



US00D376733S

United States Patent [19]

Bellisario

[11] Patent Number: **Des. 376,733**

[45] Date of Patent: ****Dec. 24, 1996**

[54] **DRINK HOLDER**

D. 337,027 7/1993 Malatok D7/619
4,195,880 4/1980 Henkhaus 297/188.18

[76] Inventor: **Don Bellisario**, 161 North Rivermede Rd. Unit #5, Toronto, Ontario, Canada, L4K 2V3

Primary Examiner—Terry A. Wallace

[**] Term: **14 Years**

[57] **CLAIM**

The ornamental design for a drink holder, as shown and described.

[21] Appl. No.: **48,327**

[22] Filed: **Dec. 26, 1995**

DESCRIPTION

[30] **Foreign Application Priority Data**

FIG. 1 is a perspective view of a drink holder showing my new design;

Nov. 4, 1995 [CA] Canada 1995-2464

FIG. 2 is an end elevational view;

[52] **U.S. Cl.** **D7/619**

FIG. 3 is an end elevational view of the opposite side of FIG. 2;

[58] **Field of Search** D7/619, 620; 211/71, 211/74; 220/737; 248/694; 215/395, 396; 297/188.01, 188.2, 188.14, 188.18

FIG. 4 is a top plan view;

FIG. 5 is a bottom plan view;

FIG. 6 is a side view; and,

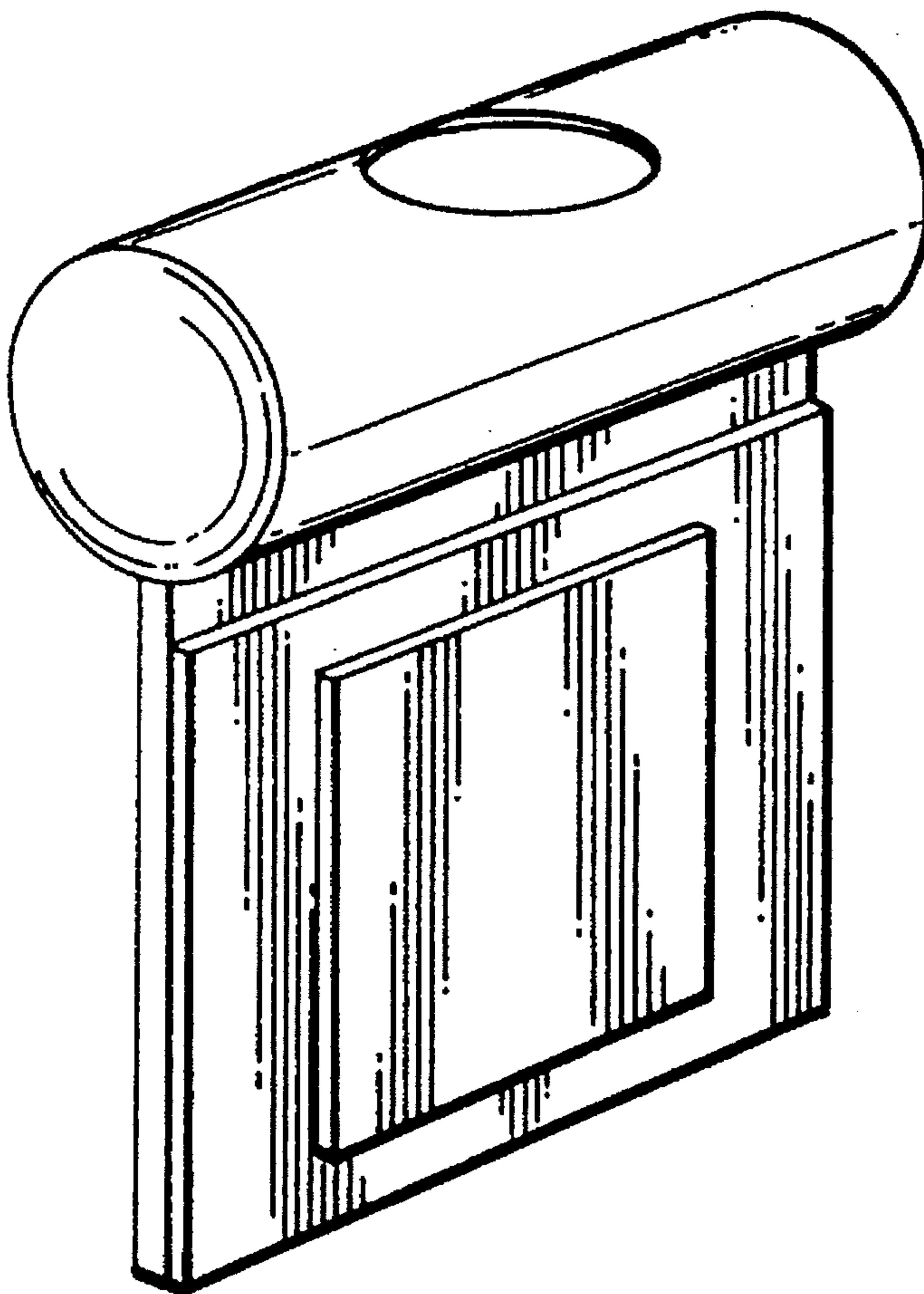
FIG. 7 is an opposite side view.

[56] **References Cited**

U.S. PATENT DOCUMENTS

D. 266,305 9/1982 Scheurer D7/605

1 Claim, 1 Drawing Sheet



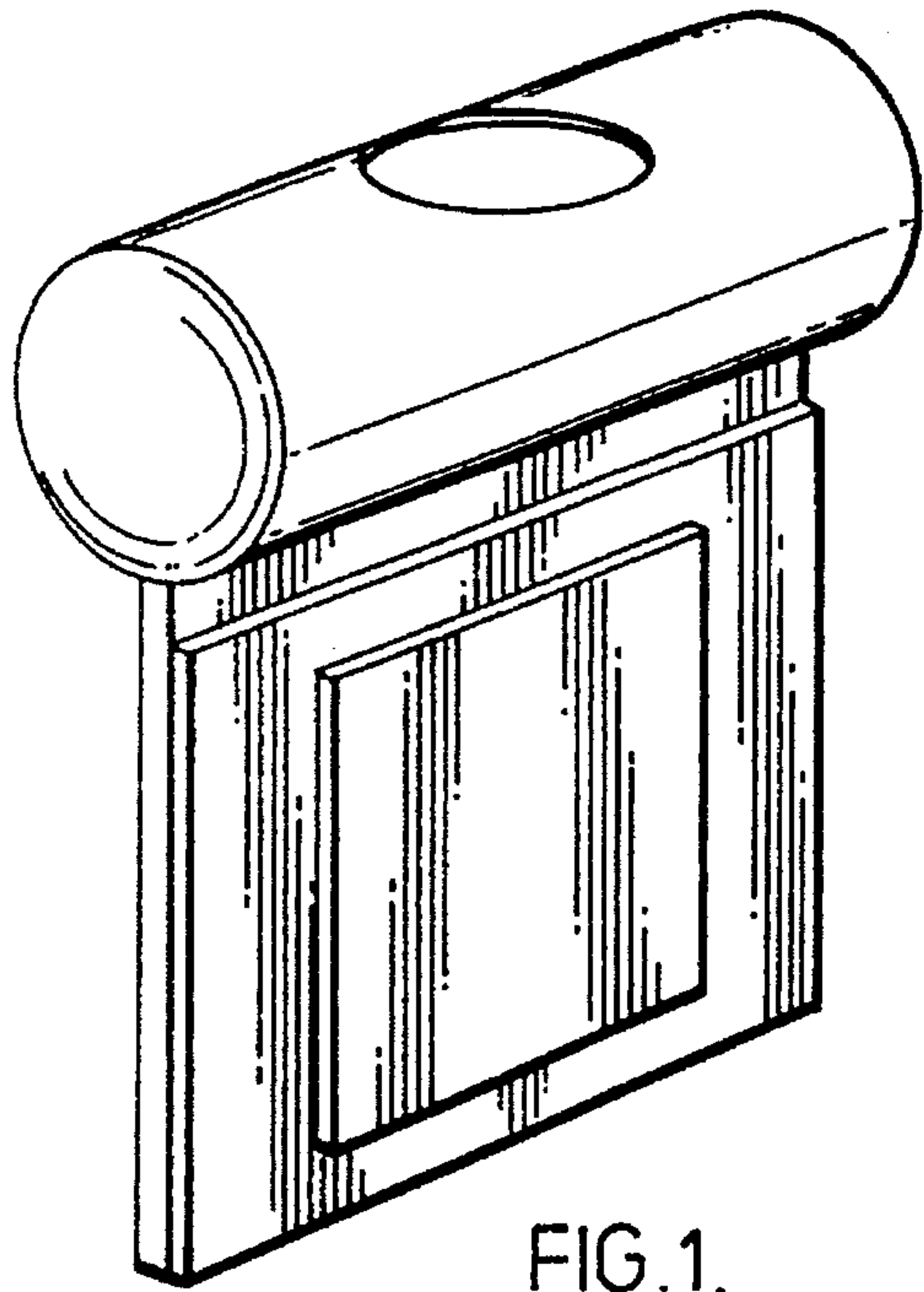


FIG. 1.

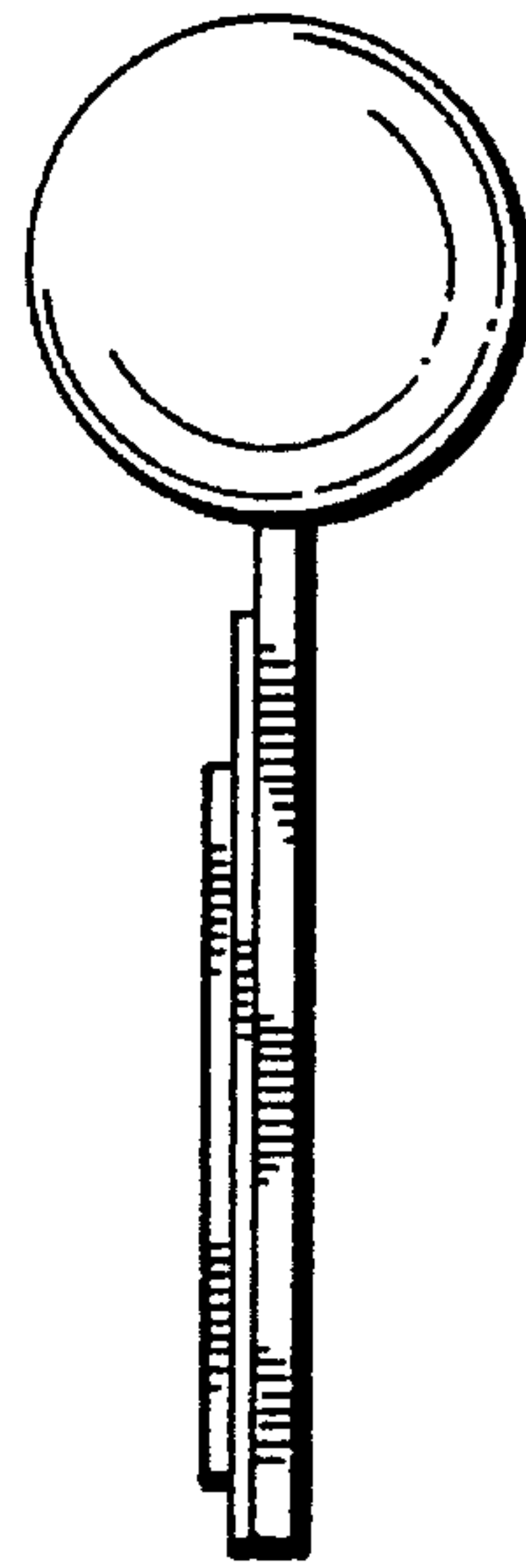


FIG. 2.

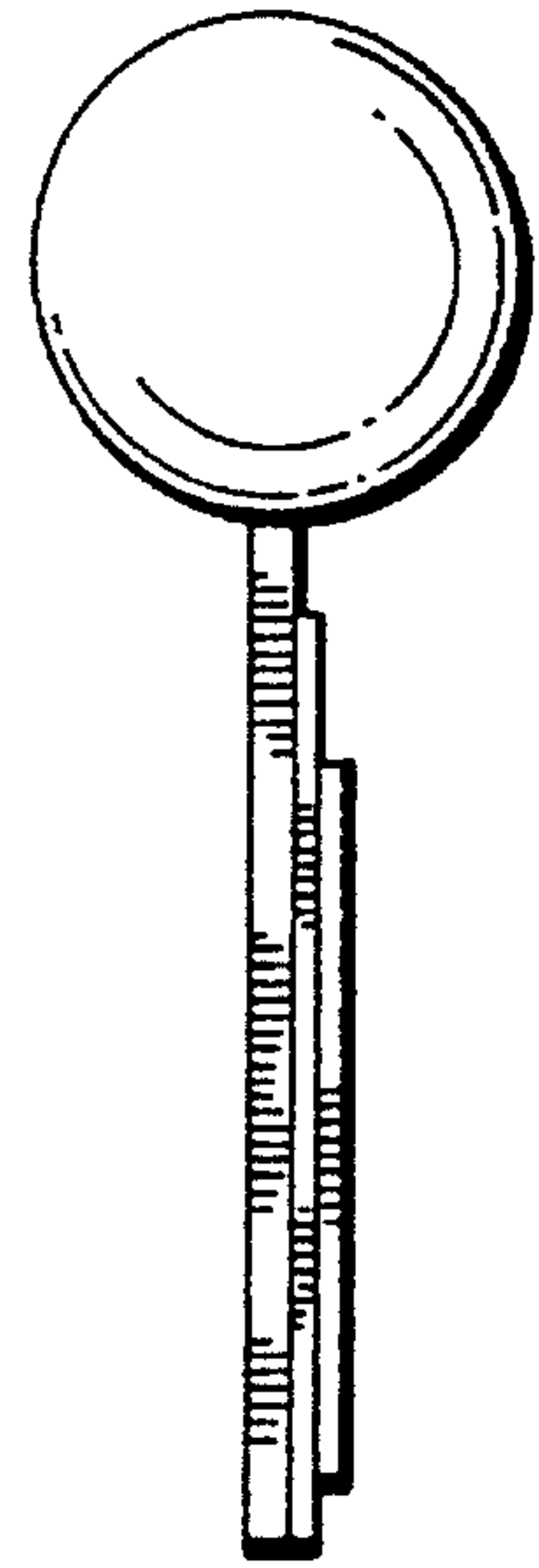


FIG. 3.

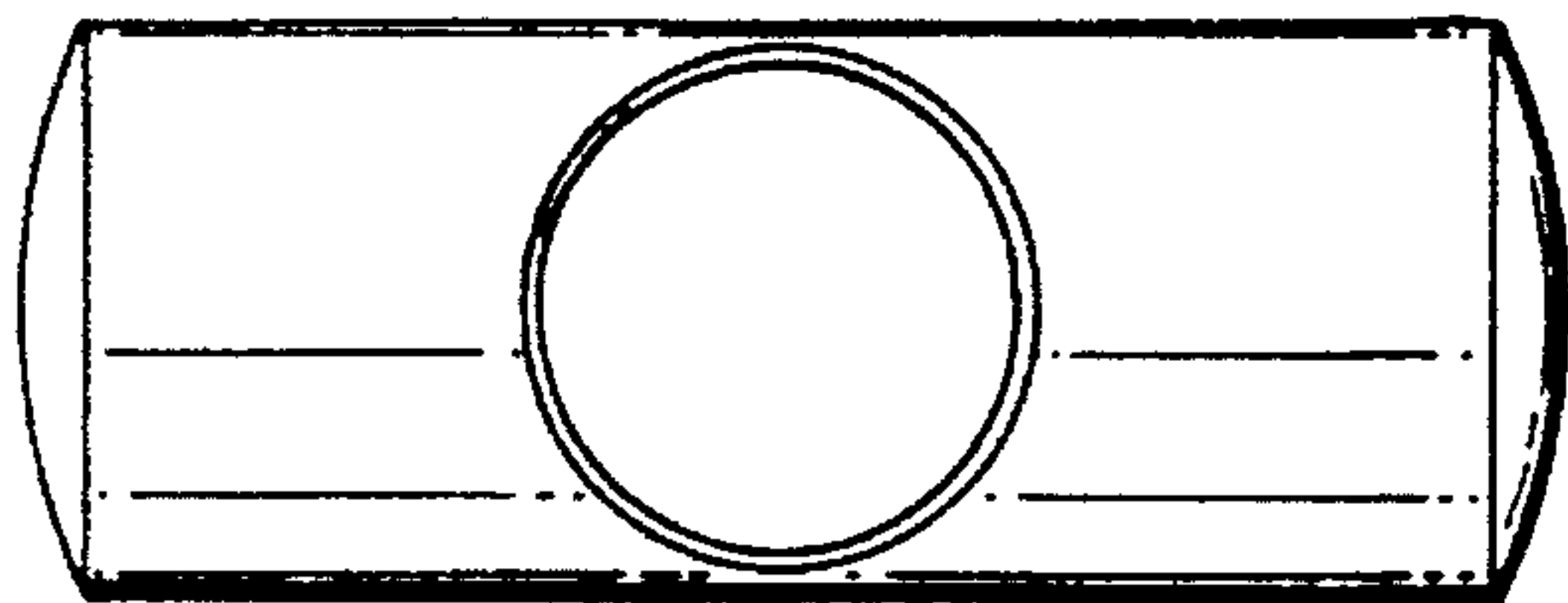


FIG. 4.

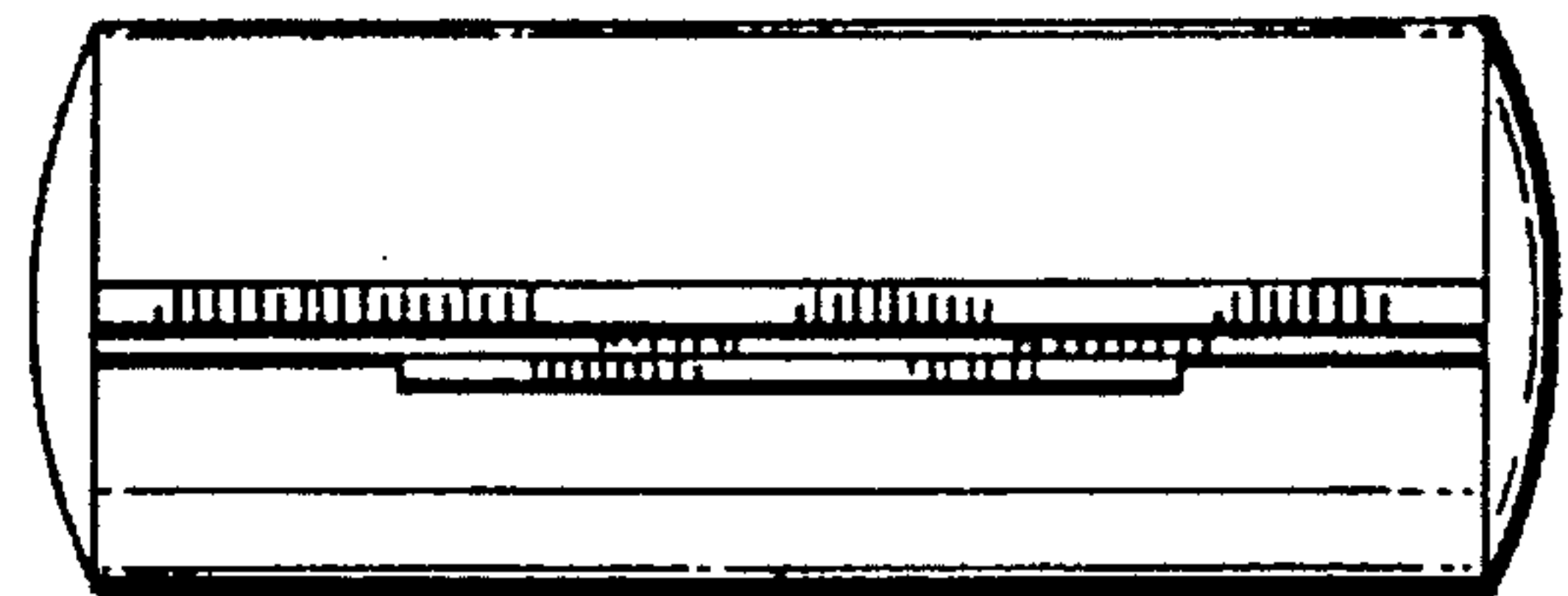


FIG. 5.

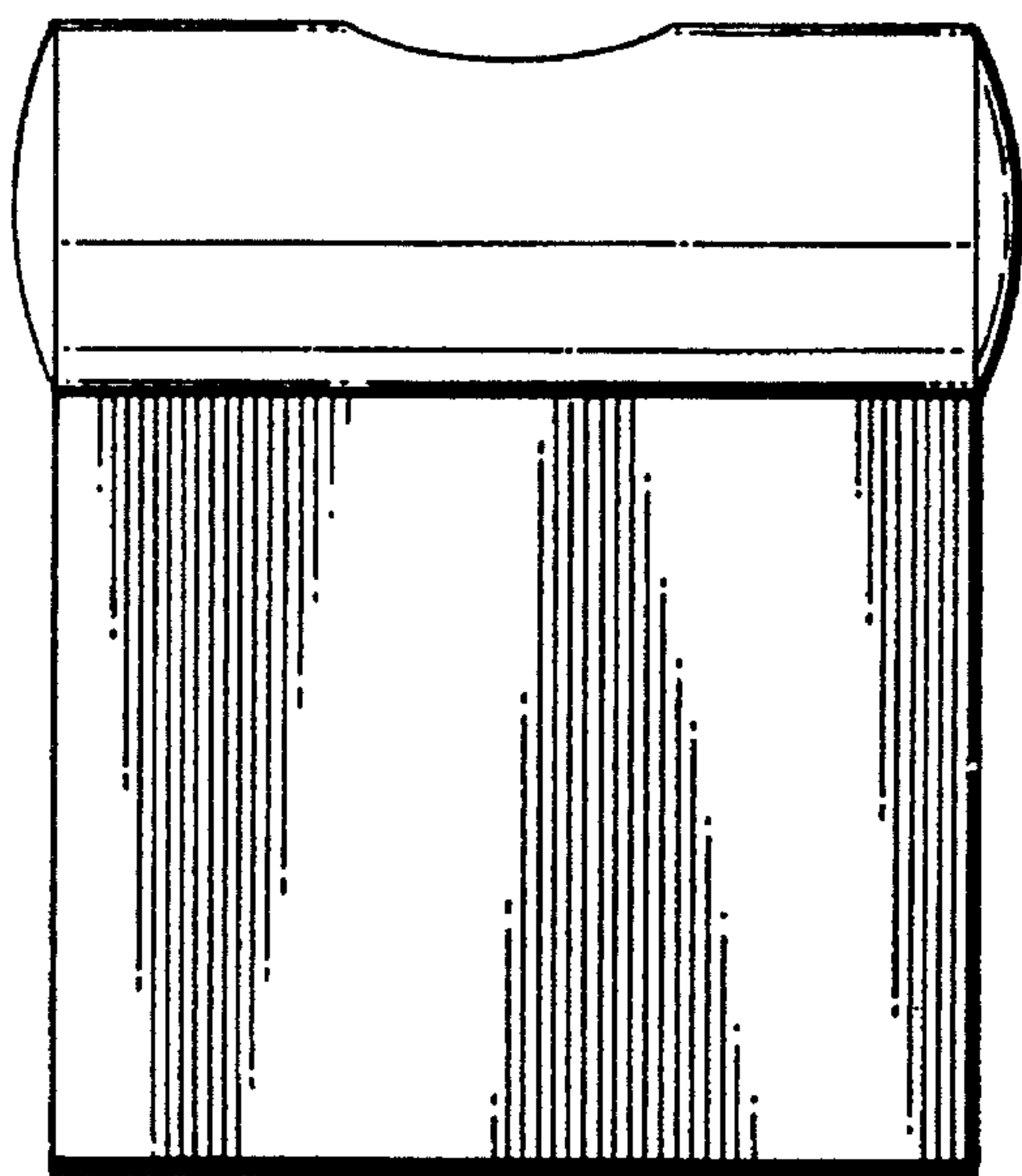


FIG. 6.

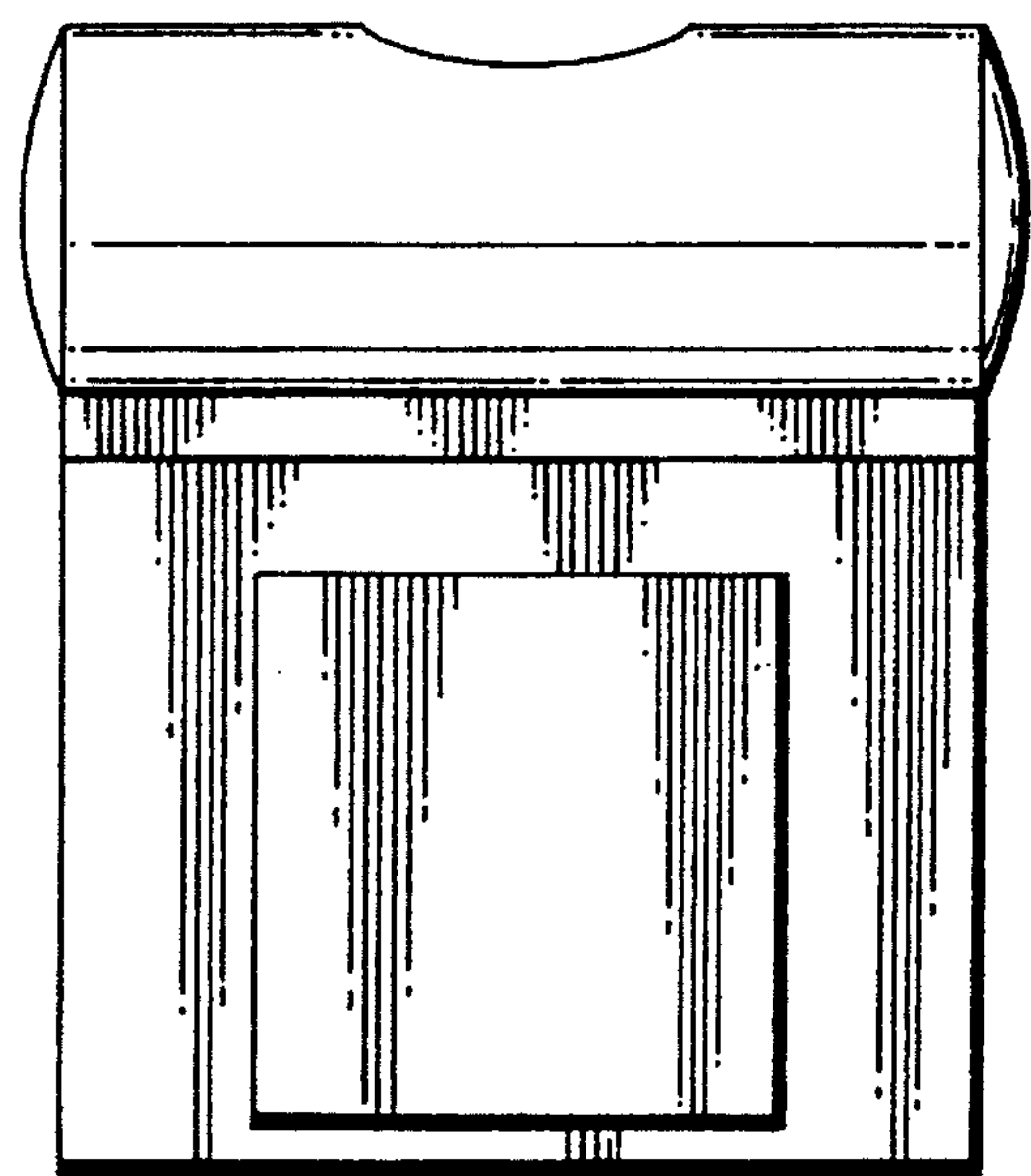


FIG. 7.