



US00D376731S

United States Patent [19]

Lin

[11] Patent Number: **Des. 376,731**

[45] Date of Patent: *****Dec. 24, 1996**

[54] MUG

[75] Inventor: **Rick Lin**, Tainan, Taiwan

[73] Assignee: **Juei Chywan Enterprise Co., Ltd.**,
Tainan, Taiwan

[*] Notice: The portion of the term of this patent subsequent to Apr. 30, 2010, has been disclaimed.

[**] Term: **14 Years**

[21] Appl. No.: **40,160**

[22] Filed: **Jun. 12, 1995**

[52] U.S. Cl. **D7/536; D7/529; D7/533**

[58] Field of Search D7/505, 507, 509,
D7/510, 511, 514, 515, 529, 523, 532,
534, 535, 536, 516, 623, 319, 622, 317,
533; D9/307; 215/387, 396

[56] **References Cited**

U.S. PATENT DOCUMENTS

D. 10,688	5/1878	Smith	D7/535 X
D. 42,612	6/1912	Sanford	D7/317
D. 75,525	7/1927	Sebring	D7/535
D. 90,120	6/1933	McNash	D7/523

D. 94,100	12/1934	Spear	D7/523
D. 108,957	3/1938	Kelly	D7/532
D. 276,488	11/1984	Durand	D7/535
3,495,736	2/1970	Ragetti	D7/529 X

OTHER PUBLICATIONS

Glass (center bottom) Gift and Act Buyer May 1940. p. 25.
No. 3530 Mug by Monangah Glass Co. Apr. 1, 1920 p. 66
Catalog.

Primary Examiner—M. N. Pandozzi
Attorney, Agent, or Firm—Morton J. Rosenberg; David I. Klein

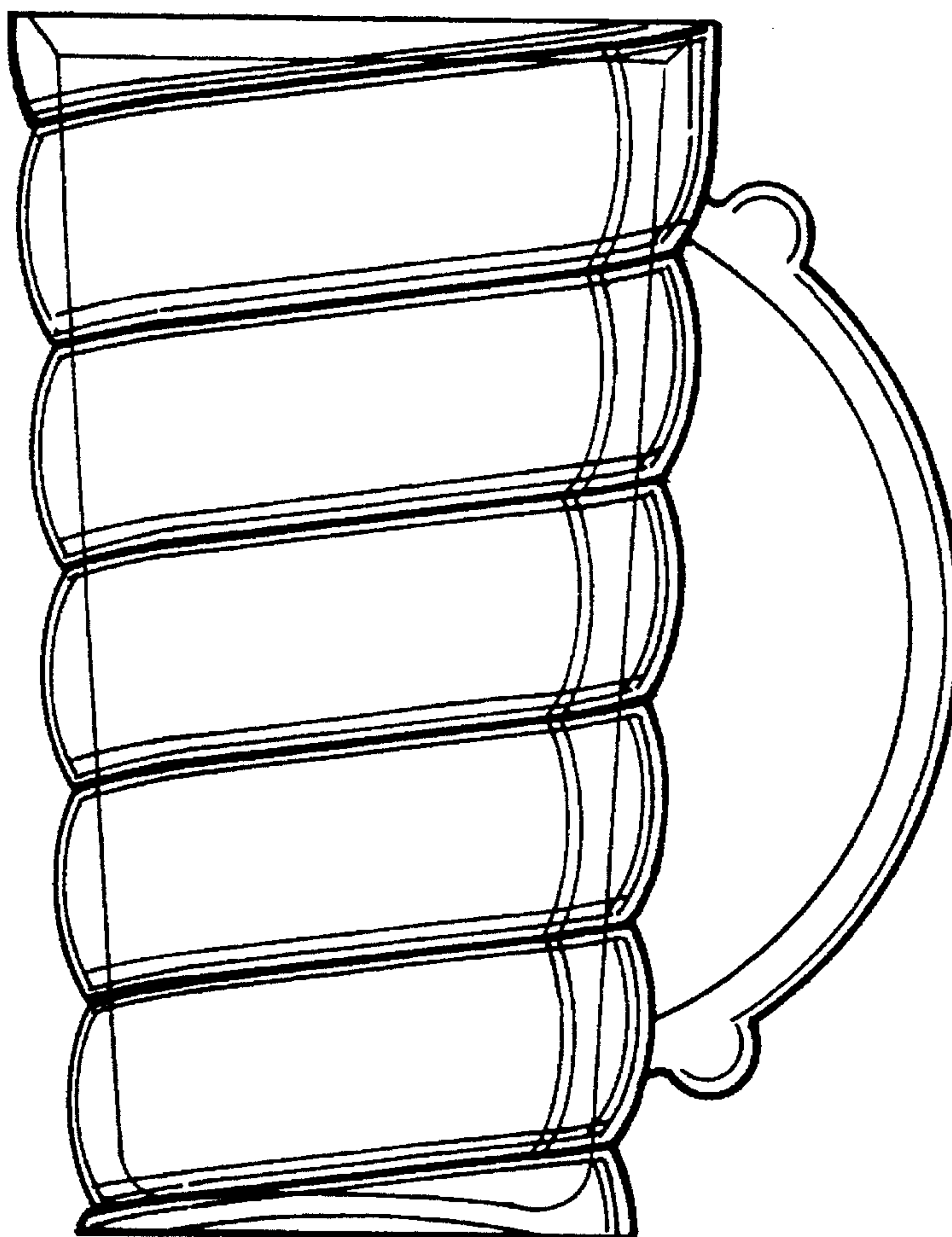
[57] **CLAIM**

The ornamental design for a mug, as shown and described.

DESCRIPTION

FIG. 1 is a perspective view of a mug showing my new design;
FIG. 2 is a front elevational view thereof;
FIG. 3 is a rear elevational view thereof;
FIG. 4 is a left side elevational view thereof;
FIG. 5 is a right side elevational view thereof;
FIG. 6 is a top plan view thereof; and,
FIG. 7 is a bottom plan view thereof.

1 Claim, 4 Drawing Sheets



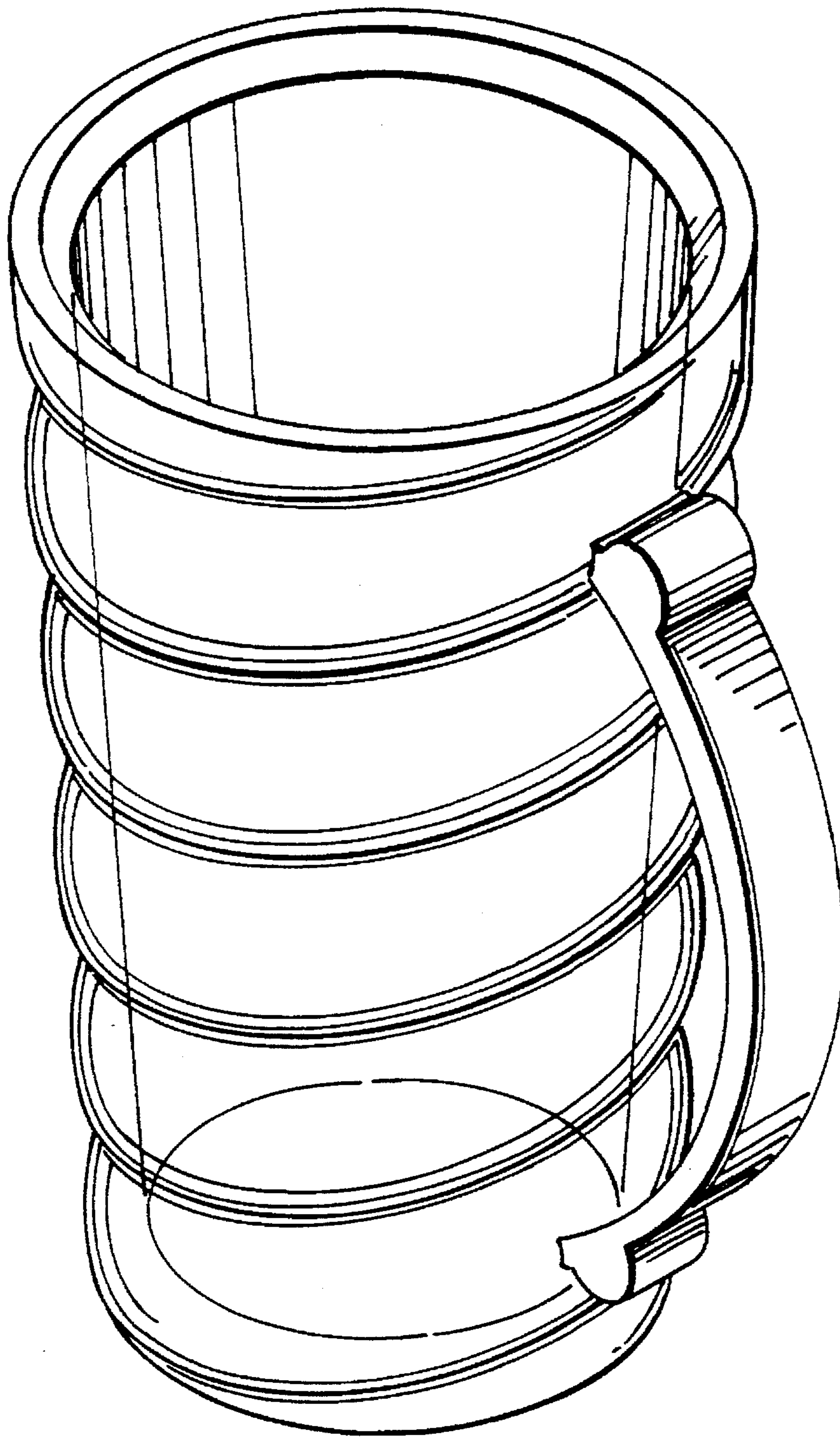


FIG. 1

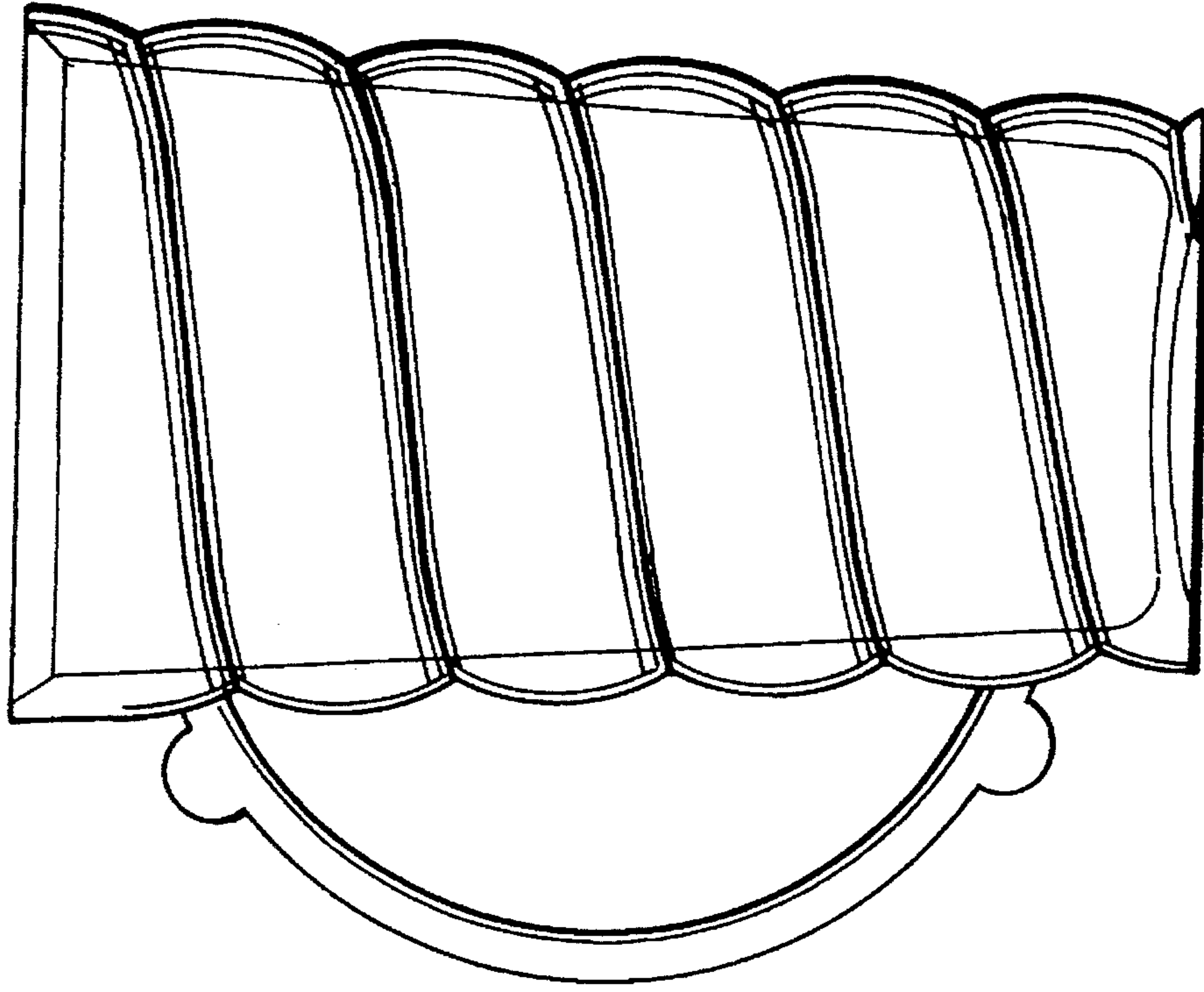


FIG. 3

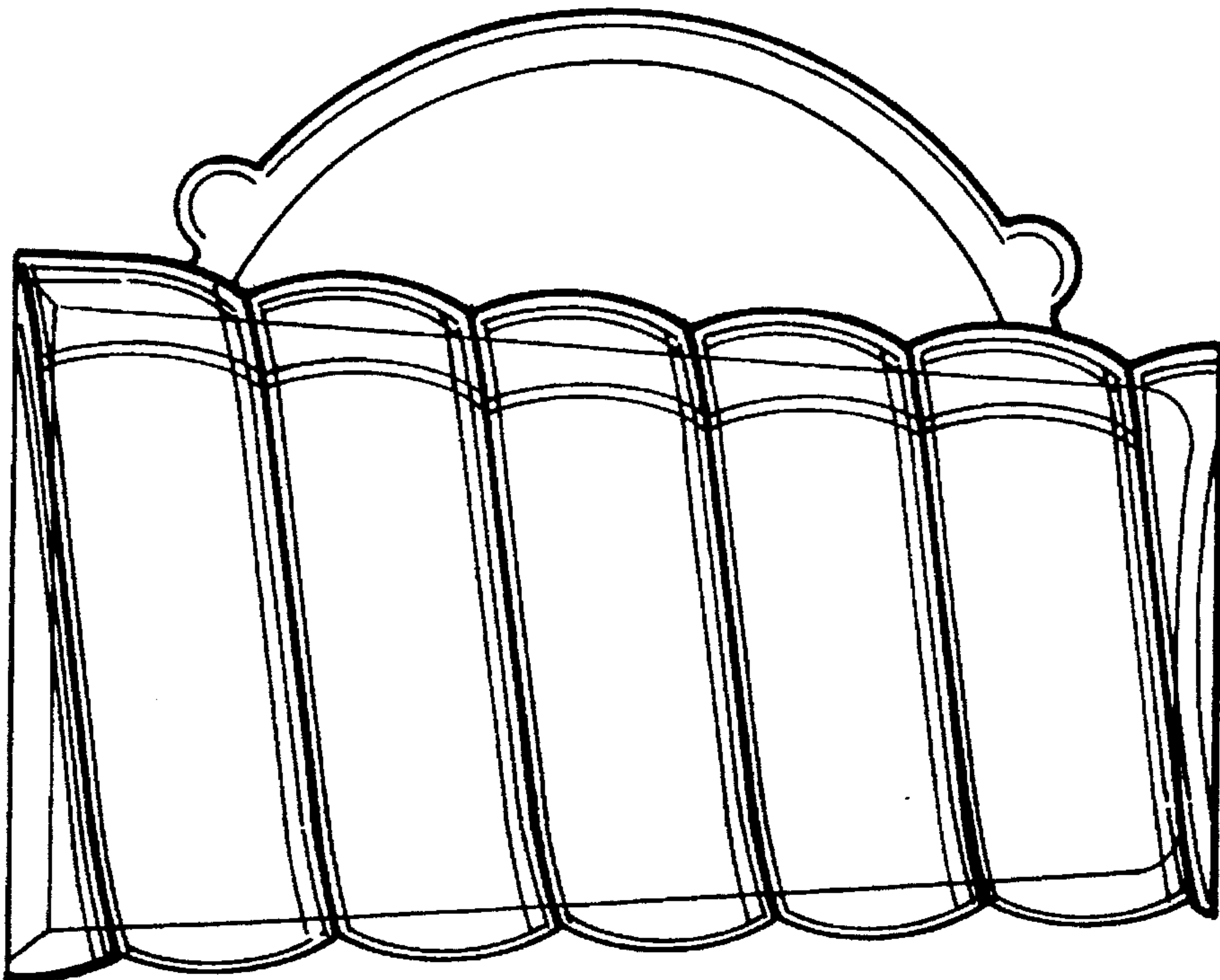


FIG. 2

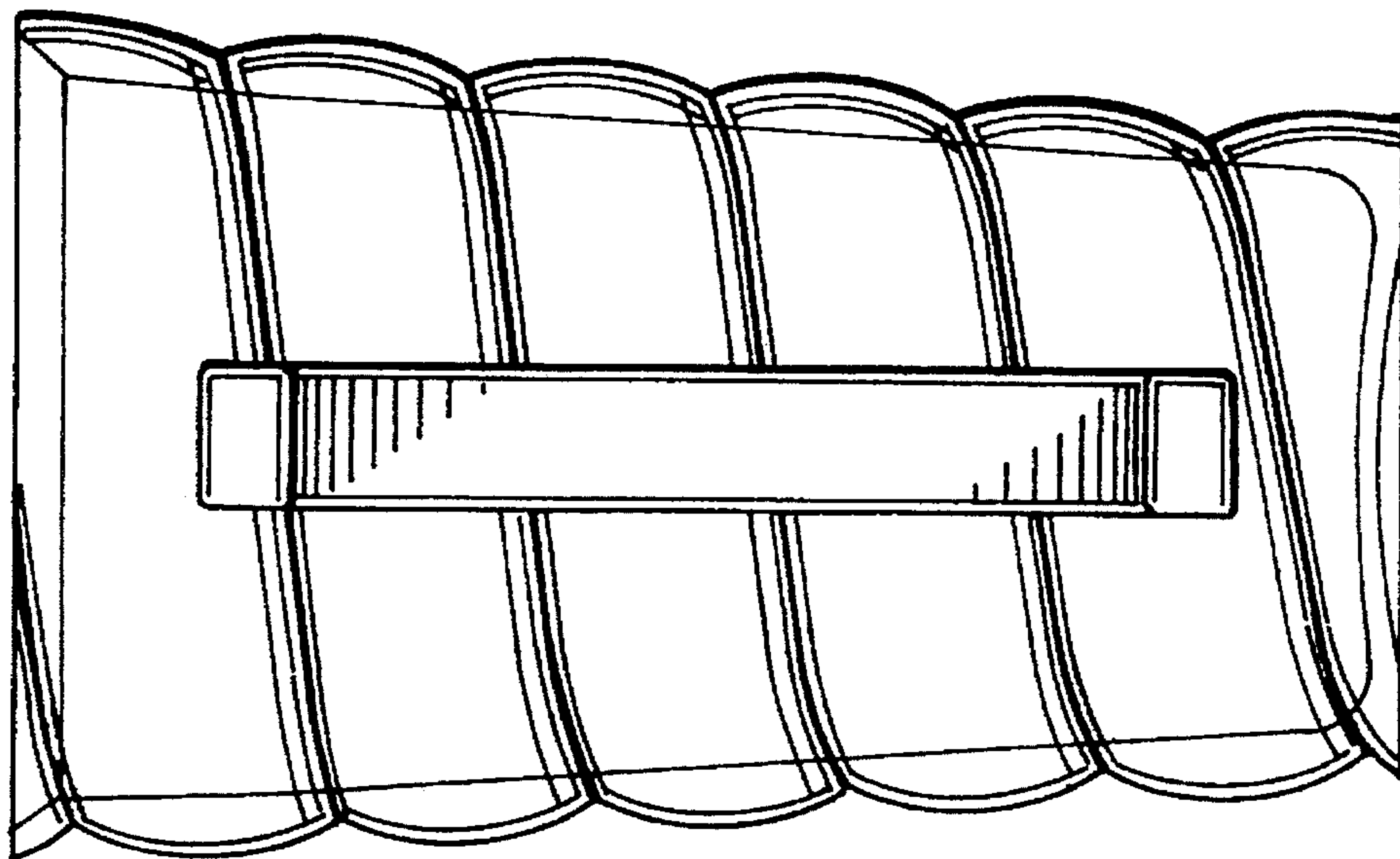


FIG. 5

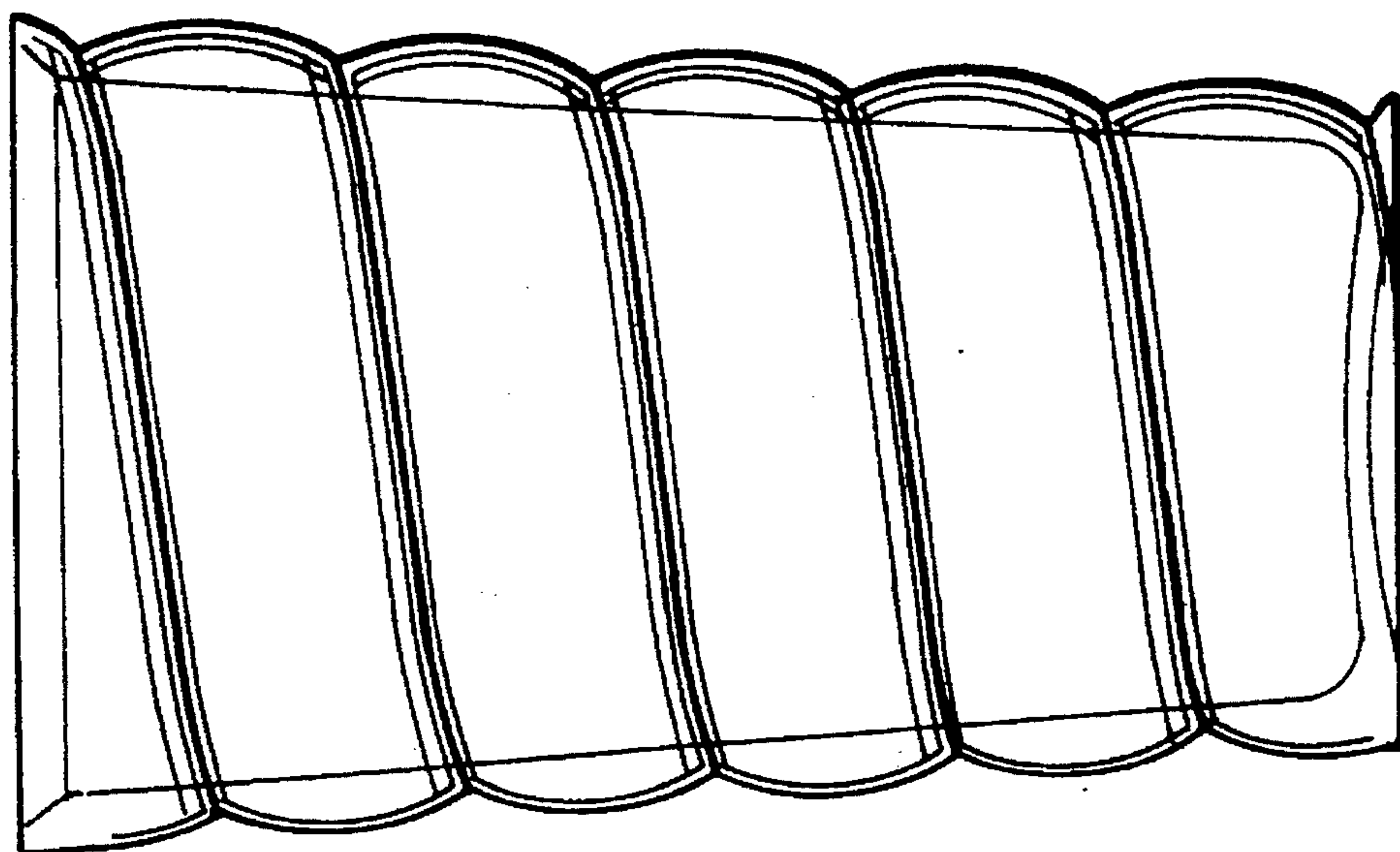


FIG. 4

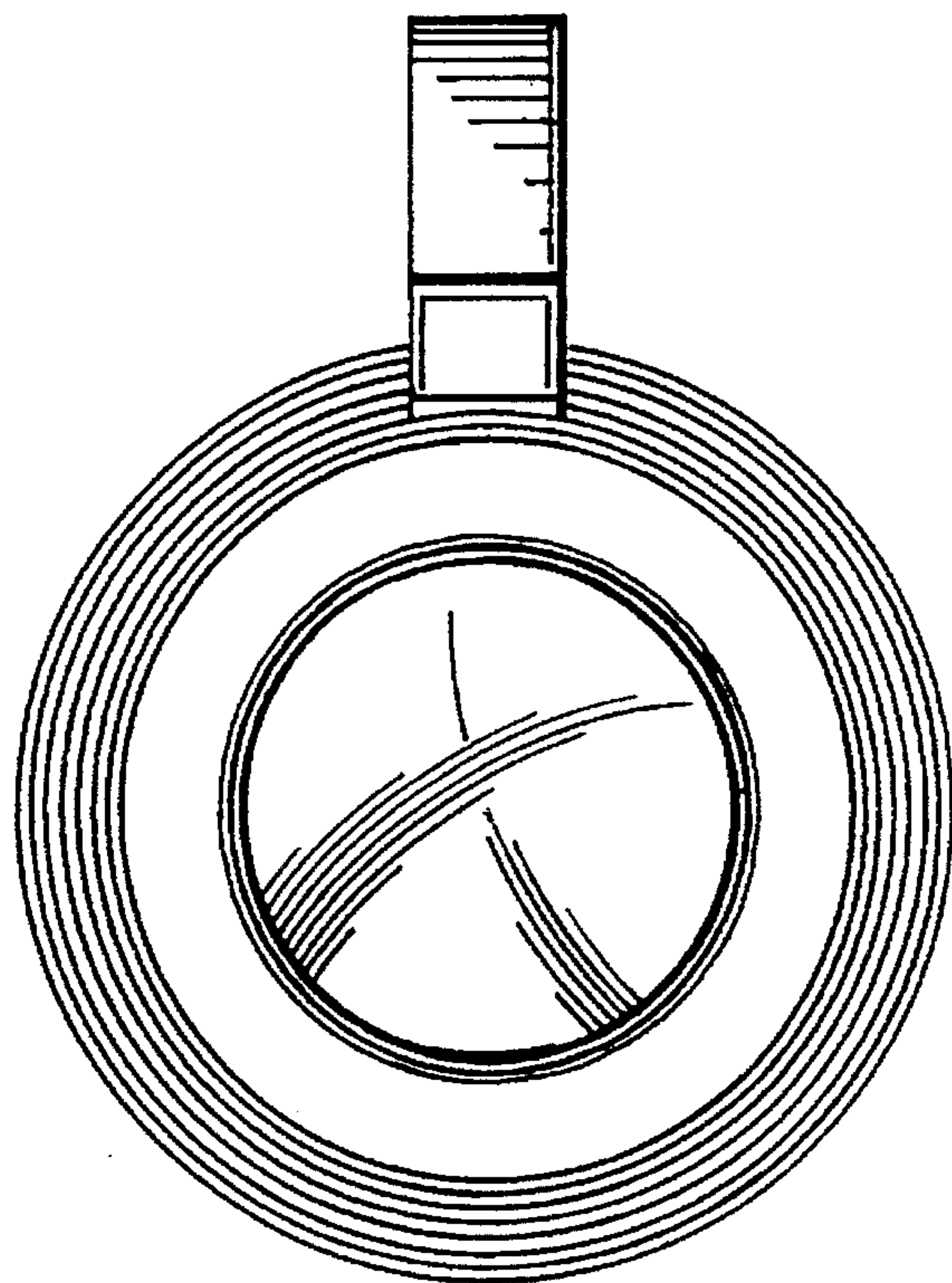


FIG. 7

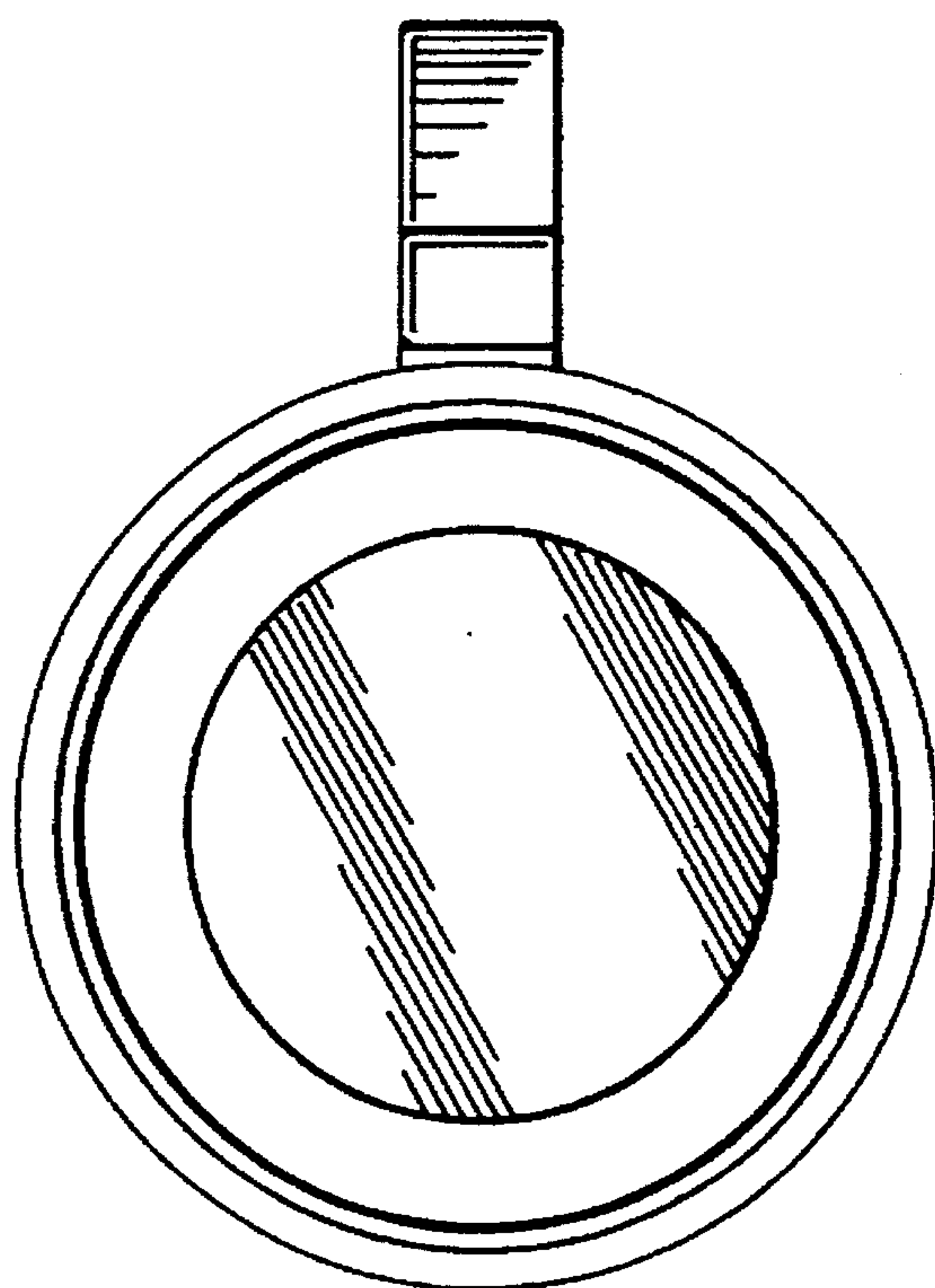


FIG. 6

UNITED STATES PATENT AND TRADEMARK OFFICE
CERTIFICATE OF CORRECTION

PATENT NO. : D376,731

DATED : December 24, 1996

INVENTOR(S) : RICK LIN

It is certified that error appears in the above-identified patent and that said Letters Patent is hereby corrected as shown below:

On the title page, item [73], delete "Chywan" and insert --Chyuan--.

Signed and Sealed this

Eighteenth Day of February, 1997

Attest:



BRUCE LEHMAN

Attesting Officer

Commissioner of Patents and Trademarks