



US00D376730S

United States Patent [19]

[11] Patent Number: **Des. 376,730**

Hurst et al.

[45] Date of Patent: ****Dec. 24, 1996**

[54] **DRINK CONTAINER**

[75] Inventors: **Dwayne S. Hurst**, Tampa; **Charles B. Williams**, Odessa, both of Fla.

[73] Assignee: **Palomino Sports, Inc.**, Odessa, Fla.

[*] Notice: The portion of the term of this patent subsequent to Aug. 20, 2010, has been disclaimed.

[**] Term: **14 Years**

[21] Appl. No.: **18,535**

[22] Filed: **Feb. 9, 1994**

[52] U.S. Cl. **D7/515; D7/514; D9/307**

[58] Field of Search D7/507, 509, 510, D7/511, 515, 514, 536, 533, 559, 563, 564, 613, 623, 517; D27/120, 118; D9/572, 309, 573, 307; D11/82, 81; D24/198, 197; 220/758

[56] **References Cited**

U.S. PATENT DOCUMENTS

D. 37,298	1/1905	Maddock	D7/511
D. 196,375	9/1963	Fradette	D7/511
D. 228,328	9/1973	Schley	D7/315 X
D. 249,918	10/1978	Block et al.	D7/514
D. 287,766	1/1987	Simmons	D24/198
D. 297,389	8/1988	Demaree	D7/511

D. 315,298	3/1991	Marucci	D7/536 X
D. 340,074	10/1993	Turner	D9/307 X
D. 340,076	10/1993	Turner	D9/307 X
4,691,824	9/1987	Schindler	220/758 X

OTHER PUBLICATIONS

Baseball Mug, Family Weekly Dec. 29, 1974, p. 6 Magazine Section from Wash Star News.
Sport Mug (Basketball) Taylor Gifts 1986 p. 92.
Sport Memo Holder, Shopping w/Walter Drake catalog Dec. 1991.

Primary Examiner—M. N. Pandozzi
Attorney, Agent, or Firm—C. Douglas McDonald, Jr. & Associates, P.A.

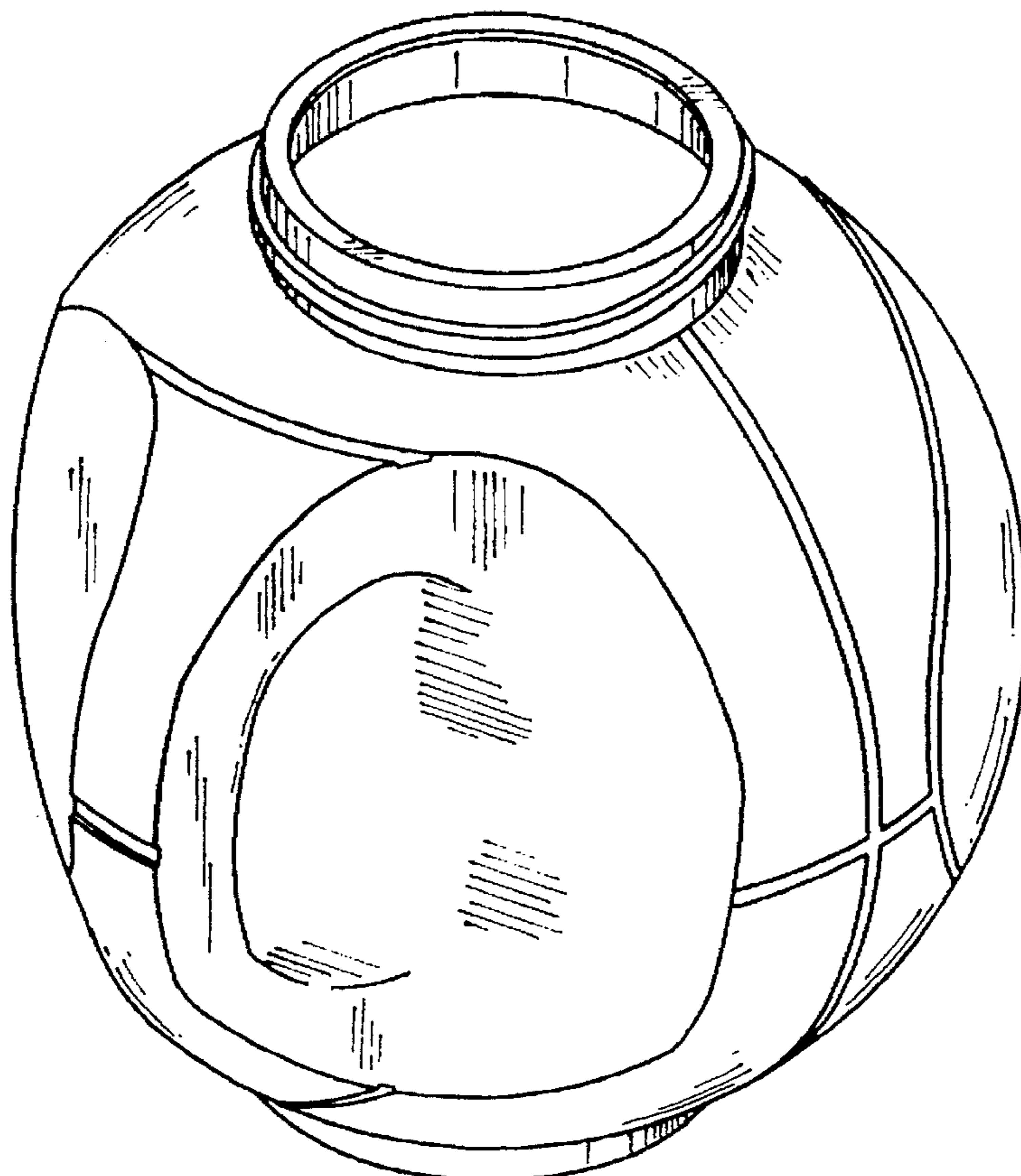
[57] **CLAIM**

The ornamental design for a drink container, as shown.

DESCRIPTION

FIG. 1 is an upper rear perspective view of the drink container of this invention;
FIG. 2 is a rear elevational view thereof;
FIG. 3 is a front elevational view thereof;
FIG. 4 is a left elevational view thereof;
FIG. 5 is a right elevational view thereof;
FIG. 6 is a top plan view thereof; and,
FIG. 7 is a bottom plan view thereof.

1 Claim, 4 Drawing Sheets



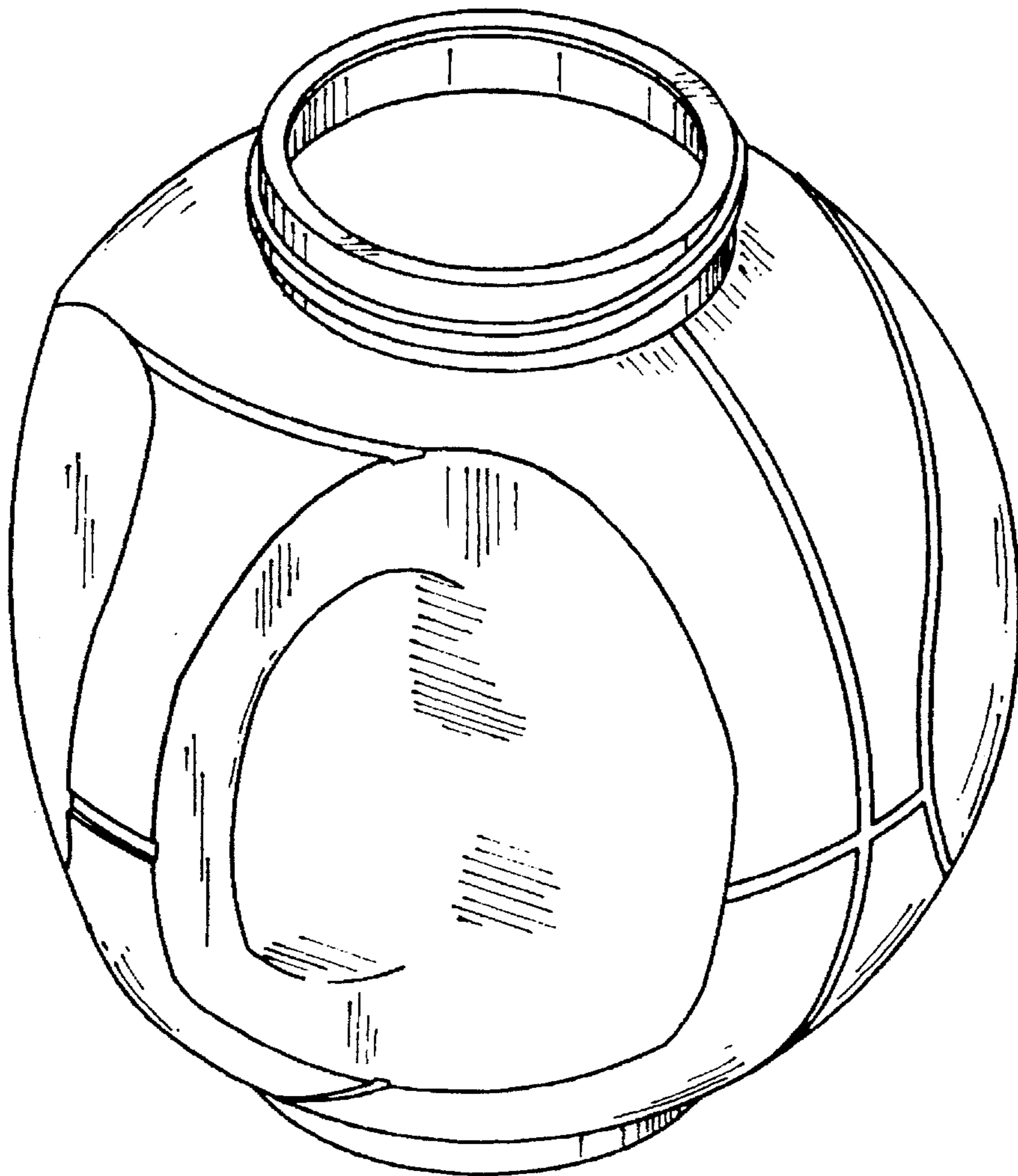


Fig. 1

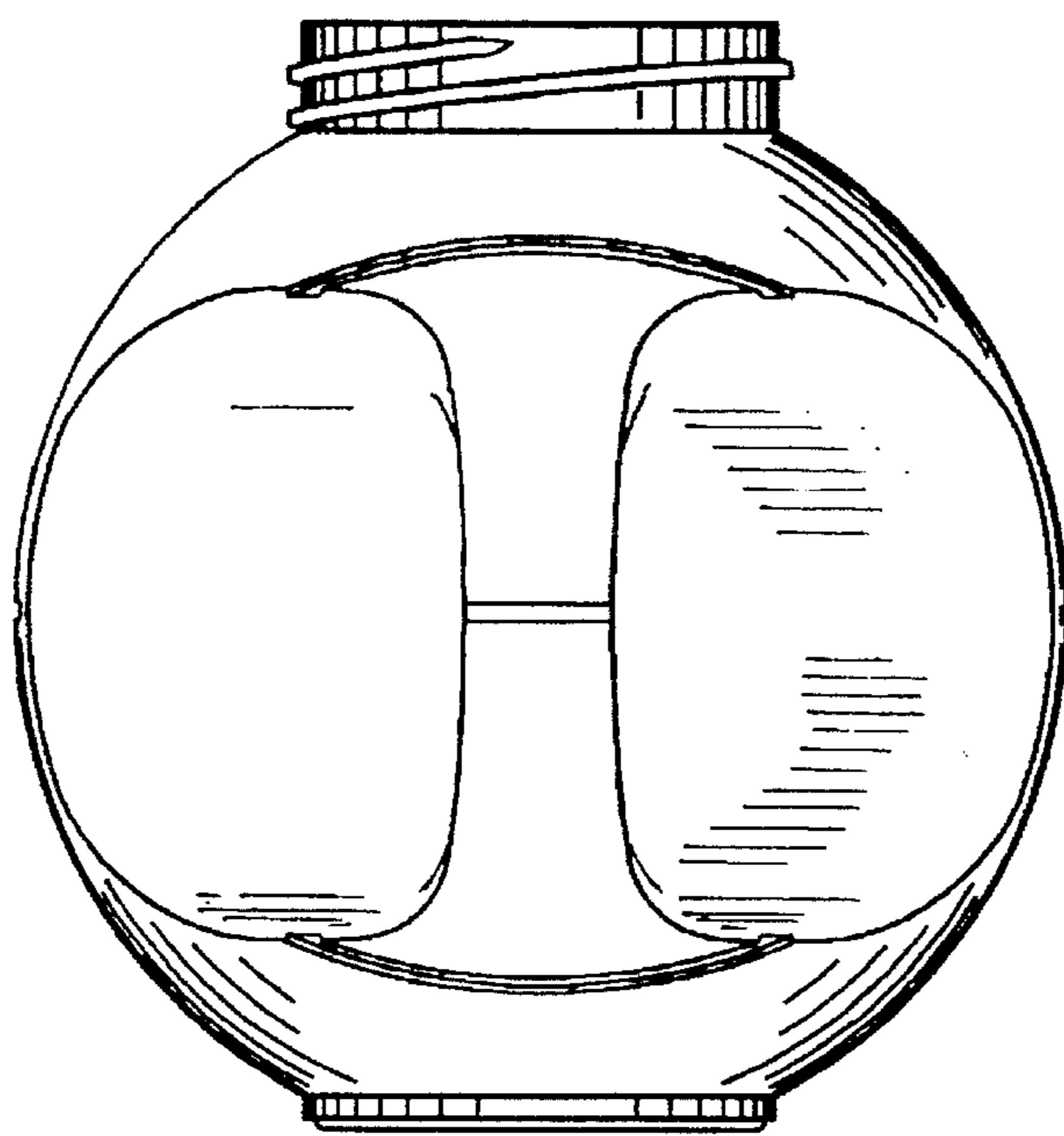


Fig. 2

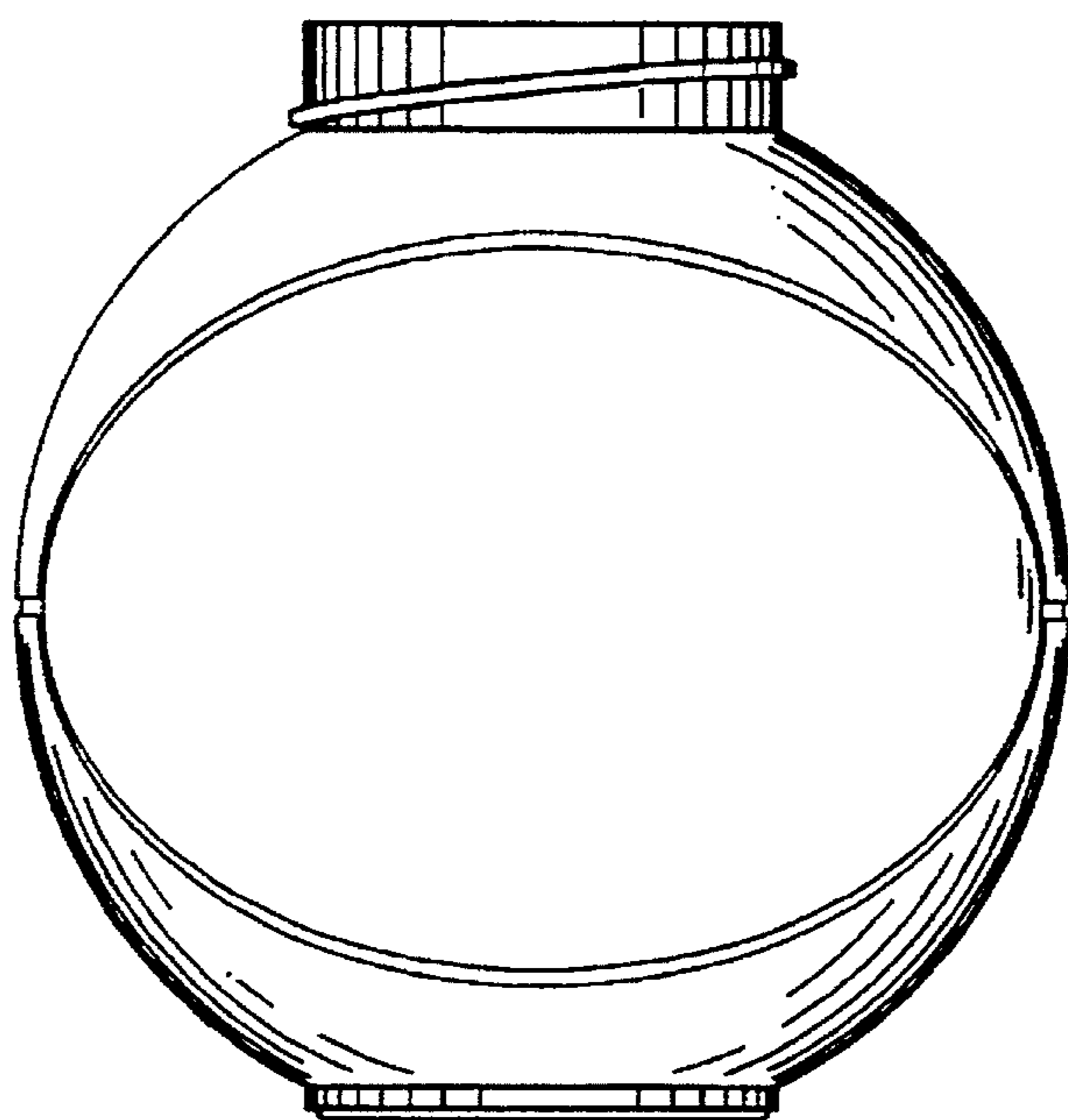


Fig. 3

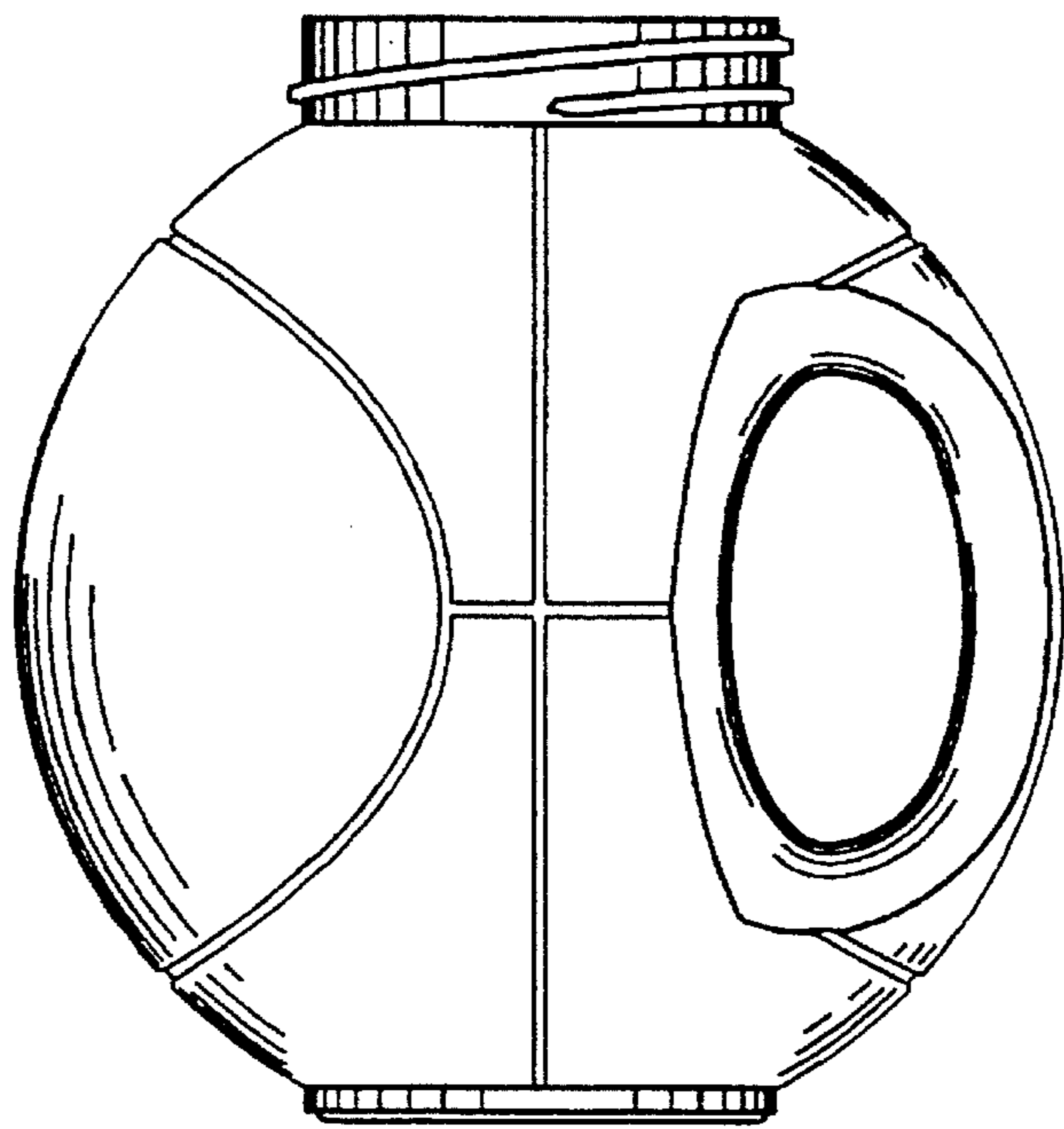


Fig. 4

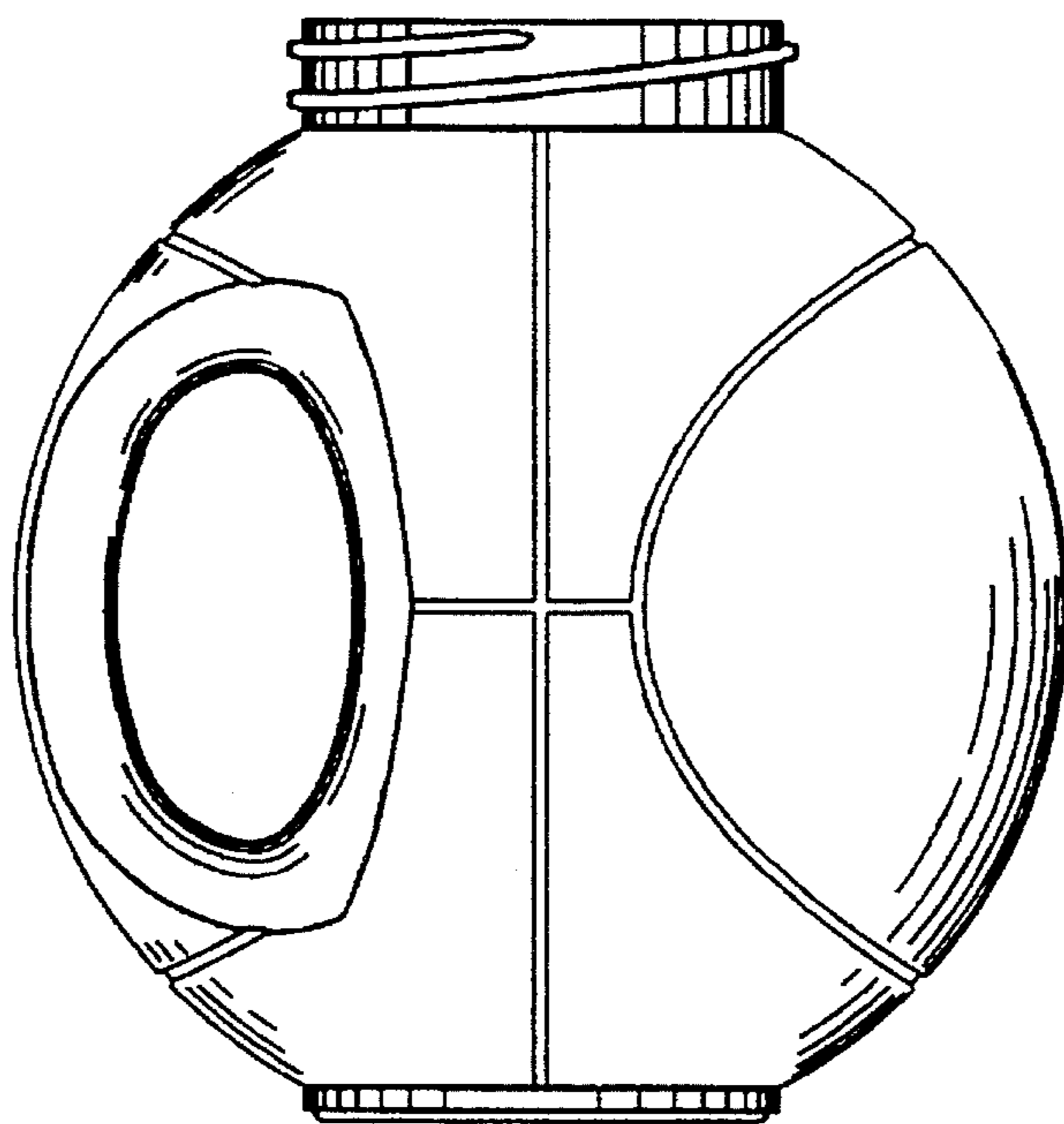


Fig. 5

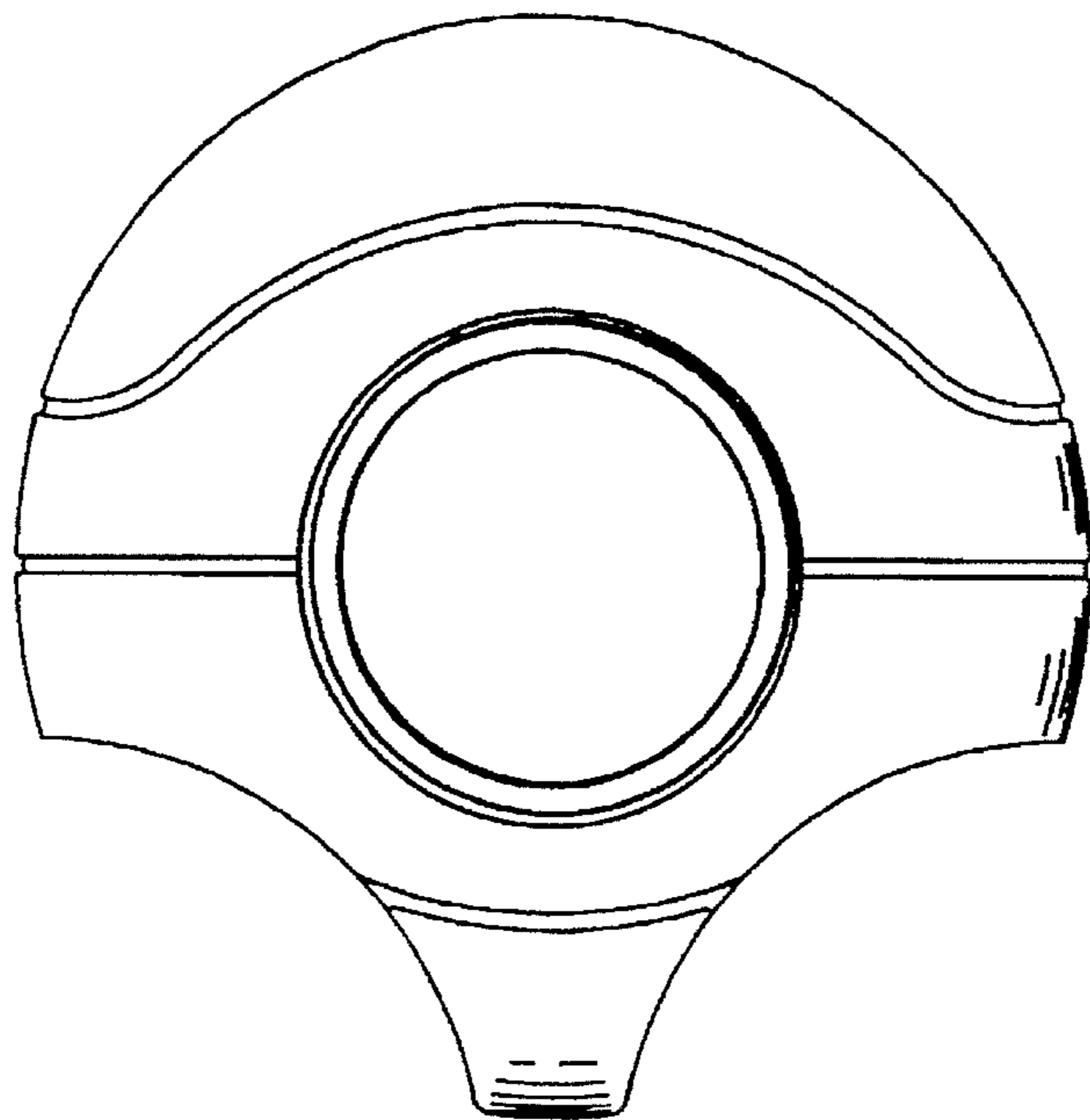


Fig. 6

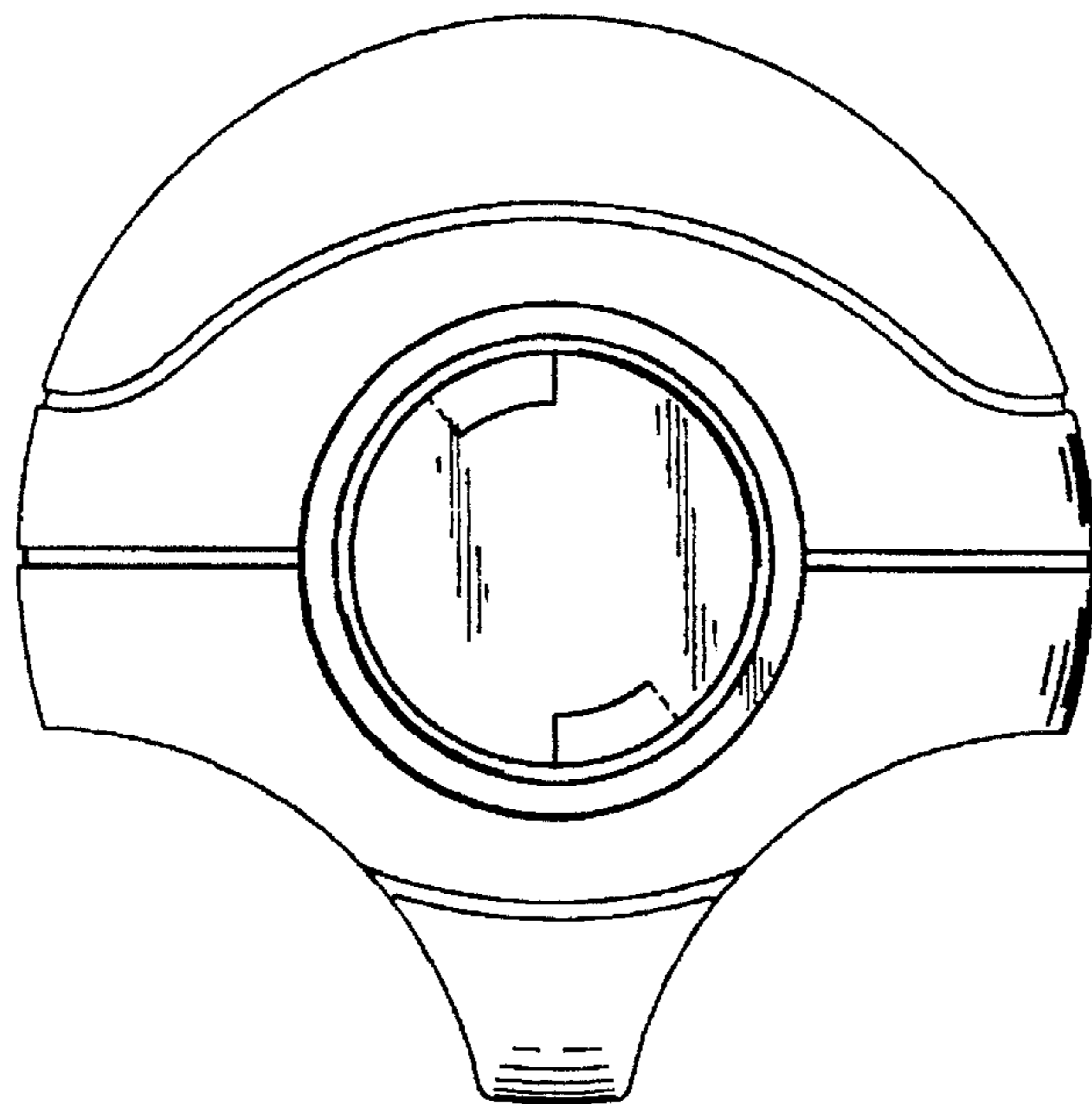


Fig. 7