



US00D376728S

United States Patent [19]

Richards, Sr. et al.

[11] Patent Number: **Des. 376,728**

[45] Date of Patent: ****Dec. 24, 1996**

[54] BEVERAGE CUP

[76] Inventors: **Theodore N. Richards, Sr.; Emily G. Richards**, both of Rear 38, W. Enterprise St., Glen Lyon, Pa. 18617

[**] Term: **14 Years**

[21] Appl. No.: **31,987**

[22] Filed: **Dec. 12, 1994**

[52] U.S. Cl. **D7/507; D7/511; D7/536**

[58] Field of Search **D7/505, 507, 509, D7/510, 511, 514, 515, 529, 523, 532, 533, 534, 535, 536, 516, 623; 215/387, 396**

[56] **References Cited**

U.S. PATENT DOCUMENTS

D. 258,188	2/1981	Wilson	D7/507
D. 289,955	5/1987	Buist	D7/507
D. 327,818	7/1992	Haralson et al.	D7/534
D. 333,756	3/1993	Campbell	D7/307

D. 363,414	10/1995	Goto et al.	D7/511 X
D. 363,641	10/1995	Goto et al.	D7/511
4,027,779	6/1977	DeLong	D7/507 X
4,040,549	8/1977	Sadler	D7/507 X
4,127,211	11/1978	Zerbey	D7/511 X
4,523,083	6/1985	Hamilton	D7/536 X
5,029,720	7/1991	Bridges	D7/507 X

Primary Examiner—M. N. Pandozzi
Attorney, Agent, or Firm—Harold H. Dutton, Jr.; W. Charles L. Jamison; Diane F. Liebman

[57] **CLAIM**

The ornamental design for a beverage cup, as shown.

DESCRIPTION

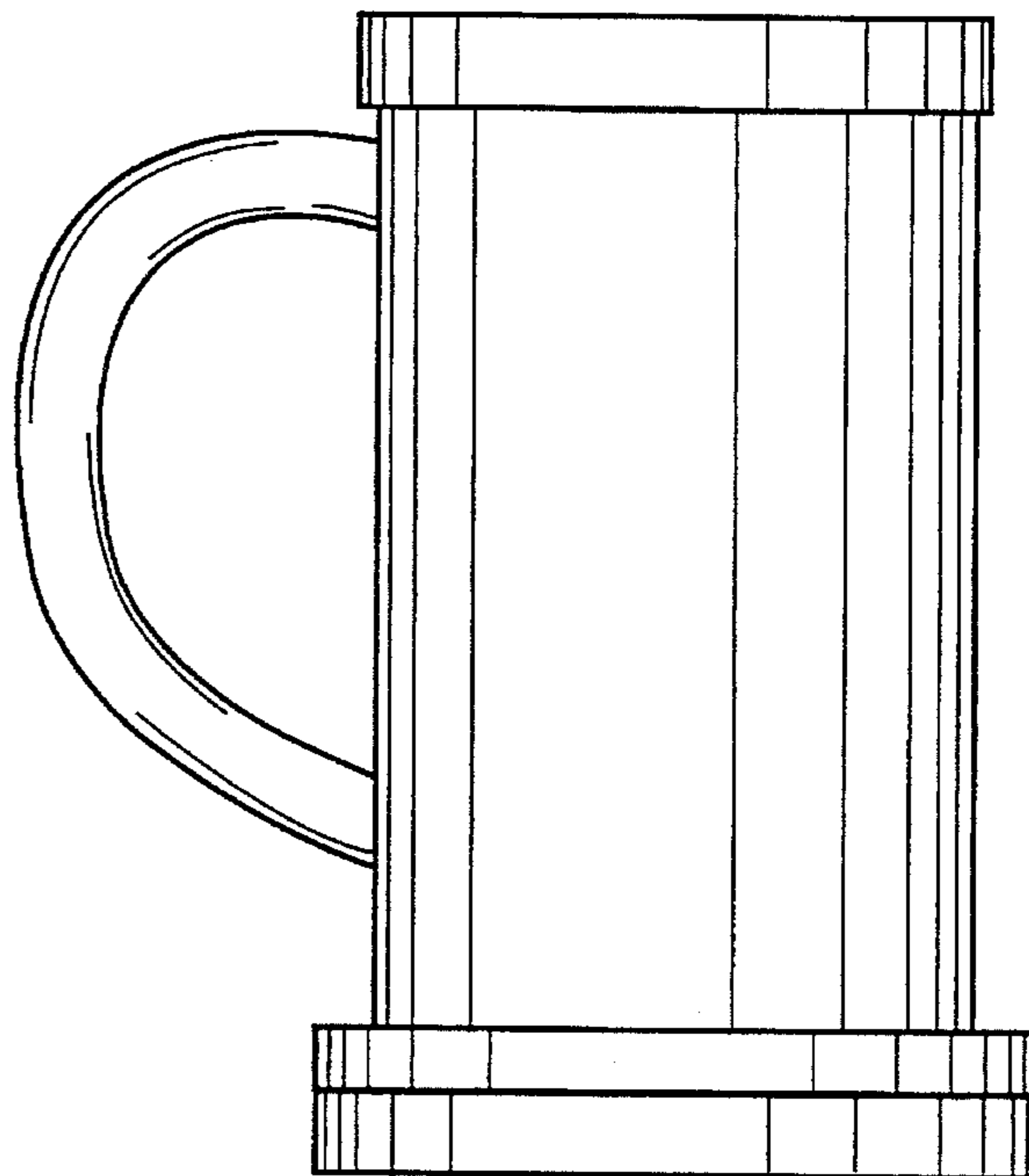
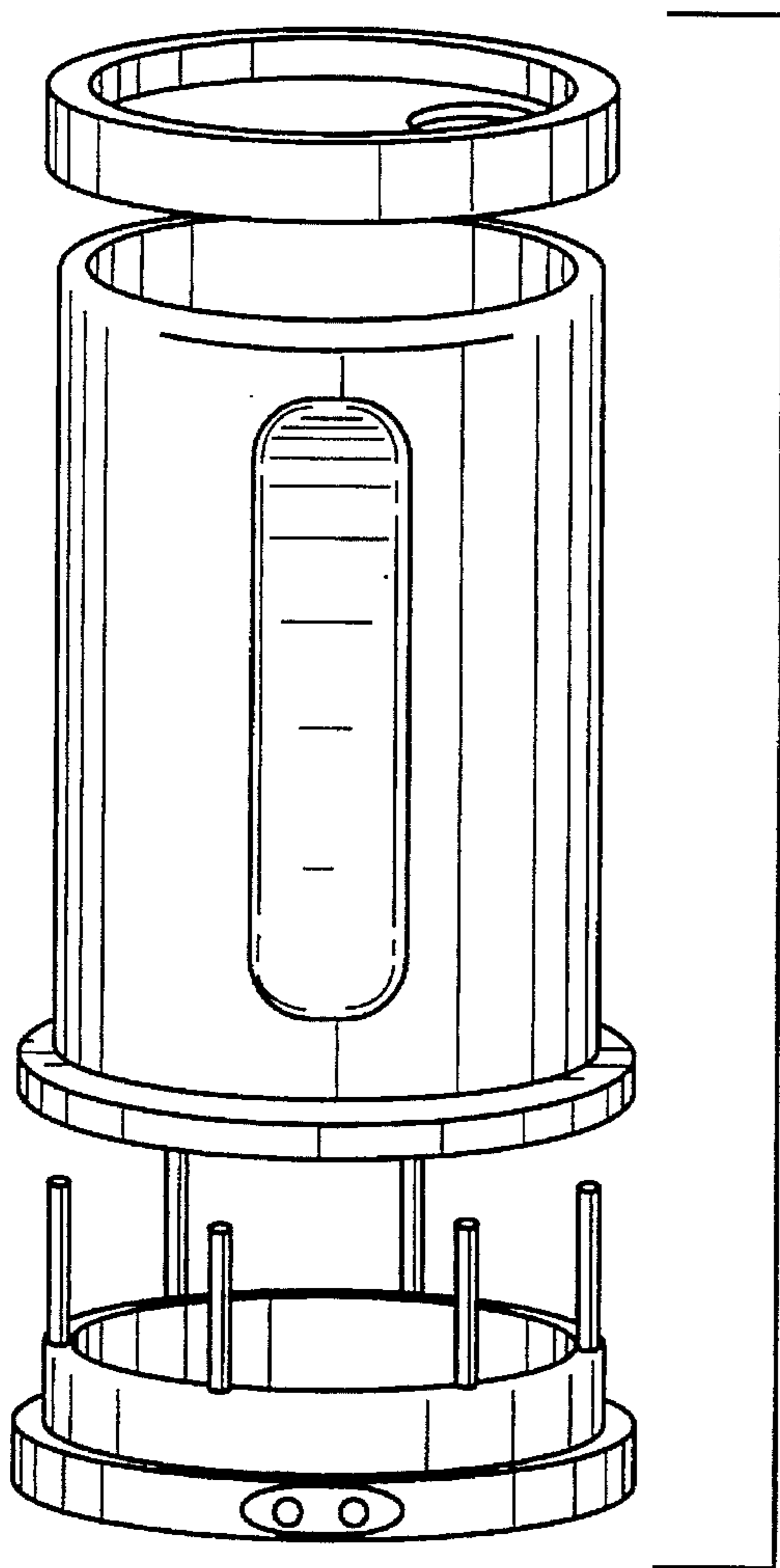
FIG. 1 is an exploded perspective view of a beverage cup showing our new design;

FIG. 2 is a front elevational view thereof;

FIG. 3 is a top plan view thereof; and,

FIG. 4 is a bottom view thereof.

1 Claim, 2 Drawing Sheets



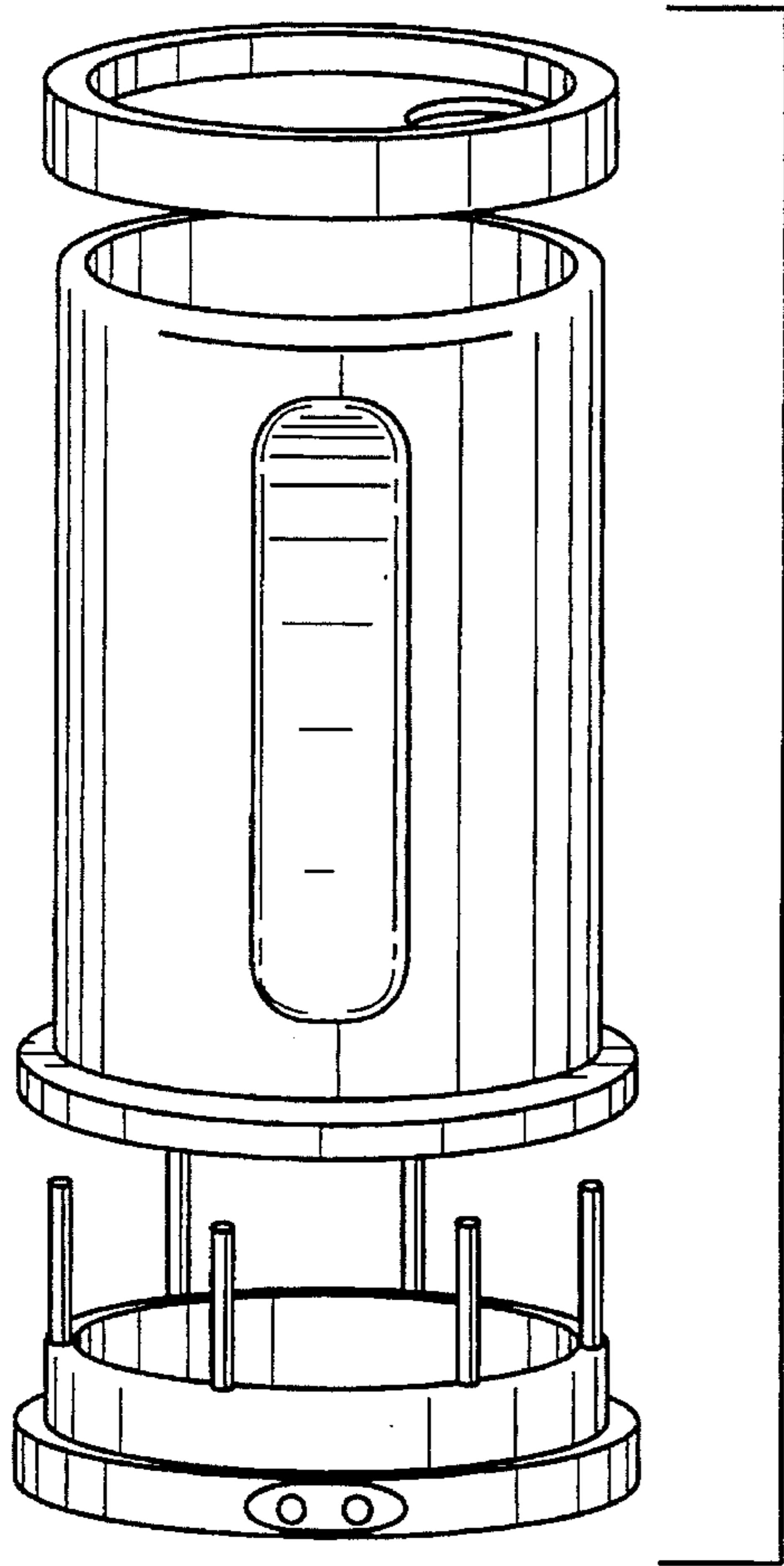


FIG. 1

FIG. 2

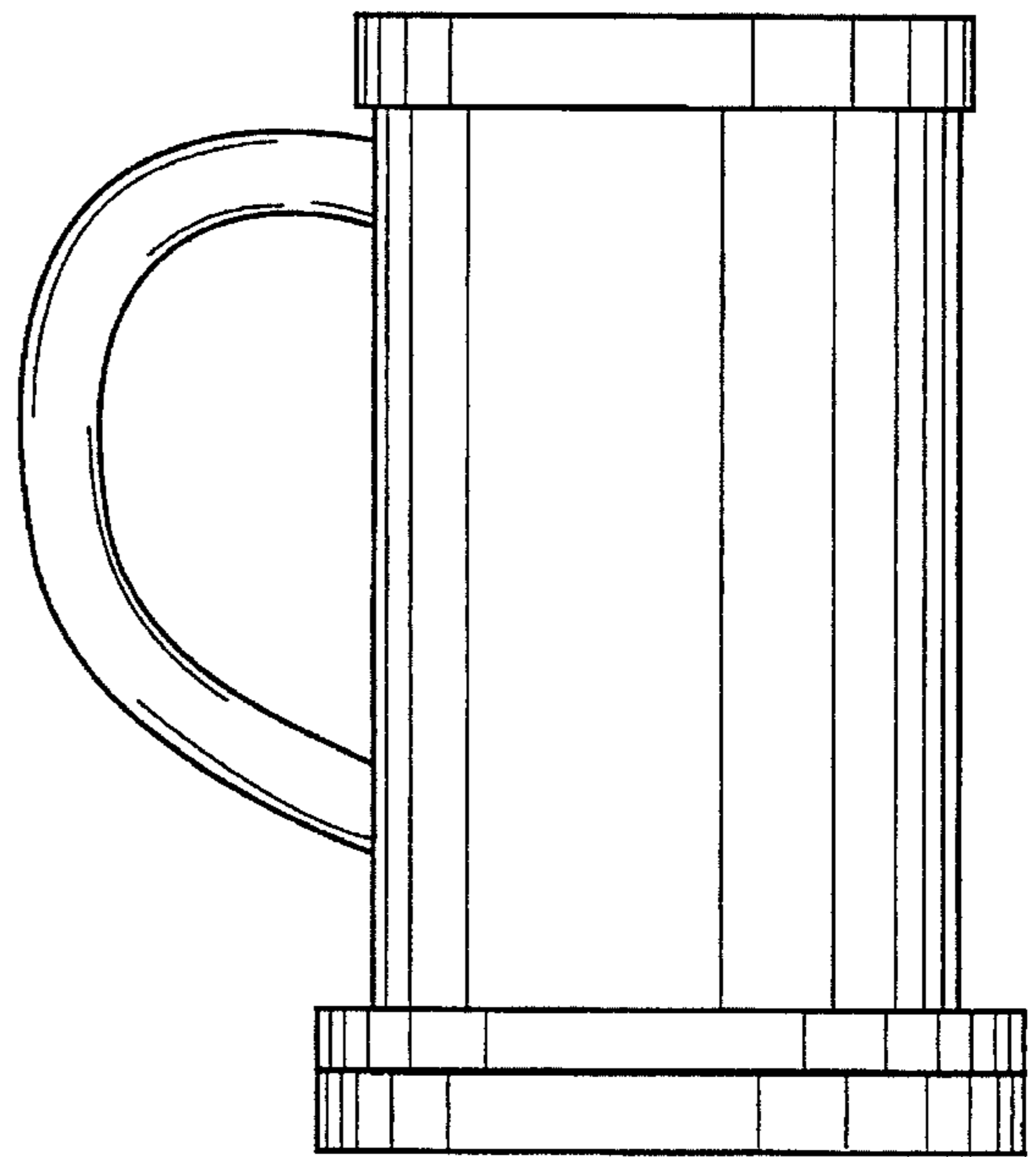


FIG. 3

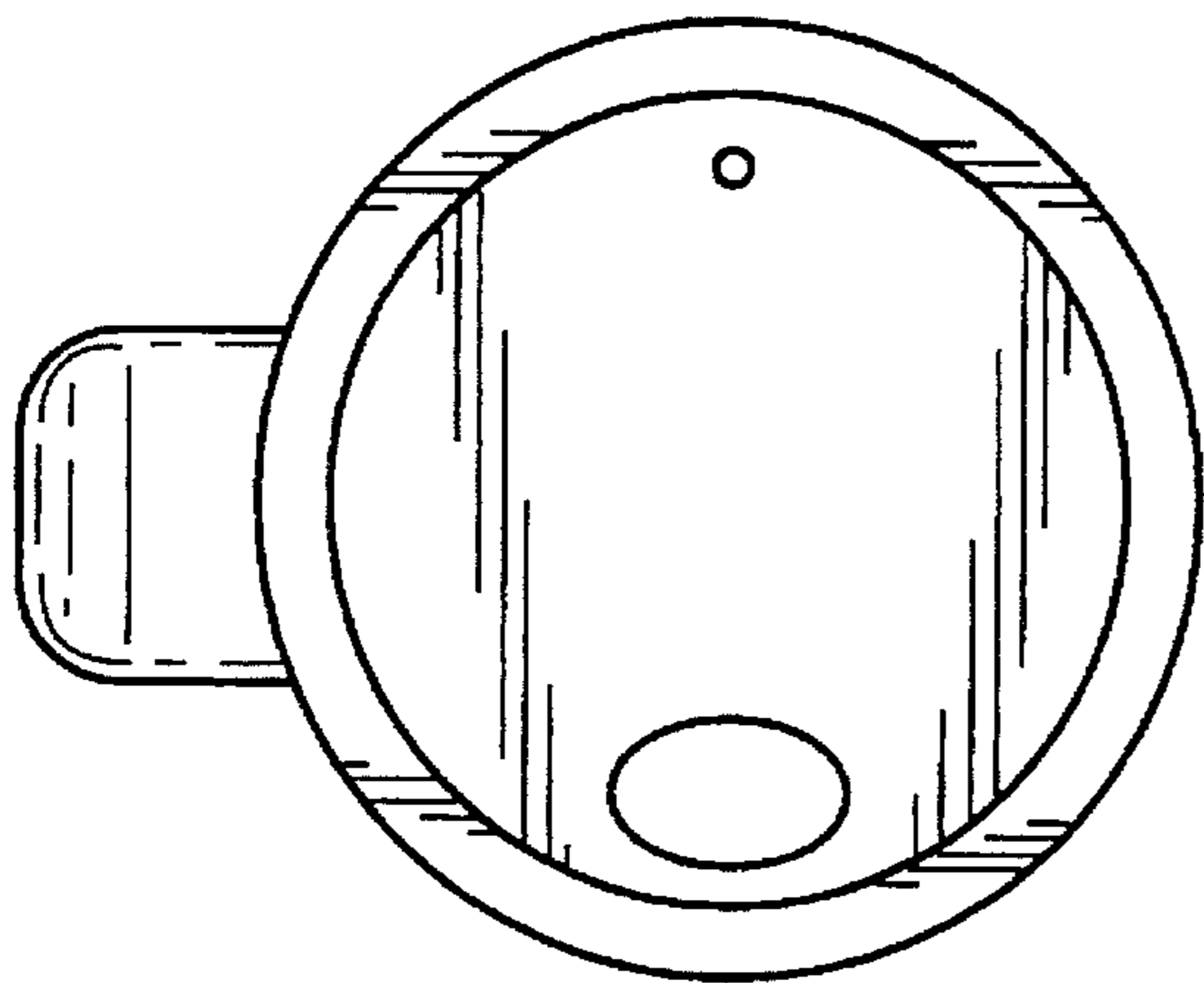


FIG. 4

