



US00D376722S

United States Patent [19]

[11] Patent Number: Des. 376,722

Oftedal et al.

[45] Date of Patent: **Dec. 24, 1996

[54] FIELD OVEN

[75] Inventors: Tor A. Oftedal, Oslo; Odd Halsnes, Båstad, both of Norway

[73] Assignee: Forsvarets Forskningsinstitut Avdeling for vapen og materiell, Kjeller, Norway

[**] Term: 14 Years

[21] Appl. No.: 25,755

[22] Filed: Jul. 11, 1994

[30] Foreign Application Priority Data

Jan. 17, 1994 [NO] Norway D940027

[52] U.S. Cl. D7/332

[58] Field of Search D7/332-337, 402-404;
126/25 R, 25 A, 25 AA, 25 B, 9 R, 9 B,
19 R, 29-30, 38, 40, 50, 59.5

[56] References Cited

U.S. PATENT DOCUMENTS

D. 185,280	5/1959	Greenblat	D7/337
D. 220,150	3/1971	Roestenburg	D7/332
D. 288,843	3/1987	Barnes	D7/332
4,175,925	11/1979	Paek et al.	126/25 B
4,503,835	3/1985	Williams	126/25 B

Primary Examiner—Ruth McInroy
Attorney, Agent, or Firm—Young & Thompson

[57] CLAIM

The ornamental design for a field oven, as shown and described.

DESCRIPTION

FIG. 1 is a top, rear and side perspective view of a field oven showing my new design;

FIG. 2 is a bottom, front and side perspective view thereof, showing the side opposite that shown in FIG. 1;

FIG. 3 is a top and rear perspective view thereof;

FIG. 4 is a top and side perspective view thereof taken from the left of FIG. 3;

FIG. 5 is a top plan view thereof;

FIG. 6 is a rear perspective view from above and from one side of a combined screen and transport basket forming part of our new design;

FIG. 7 is a front perspective view from below and the side opposite that shown in FIG. 6 of the combined screen and transport basket;

FIG. 8 is a perspective view from above and one side of a combustion chamber forming a part of our new design;

FIG. 9 is a perspective view from below and from the side opposite that shown in FIG. 8, of the combustion chamber;

FIG. 10 is a fragmentary view of the combustion chamber of FIGS. 8 and 9 from another angle of view;

FIG. 11 is a perspective view of a supply/feed tube assembly forming a part of our new design;

FIG. 12 is a perspective view of the supply/feed tube assembly of FIG. 11 from the side opposite that shown in FIG. 11;

FIG. 13 is a perspective view from above and from one side of a combined lid and support forming a part of our new design;

FIG. 14 is a perspective view from below and from the side opposite that shown in FIG. 13, of the combined lid and support;

FIG. 15 is a perspective view from above and from one side of a filter and valve housing forming a part of our new design; and,

FIG. 16 is a perspective view from below and from the side opposite that shown in FIG. 15, of the filter and valve housing.

1 Claim, 11 Drawing Sheets

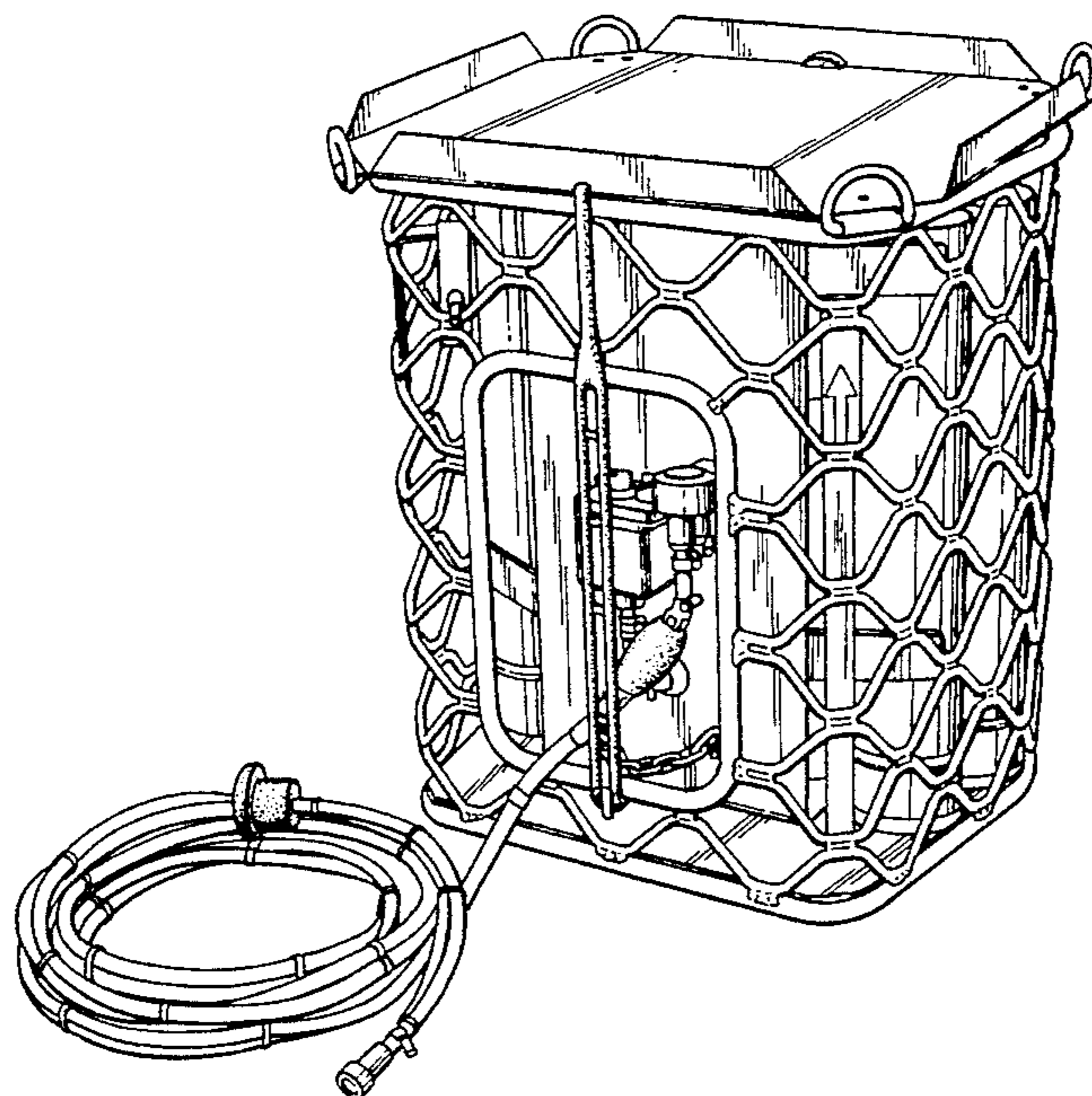


Fig. 1

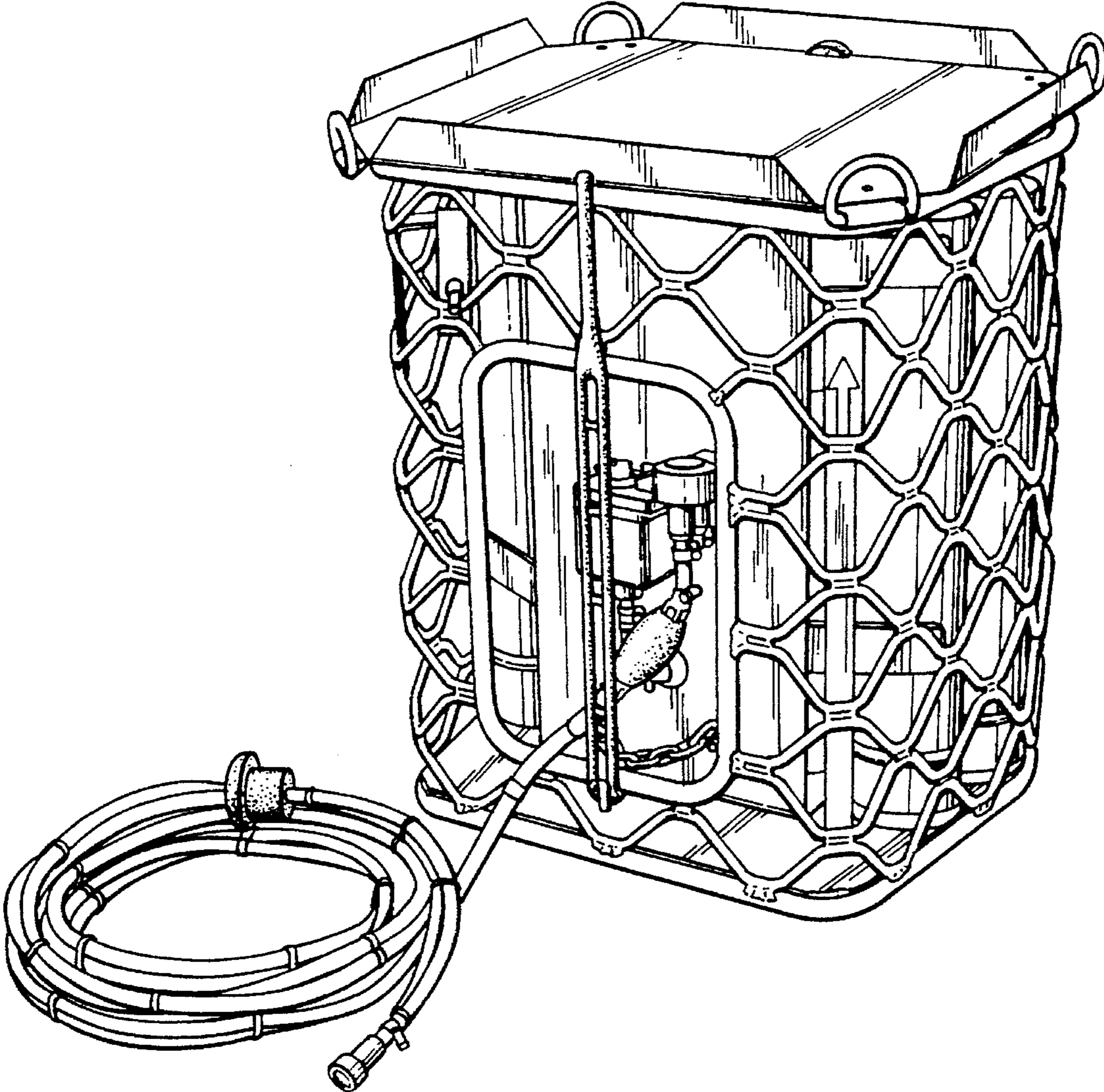


Fig. 2

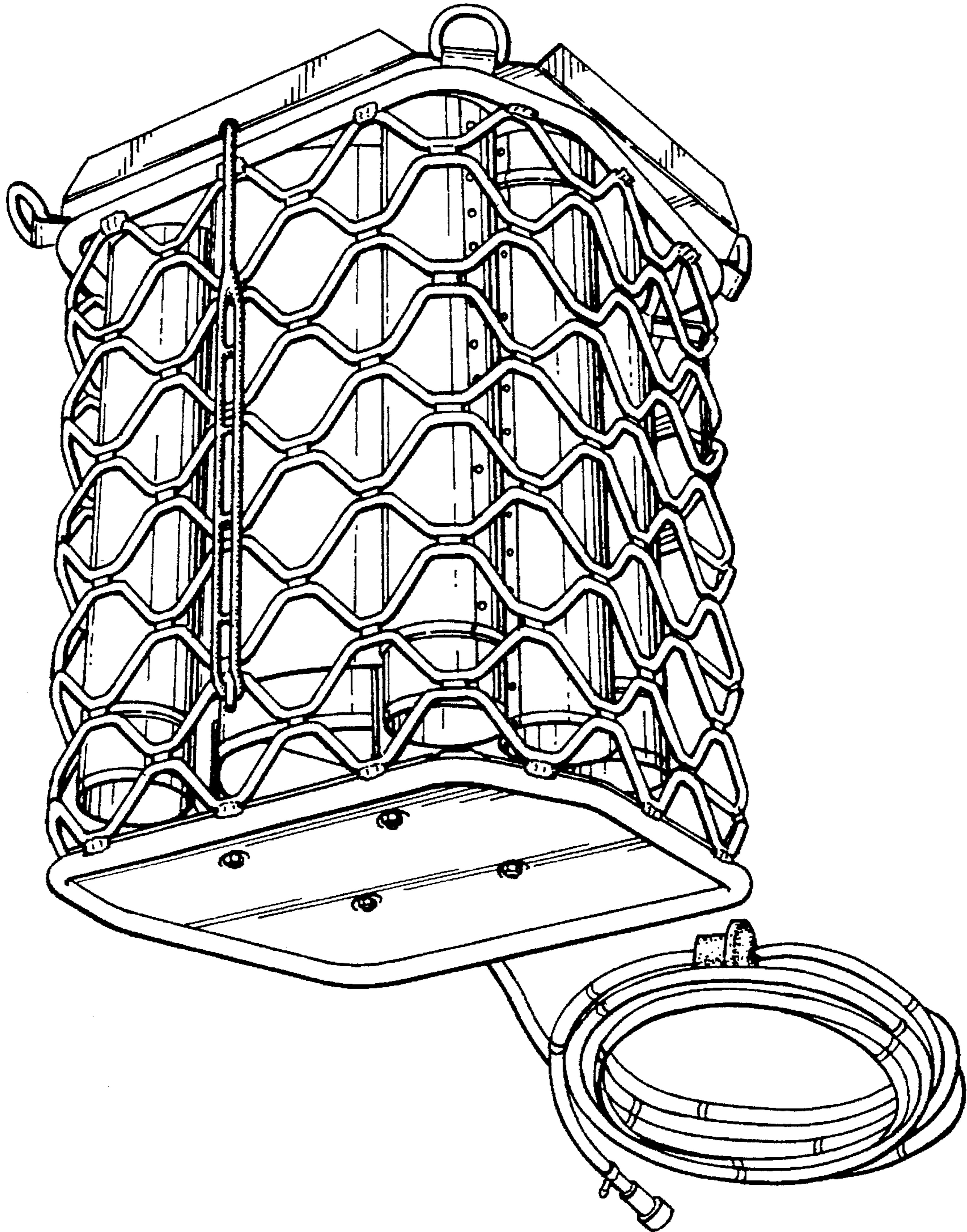


Fig.3.

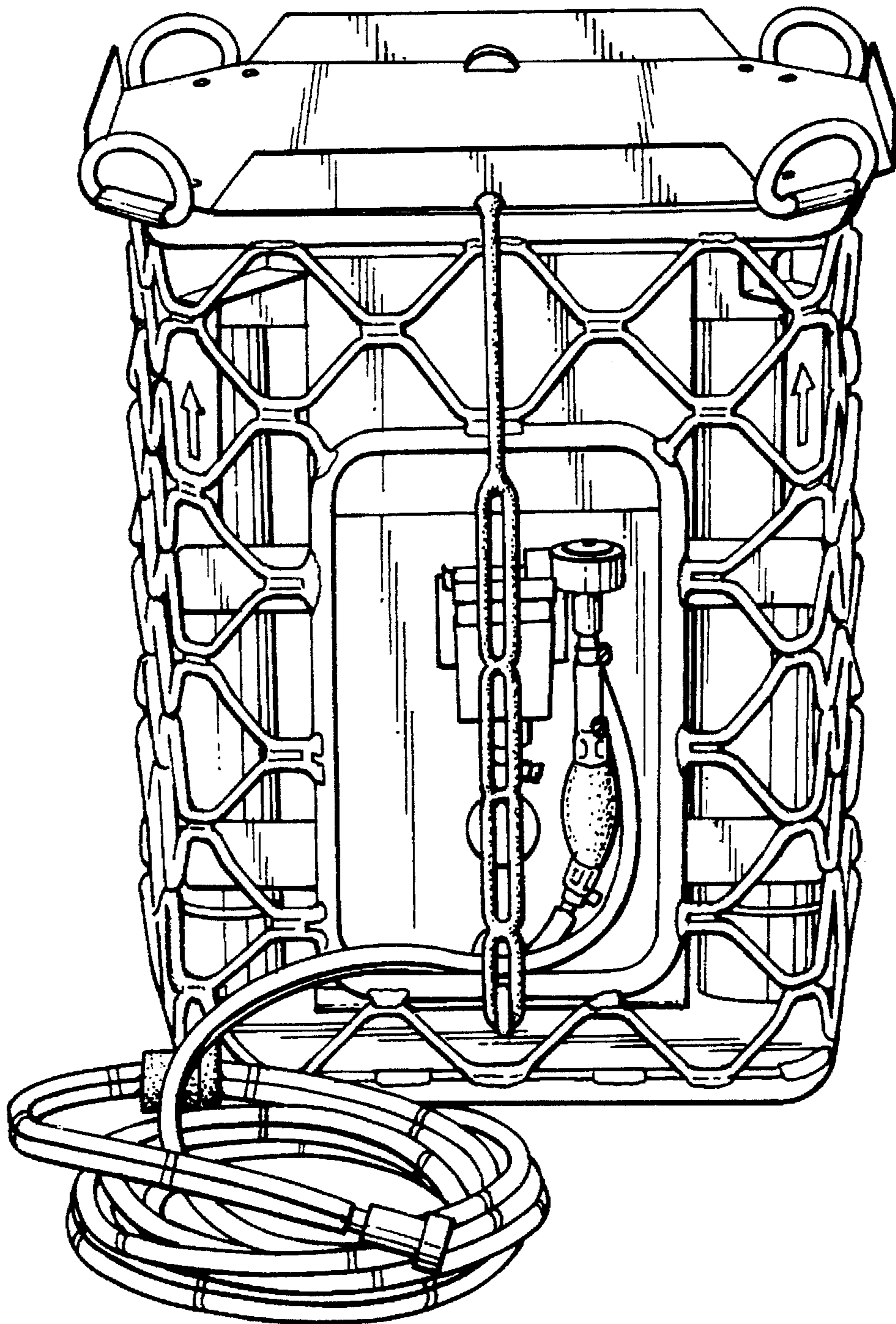


Fig.4.

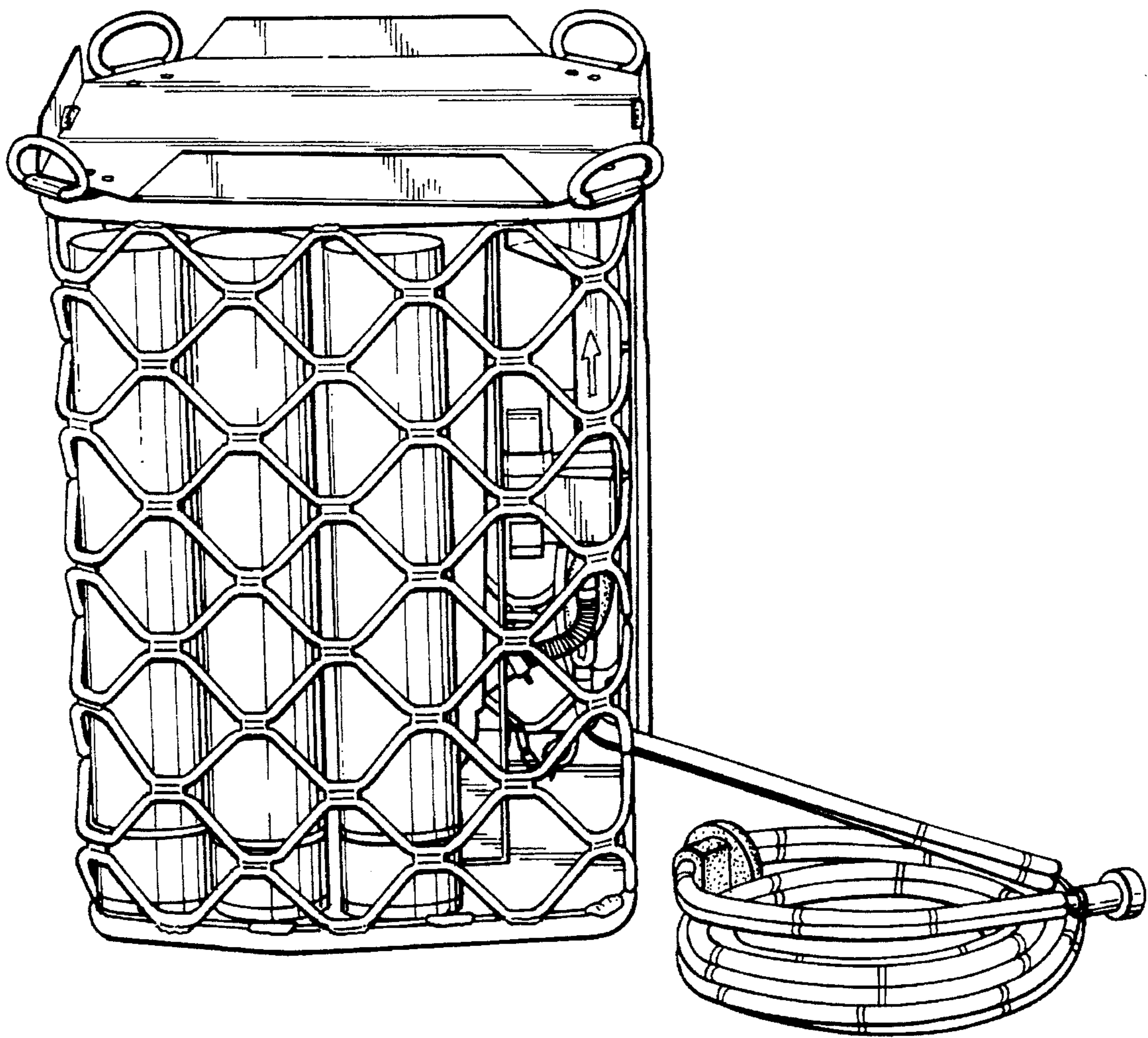
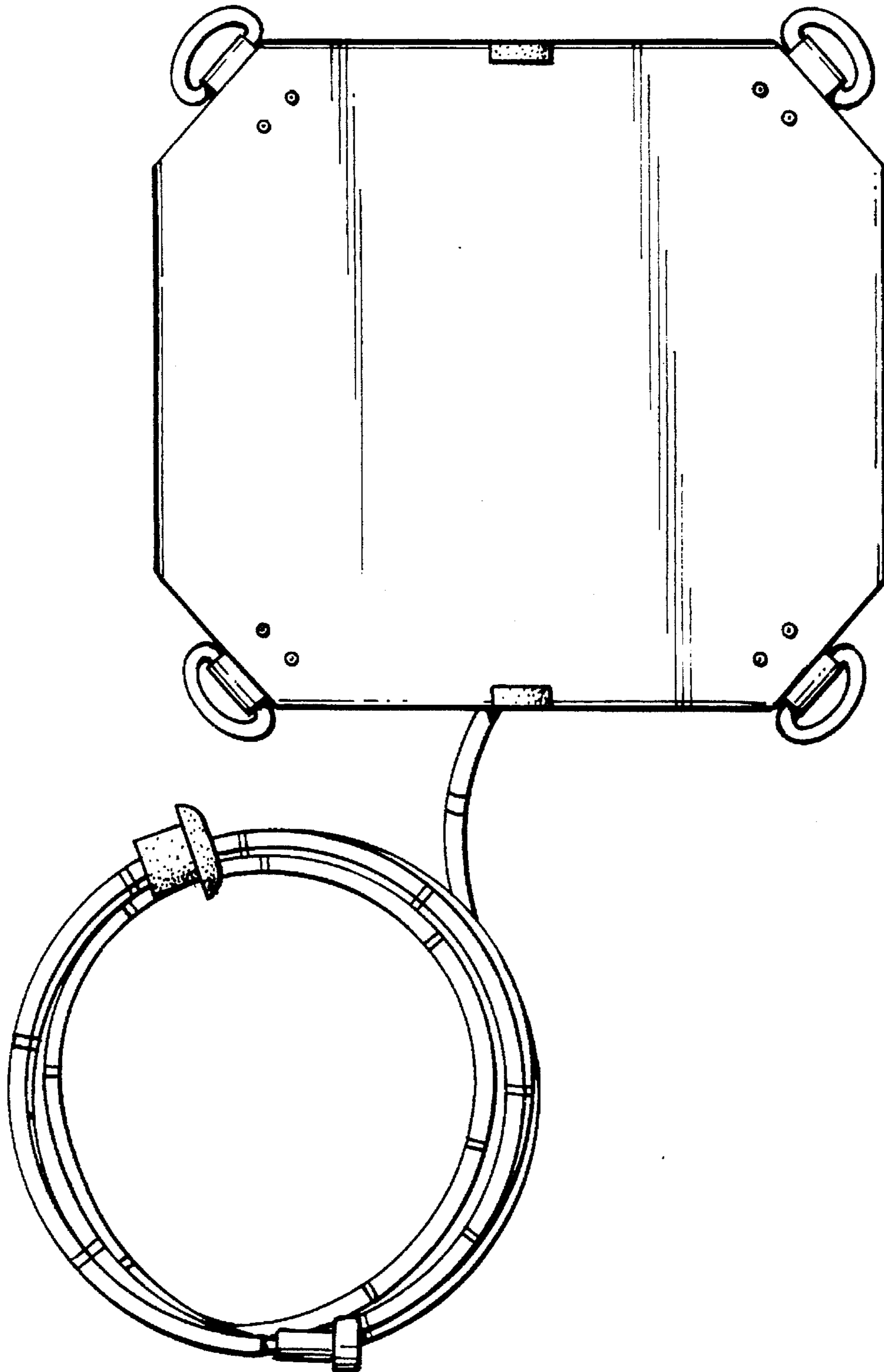


Fig.5.



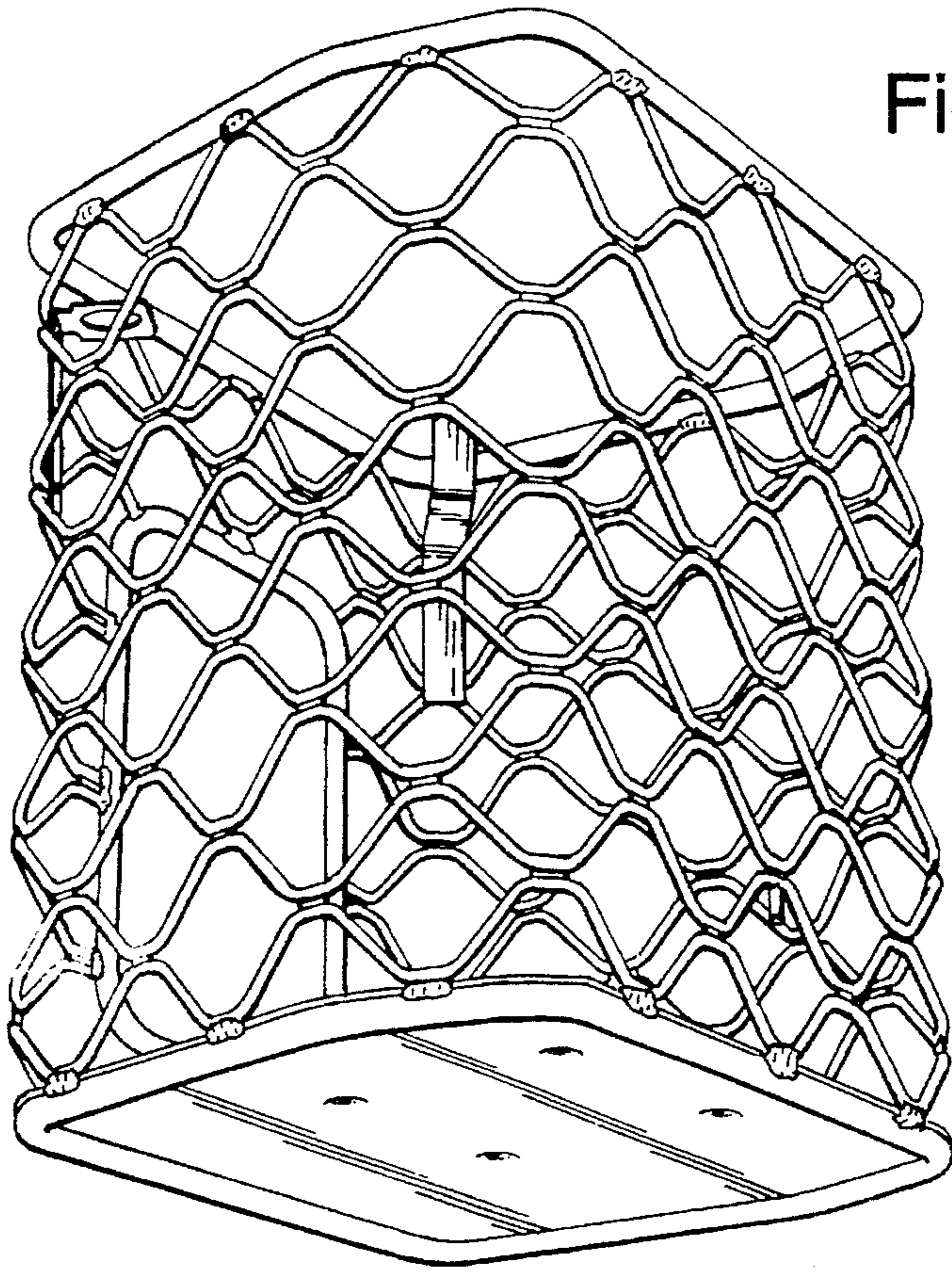
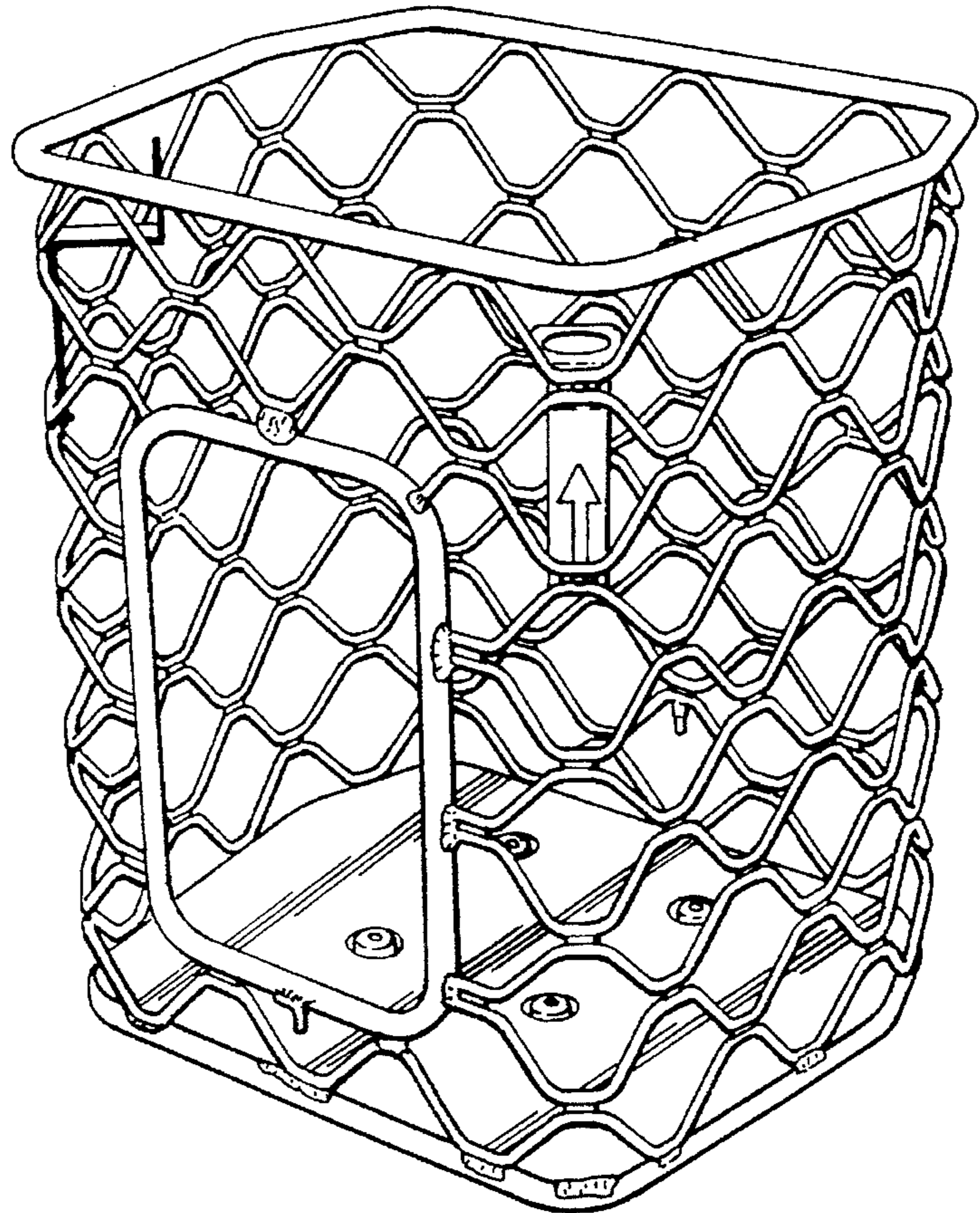


Fig. 7

Fig. 6



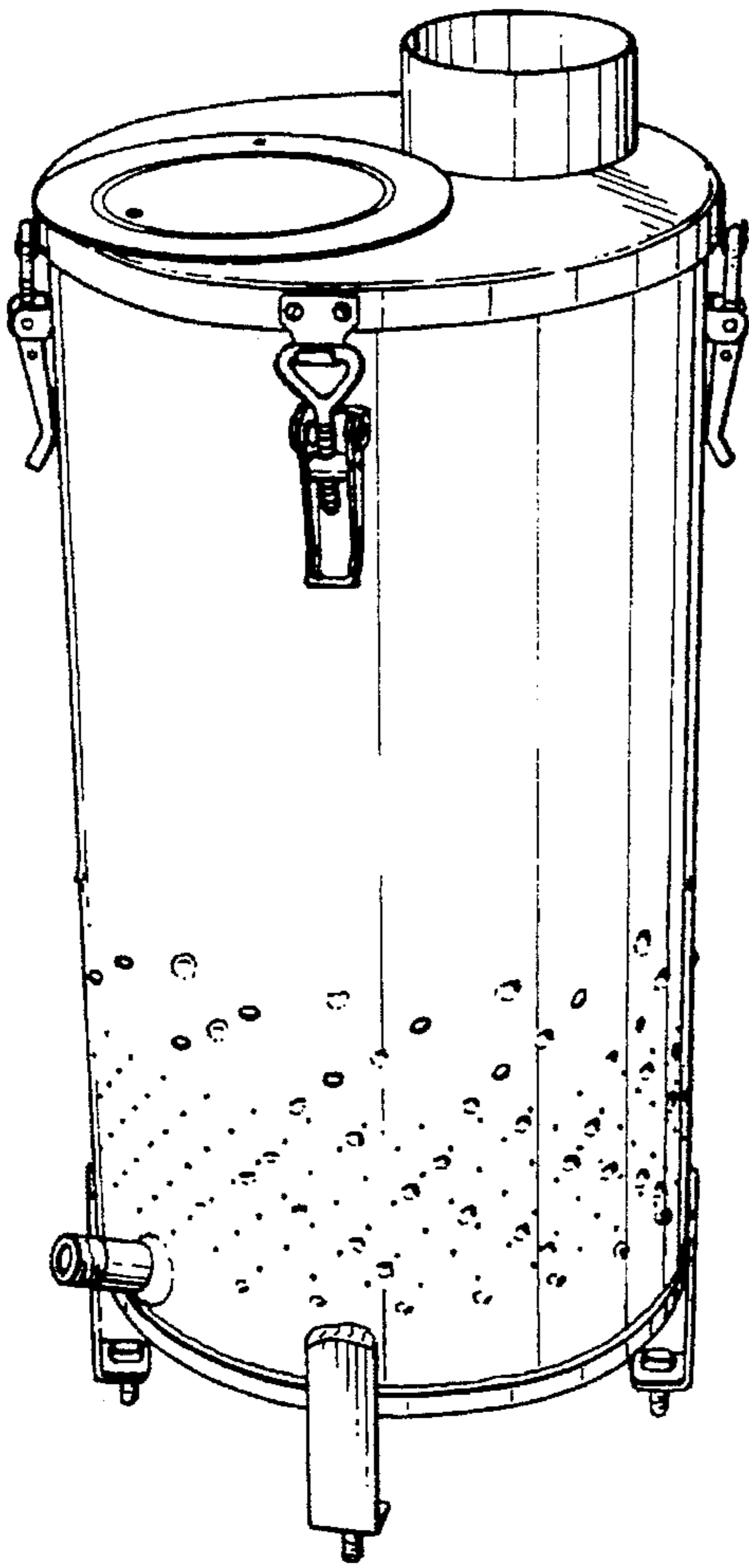


Fig. 8

Fig. 9

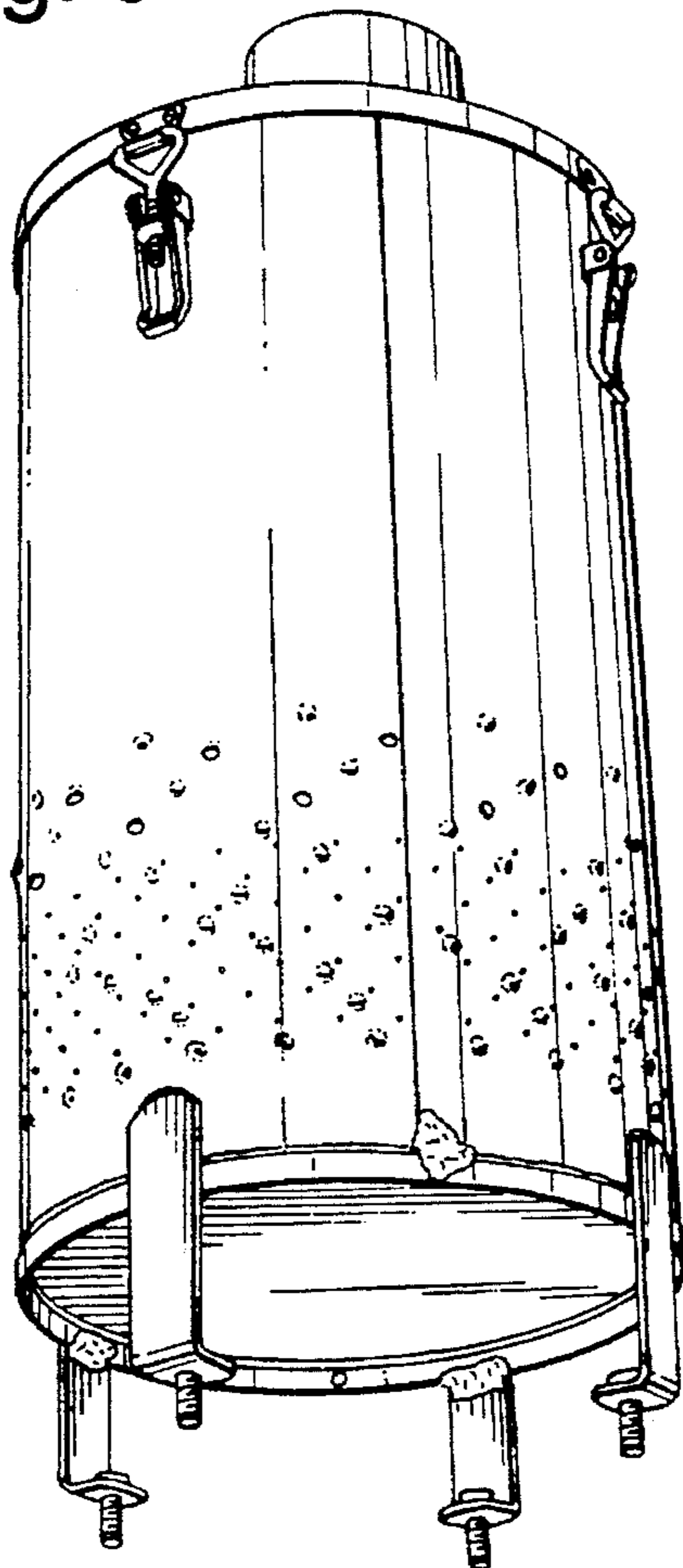


Fig. 10

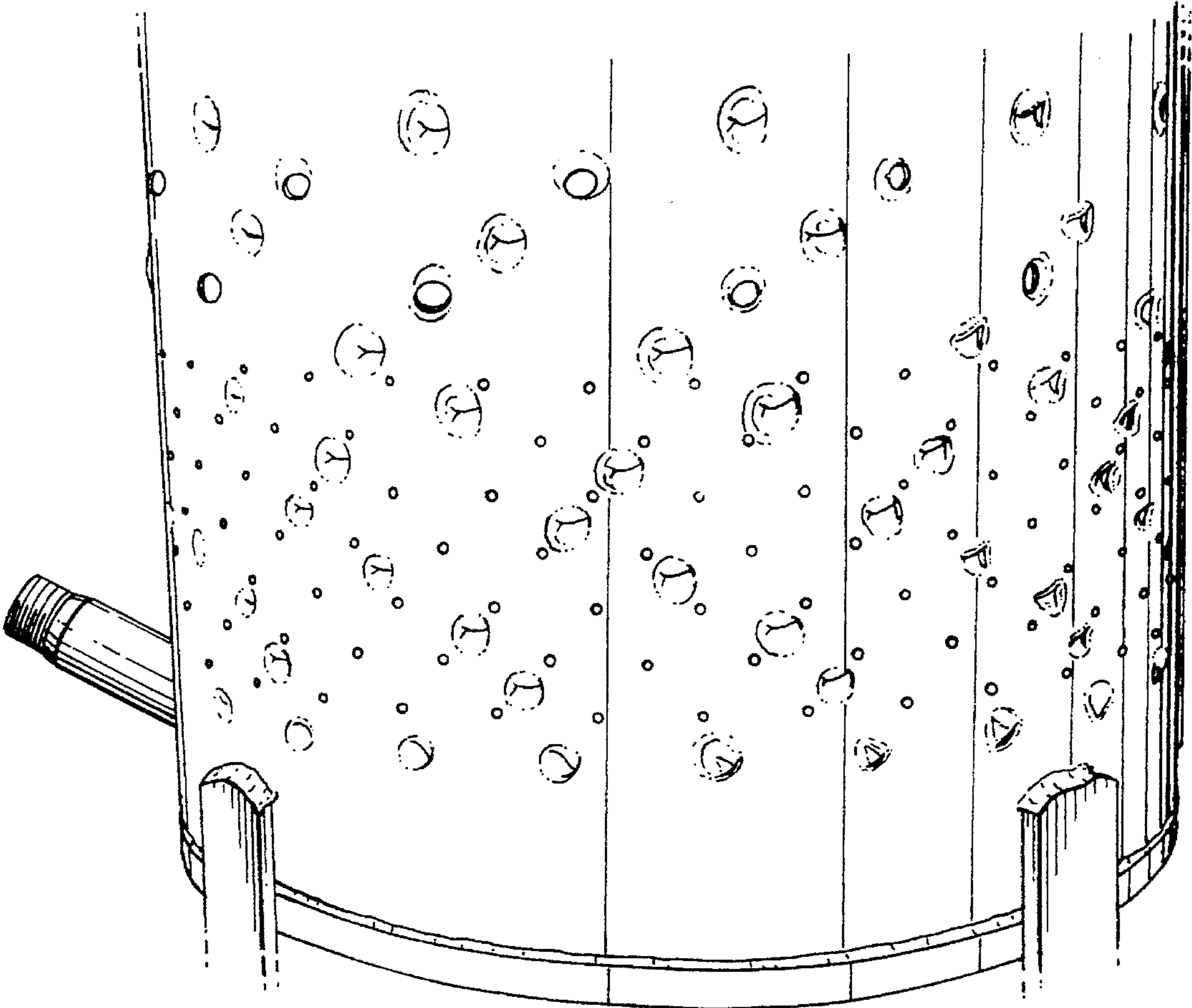


Fig. 11

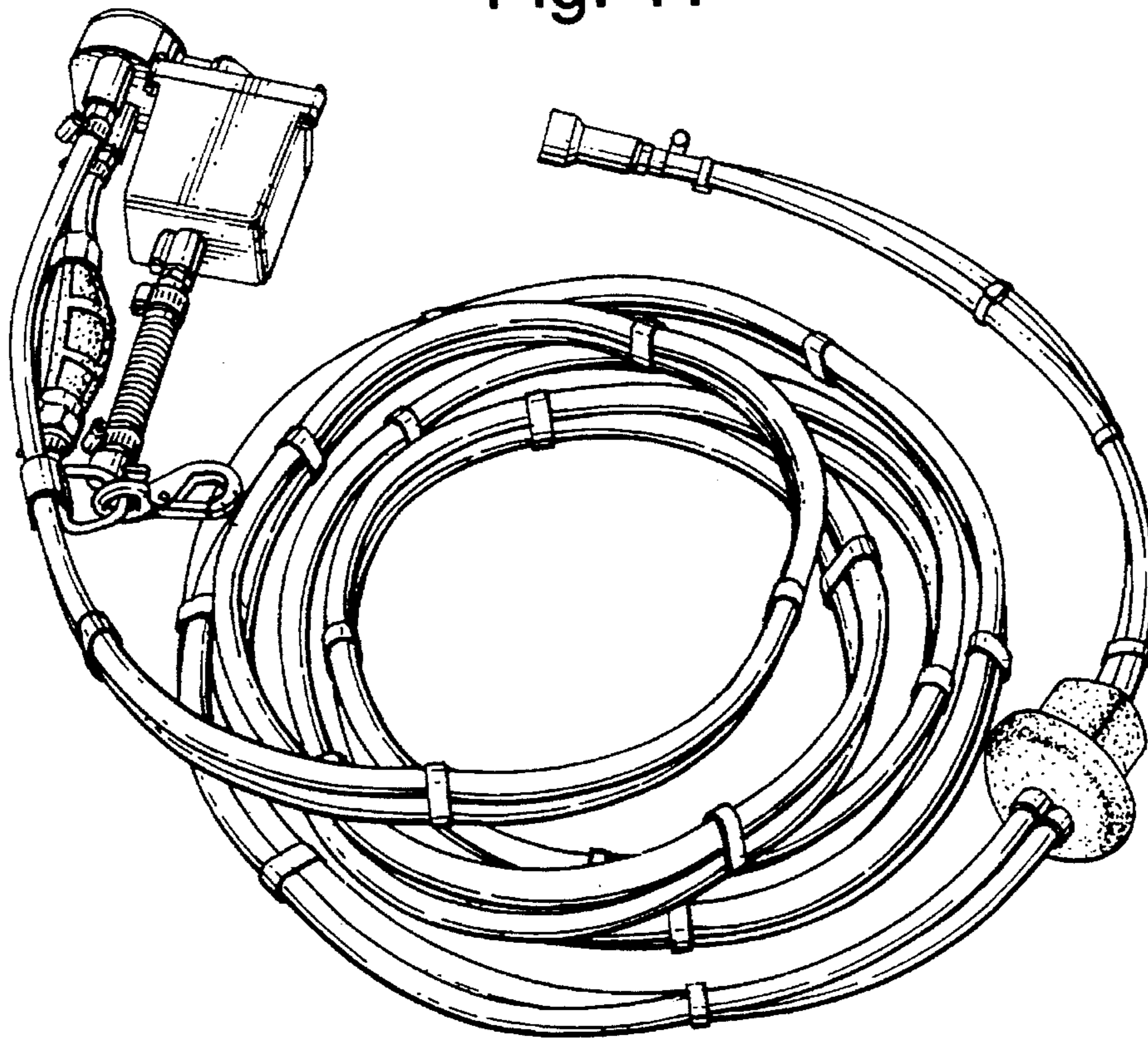
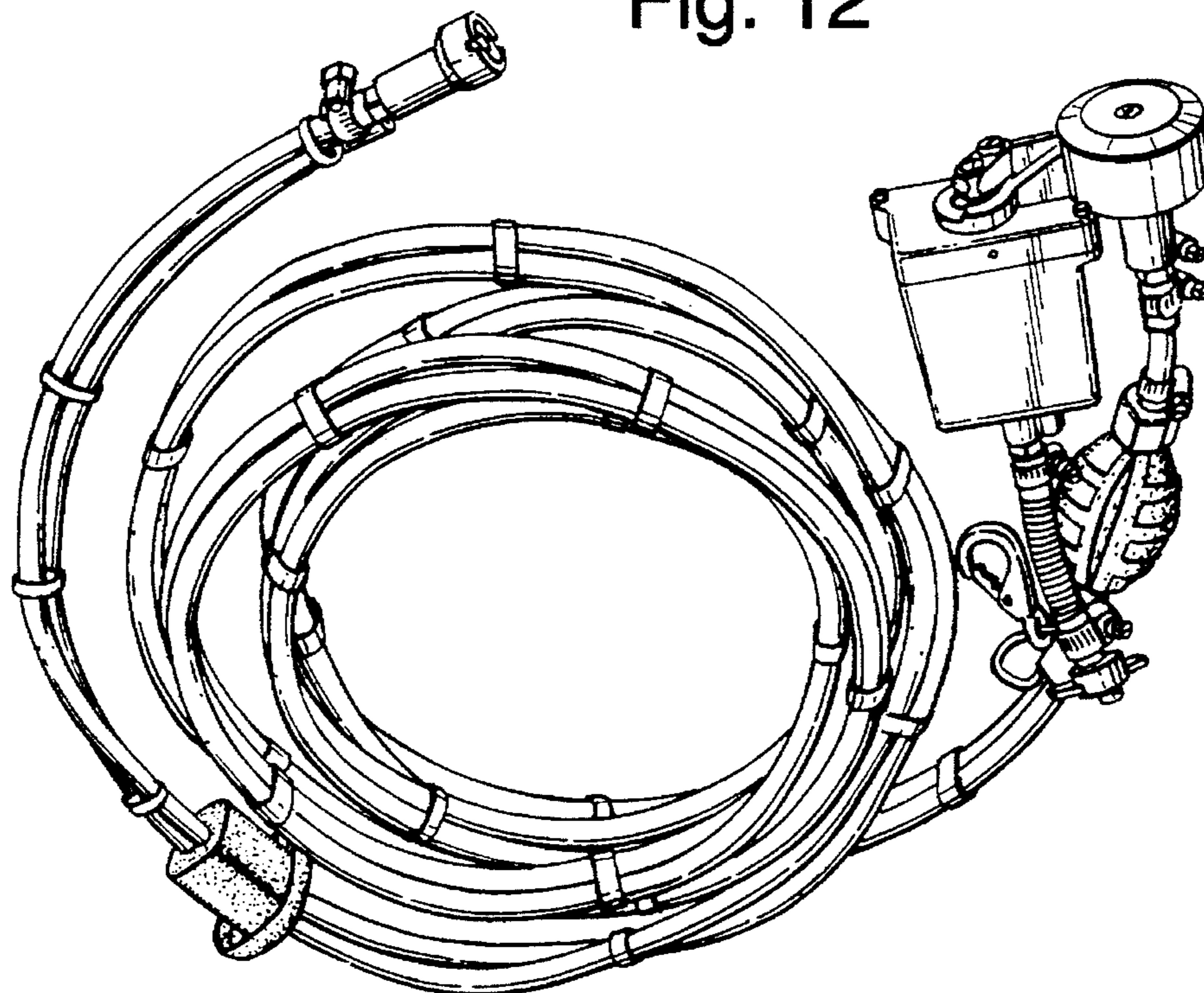


Fig. 12



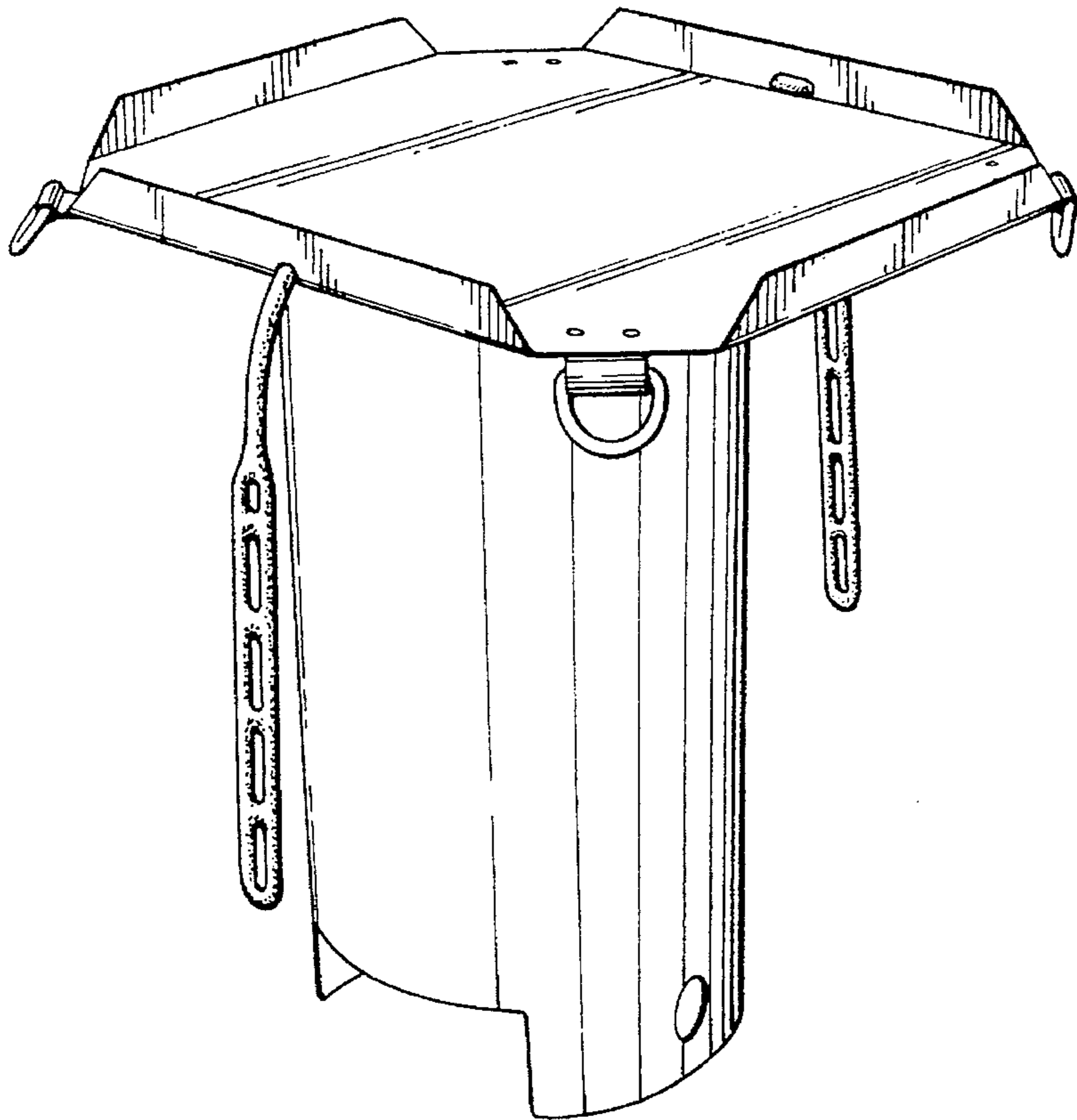


Fig. 13

Fig. 14

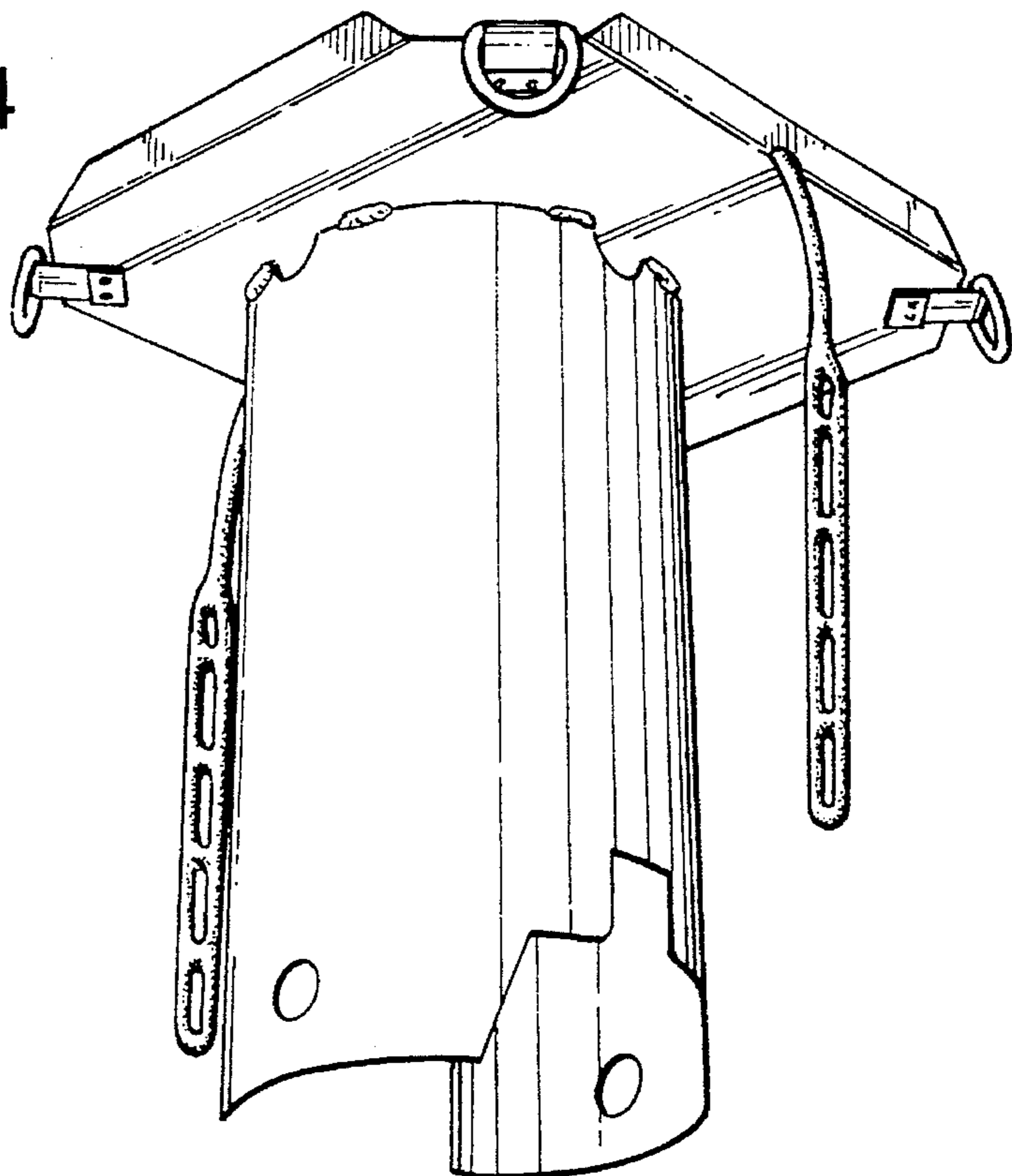


Fig. 15

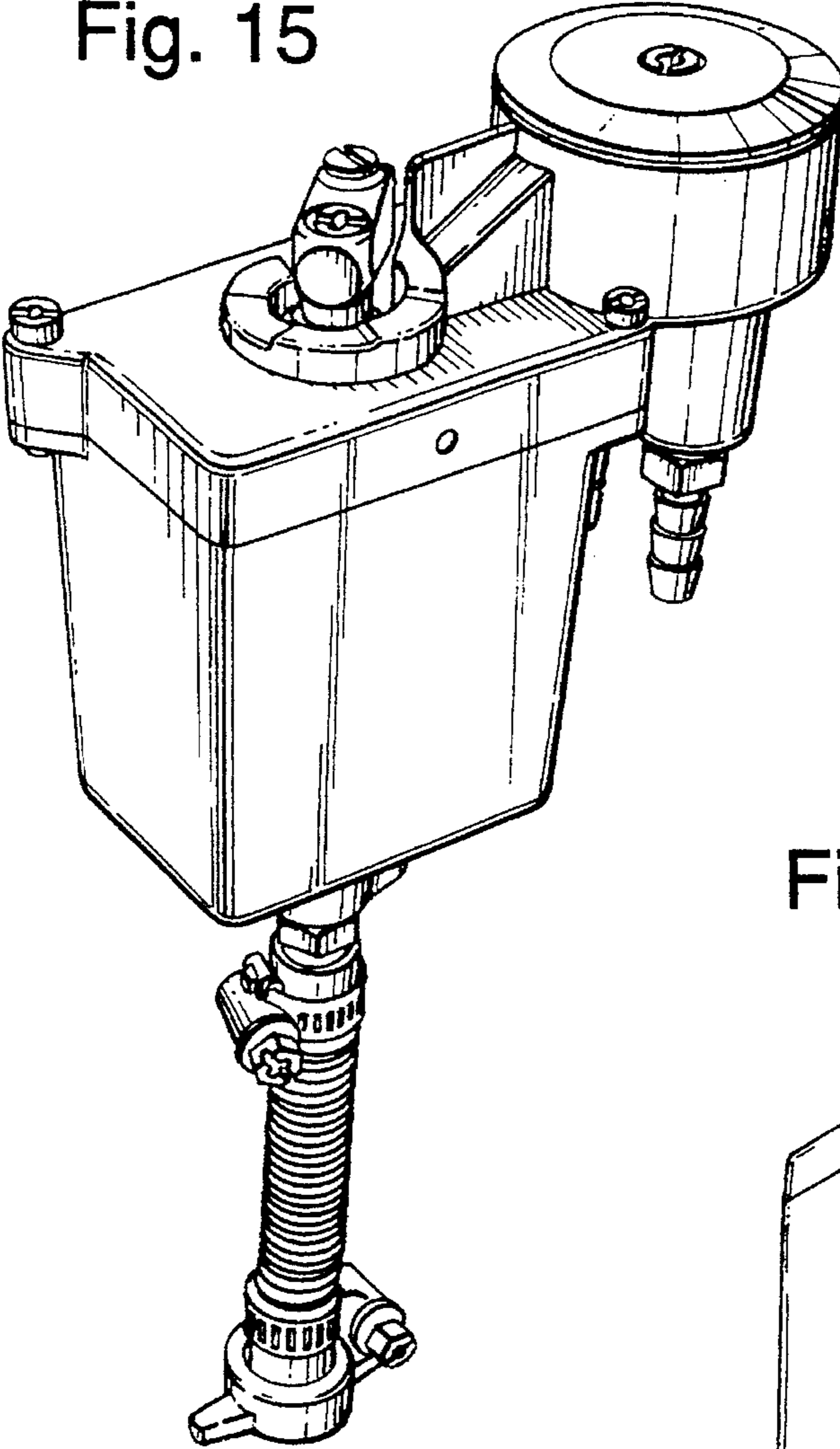


Fig. 16

