



US00D376721S

United States Patent [19]

Chen

[11] Patent Number: **Des. 376,721**

[45] Date of Patent: ****Dec. 24, 1996**

[54] TEAPOT

3,091,302 5/1963 Waven D7/312 X

[75] Inventor: **Kuo-Chang Chen**, Tainan Shien, Taiwan

[73] Assignee: **Songson Industrial Arts Co., Ltd.**, Tainan Hsien, Taiwan

[**] Term: **14 Years**

[21] Appl. No.: **44,827**

[22] Filed: **Jan. 4, 1996**

[52] U.S. Cl. **D7/371; D7/312**

[58] Field of Search **D7/300, 312, 321, D7/322, 317, 320; 99/295**

[56] **References Cited**

U.S. PATENT DOCUMENTS

D. 51,145	8/1917	Luhringhaus	D7/321
D. 88,228	11/1932	Guild et al.	D7/321
D. 95,621	5/1935	Zetler	D7/321
D. 260,957	9/1981	Urich	D7/321
D. 265,621	8/1982	Urich	D7/321
D. 316,797	5/1991	Ancona et al.	D7/320 X
D. 362,991	10/1995	Blanc	D7/312
D. 364,991	12/1995	Lee	D7/321 X

OTHER PUBLICATIONS

Electric Boiler 1008 Mark 1 Hong Kong Enterprise vol. 9 1980 p. 142.

Zani Tea Kettle, HFD Dec. 28, 1987 p. 51.

Teapot, Gus Schmiede—Zeitung Dec. 1983 p. 128.

Primary Examiner—M. N. Pandozzi

Attorney, Agent, or Firm—Morton J. Rosenberg; David I. Klein

[57] **CLAIM**

The ornamental design for a teapot, as shown and described.

DESCRIPTION

FIG. 1 is a perspective view of a teapot showing my new design;

FIG. 2 is a front elevational view thereof;

FIG. 3 is a rear elevational view thereof;

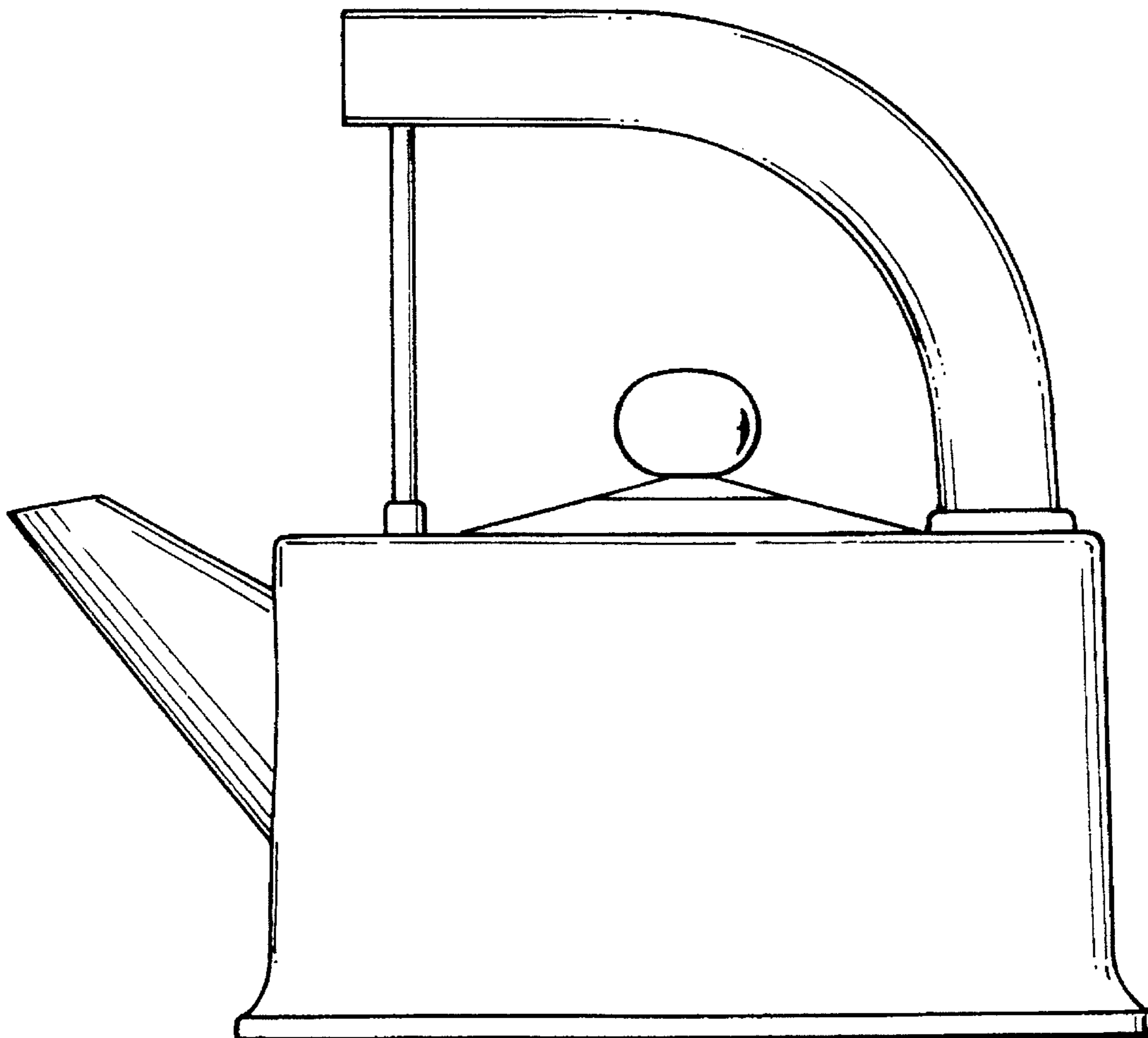
FIG. 4 is a left side elevational view thereof;

FIG. 5 is a right side elevational view thereof;

FIG. 6 is a top plan view thereof; and,

FIG. 7 is a bottom plan view thereof.

1 Claim, 4 Drawing Sheets



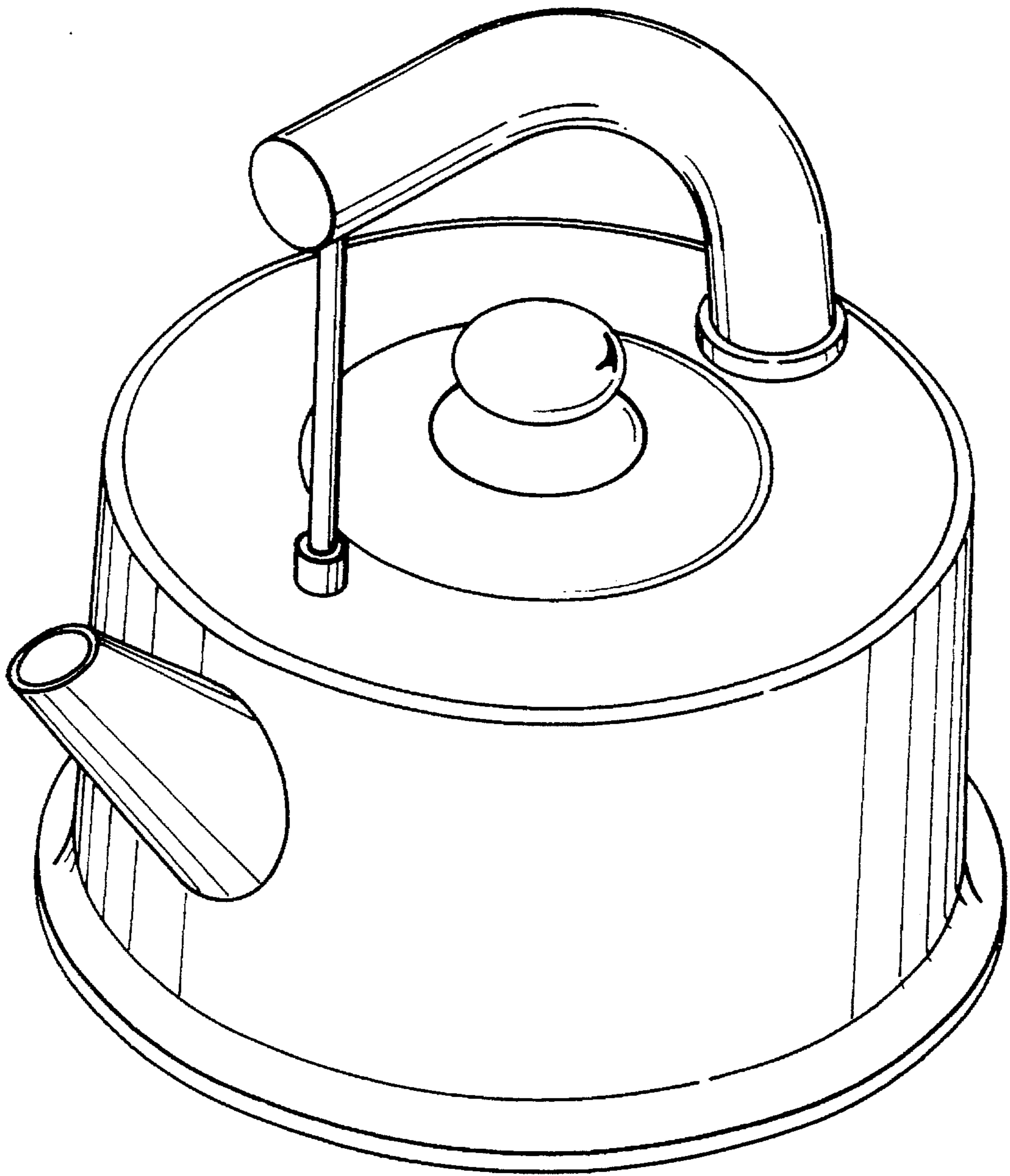


FIG. 1

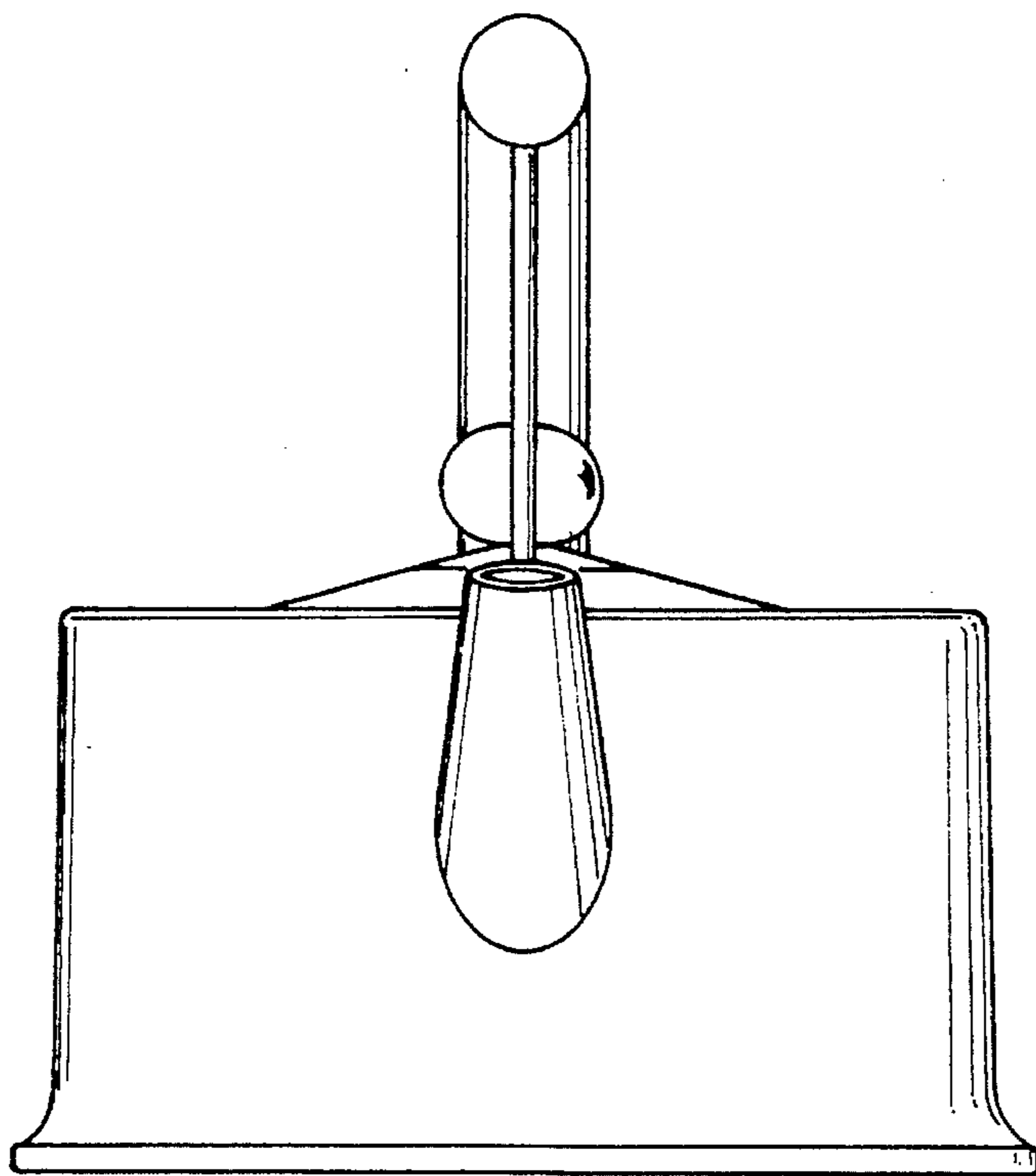


FIG. 2

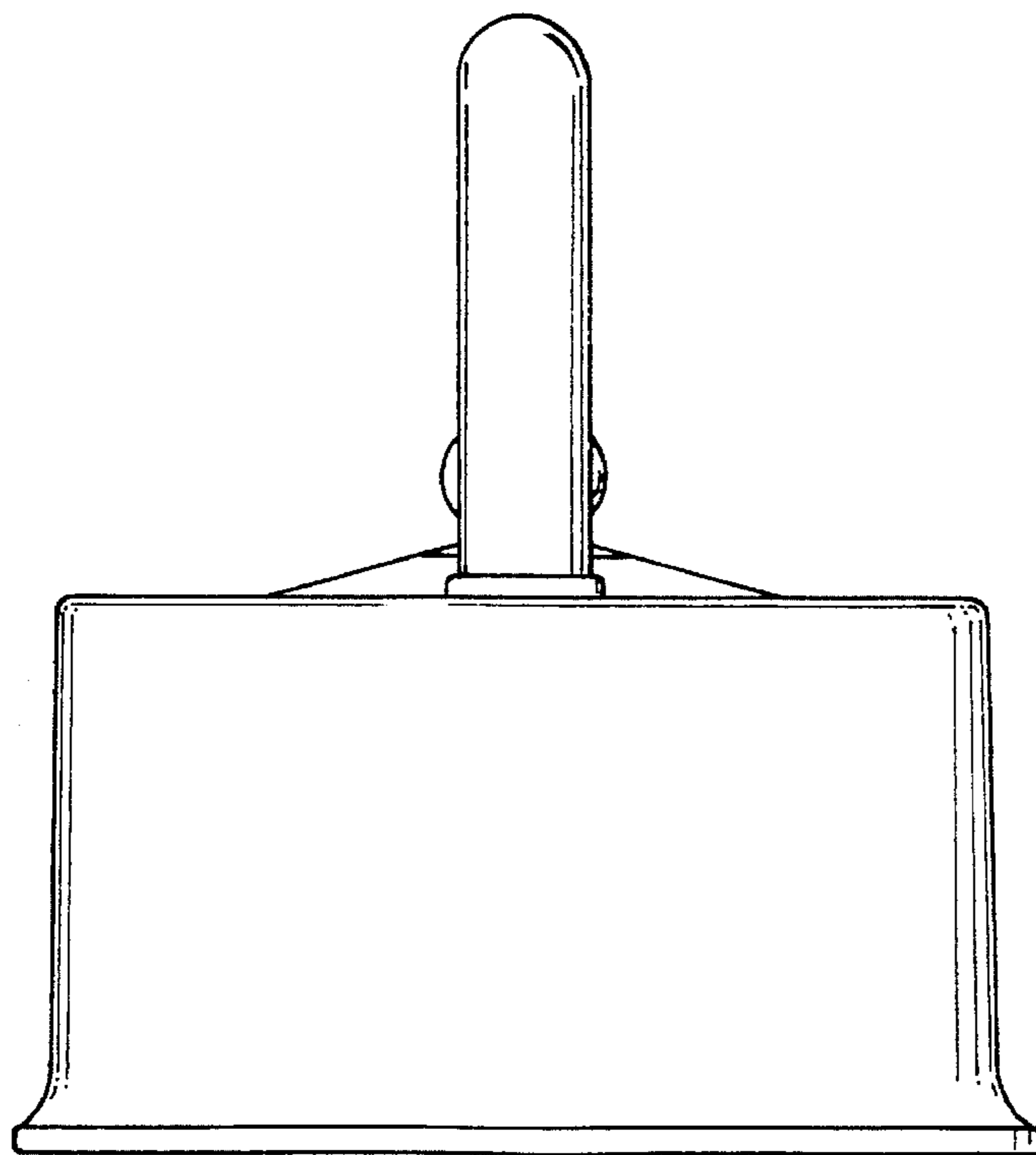


FIG. 3

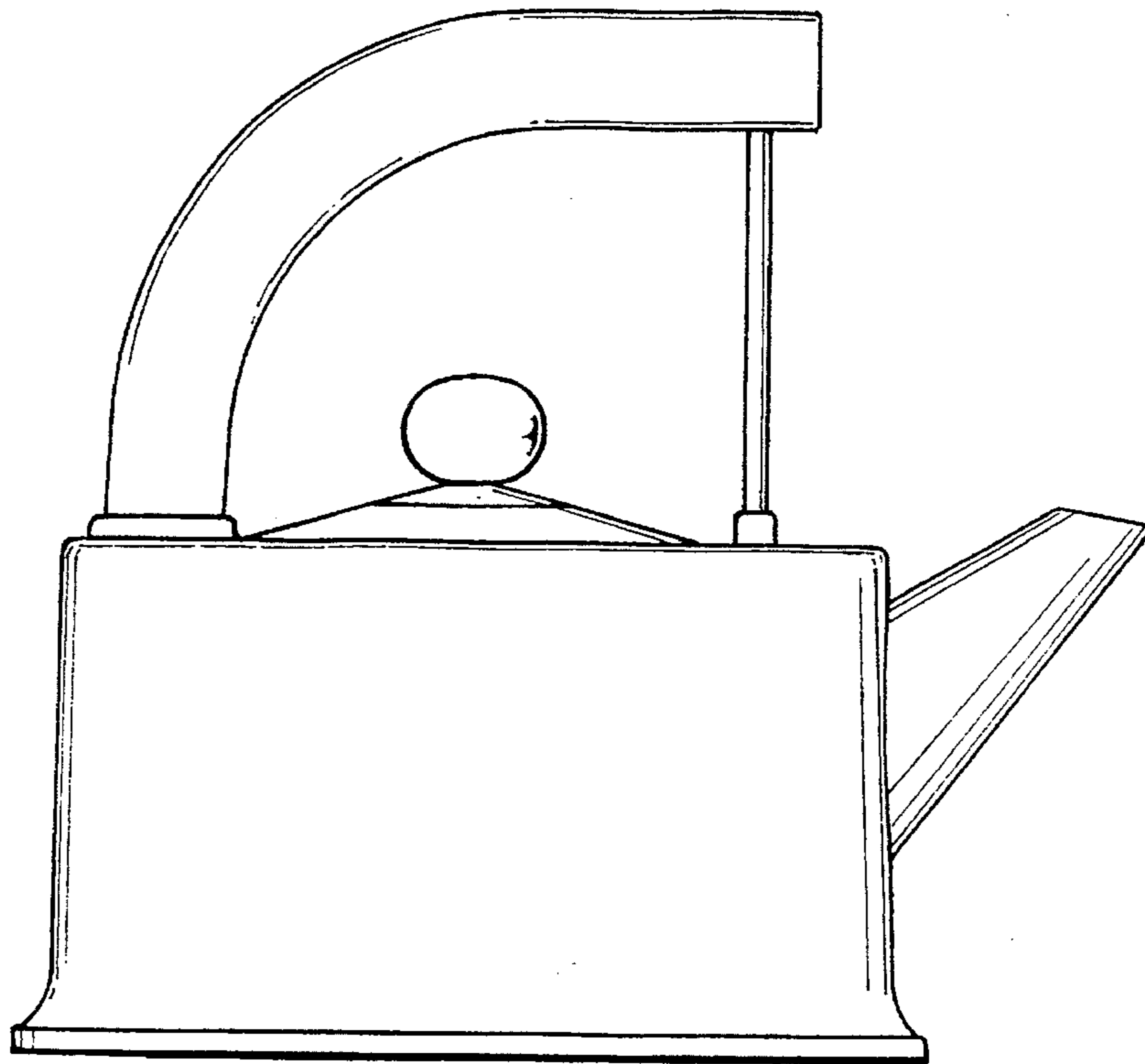


FIG. 4

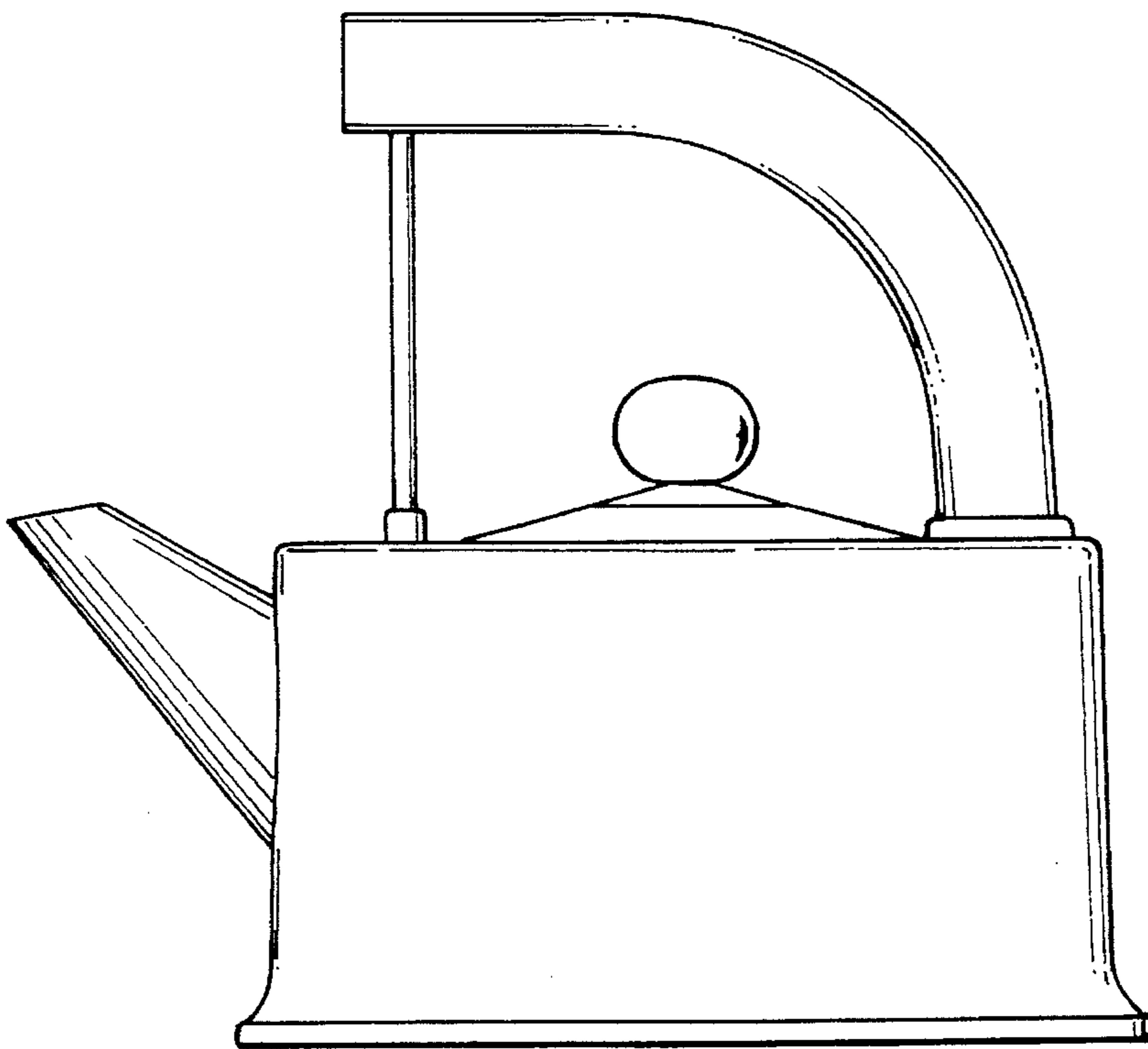


FIG. 5

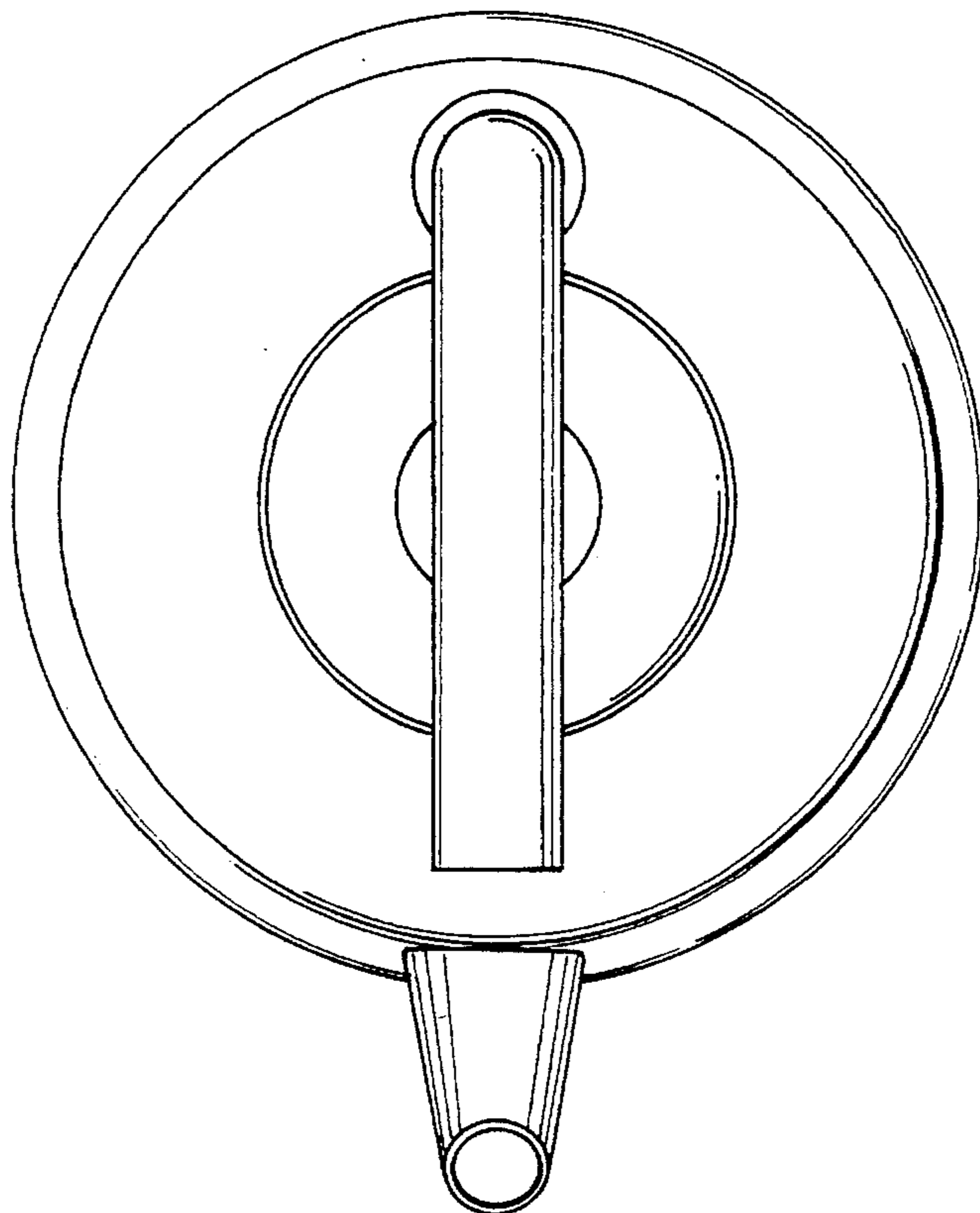


FIG. 6

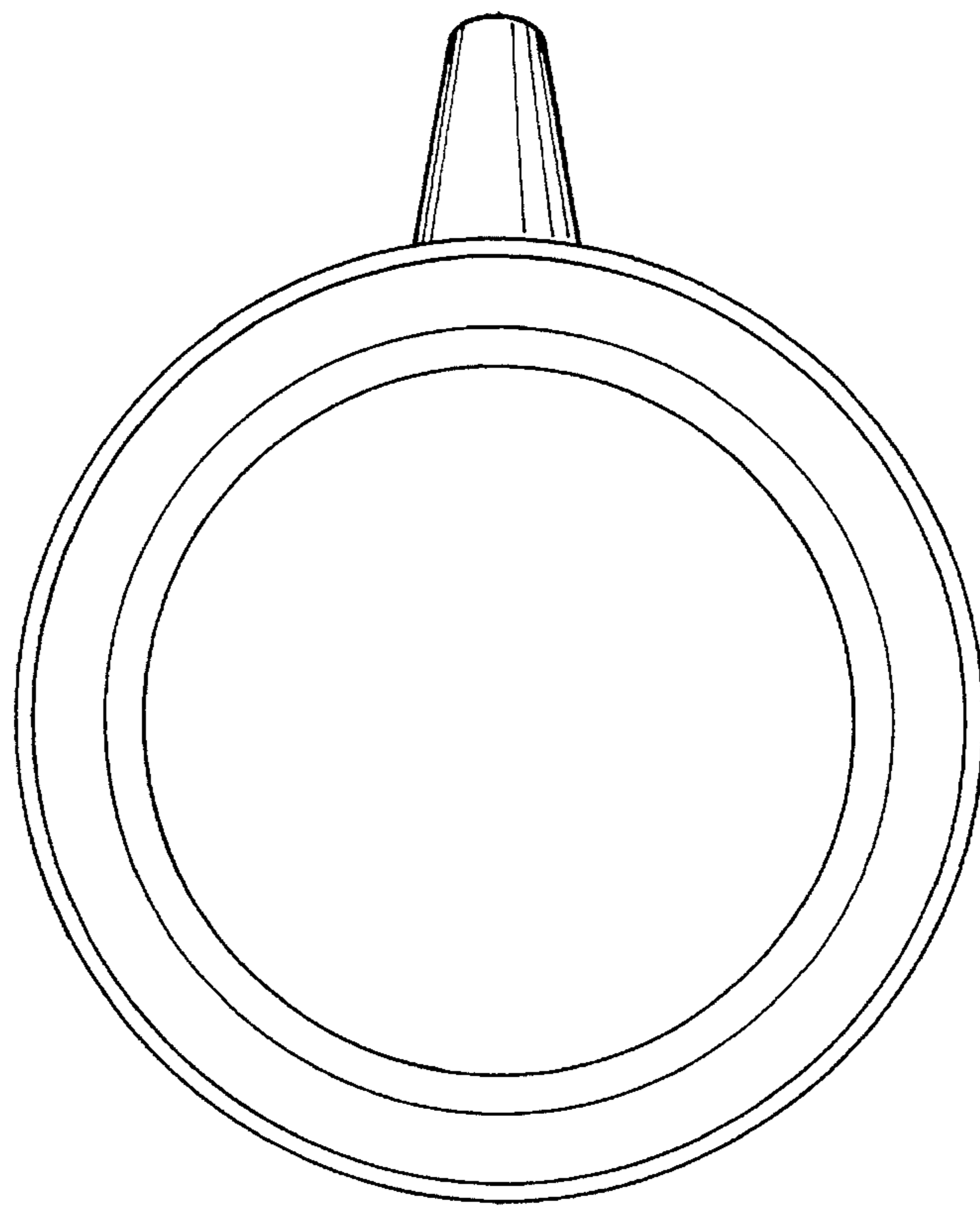


FIG. 7