



US00D376718S

United States Patent [19]
Wilcox

[11] **Patent Number: Des. 376,718**
[45] **Date of Patent: **Dec. 24, 1996**

[54] **BANDAGE DISPENSER**

FOREIGN PATENT DOCUMENTS

[76] Inventor: **Kimberly A. Wilcox**, 4904 Lucille Ave.
SE., Salem, Oreg. 97302

88/04265 6/1988 WIPO .

[**] Term: **14 Years**

Primary Examiner—Brian N. Vinson
Attorney, Agent, or Firm—Richard C. Litman

[21] Appl. No.: **45,388**

[57] **CLAIM**

[22] Filed: **Oct. 18, 1995**

The ornamental design for a bandage dispenser, as shown and described.

[52] **U.S. Cl.** **D6/518**

[58] **Field of Search** D6/515, 518, 519,
D6/523; D9/419; 206/389, 397, 407, 409,
411, 424

DESCRIPTION

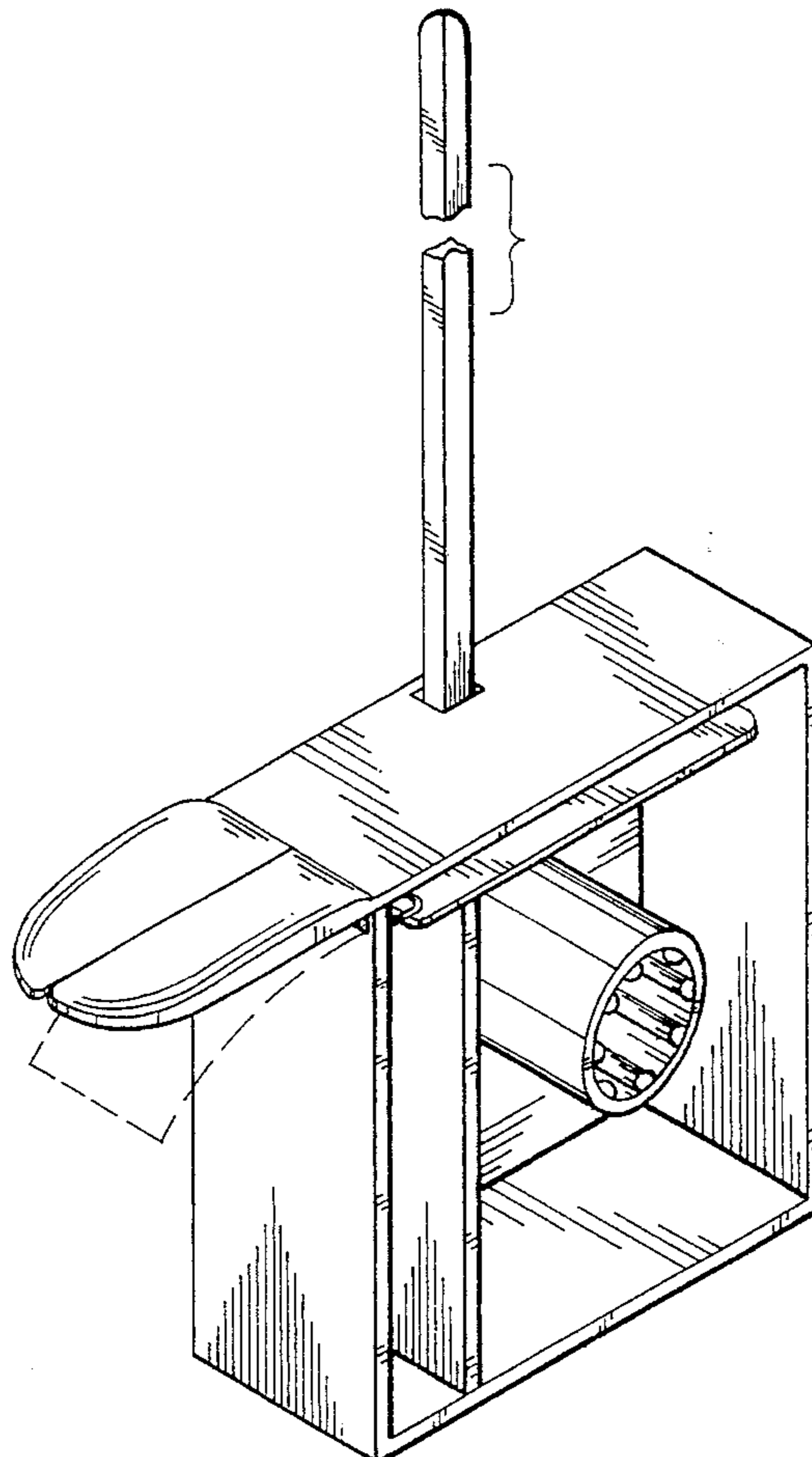
[56] **References Cited**

U.S. PATENT DOCUMENTS

- D. 187,955 5/1960 Restaino et al. .
- D. 194,756 5/1963 Norman .
- D. 200,004 1/1965 Holworth et al. .
- D. 249,641 9/1978 Dali D9/419
- D. 292,826 11/1987 Sproles .
- D. 314,017 1/1991 Lewis et al. D6/518
- D. 362,574 9/1995 Ferguson D6/515
- 4,382,510 5/1983 Gaffney 206/409 X
- 4,735,342 4/1988 Goldstein .
- 4,993,586 2/1991 Taulbee et al. .
- 5,271,522 12/1993 Ko et al. .
- 5,344,049 9/1994 MacDonald .
- 5,358,140 10/1994 Pellegrino .

FIG. 1 is an environmental perspective view of a bandage dispenser showing my new design;
 FIG. 2 is a front elevational view thereof;
 FIG. 3 is a top plan view thereof;
 FIG. 4 is a left side elevational view thereof;
 FIG. 5 is a rear plan view with the left side being a mirror image thereof;
 FIG. 6 is an environmental right side elevational view thereof; and,
 FIG. 7 is an environmental rear elevational view thereof.
 The broken line showing of the cat in FIG. 6 and the bear in FIG. 7 is for illustrative purposes only, merely disclosing two of the various animals which can be used, and forms no part of the claimed design. The broken line showing of the bandage in FIG. 1 is for illustrative purposes only and forms no part of the claimed design.

1 Claim, 4 Drawing Sheets



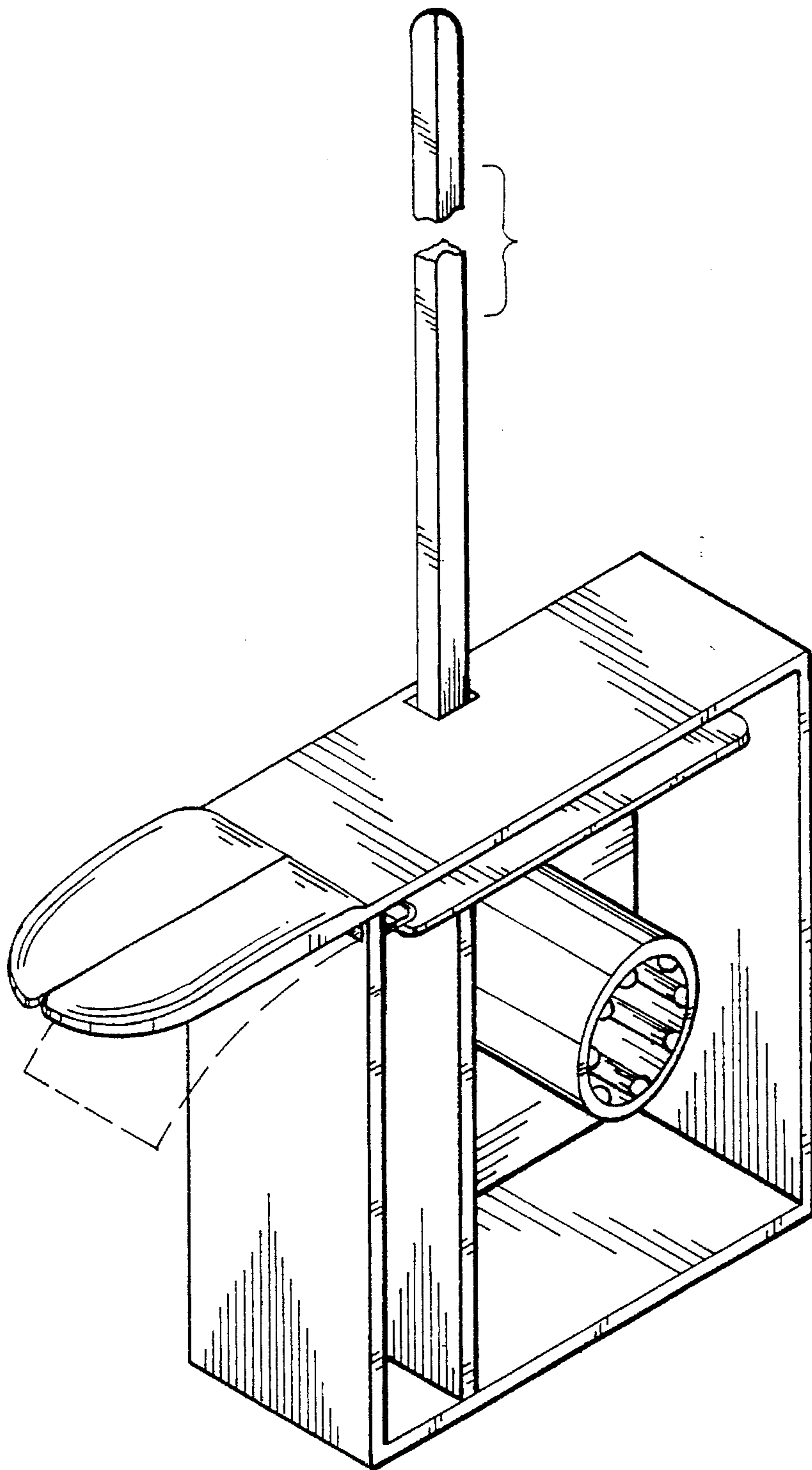


FIG. 1

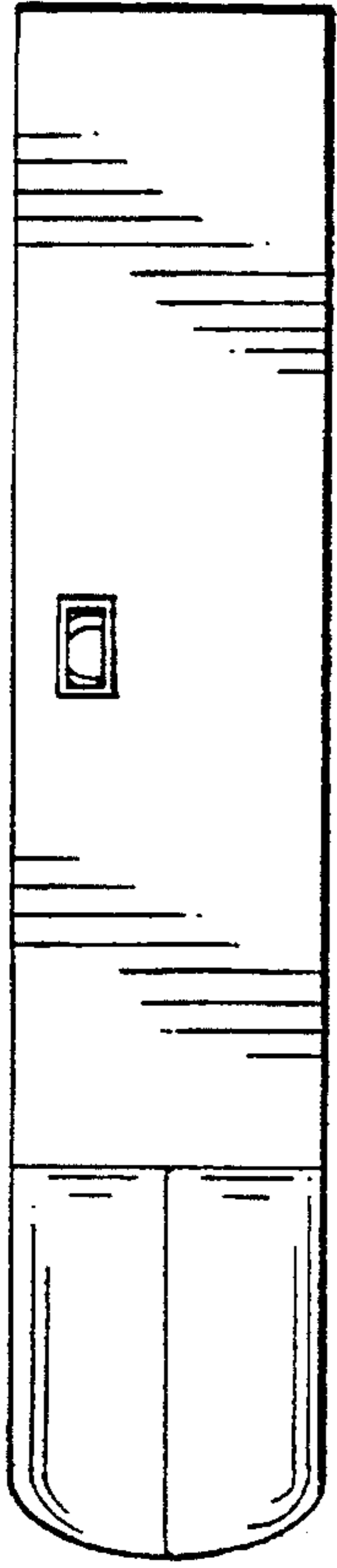


FIG. 3

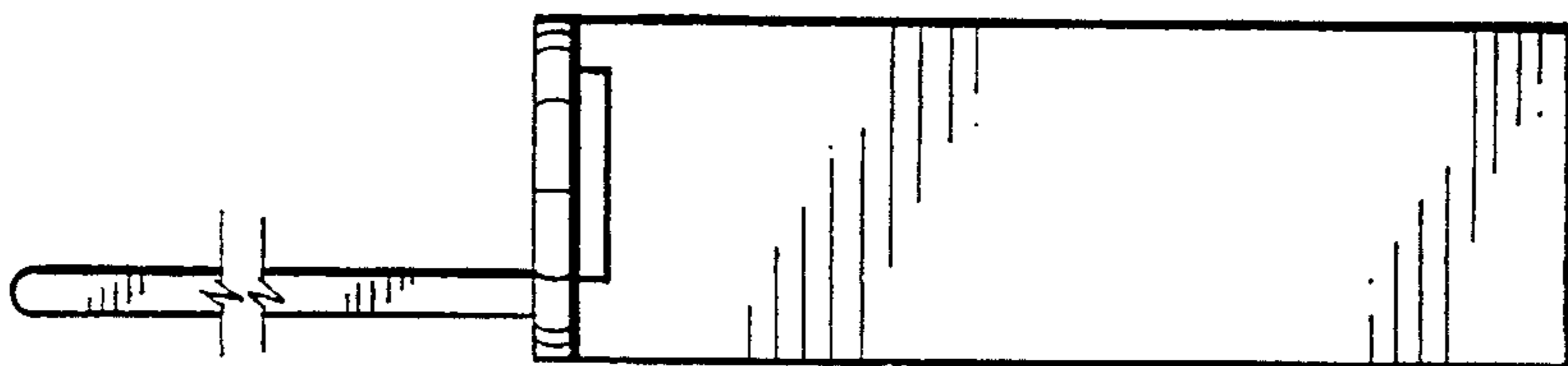


FIG. 2

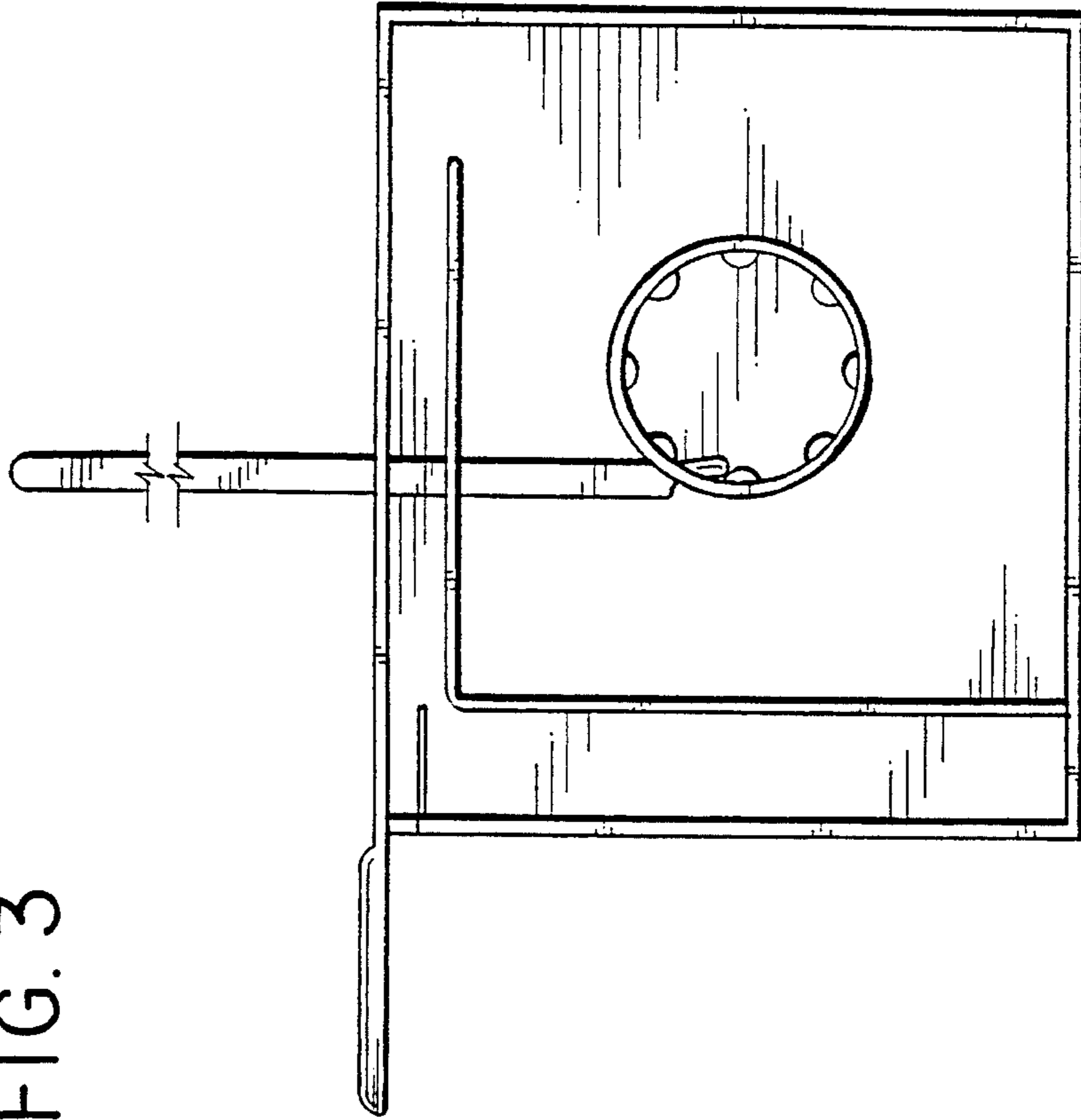


FIG. 4

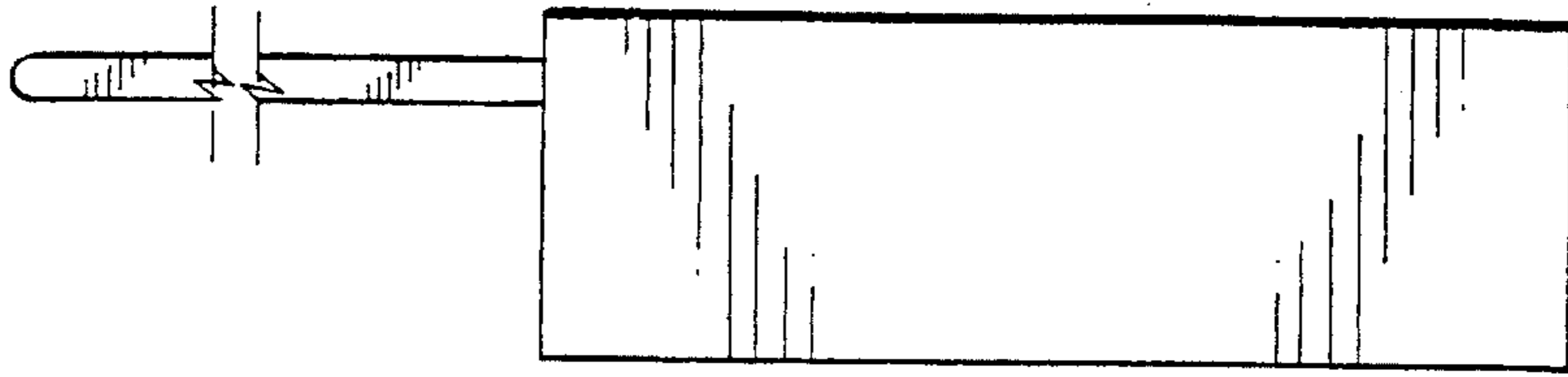


FIG. 5

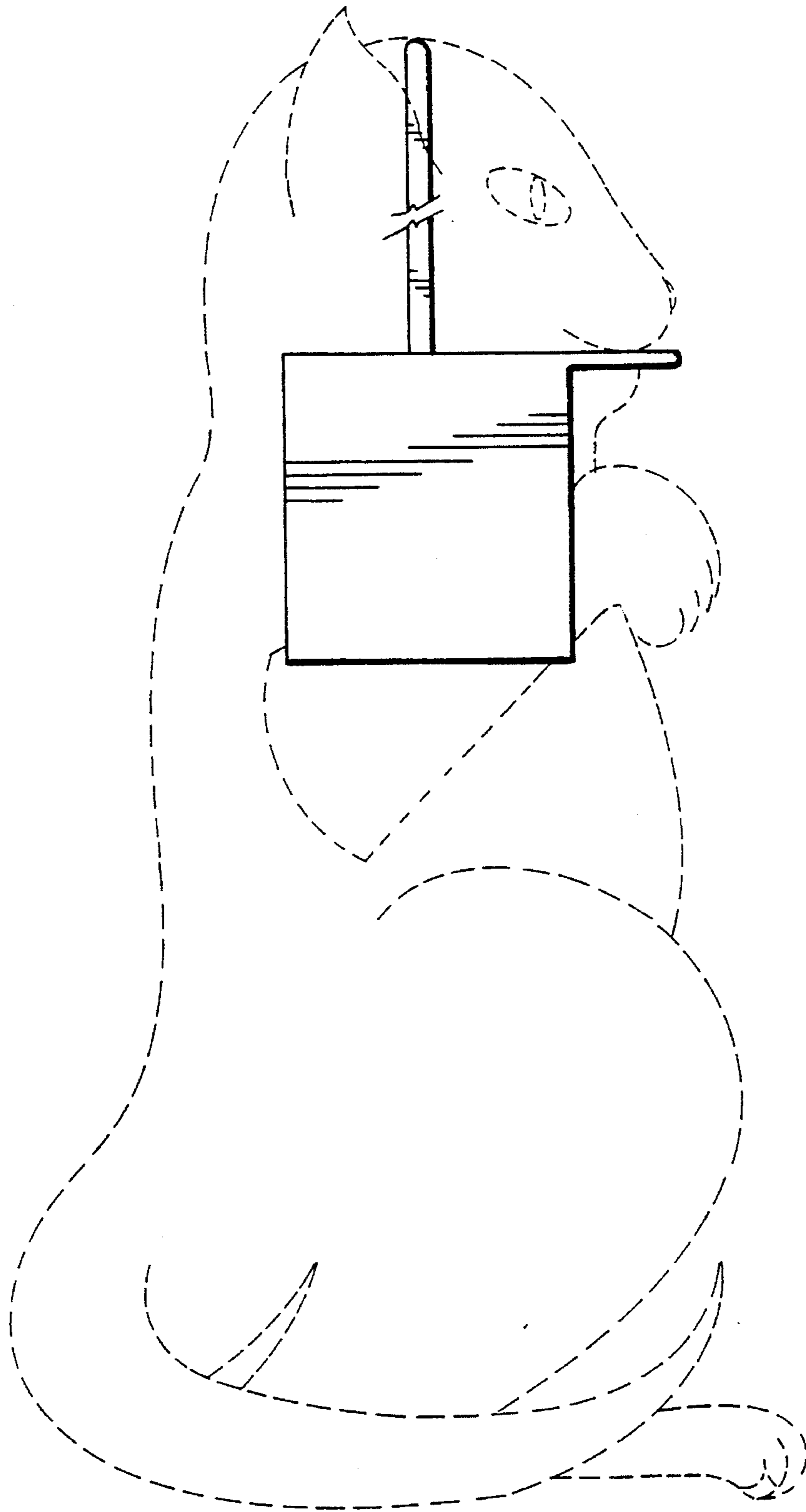


FIG. 6

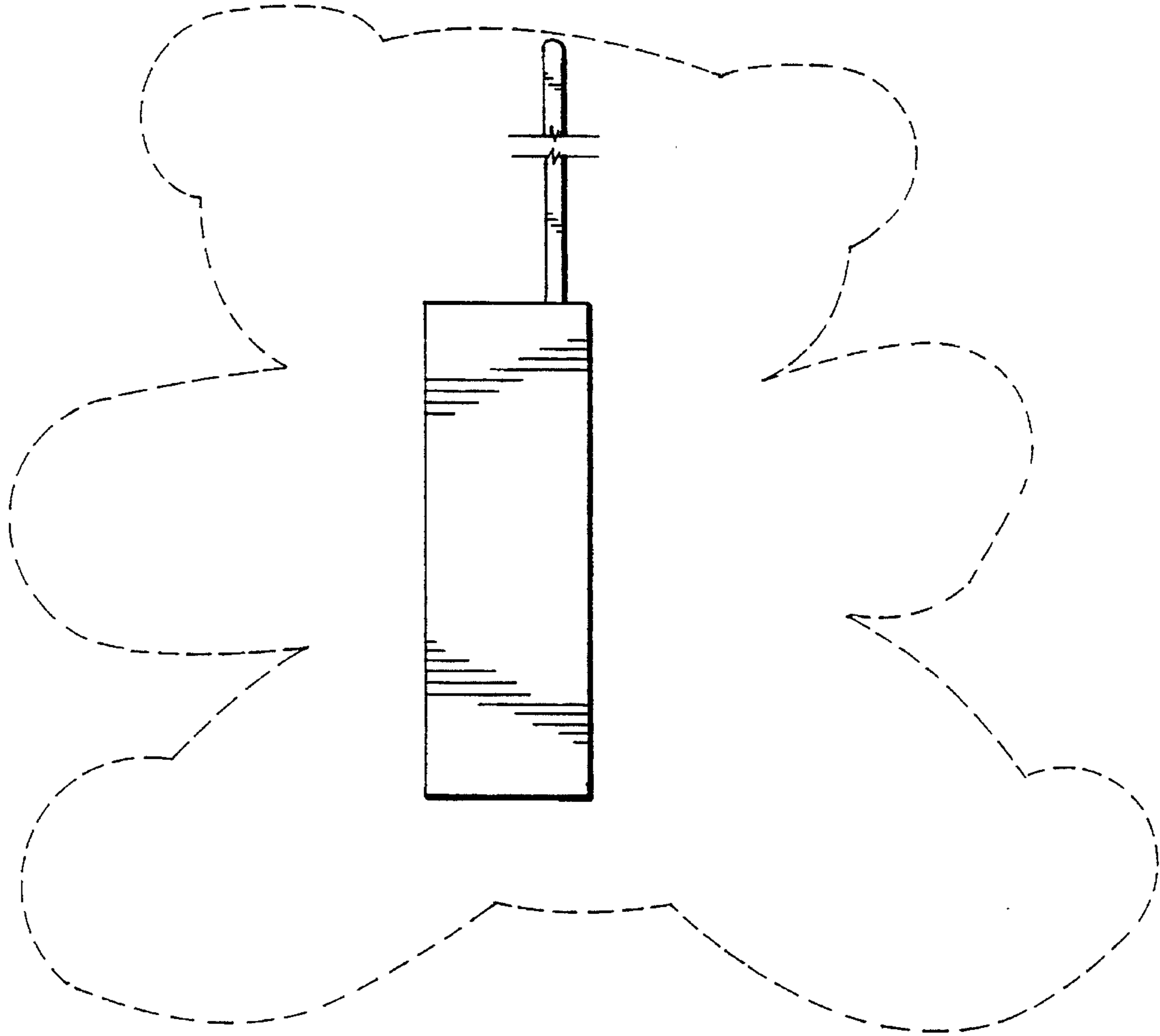


FIG. 7