



US00D376716S

# United States Patent [19]

[11] Patent Number: **Des. 376,716**

Nemeth, Jr.

[45] Date of Patent: **\*\*Dec. 24, 1996**

[54] **CHAIR ARMREST**

[75] Inventor: **Steve J. Nemeth, Jr.**, Park Township, Ottawa County, Mich.

[73] Assignee: **Haworth, Inc.**, Holland, Mich.

[\*\*] Term: **14 Years**

[21] Appl. No.: **40,055**

[22] Filed: **Jun. 9, 1995**

[52] U.S. Cl. .... **D6/501**

[58] Field of Search ..... D6/500-502, 334, D6/368, 366; 297/411, 2, 411.25, 411.26, 411.27, 411.45, 411.46

[56] **References Cited**

**U.S. PATENT DOCUMENTS**

D. 277,916	3/1985	Aronowitz et al. ....	D6/501
D. 340,589	10/1993	Chu .....	D6/366
D. 349,621	8/1994	Wilson .....	D6/501
4,961,610	10/1990	Reeder et al. ....	297/411.35
5,415,459	5/1995	Schultz .....	297/411.2 X

*Primary Examiner*—Janice E. Seeger  
*Attorney, Agent, or Firm*—Flynn, Thiel, Boutell & Tanis, P.C.

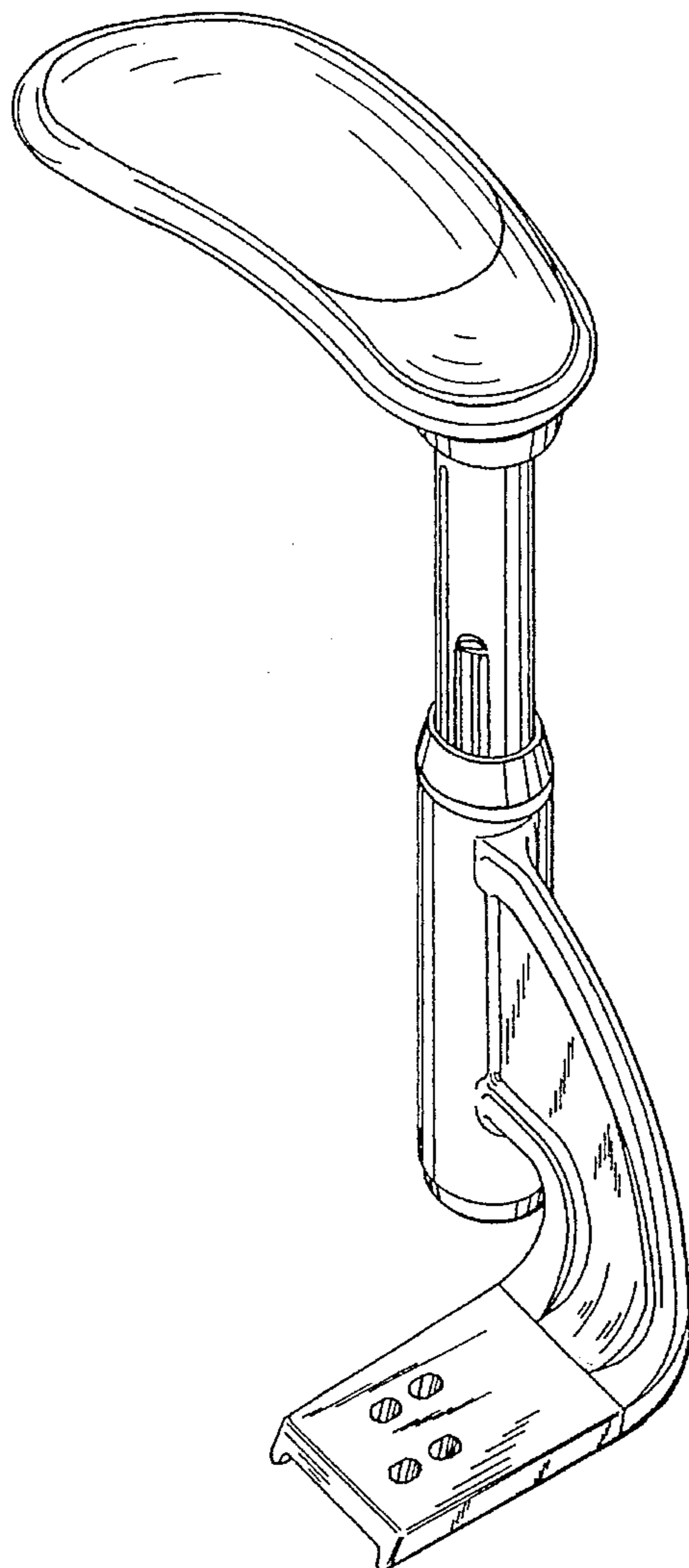
[57] **CLAIM**

The ornamental design of a chair armrest, as shown and described.

**DESCRIPTION**

FIG. 1 is a perspective view of a chair armrest embodying my design;  
FIG. 2 is a right-side elevational view thereof;  
FIG. 3 is a left-side elevational view thereof;  
FIG. 4 is a top plan view thereof;  
FIG. 5 is a front elevational view thereof;  
FIG. 6 is a rear elevational view thereof;  
FIG. 7 is a right-side elevational view of a modified chair armrest embodying my invention;  
FIG. 8 is a left-side elevational view thereof;  
FIG. 9 is a top view thereof;  
FIG. 10 is a front elevational view thereof; and,  
FIG. 11 is a rear elevational view thereof.

**1 Claim, 11 Drawing Sheets**



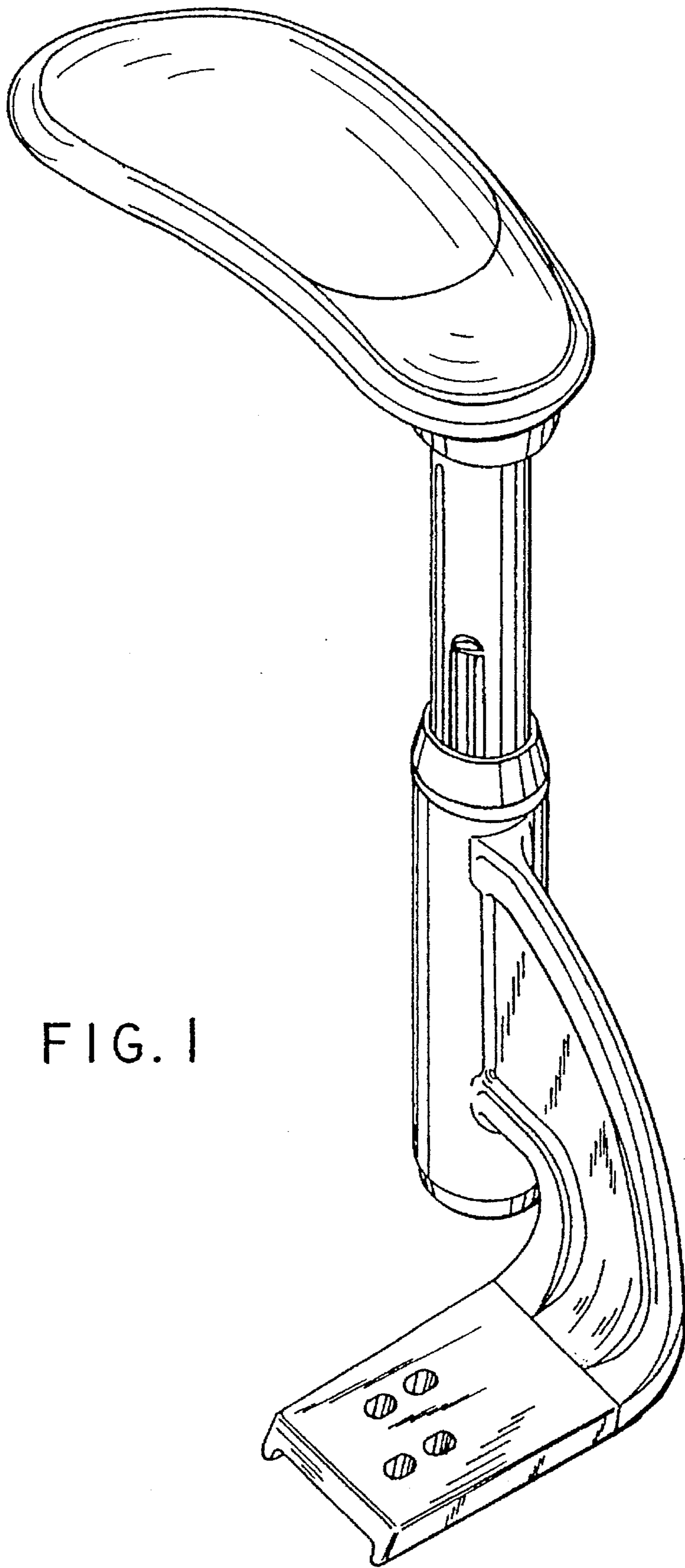


FIG. 1

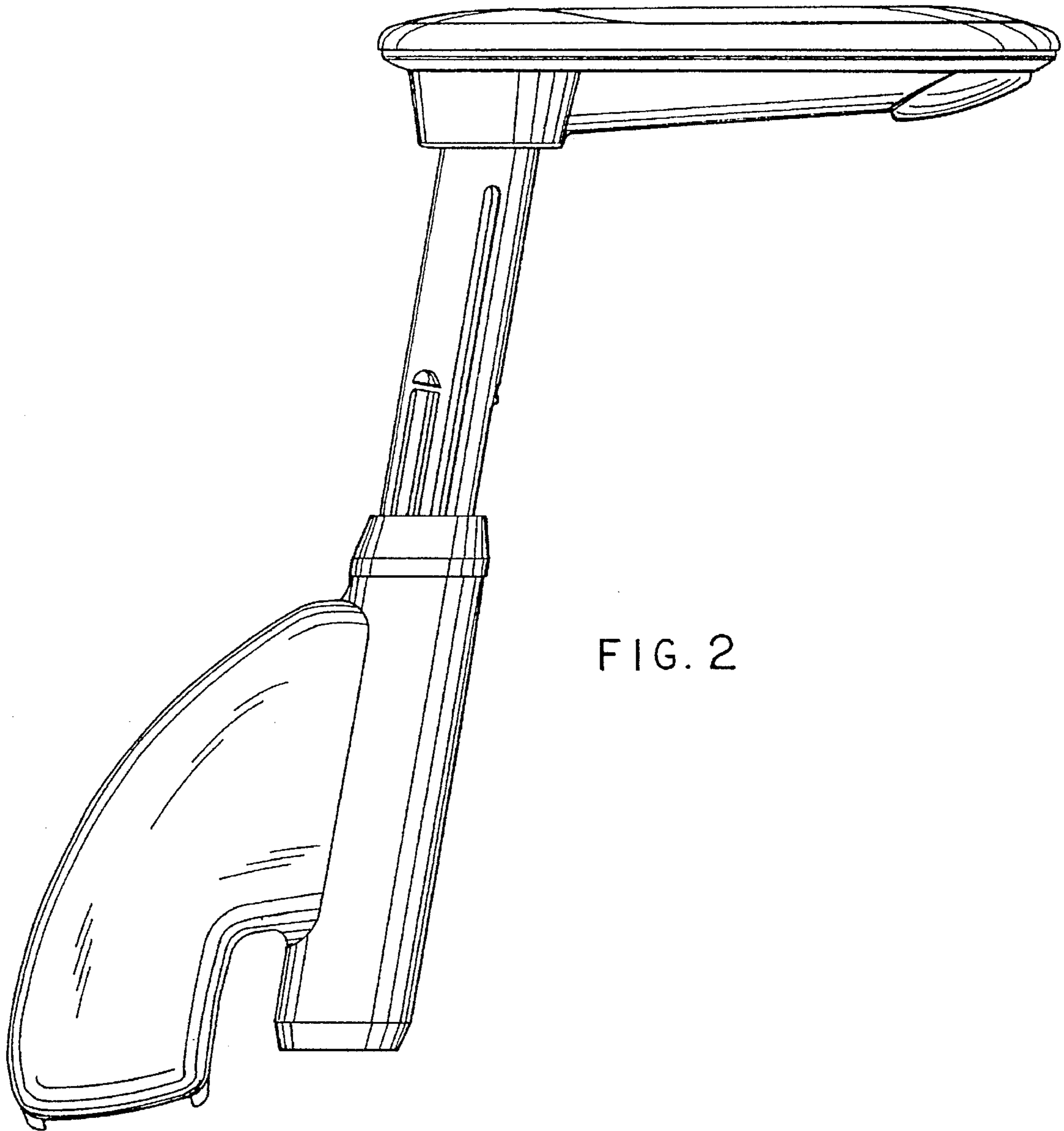


FIG. 2

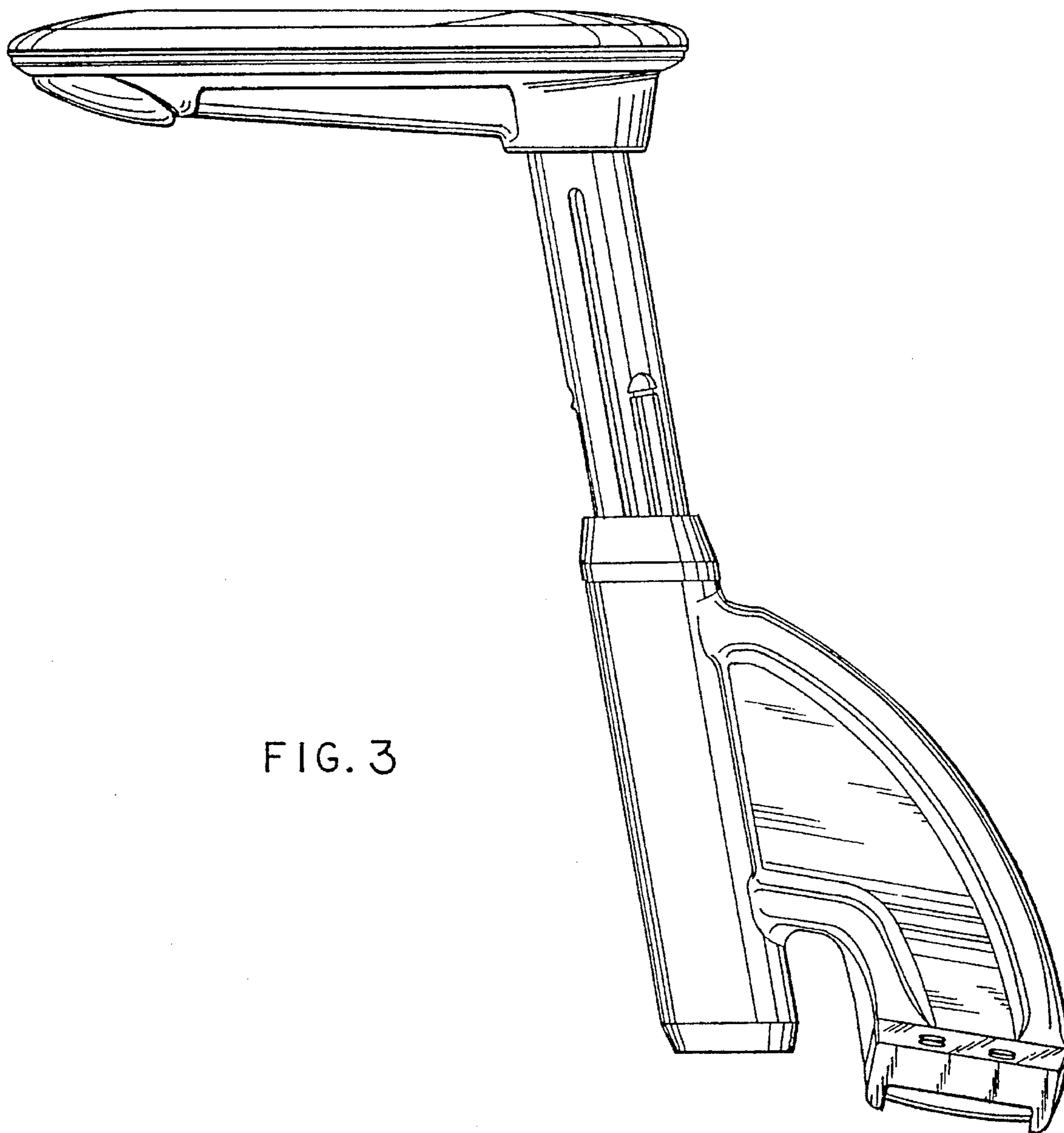


FIG. 3

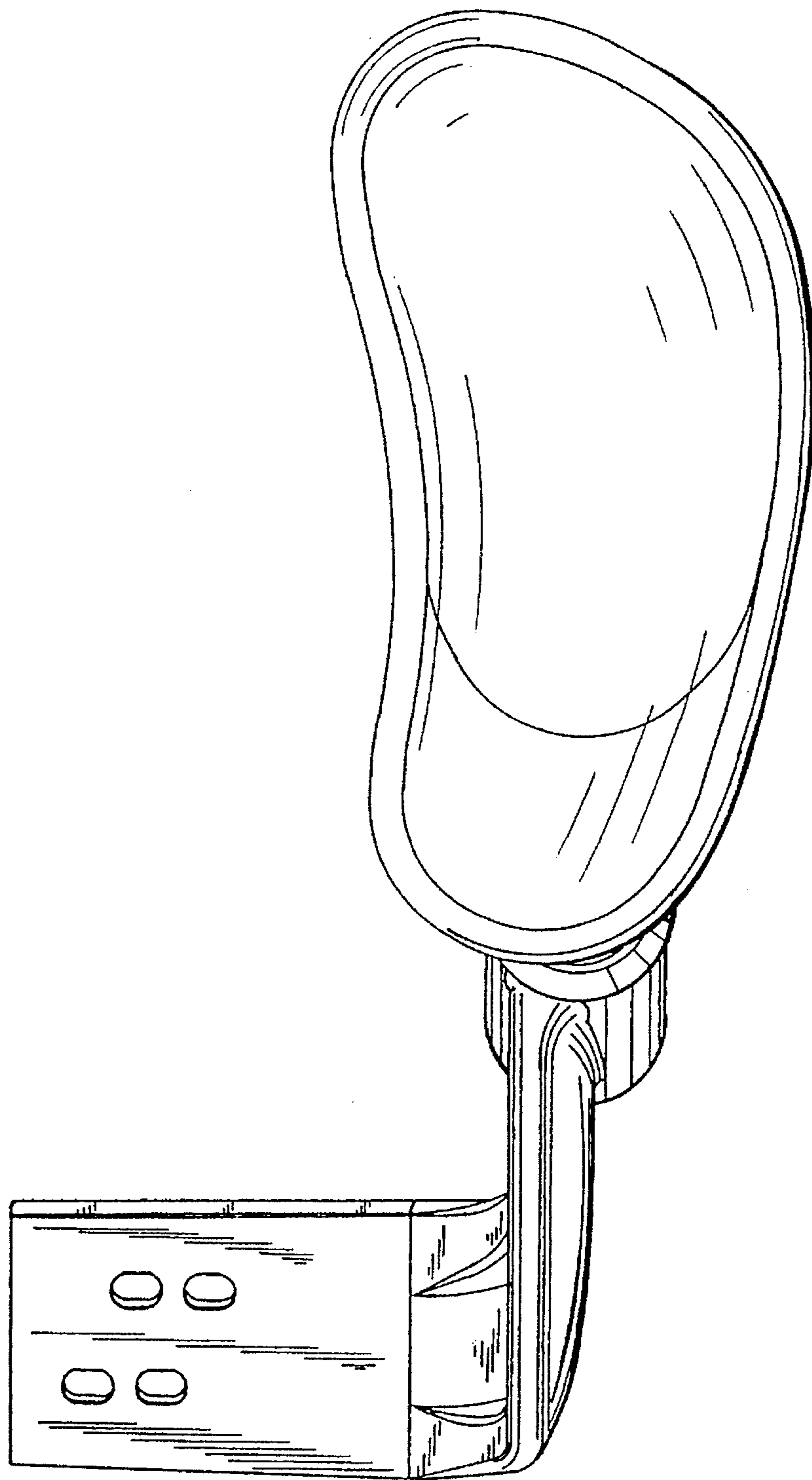


FIG. 4



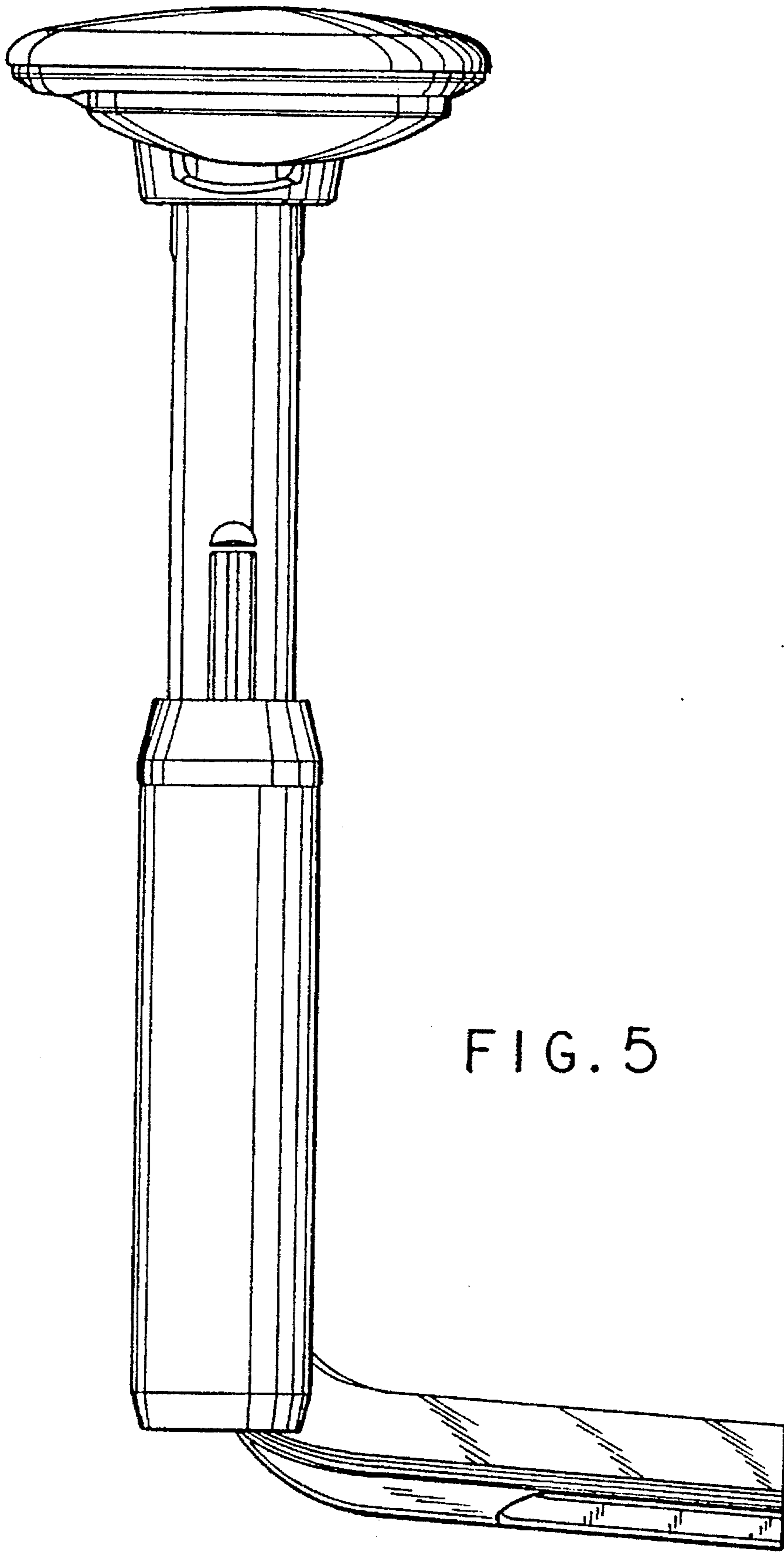


FIG. 5

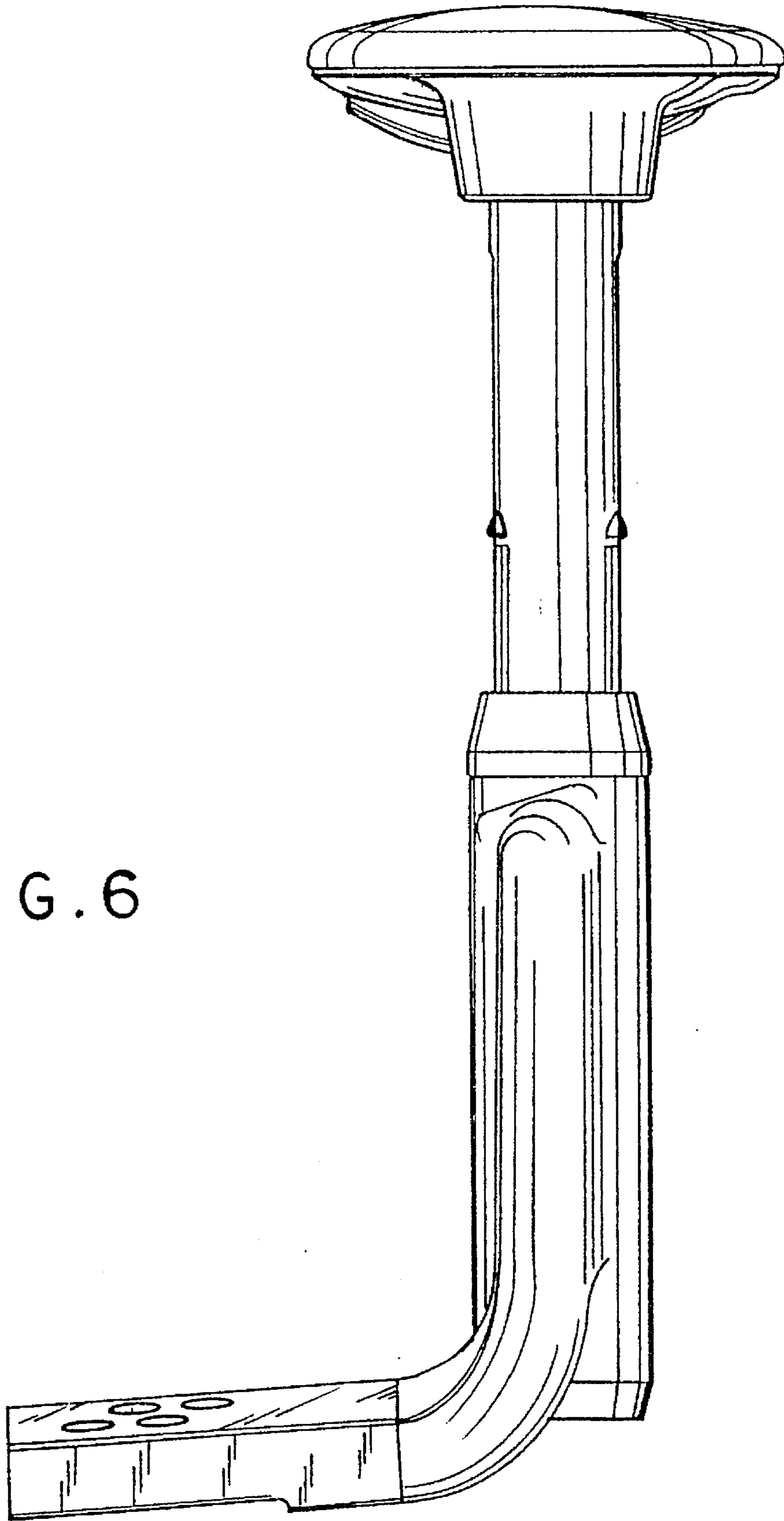


FIG. 6

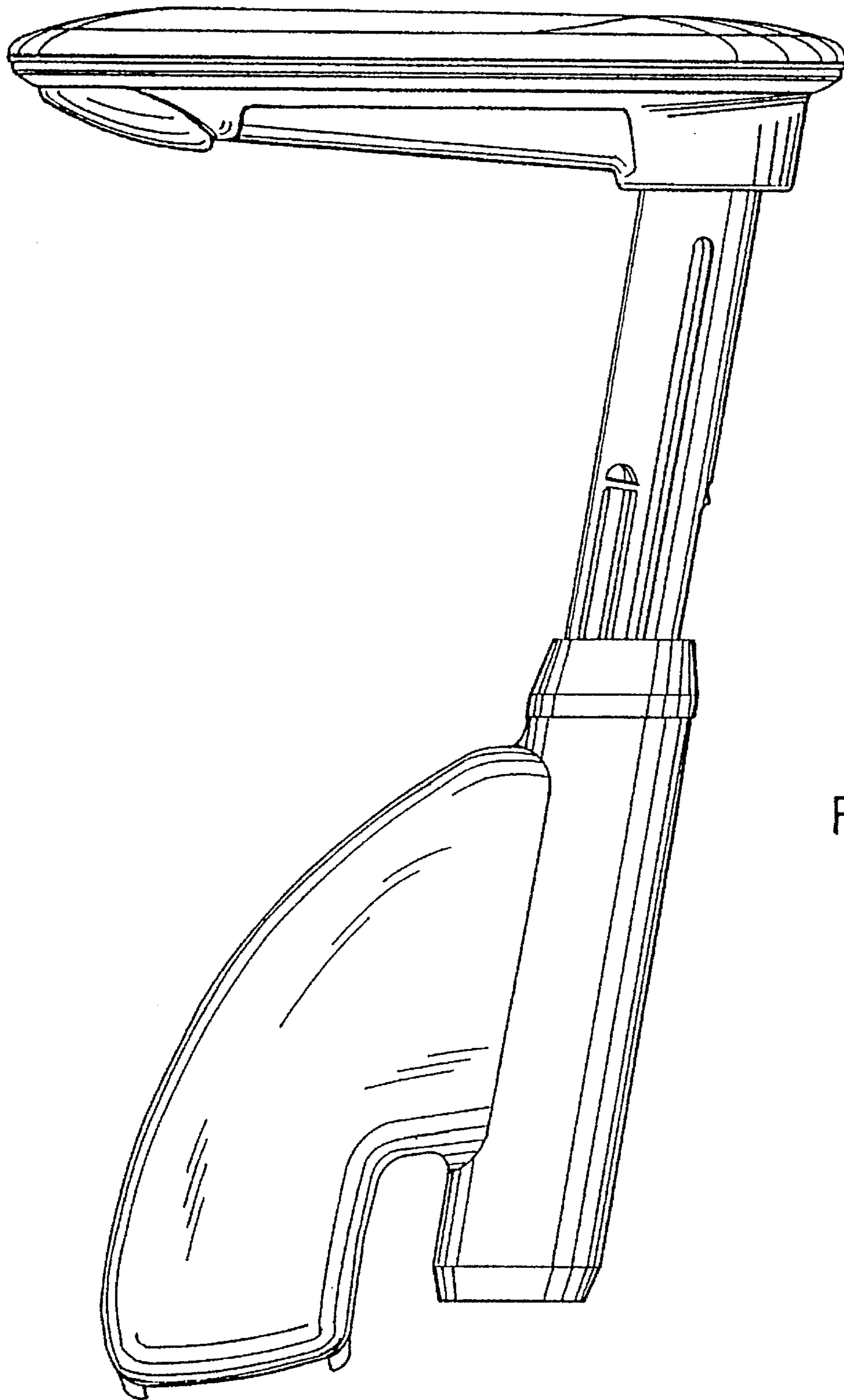


FIG. 7



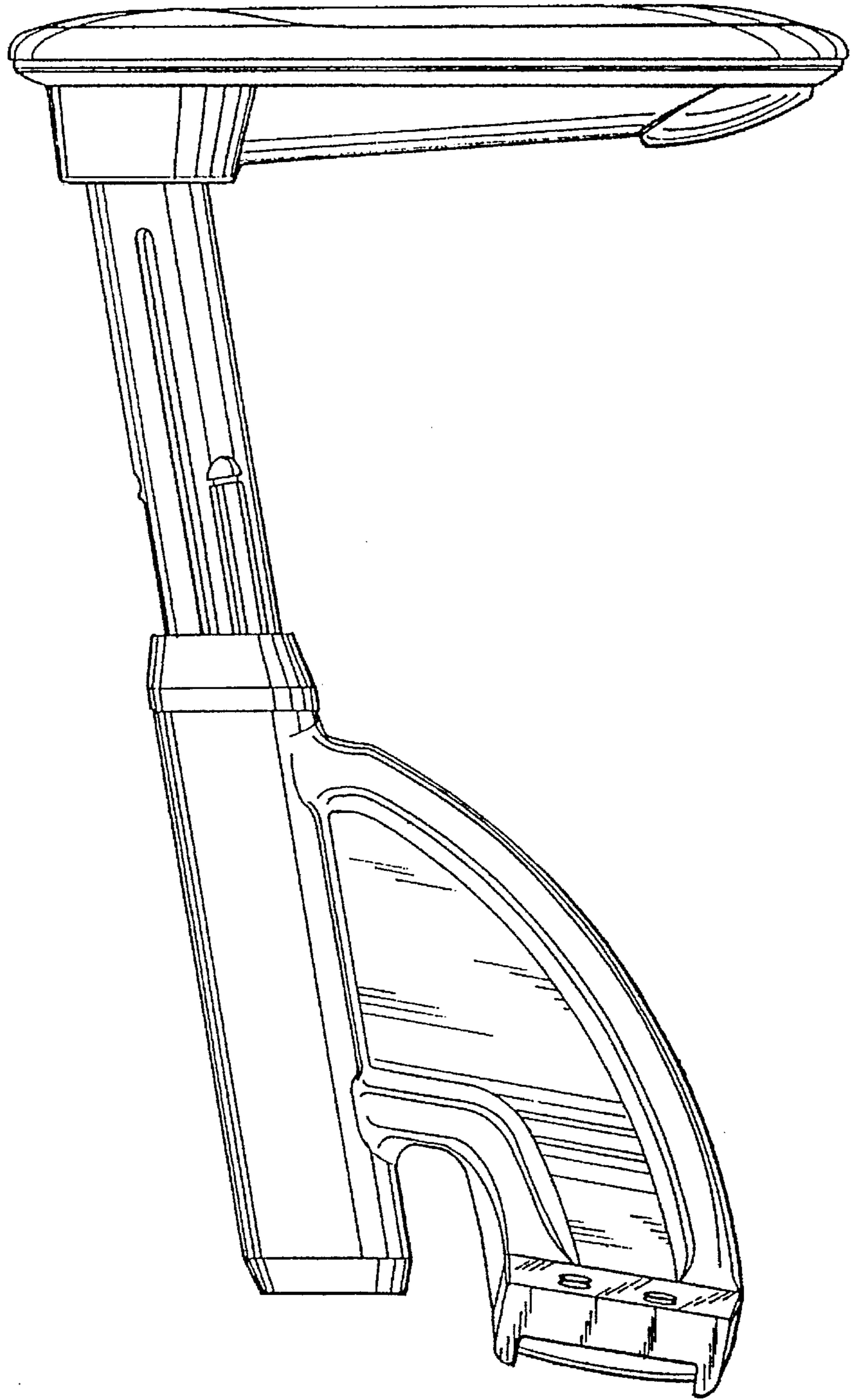


FIG. 8

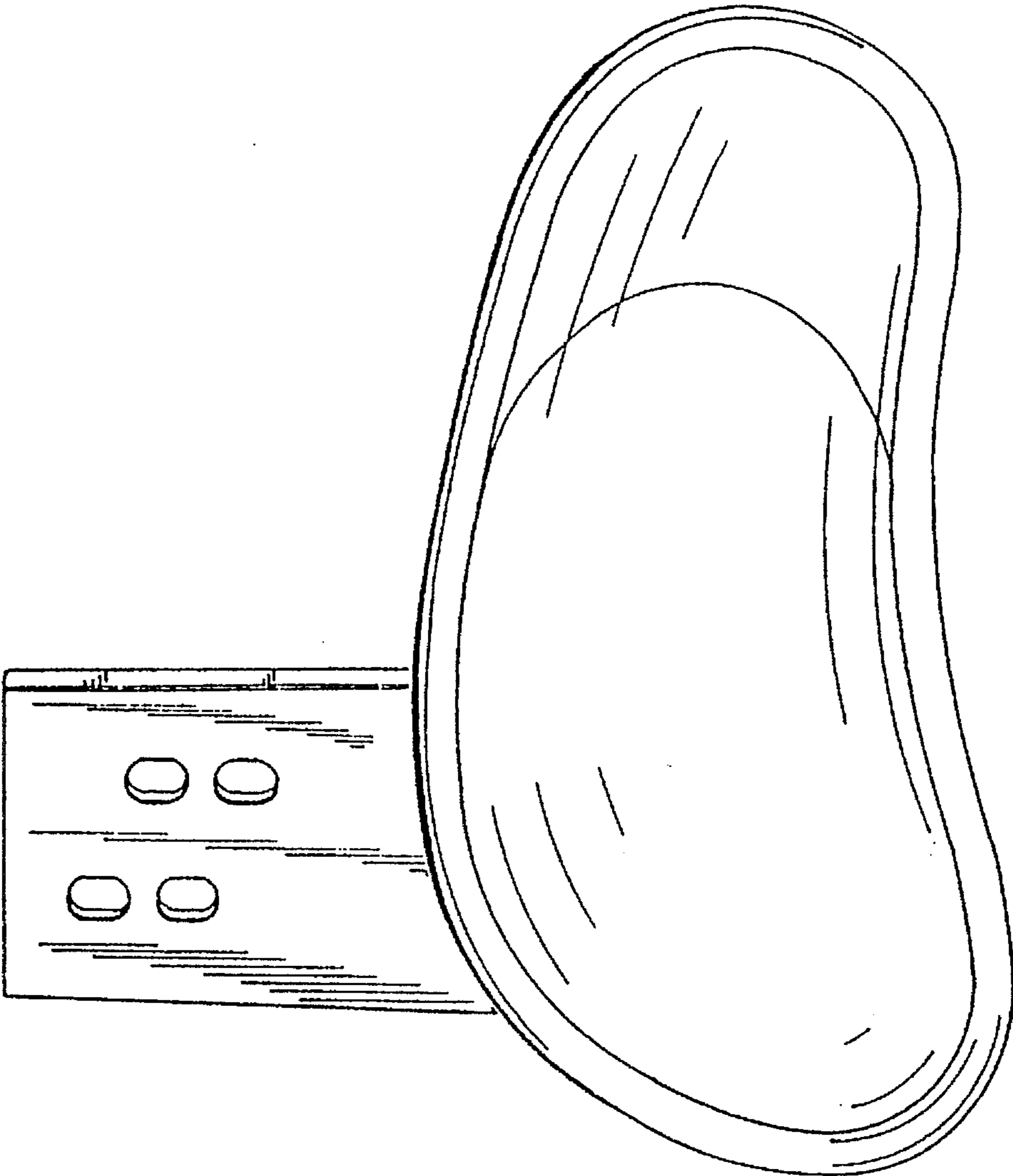


FIG. 9

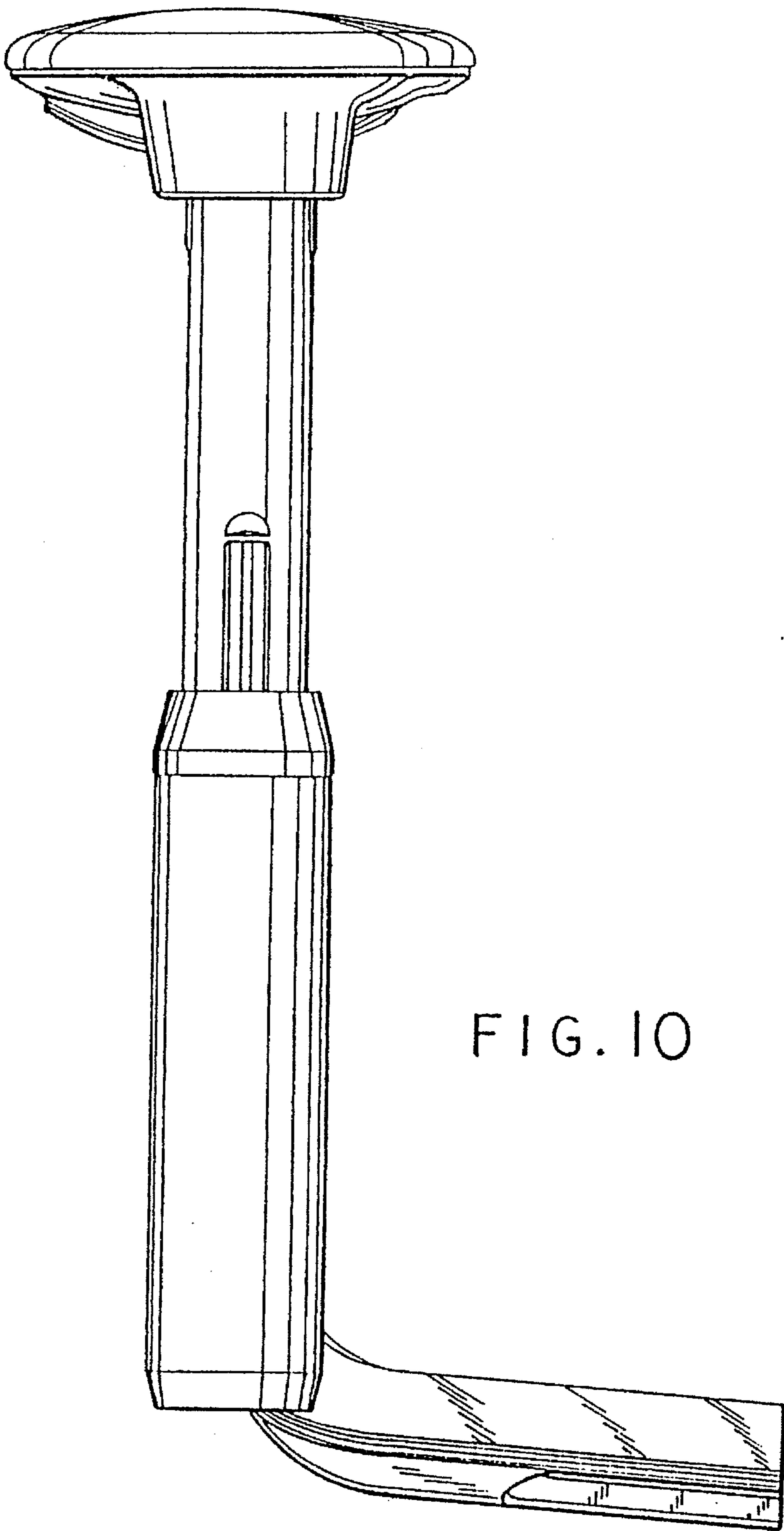


FIG. 10

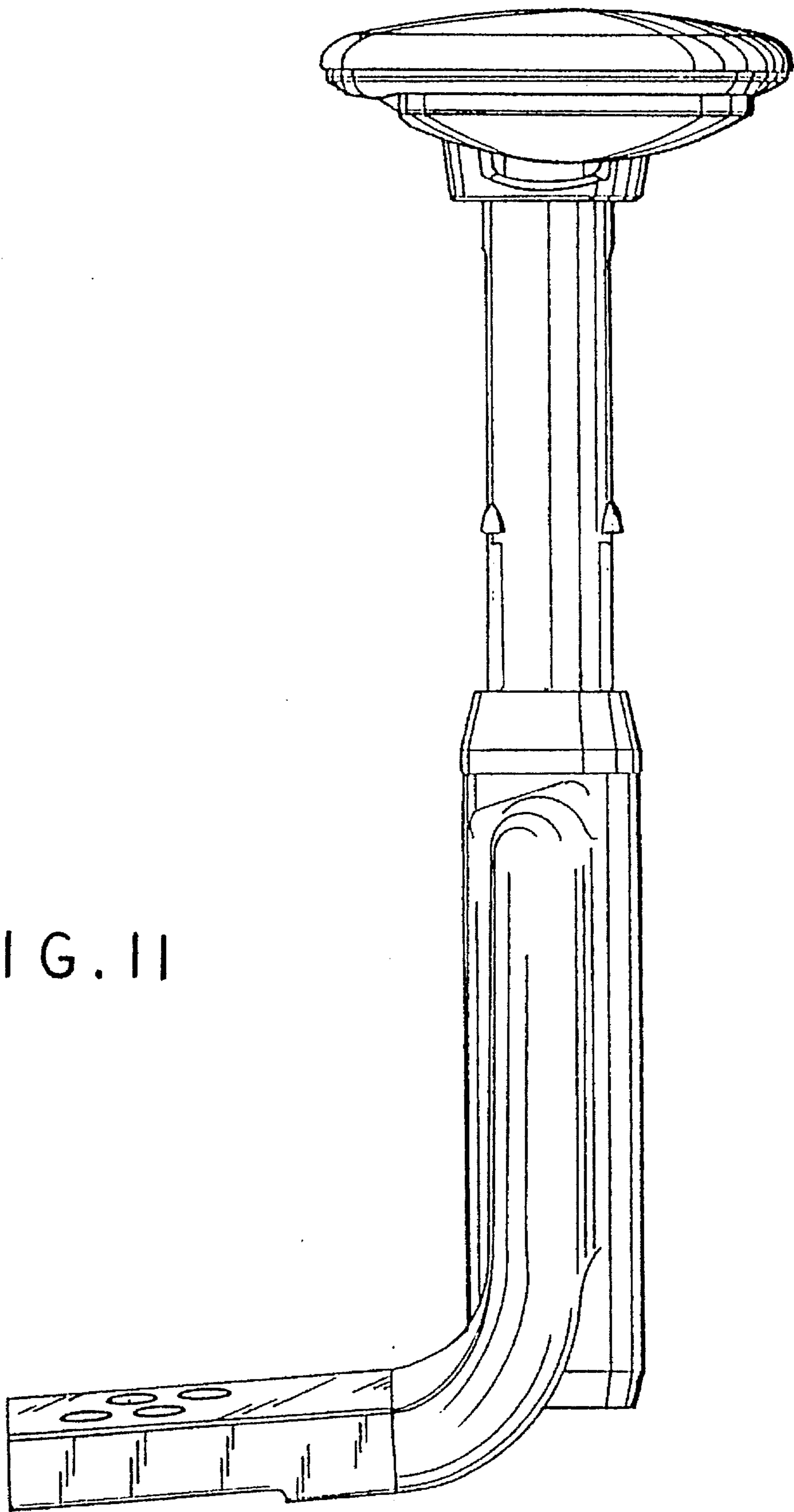


FIG. II