



US00D376713S

United States Patent [19]

Kelso

[11] **Patent Number: Des. 376,713**

[45] **Date of Patent: **Dec. 24, 1996**

[54] ADJUSTABLE LEG

[76] Inventor: **Francis F. Kelso**, 1546 S. Devonshire Ave., Westlake Village, Calif. 91361

[**] Term: **14 Years**

[21] Appl. No.: **40,526**

[22] Filed: **Jun. 21, 1995**

[52] U.S. Cl. **D6/496; D6/495; D8/374**

[58] Field of Search **D6/495, 496, 499, D6/480-489; 248/188.4; D8/374, 387**

[56] References Cited

U.S. PATENT DOCUMENTS

| | | | |
|------------|---------|----------------------|-------------|
| D. 282,030 | 1/1986 | Sottsass et al. | D6/422 |
| 2,327,050 | 8/1943 | Kotler | 248/188.4 |
| 2,338,092 | 1/1944 | Brown | 248/188.4 X |
| 3,224,718 | 12/1965 | Fairchild | 248/188.4 X |
| 4,016,703 | 12/1977 | Champoux et al. | D8/387 |
| 4,576,352 | 3/1986 | Ogden | 248/188.4 |
| 5,203,039 | 4/1993 | Fredman | 248/188.4 X |
| 5,332,182 | 7/1994 | Weisz et al. | 248/188.4 |
| 5,502,852 | 4/1996 | Fredman et al. | 248/188.4 |

Primary Examiner—Janice E. Seeger
Attorney, Agent, or Firm—Andra Vaccaro

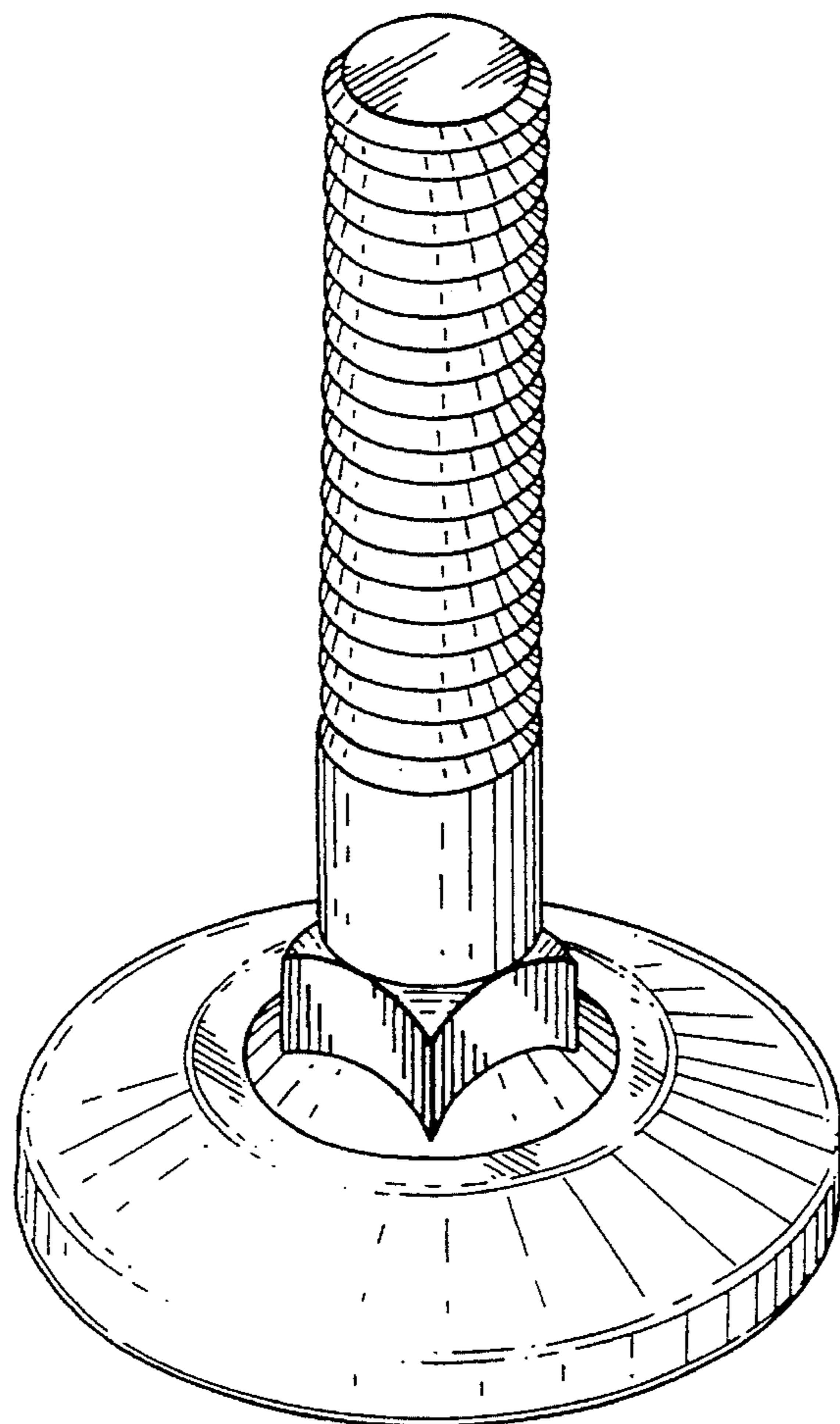
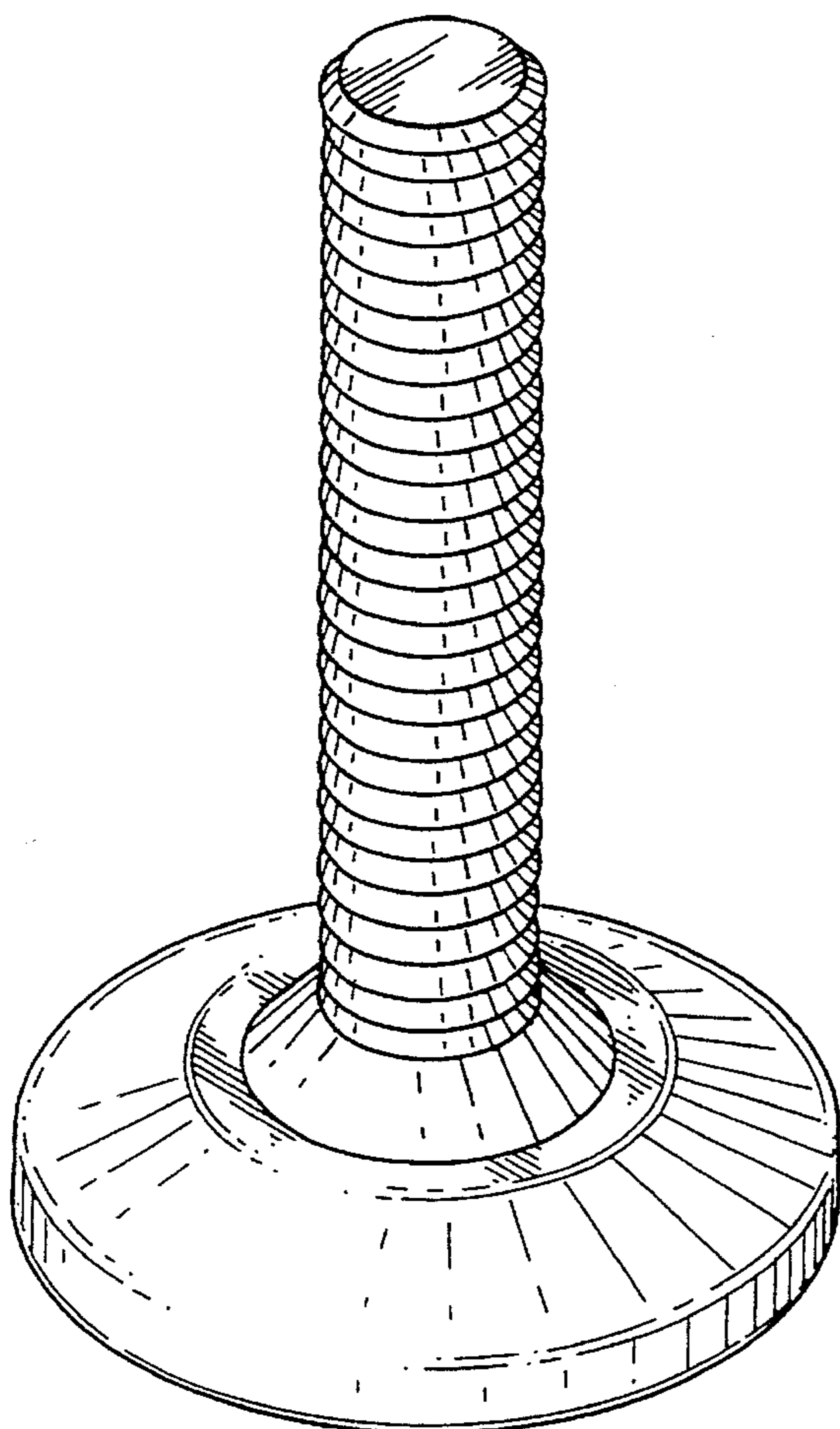
[57] CLAIM

The ornamental design for a adjustable leg, as shown and described.

DESCRIPTION

FIG. 1 is a perspective view showing the top, front and left side of the adjustable leg, showing my preferred design; FIG. 2 is a top plan view of the design of the adjustable leg shown in FIG. 1; FIG. 3 is a bottom plan view of the design of the adjustable leg in FIG. 1; FIG. 4 is a front elevational view with all sides being symmetrical of the design of the adjustable leg shown in FIG. 1; and FIG. 5 is a perspective view showing the top, front and left side of the adjustable leg of the design of the adjustable leg shown an alternate embodiment; FIG. 6 is a top plan view of the design of the adjustable leg in FIG. 5; and FIG. 7 is a bottom plan view of the design of the adjustable leg shown in FIG. 5; and FIG. 8 is a front elevational view with all sides being symmetrical of the design of the adjustable leg shown in FIG. 5.

1 Claim, 2 Drawing Sheets



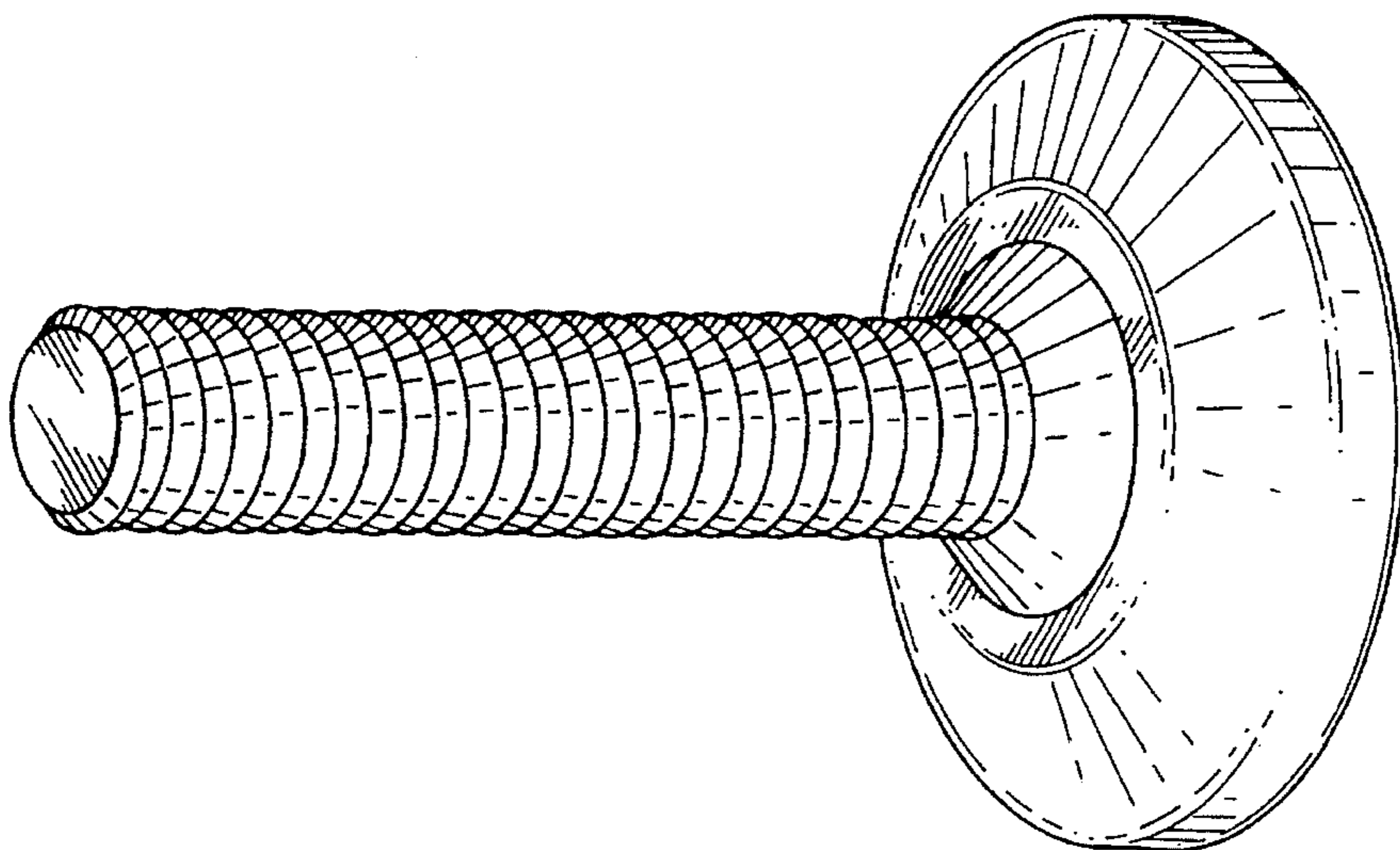


FIG. 1

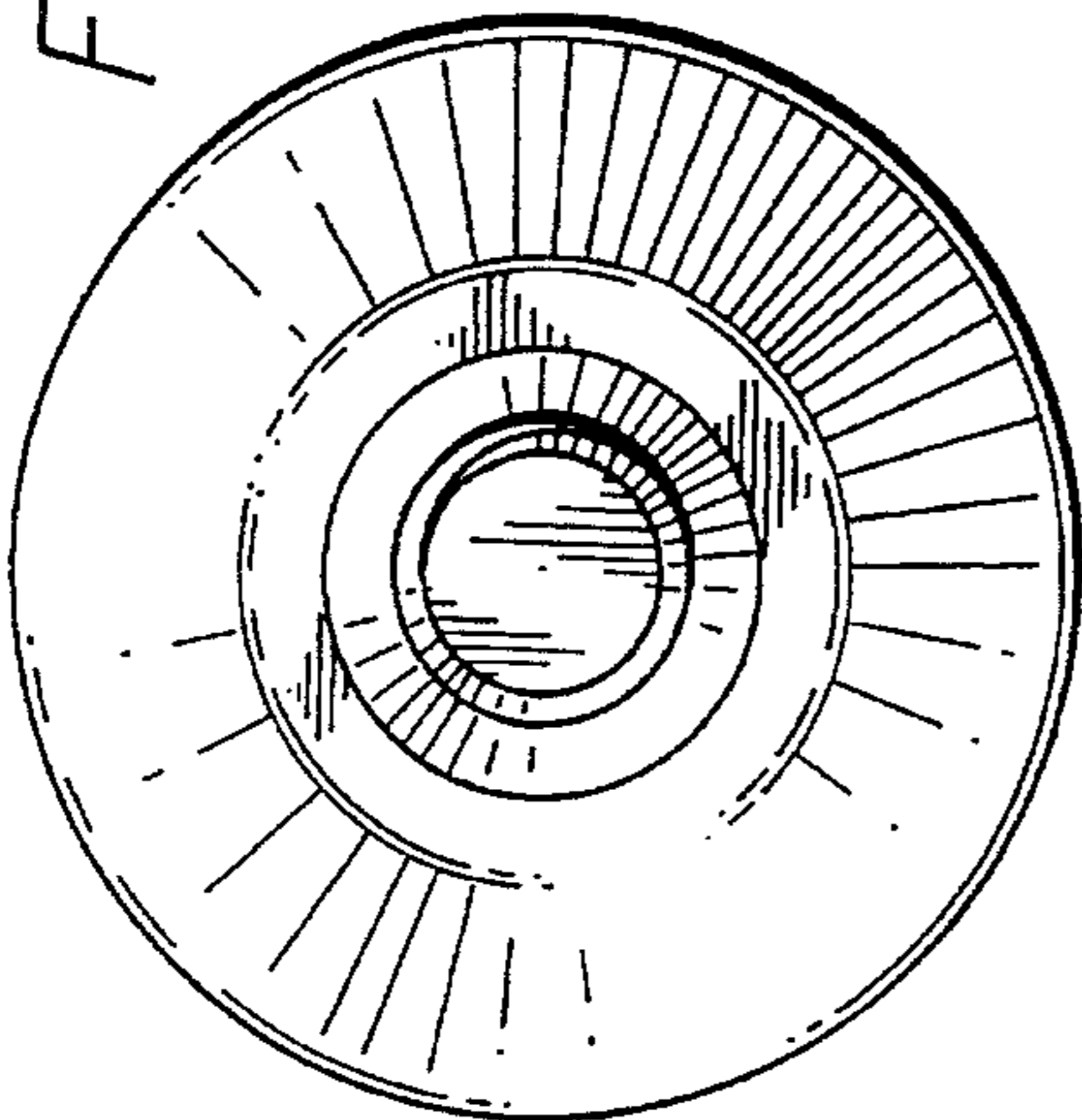


FIG. 2

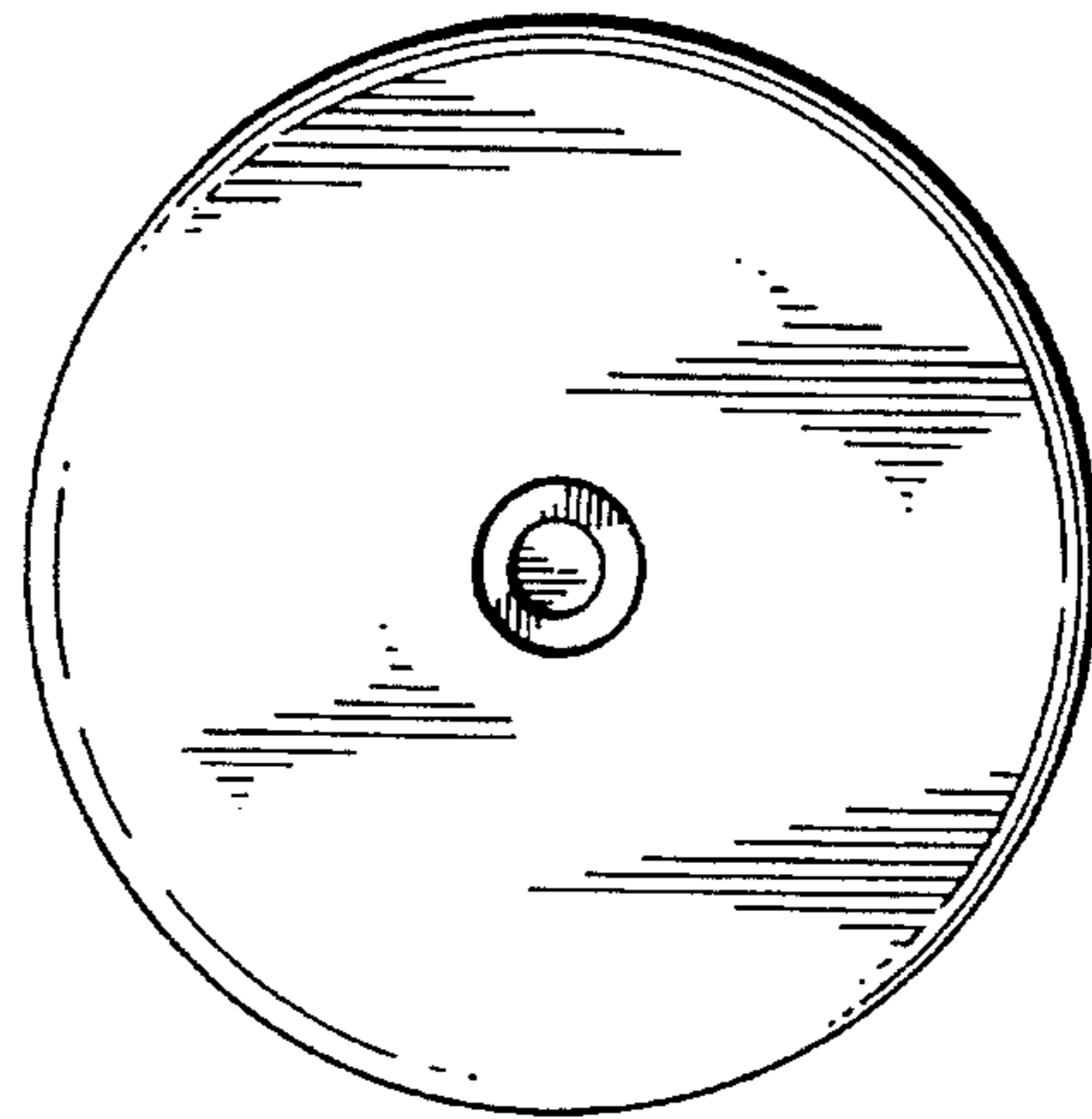


FIG. 3

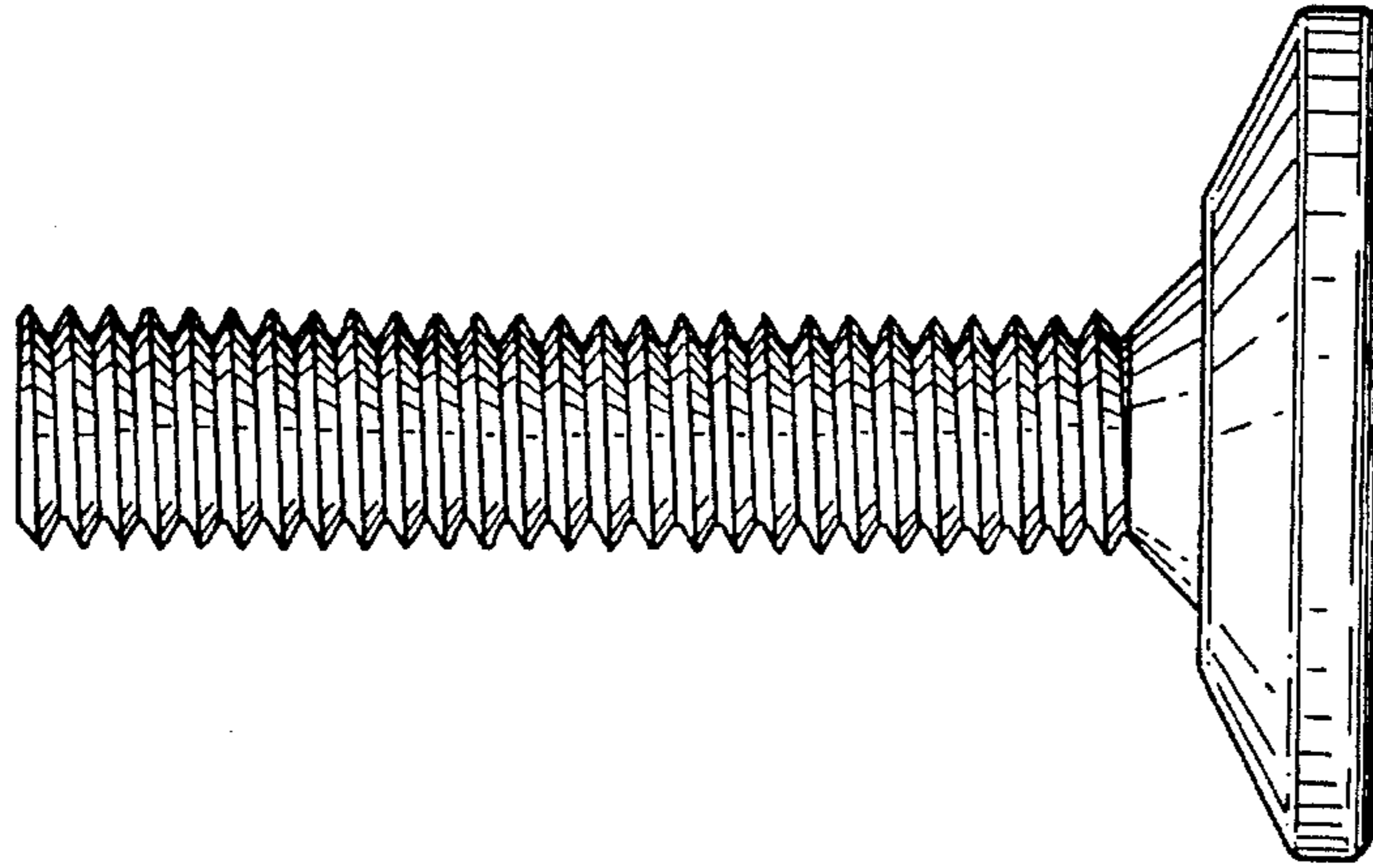


FIG. 4

