



US00D376712S

United States Patent [19]

[11] Patent Number: **Des. 376,712**

Mezger

[45] Date of Patent: ****Dec. 24, 1996**

[54] TABLE

[75] Inventor: **Wolfgang C. R. Mezger**, Eislingen, Germany

[73] Assignee: **Wilhelm Renz GmbH & Co.**, Germany

[**] Term: **14 Years**

[21] Appl. No.: **36,675**

[22] Filed: **Mar. 24, 1995**

[30] Foreign Application Priority Data

Sep. 28, 1994 [DE] Germany M 94 07 813.0

[52] U.S. Cl. **D6/487**; D6/480

[58] Field of Search D6/480-489, 495-499, D6/423, 429; 108/153, 156, 161; 248/188.1, 188, 188.8

[56] References Cited

U.S. PATENT DOCUMENTS

D. 179,900	3/1957	Jones et al.	D6/480
D. 299,196	1/1989	Frinier	D6/499
D. 345,476	3/1994	Burdick et al.	D6/495
D. 354,643	1/1995	Hansel et al.	D6/484

OTHER PUBLICATIONS

Schoner Wohnen, Apr. 1985 p. 202-K, table #2 at left.

Primary Examiner—Janice E. Seeger

Attorney, Agent, or Firm—Walter A. Hackler

[57] CLAIM

The ornamental design for a table, as shown and described.

DESCRIPTION

FIG. 1 is a perspective view of a table, showing my new design;

FIG. 2 is a top plan view thereof;

FIG. 3 is a front elevational view, the rear being identical thereto;

FIG. 4 is a side elevational view, the opposite side being identical thereto;

FIG. 5 is a bottom plan view thereof;

FIG. 6 is a perspective view of a table, showing a second embodiment of my new design;

FIG. 7 is a top plan view thereof;

FIG. 8 is a front elevational view, the rear being identical thereto;

FIG. 9 is a side elevational view, the opposite side being identical thereto; and,

FIG. 10 is a bottom plan view thereof.

1 Claim, 2 Drawing Sheets

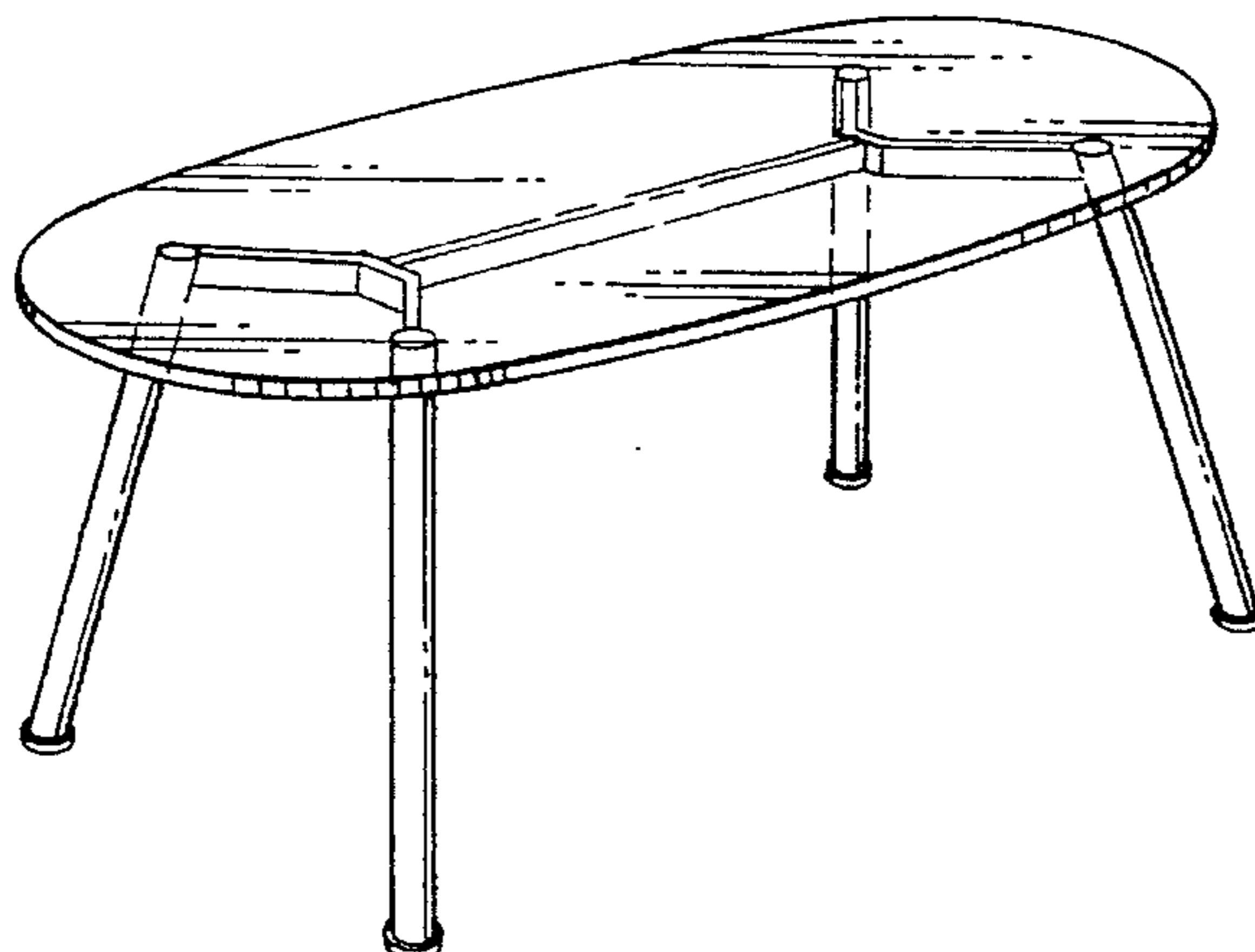
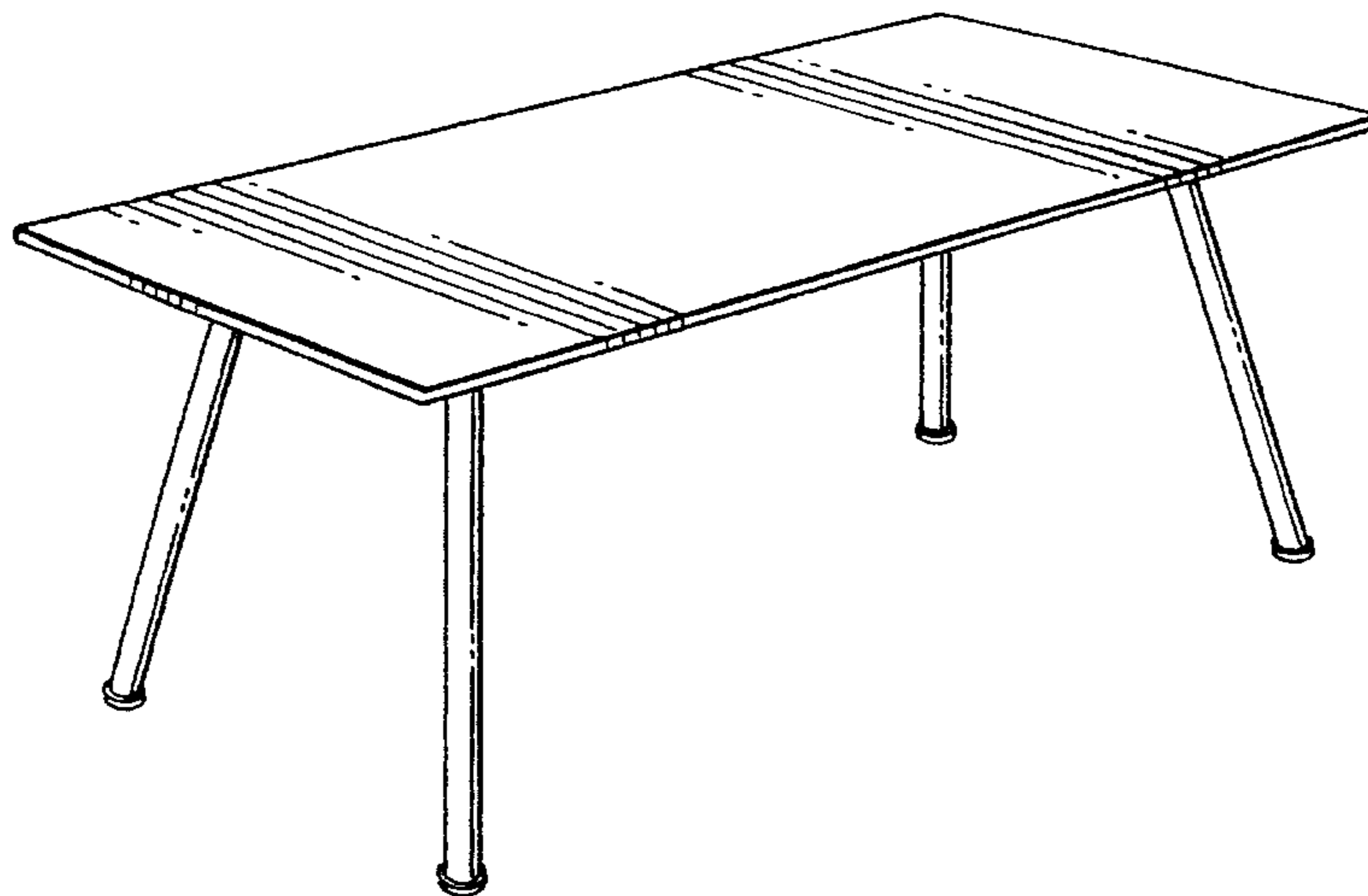


FIG. 1.

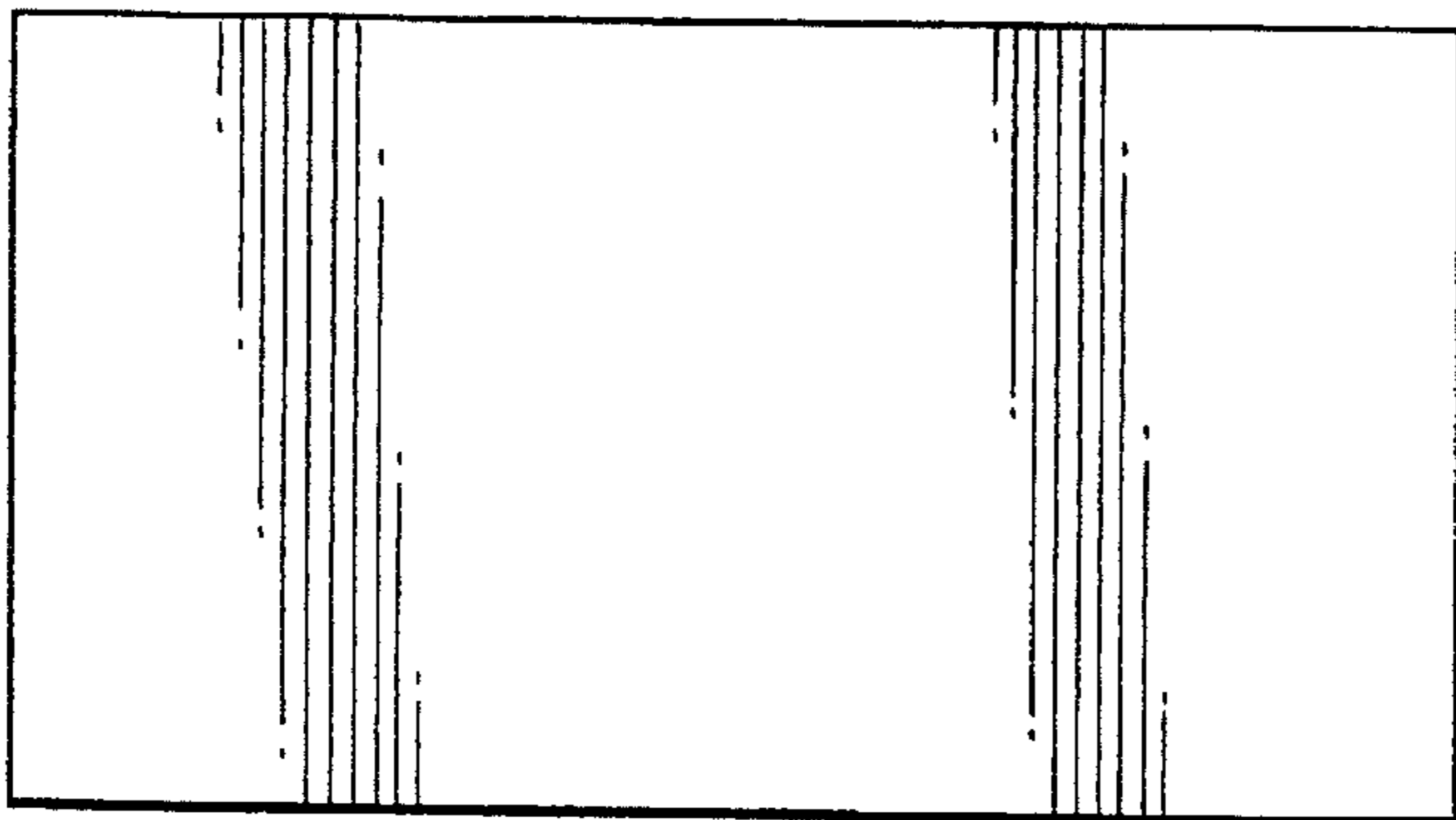
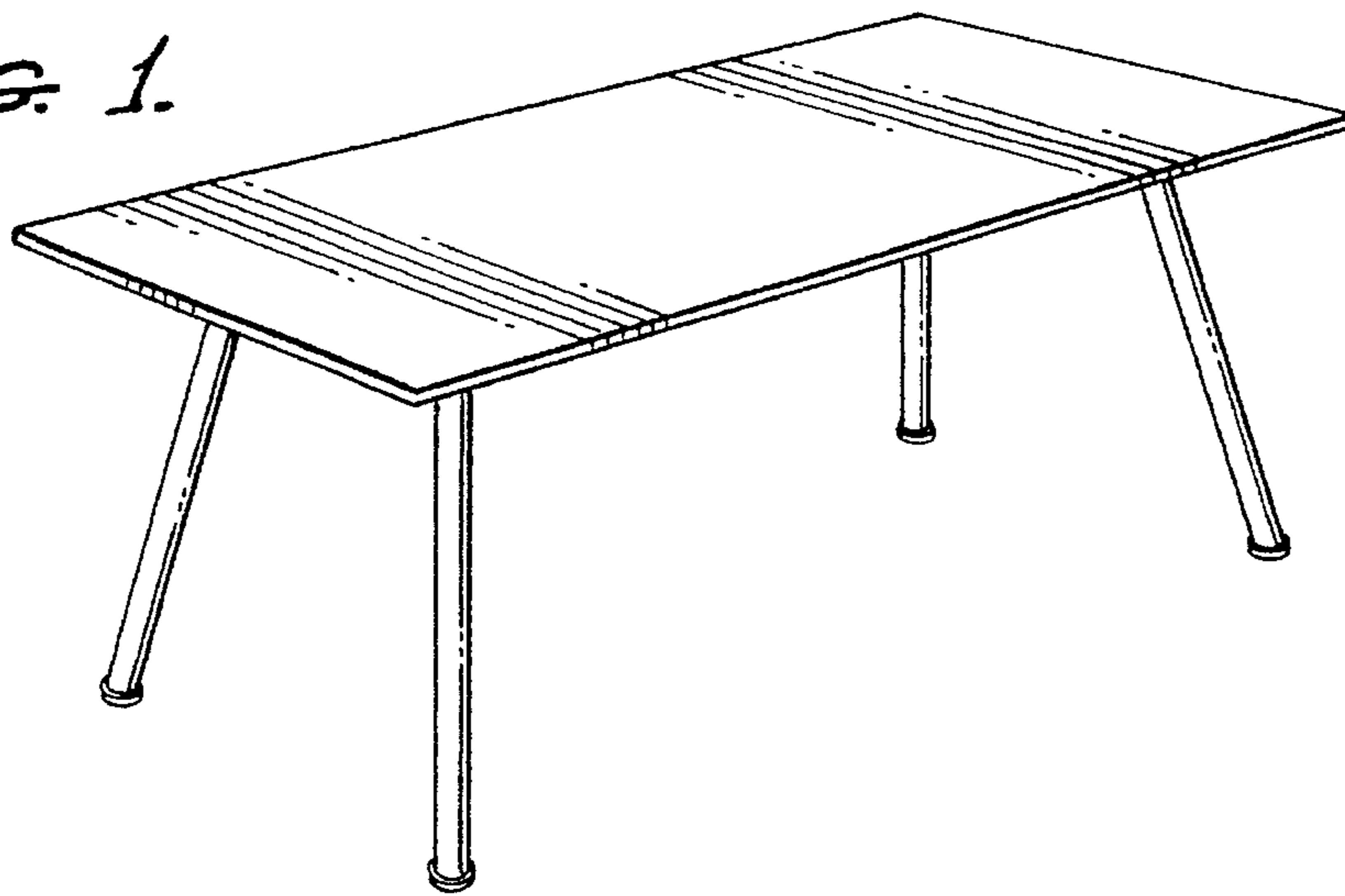


FIG. 2.

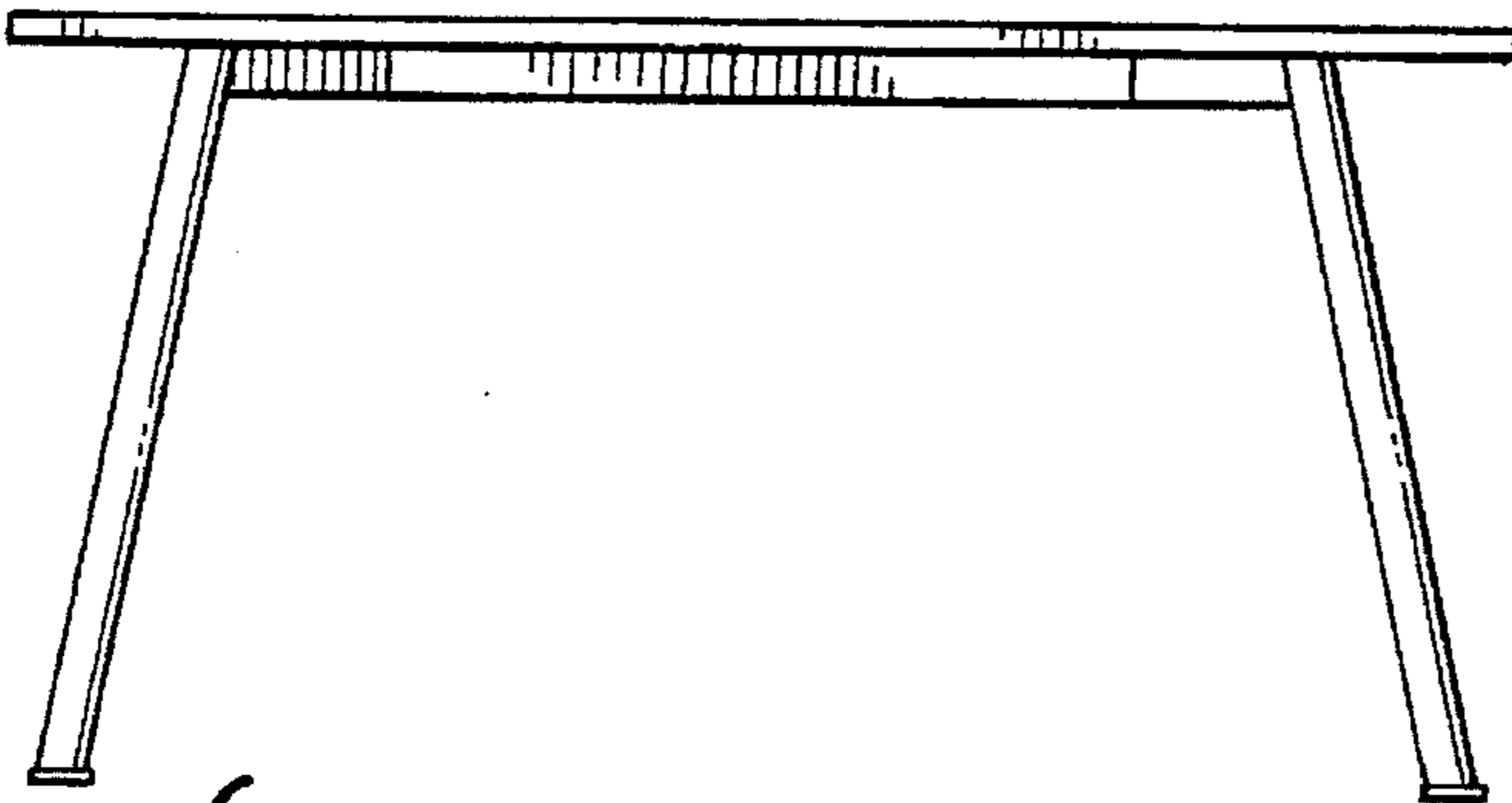


FIG. 3.

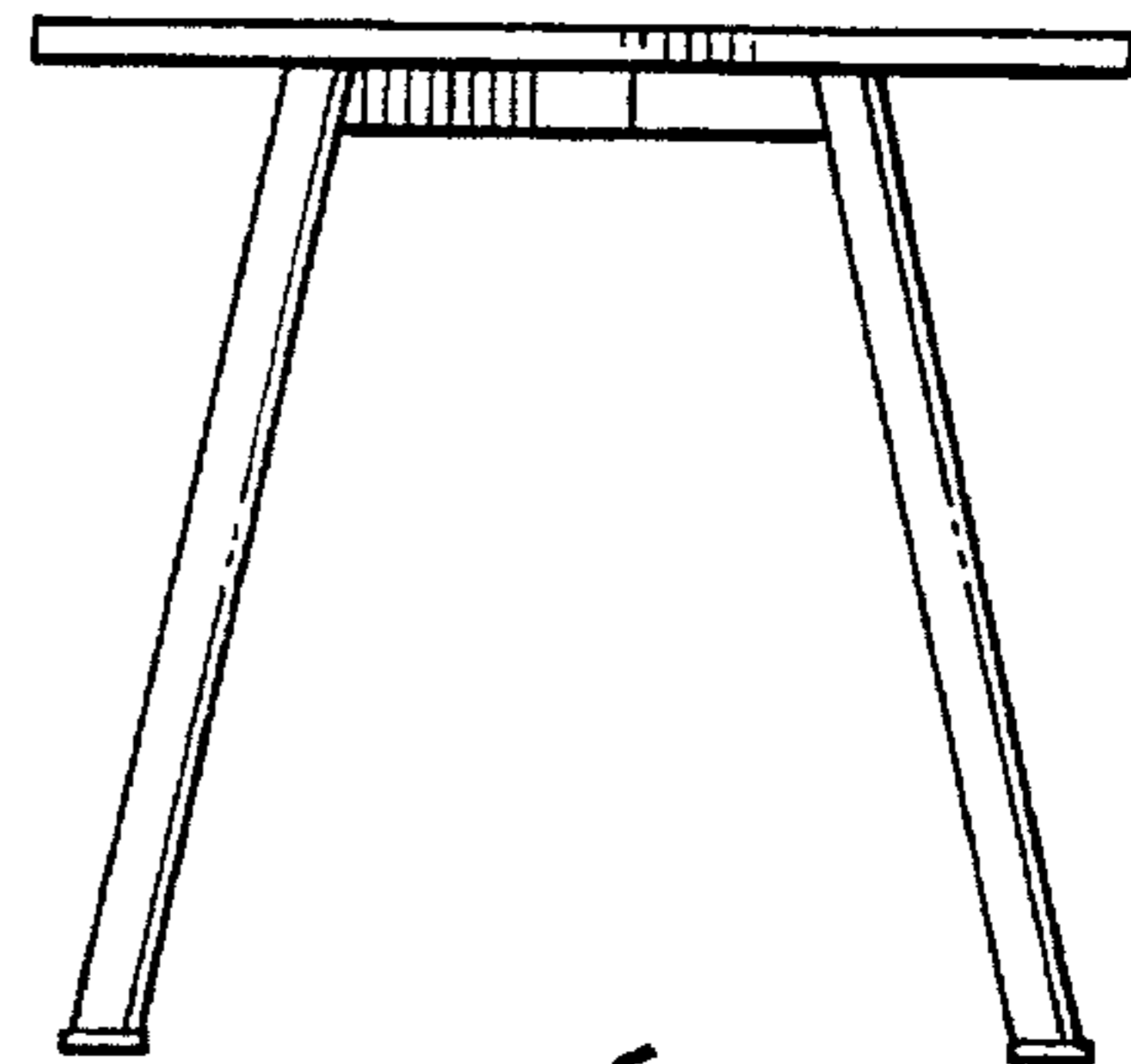


FIG. 4.

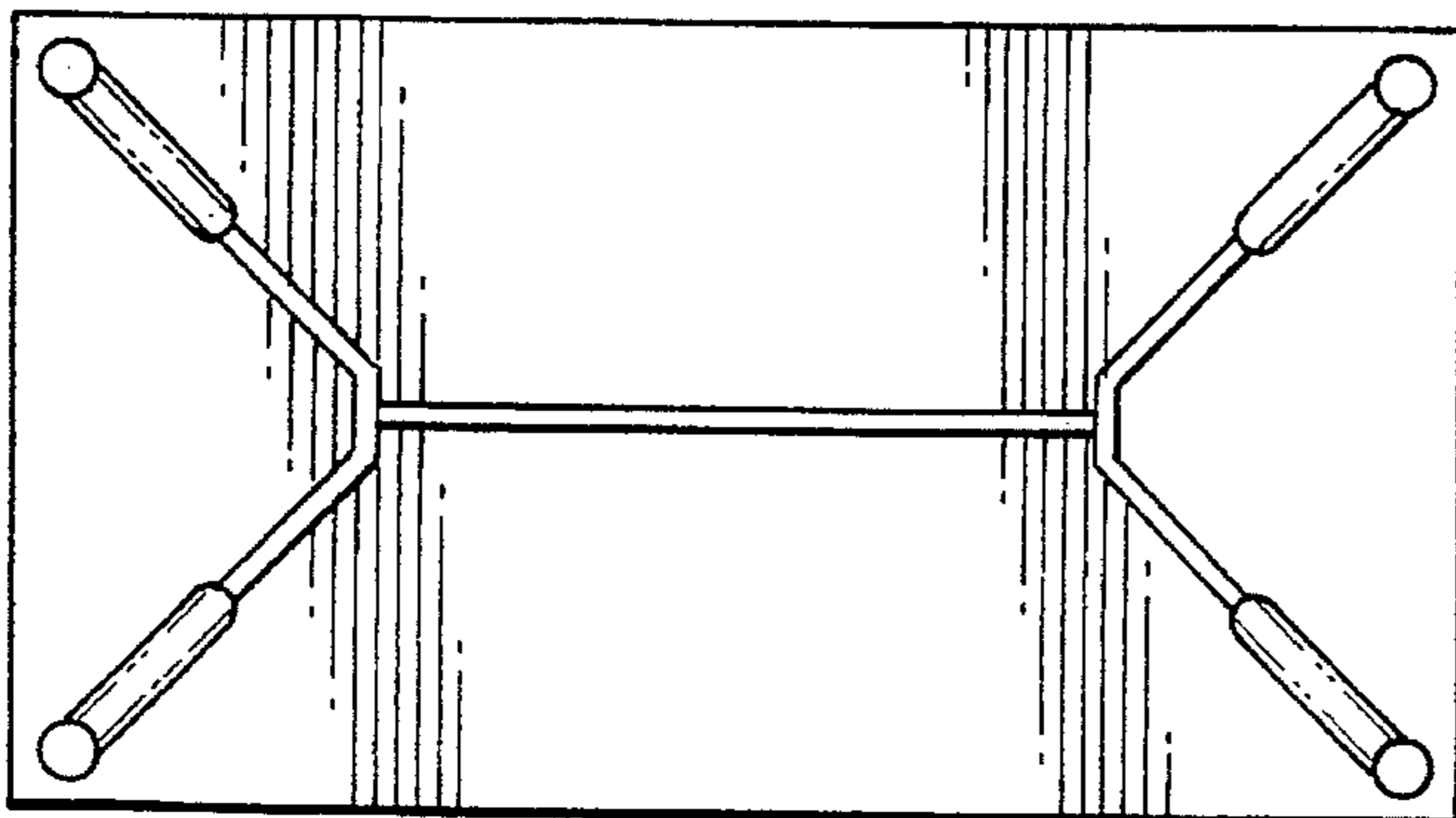


FIG. 5.

FIG. 6.

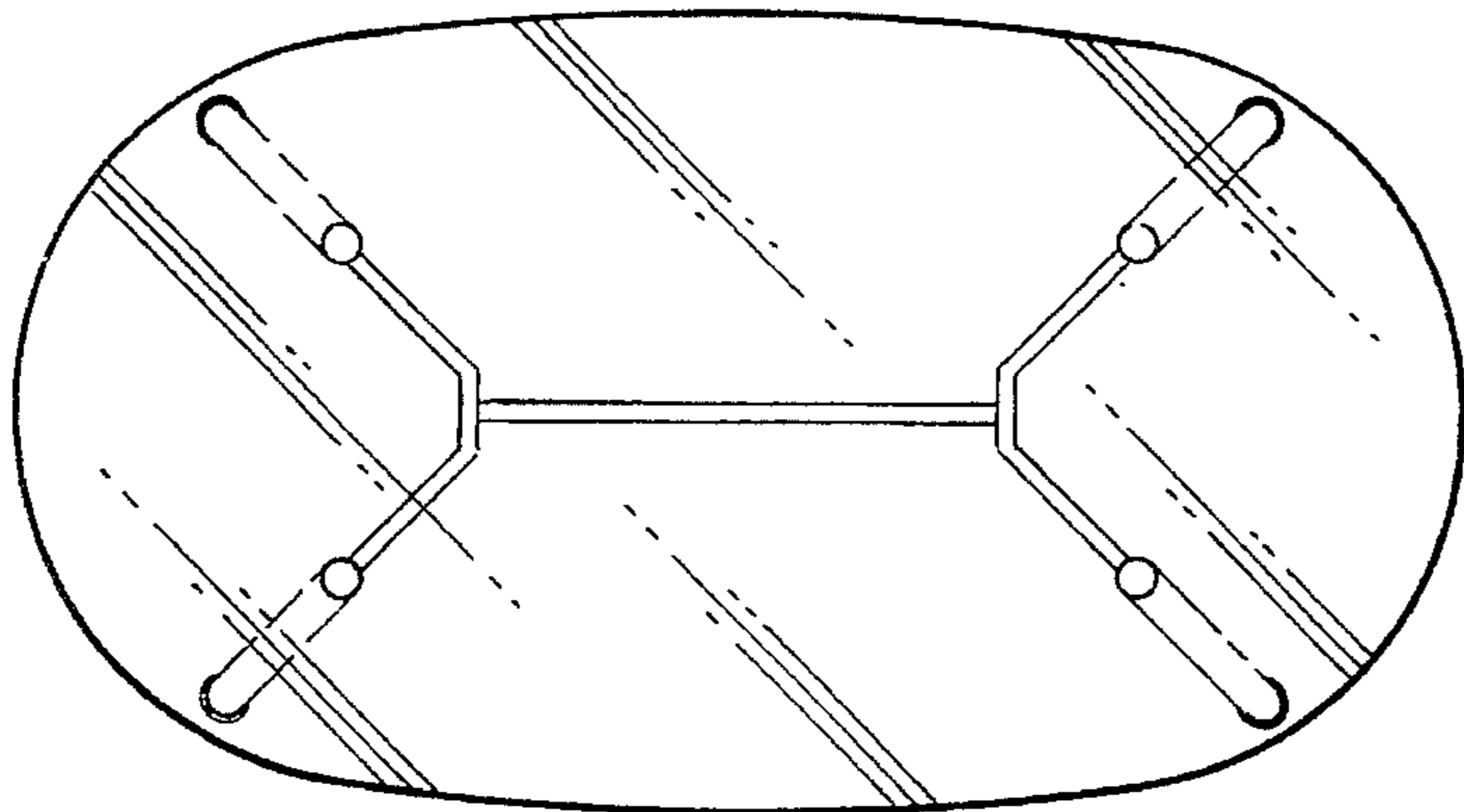
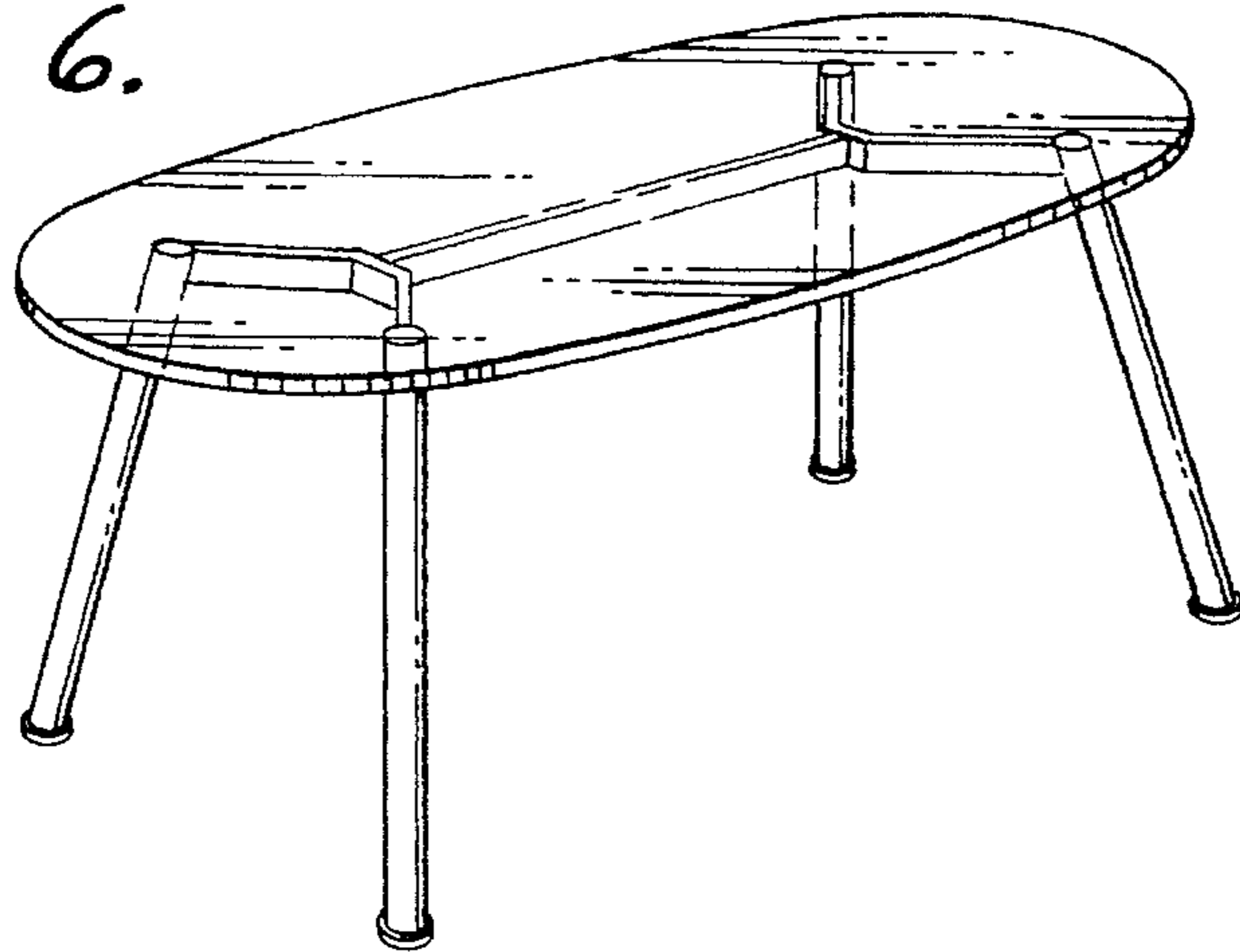


FIG. 7.

FIG. 8.

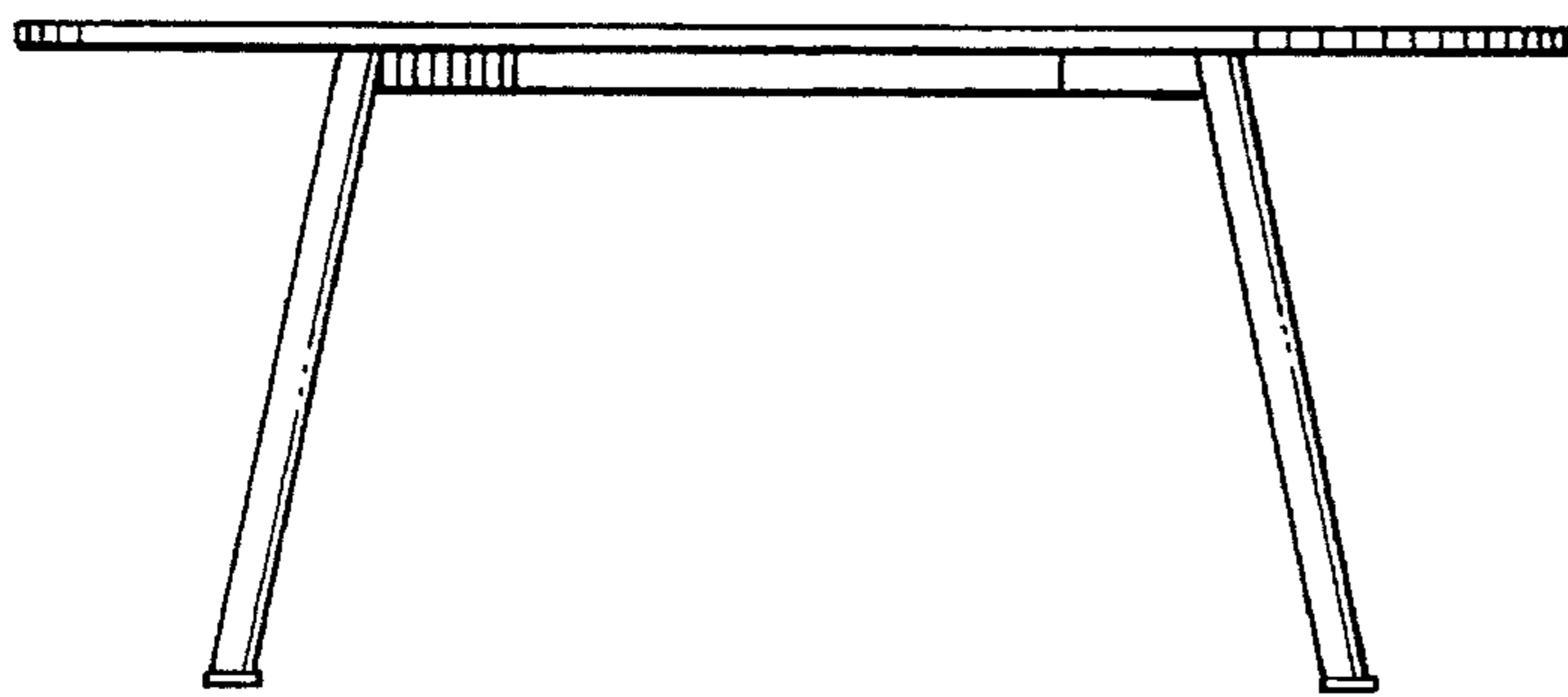


FIG. 9.

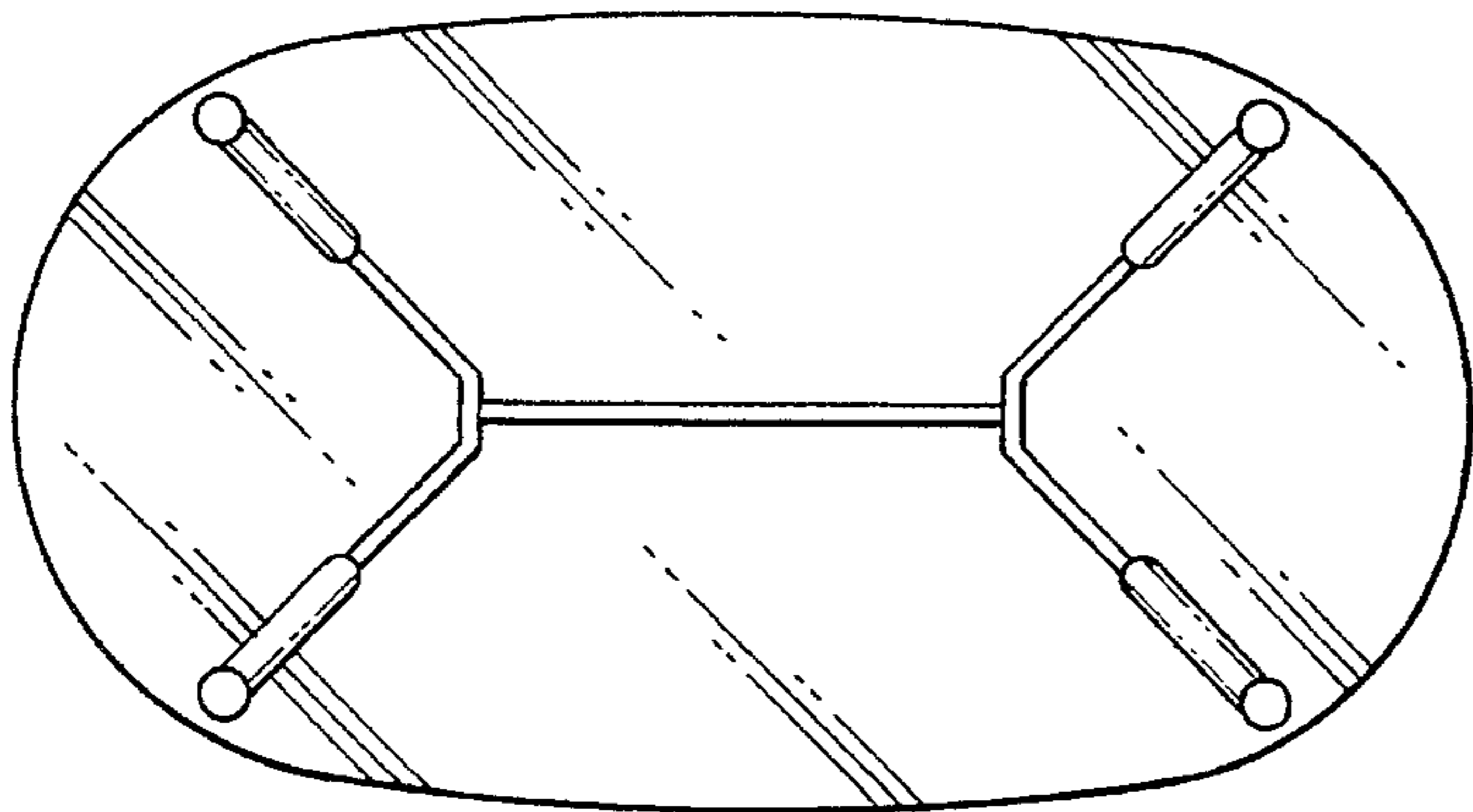
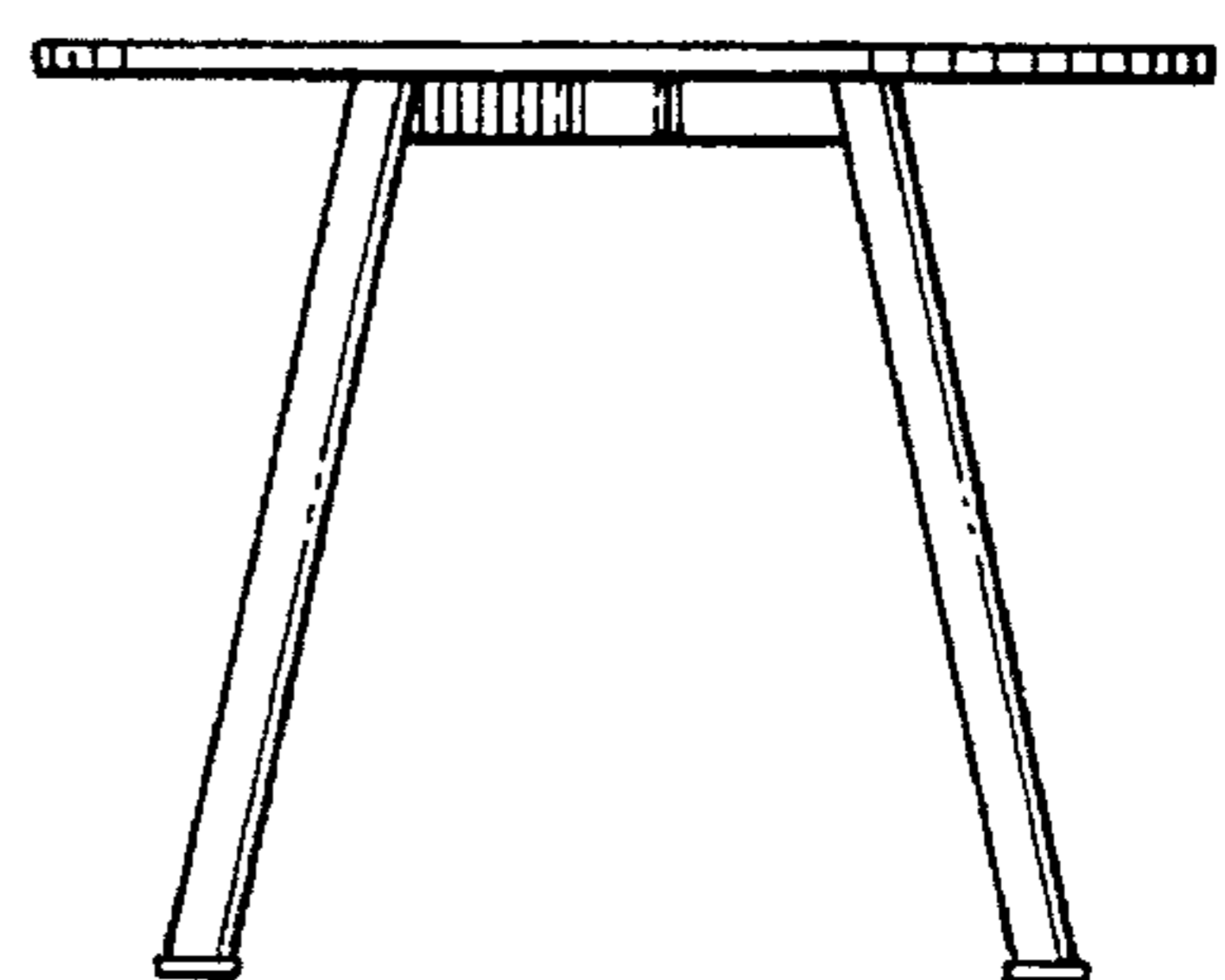


FIG. 10.