



US00D376709S

# United States Patent [19]

[11] Patent Number: **Des. 376,709**

**Markson**

[45] Date of Patent: **\*\*Dec. 24, 1996**

[54] **ADVERTISING DISPLAY FOR SHELVING**

[75] Inventor: **Richard Markson**, Goshen, N.Y.

[73] Assignee: **Markson Rosenthal & Company**,  
Edgewater, N.J.

[\*\*] Term: **14 Years**

[21] Appl. No.: **41,618**

[22] Filed: **Jul. 19, 1995**

[52] U.S. Cl. .... **D6/449**; D20/43

[58] Field of Search ..... D20/10, 39, 40,  
D20/41, 42, 43, 44; 40/1, 124, 124.1, 124.2,  
124.4, 641, 642, 644, 649, 658, 493, 530;  
D6/511, 476, 449, 437, 450, 451; 211/184,  
59.2

[56] **References Cited**

**U.S. PATENT DOCUMENTS**

D. 180,987	9/1957	Ayres, Jr.	.....	D6/476
D. 344,295	2/1994	Markson	.....	D20/43
D. 353,728	12/1994	Markson	.....	D6/449
D. 354,184	1/1995	Markson	.....	D6/449
4,460,096	7/1984	Ricci	.....	211/184

4,478,337	10/1984	Flum	.....	211/49 D
4,801,025	1/1989	Flum et al.	.....	211/128
4,830,201	5/1989	Breslow	.....	211/184
5,351,838	10/1994	Flum	.....	211/59.2
5,489,031	2/1996	Carroll	.....	211/184

*Primary Examiner*—Susan J. Lucas  
*Assistant Examiner*—Cynthia E. Ramirez  
*Attorney, Agent, or Firm*—Abelman, Frayne & Schwab

[57] **CLAIM**

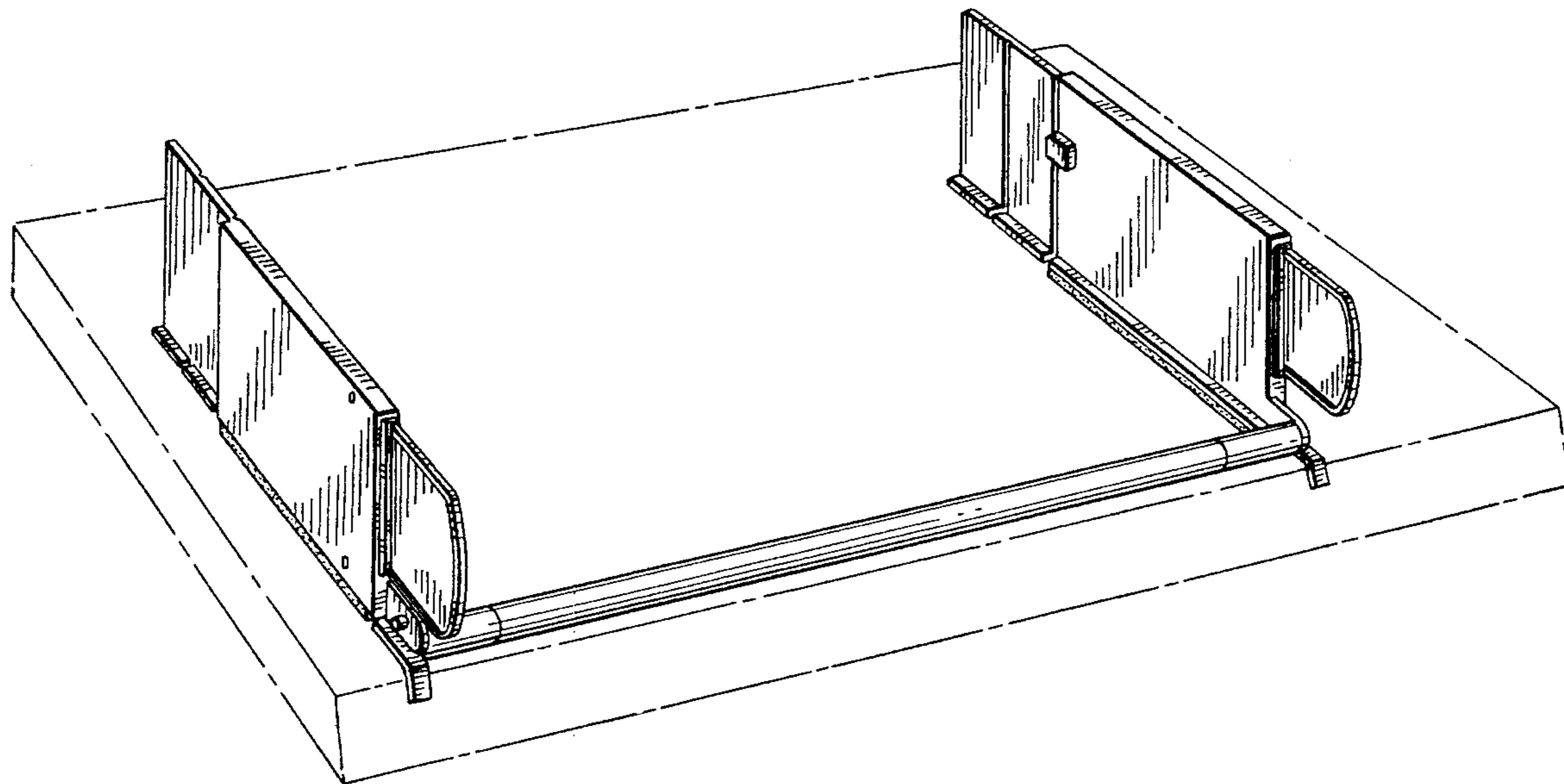
The ornamental design for an advertising display for shelving, as shown and described.

**DESCRIPTION**

FIG. 1 is perspective view looking down from the top;  
FIG. 2 is a top view thereof;  
FIG. 3 is a left side view thereof;  
FIG. 4 is a front view thereof;  
FIG. 5 is a rear view thereof;  
FIG. 6 is a right side view thereof; and,  
FIG. 7 is a bottom view thereof.

The broken line showing of the rectangular panel in FIG. 1 is for illustrative purposes only and forms no part of the claimed design.

**1 Claim, 4 Drawing Sheets**



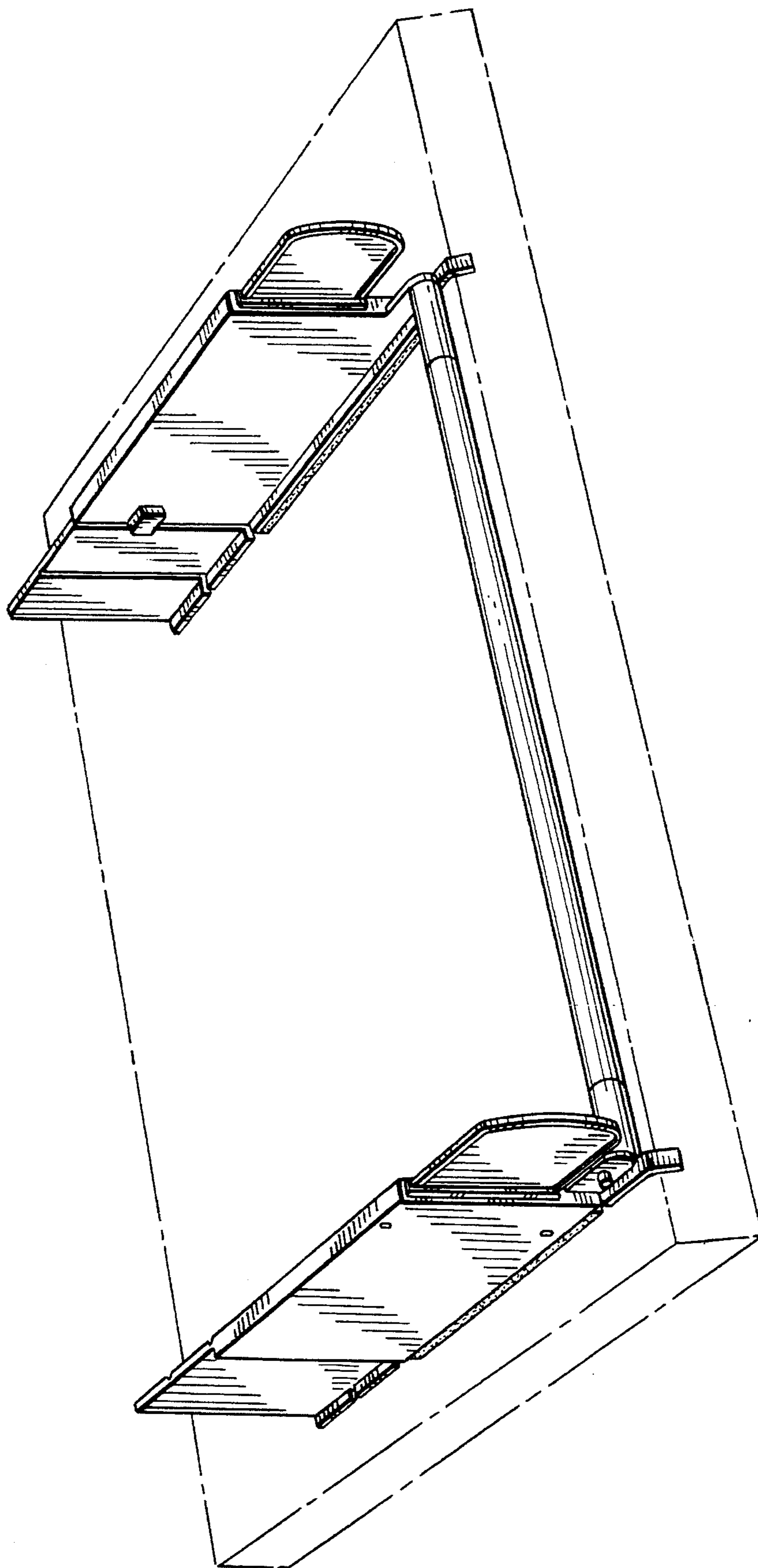
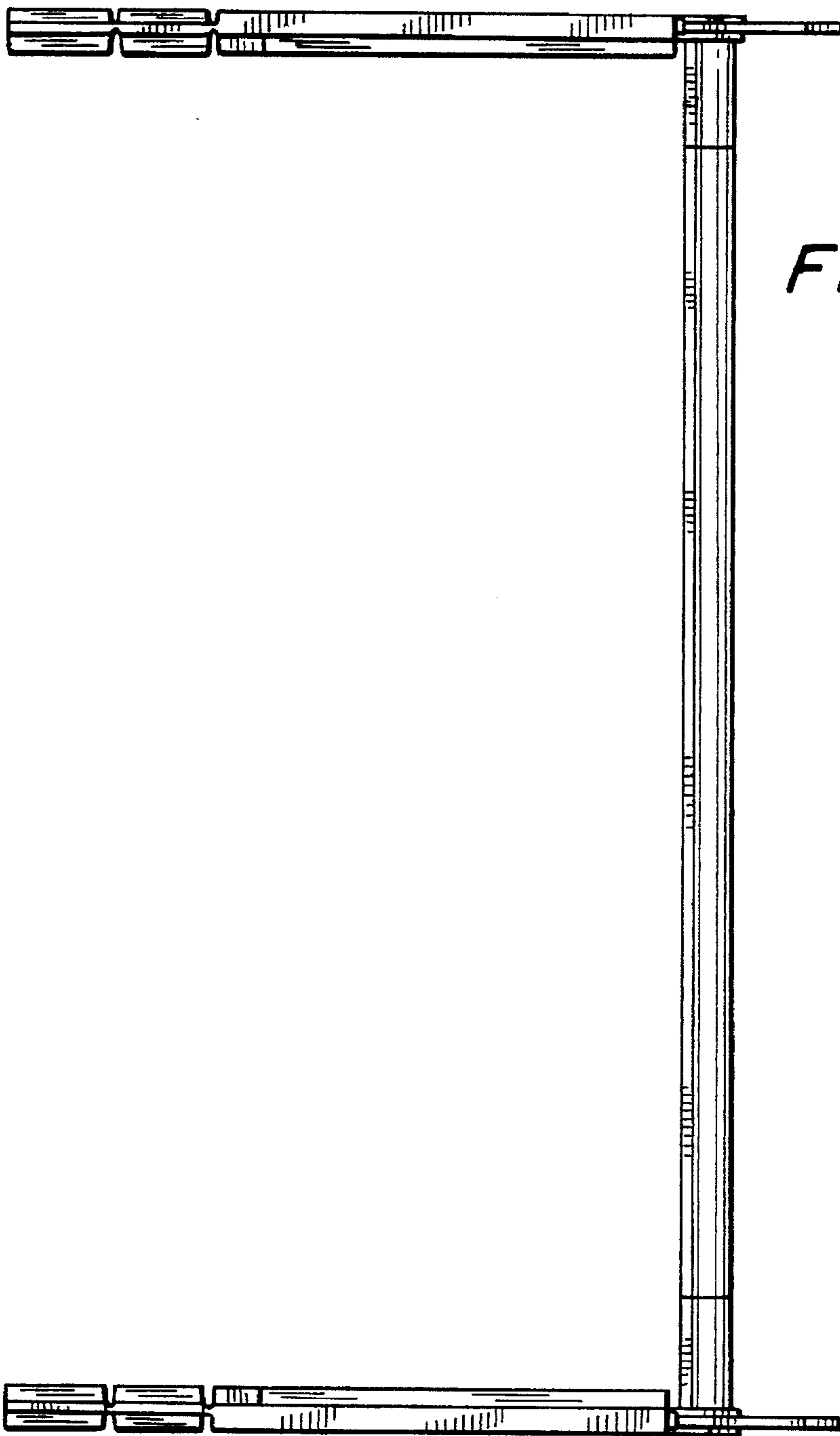
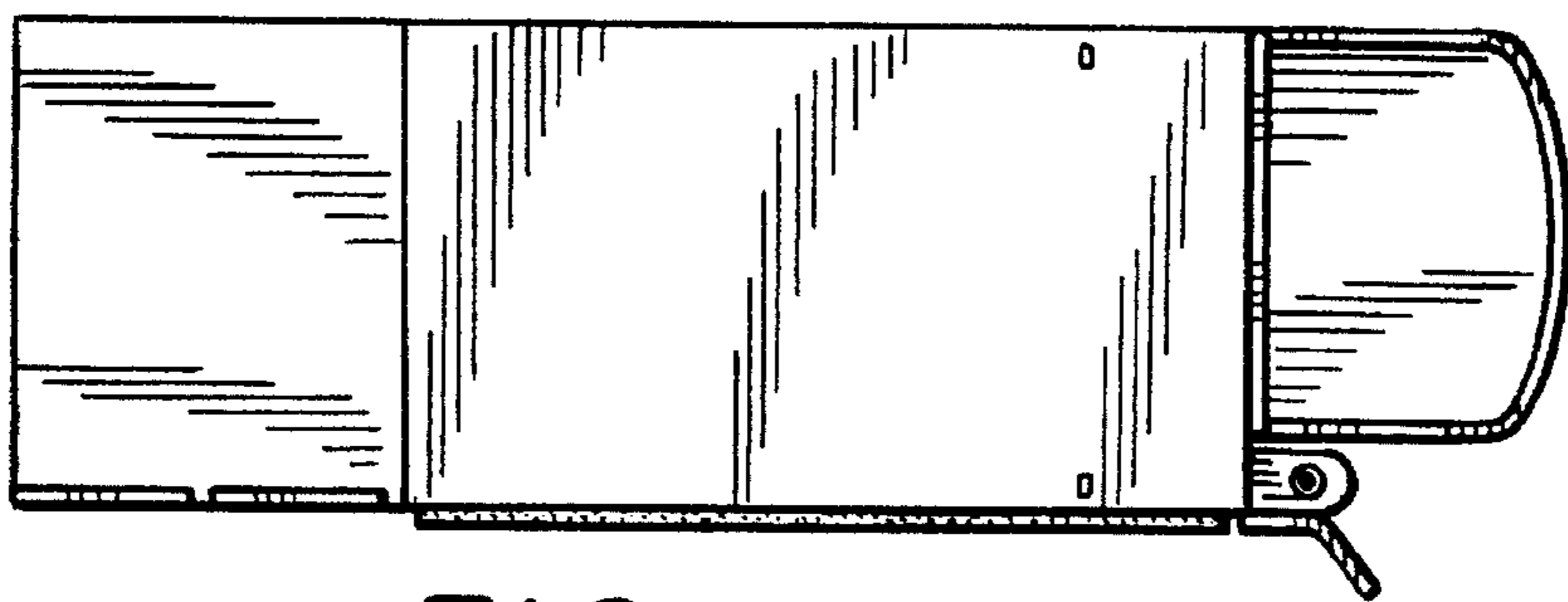


FIG. 1



*FIG. 2*



*FIG. 3*

FIG. 4

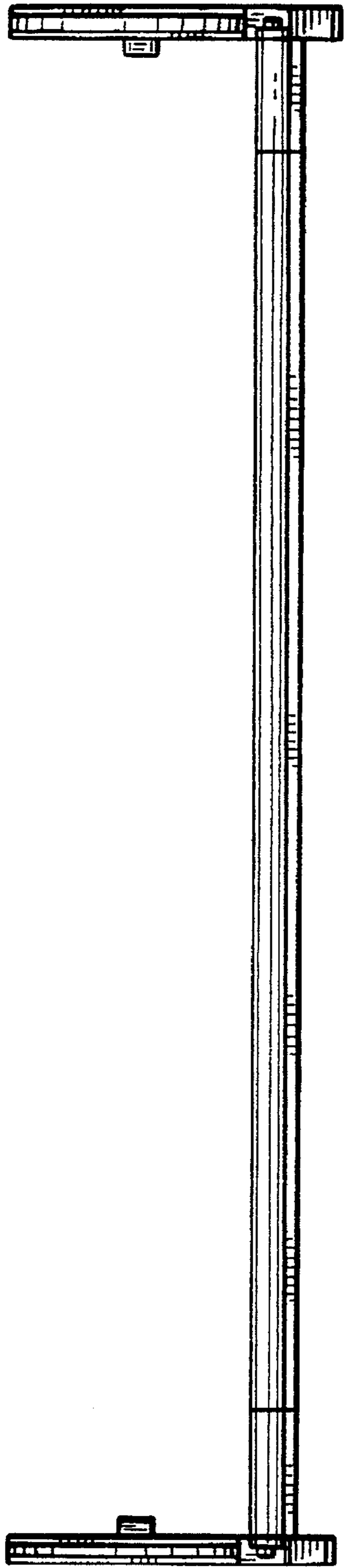
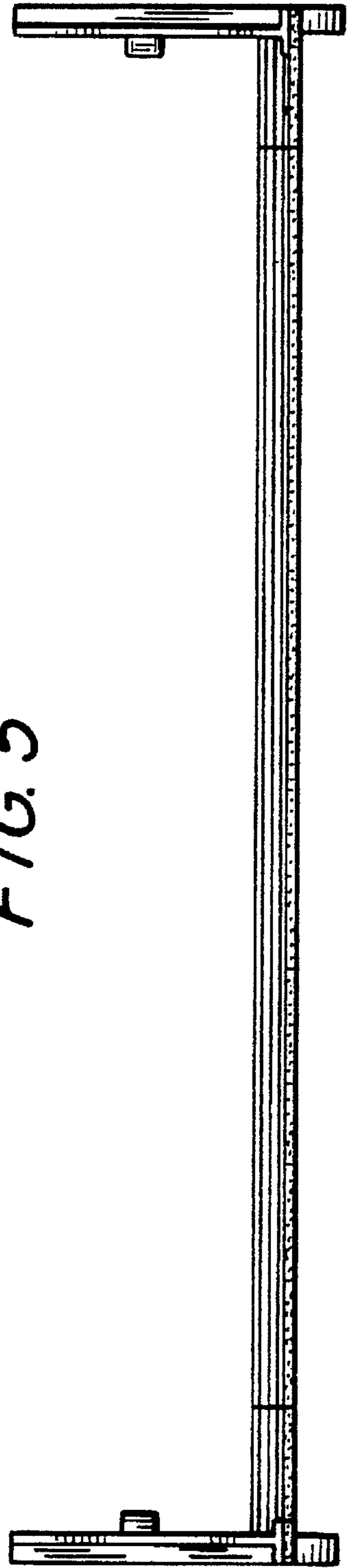
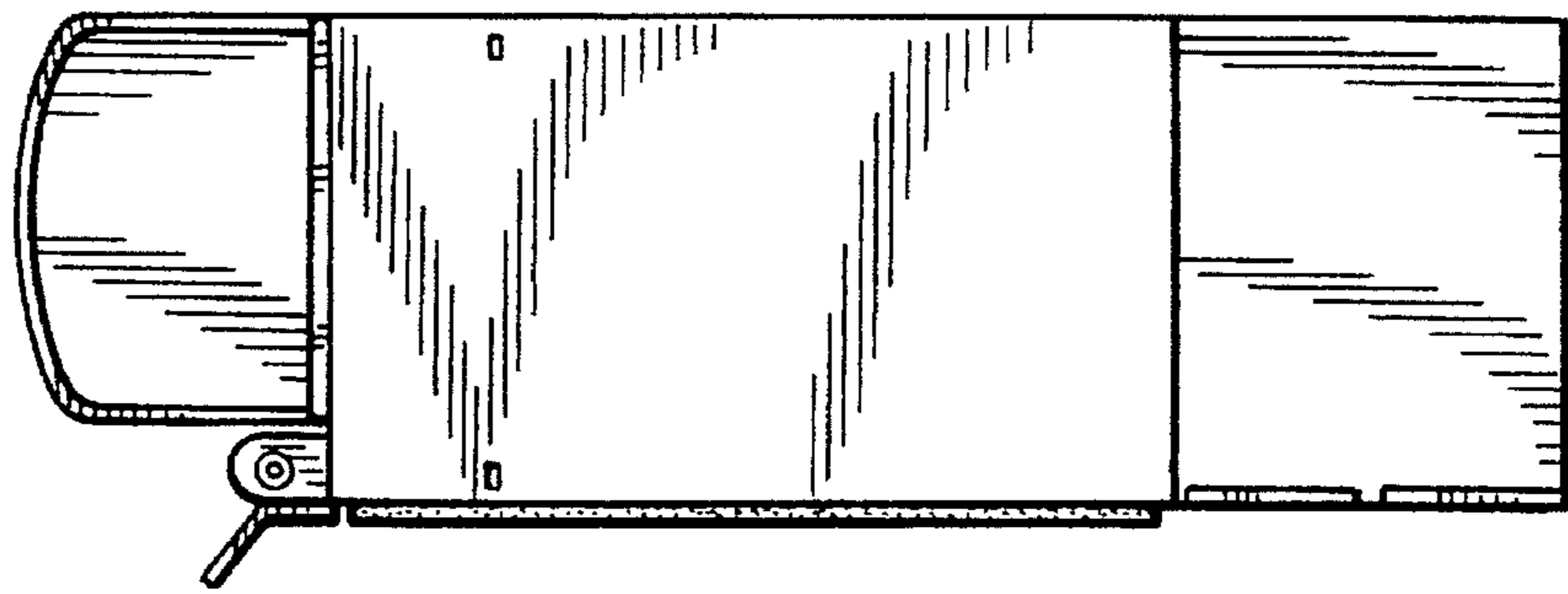


FIG. 5



*FIG. 6*



*FIG. 7*

