



US00D376708S

# United States Patent [19]

Robertson et al.

[11] Patent Number: **Des. 376,708**

[45] Date of Patent: **\*\*Dec. 24, 1996**

[54] **PATIO/BALCONY RAIL TABLE**

[75] Inventors: **Edward J. Robertson**, Winchester;  
**Norbert Lyons**, Middleton, both of  
Mass.

[73] Assignee: **Syroco, Inc.**, East Boston, Mass.

[\*\*] Term: **14 Years**

[21] Appl. No.: **42,027**

[22] Filed: **Jul. 31, 1995**

[52] U.S. Cl. .... **D6/429; D6/480**

[58] Field of Search ..... **D6/480-488, 495,**  
**D6/451; 108/47, 48, 13, 14, 115, 38**

[56] **References Cited**

**U.S. PATENT DOCUMENTS**

D. 329,764	9/1992	Evans	.....	D6/462
1,057,722	4/1913	Goetz	.....	108/13 X
2,616,774	11/1952	Prince	.....	108/38
4,889,057	12/1989	Chartrand	.....	108/38

**OTHER PUBLICATIONS**

“PRAKTIKA” Table and package label (photo reproduction), sold Plastikap A.S., Istanbul, Turkey, circa 1994.

“VINTEX” Table and package label (photo reproduction), sold by Sombec International, New York, circa 1994.

“KETTLE” Table and package label (photo reproduction), sold by Heinz Kettler, Metallwarenfabrik GmbH & Co., Germany, circa 1994.

*Primary Examiner*—Janice E. Seeger  
*Attorney, Agent, or Firm*—Sidley & Austin; Hugh A. Abrams

[57] **CLAIM**

The ornamental design for a patio/balcony rail table, as shown.

**DESCRIPTION**

FIG. 1 is a left, front perspective view of a patio/balcony rail table showing our new design;

FIG. 2 is a left side elevational view thereof;

FIG. 3 is a front elevational view thereof;

FIG. 4 is a rear elevational view thereof;

FIG. 5 is a top plan view thereof; and,

FIG. 6 is a bottom plan view thereof.

The broken lines are for environmental purposes only and forms no part of the claimed design.

**1 Claim, 4 Drawing Sheets**

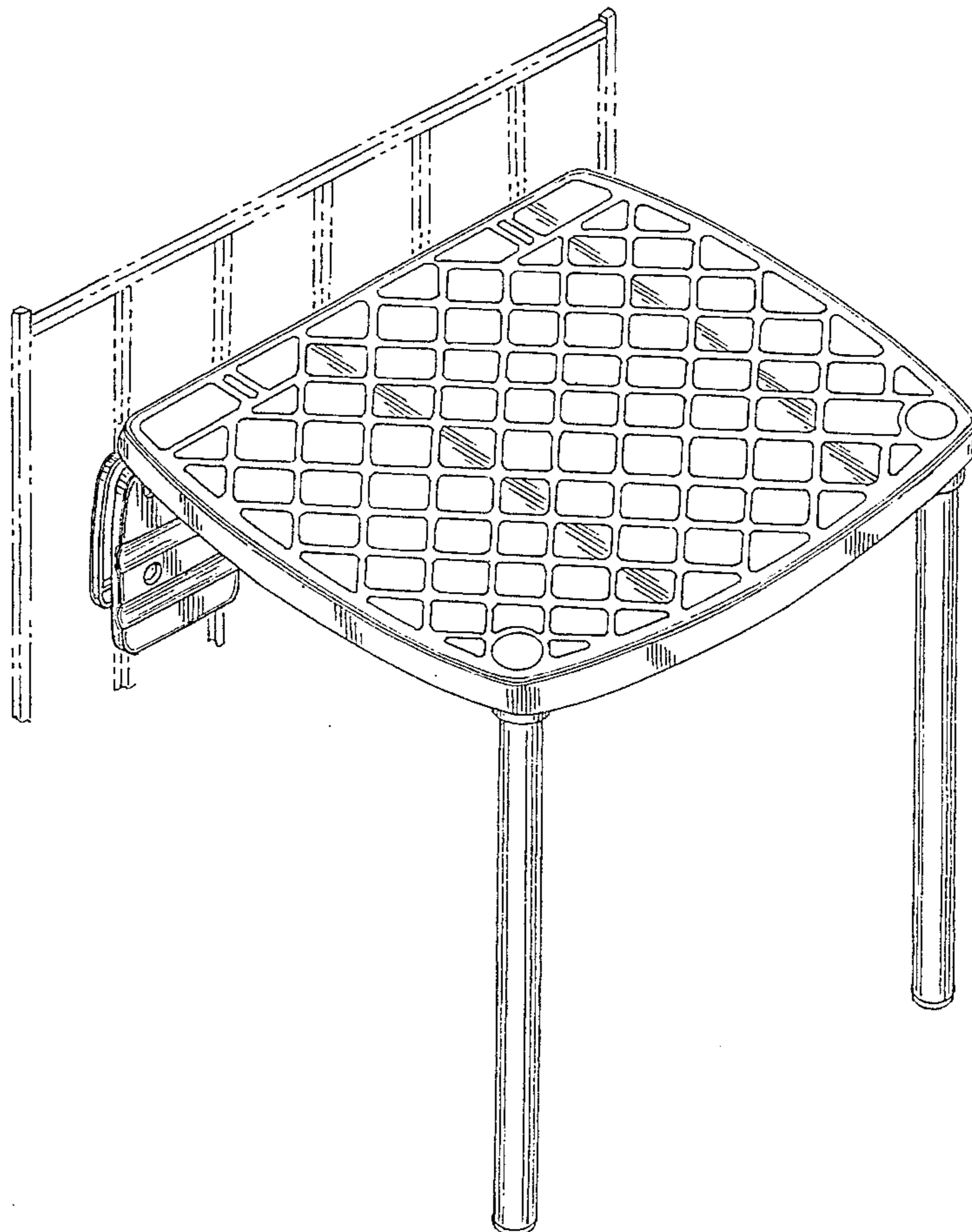


FIG. 1

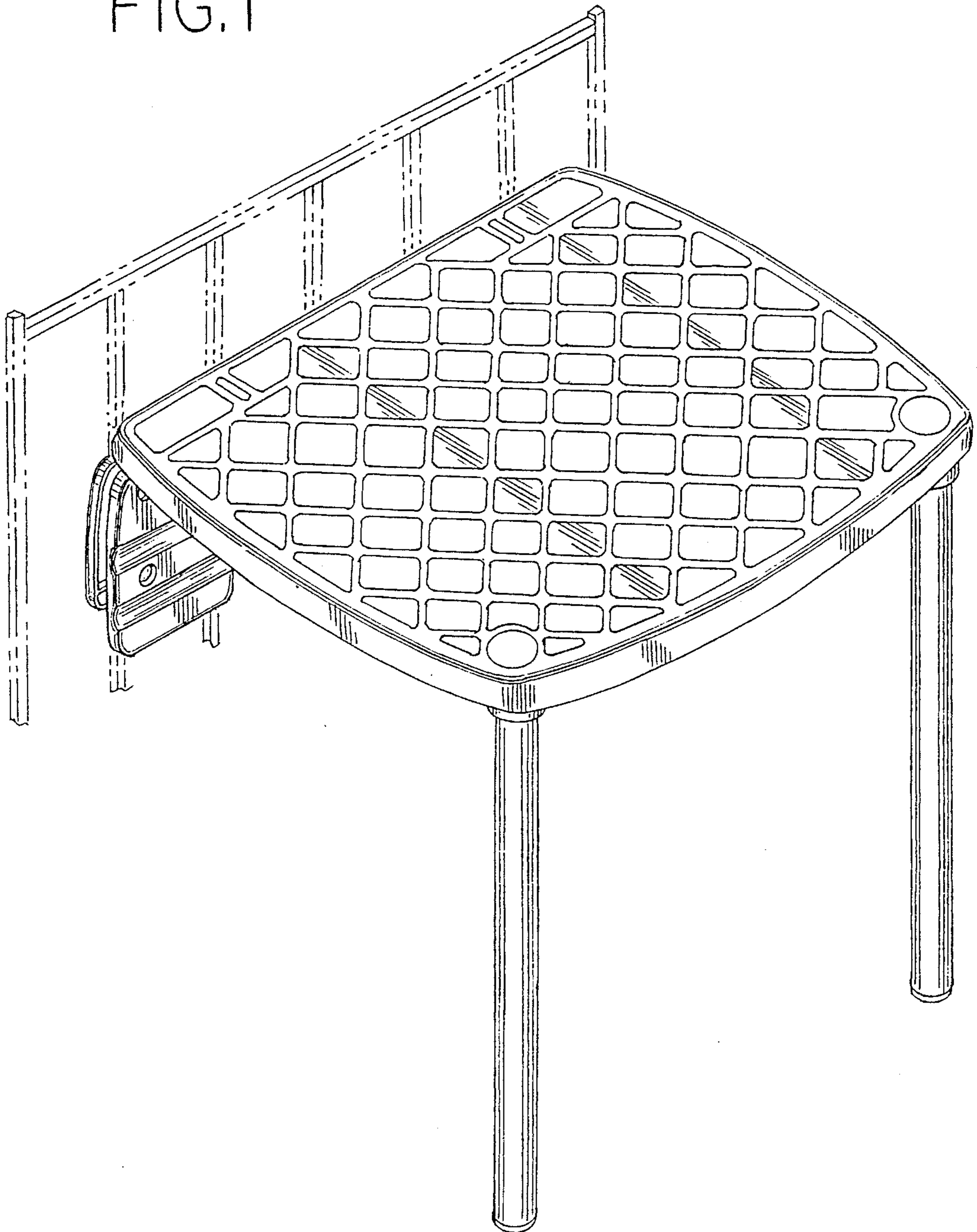


FIG. 2

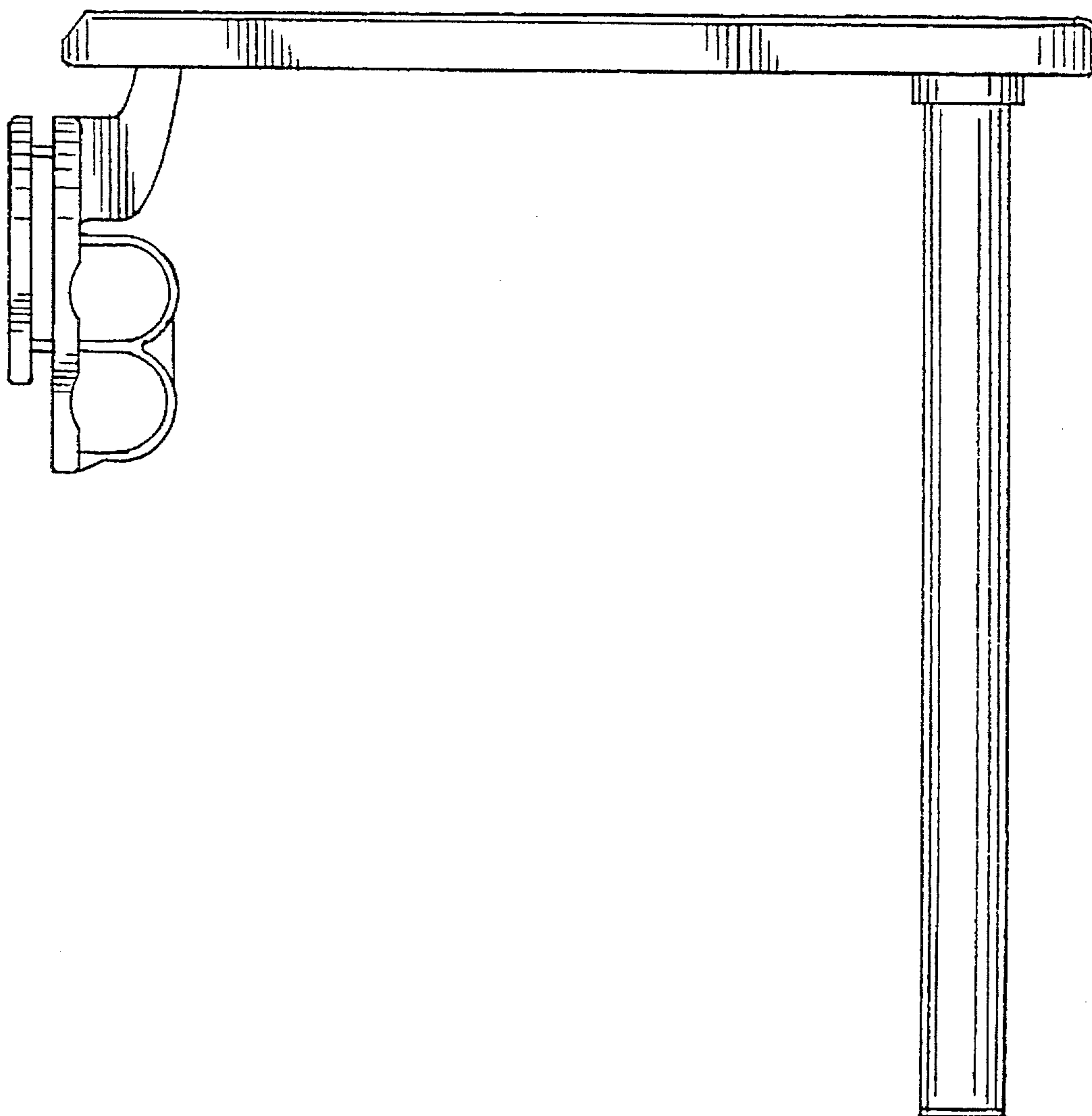


FIG.3

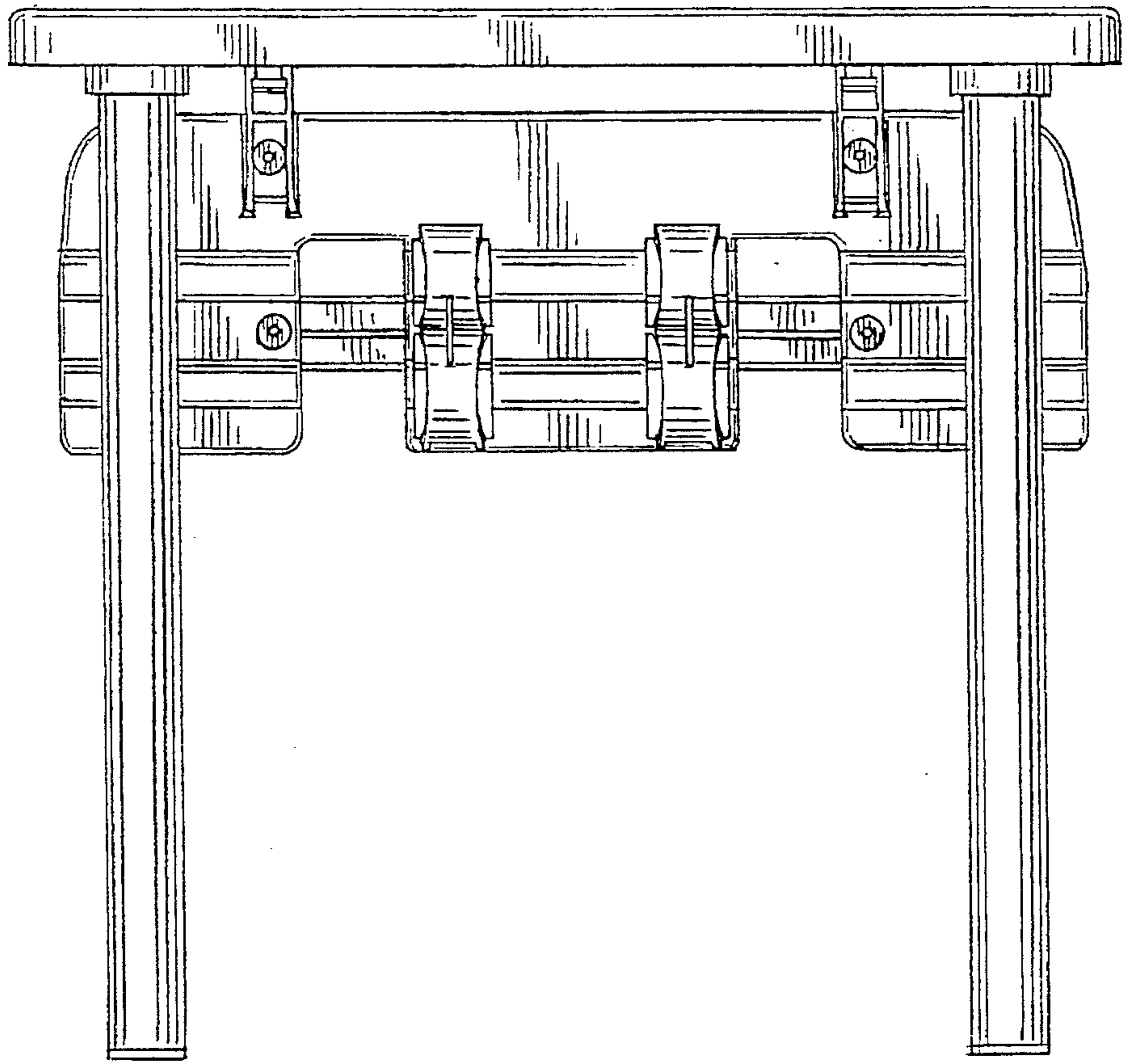


FIG.4

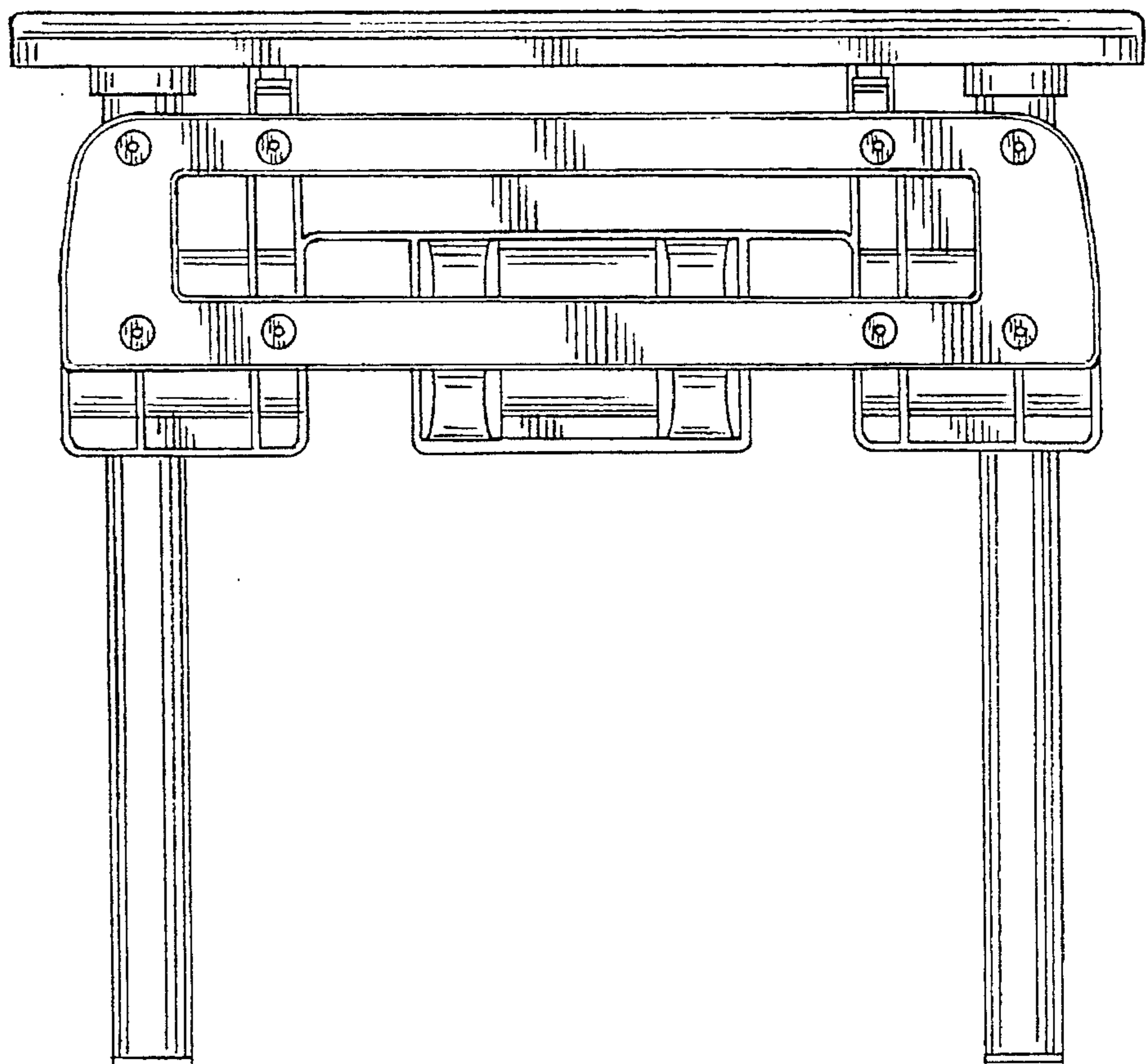




FIG. 5

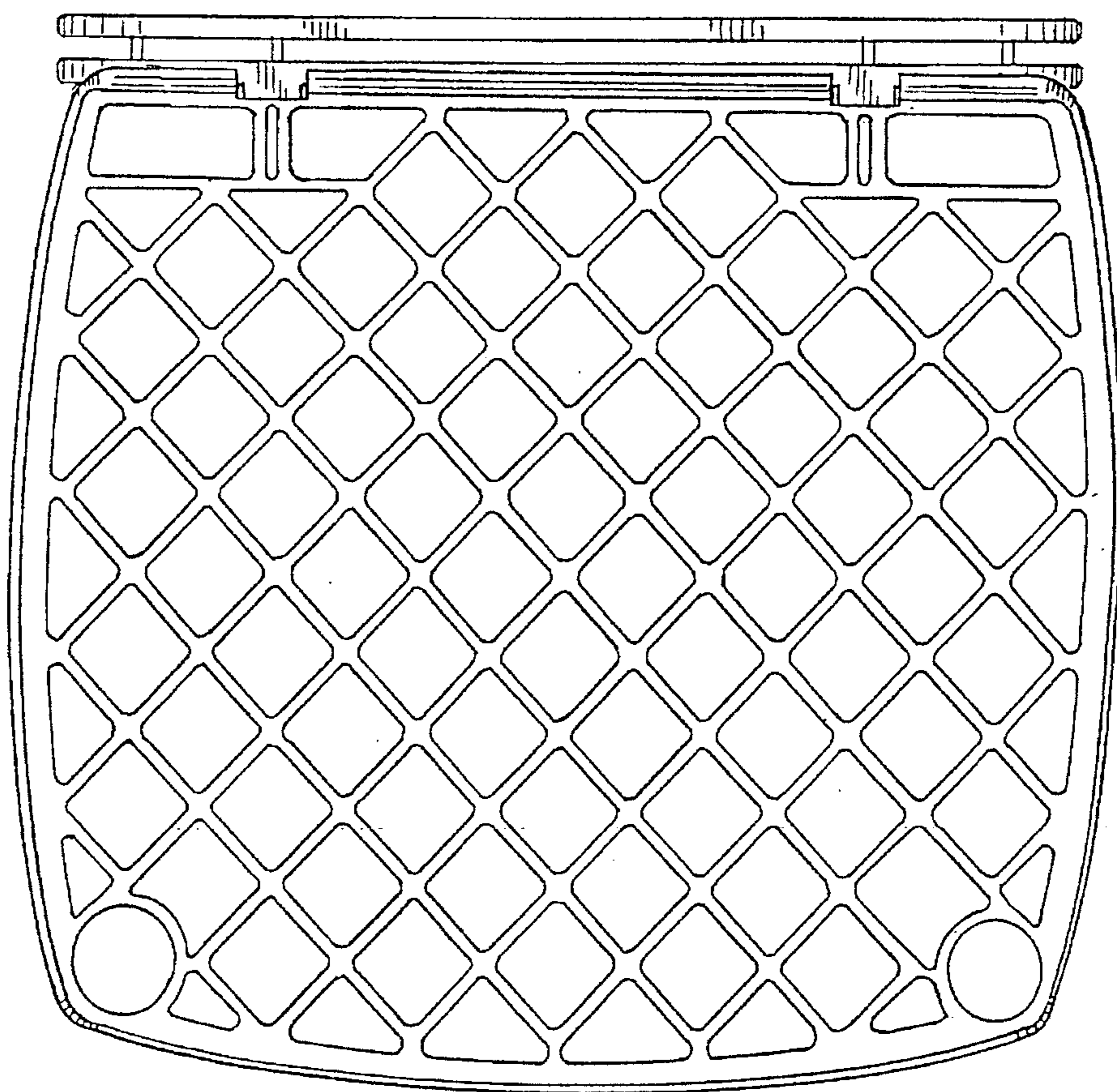


FIG. 6

