



US00D376707S

United States Patent [19]

[11] Patent Number: **Des. 376,707**

Beason

[45] Date of Patent: ****Dec. 24, 1996**

[54] **TRI-LEVEL COMPUTER CENTER**

4,561,619 12/1995 Robillard et al. .

[76] Inventor: **Randy G. Beason**, 6445 N. Mercier St.,
Kansas City, Mo. 64118

FOREIGN PATENT DOCUMENTS

WO8203162 9/1982 WIPO .

[**] Term: **14 Years**

OTHER PUBLICATIONS

[21] Appl. No.: **47,975**

P. 106 from Modern Office Technology dated May, 1985 showing computer system desk designs.
Circle 48 from Cole Business Furniture brochure published in May, 1984 showing a desk design.

[22] Filed: **Dec. 18, 1995**

[52] U.S. Cl. **D6/426**

[58] Field of Search D6/422-428, 421,
D6/429-431; 312/194-196, 223.2, 223.3;
108/59, 92, 93

Primary Examiner—Carmen H. Vales-Lado
Attorney, Agent, or Firm—Stinson, Mag & Fizzell

[56] References Cited

[57] CLAIM

U.S. PATENT DOCUMENTS

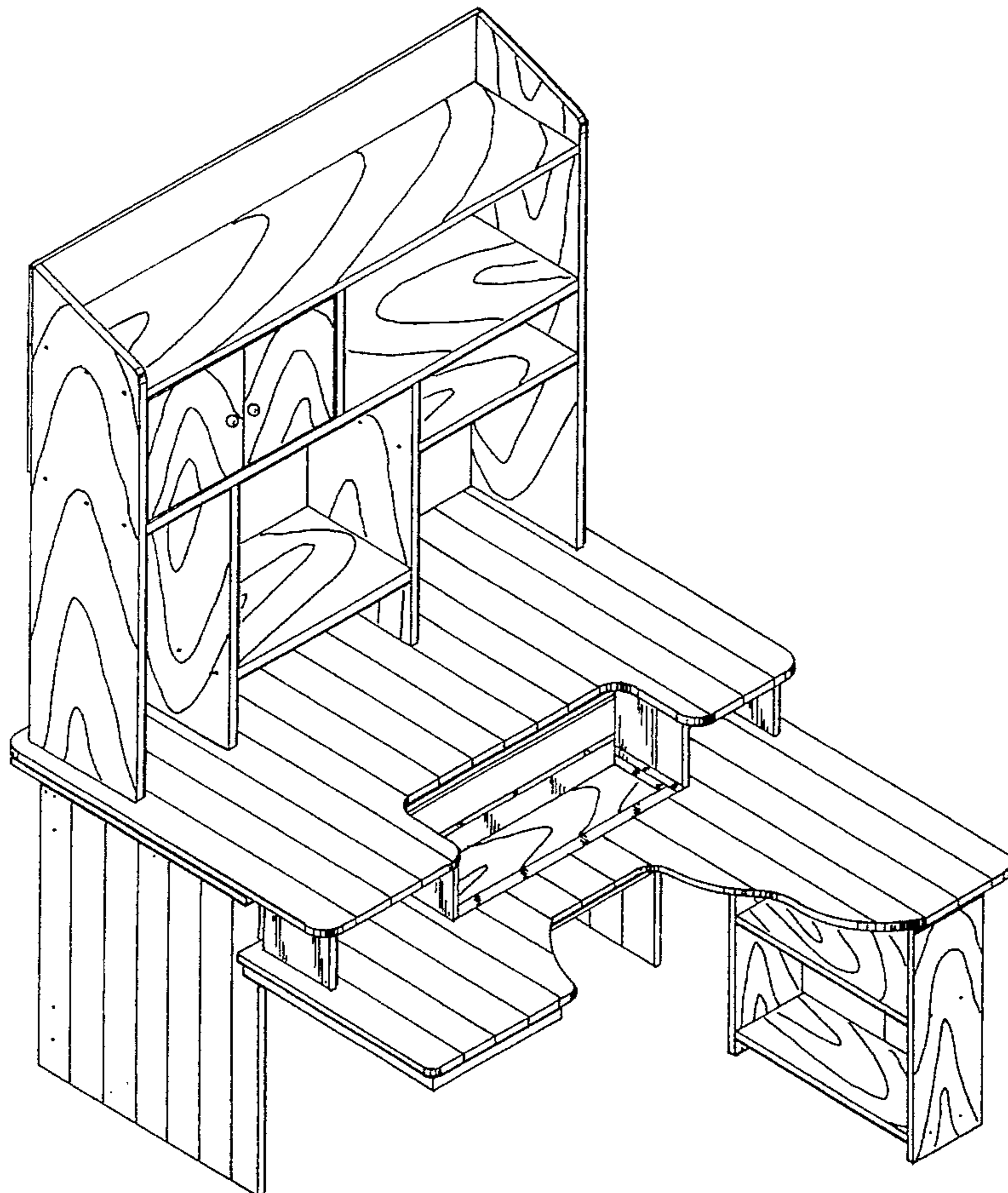
The ornamental design for a tri-level computer center, as shown and described.

D. 25,080	1/1896	Ostrander et al.	D6/426
D. 28,108	12/1897	Hammond	D6/426
D. 273,742	5/1984	Cunningham et al.	D6/426
D. 305,185	12/1989	Cruz	D6/426
D. 323,260	1/1992	Lewis .	
D. 335,591	5/1993	Lechman .	
D. 343,072	1/1994	Schulman et al.	D6/425
D. 346,078	4/1994	Schulman et al. .	
D. 349,200	8/1994	Kelley	D6/427
D. 354,182	1/1995	Abraham et al. .	
D. 354,408	1/1995	Kelley .	
D. 359,401	6/1995	O'Sullivan et al. .	
D. 368,812	4/1996	Lee	D6/421

DESCRIPTION

FIG. 1 is a front perspective view of a tri-level computer center embodying my design;
FIG. 2 is a front elevational view;
FIG. 3 is a left side elevational view;
FIG. 4 is a rear elevational view;
FIG. 5 is a right side elevational view;
FIG. 6 is a top plan view; and,
FIG. 7 is a bottom plan view.

1 Claim, 4 Drawing Sheets



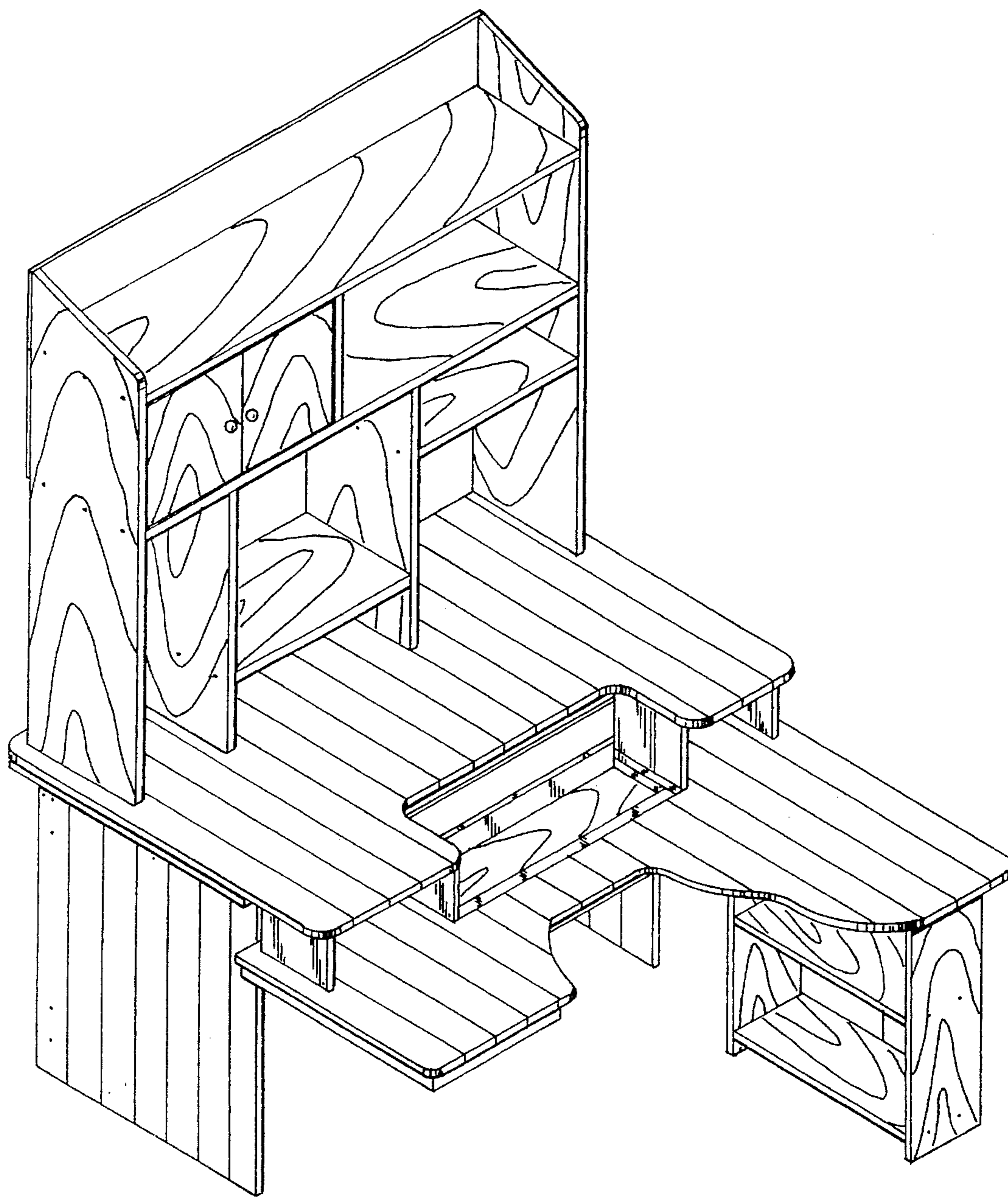


Fig. 1

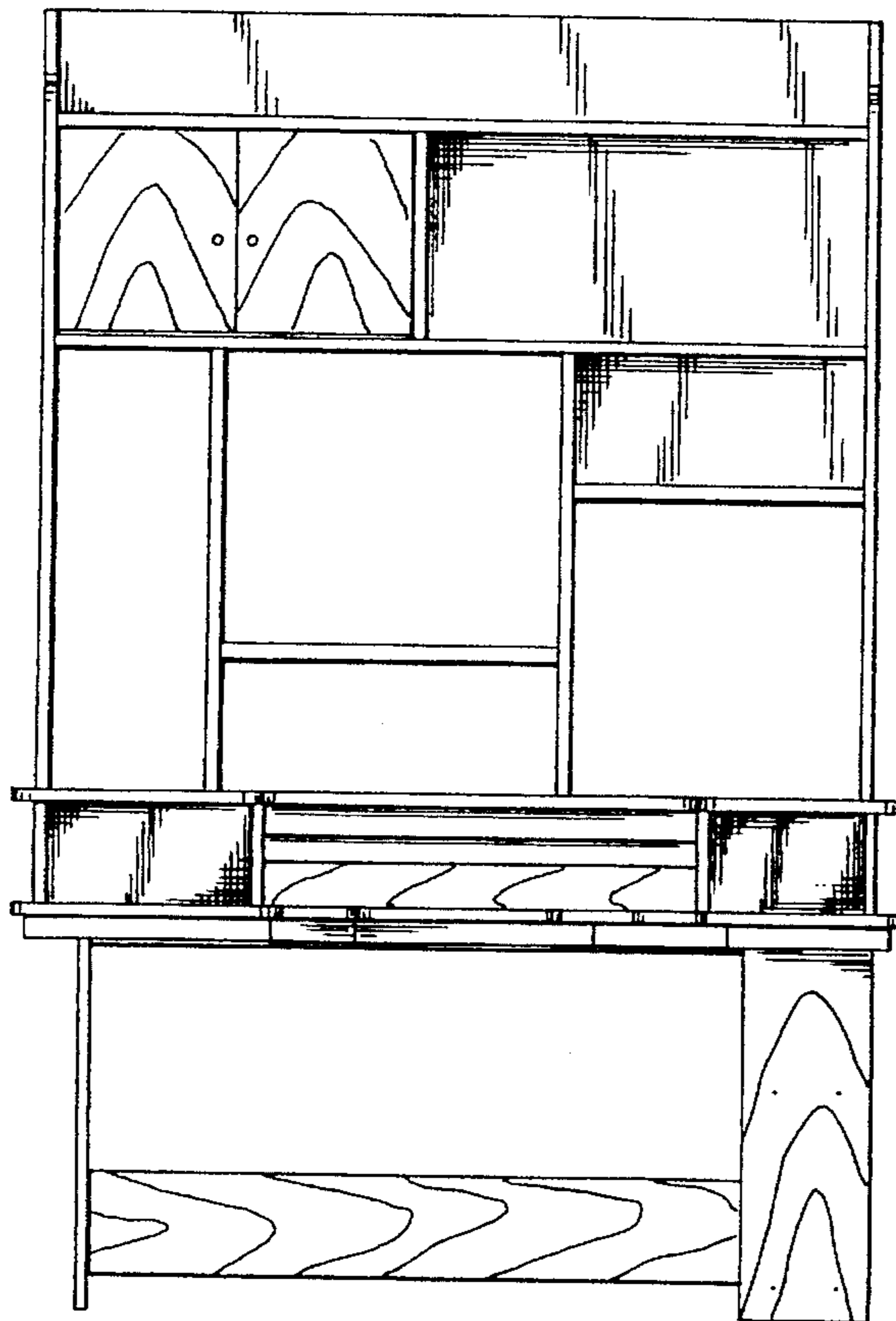


Fig. 2

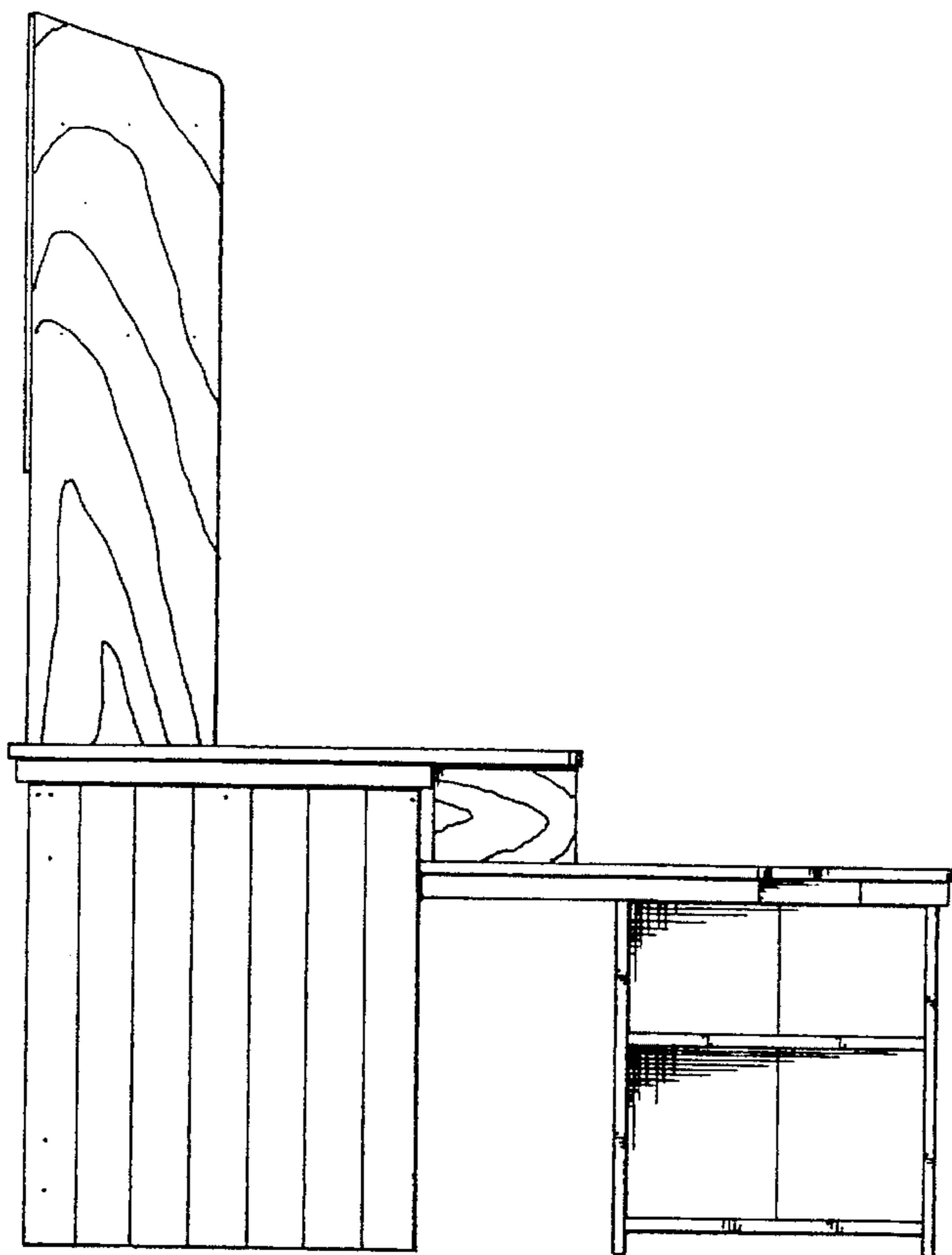


Fig. 3

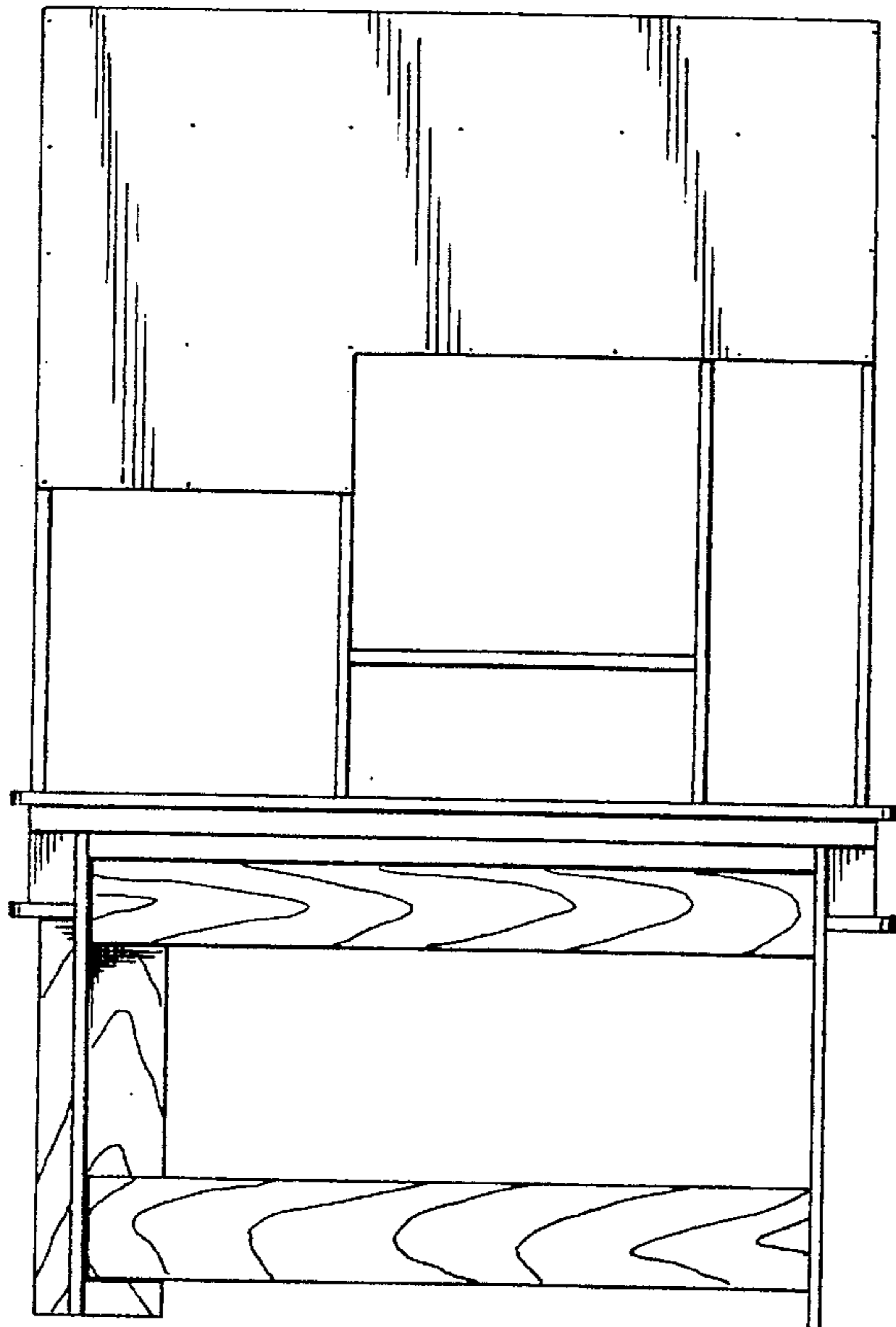


Fig. 4

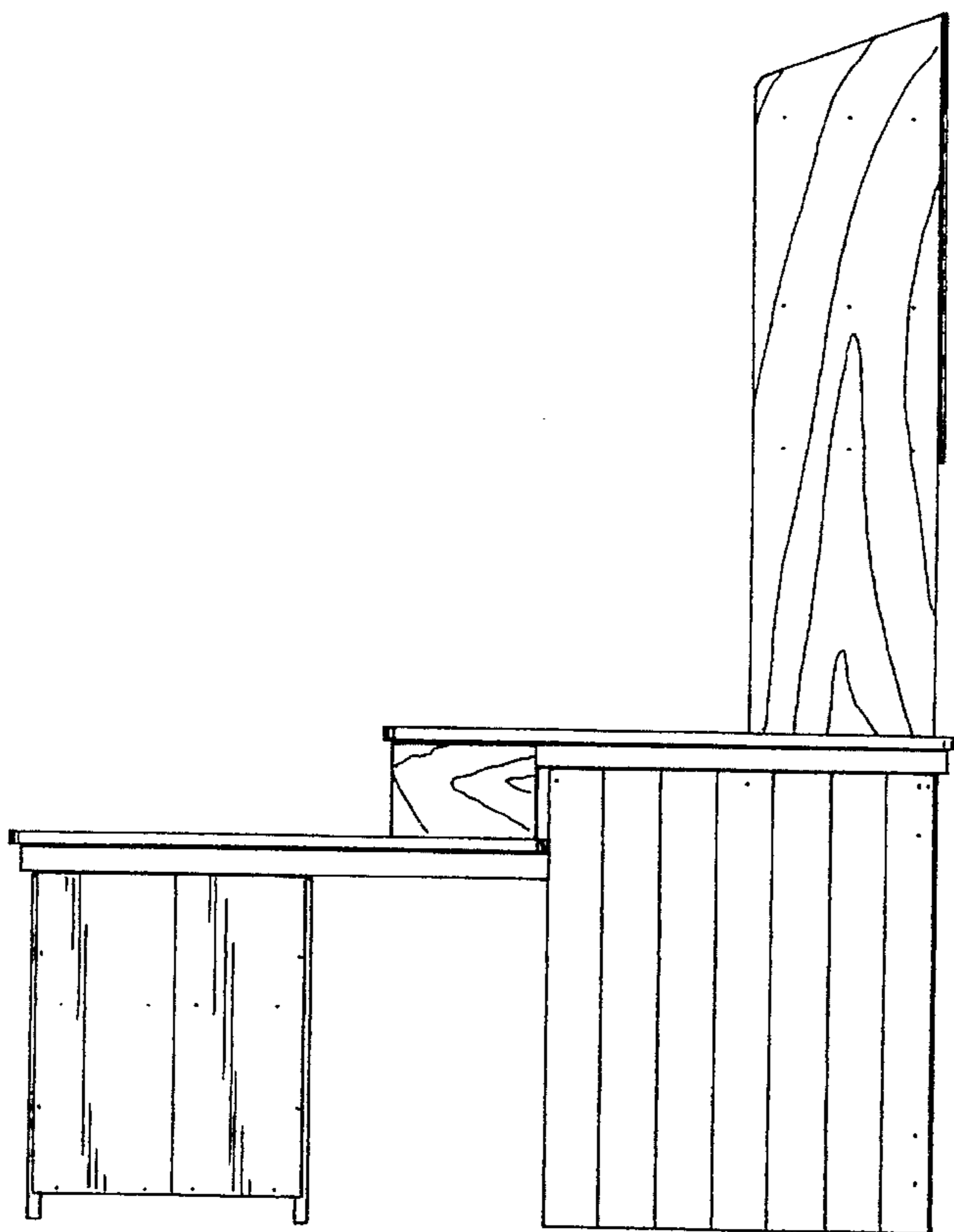


Fig. 5

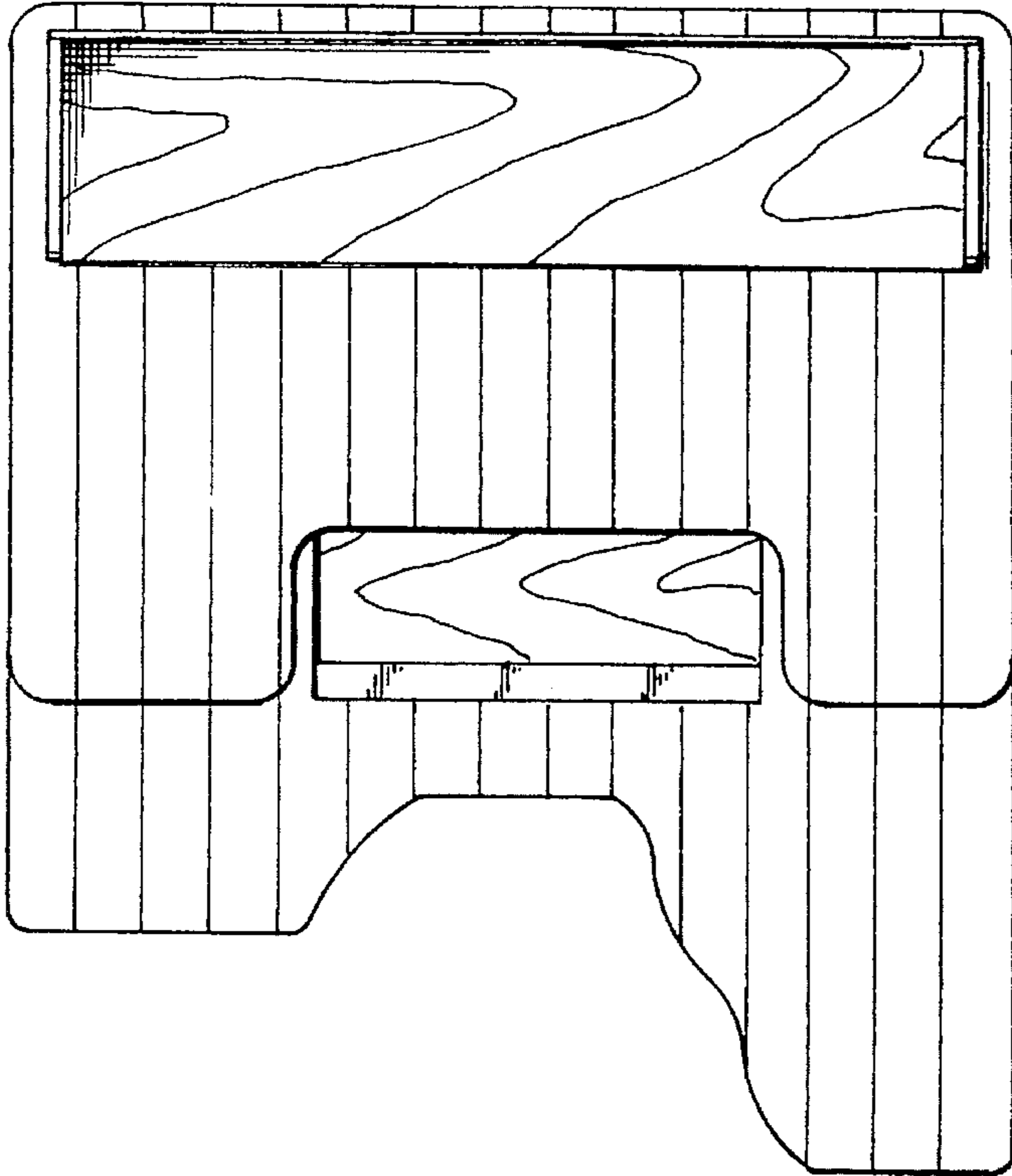


Fig. 6

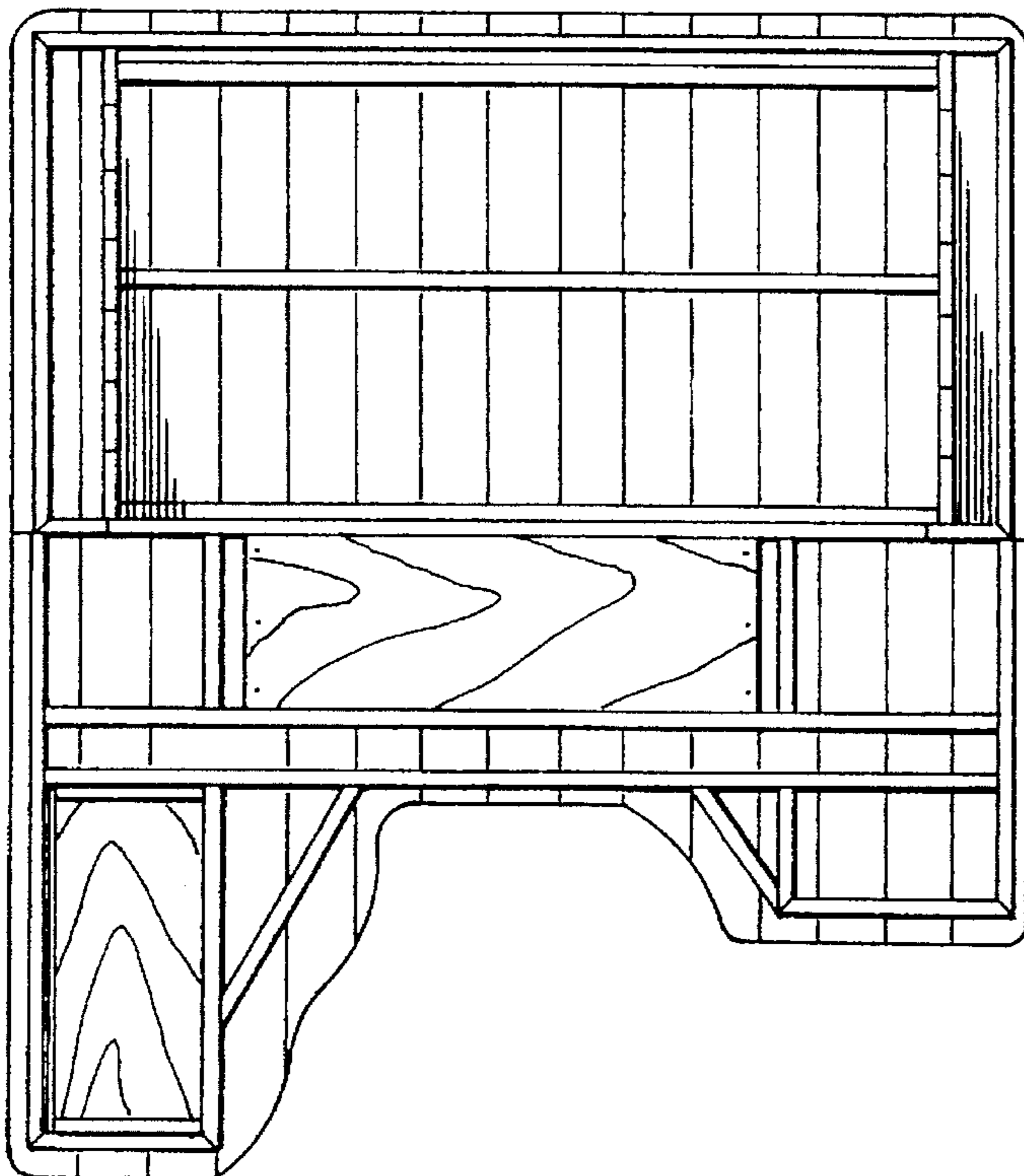


Fig. 7