



US00D376703S

United States Patent [19]

[11] Patent Number: **Des. 376,703**

Lee

[45] Date of Patent: ****Dec. 24, 1996**

[54] **CHAIR**

Primary Examiner—Gary D. Watson

[76] Inventor: **Chan-shin Lee**, No. 303, Tzuli 1st Rd.,
Sanmin Dist., Kaohsiung, Taiwan

Attorney, Agent, or Firm—Morton J. Rosenberg; David I. Klein

[**] Term: **14 Years**

[57] CLAIM

[21] Appl. No.: **51,449**

The ornamental design for a chair, as shown and described.

[22] Filed: **Mar. 11, 1996**

DESCRIPTION

[52] U.S. Cl. **D6/380; D6/374**

[58] Field of Search D6/334, 370, 374,
D6/376, 379, 380, 500, 501, 502; 297/446.1

FIG. 1 is a perspective view of a chair showing my design;

FIG. 2 is a front view thereof;

FIG. 3 is a rear view thereof;

FIG. 4 is a right side view thereof;

FIG. 5 is a left side view thereof;

FIG. 6 is a top view thereof;

FIG. 7 is a bottom view thereof; and,

FIG. 8 is a perspective view thereof showing a cushion in phantom lines to show the environment, the cushion not being part of the inventive design.

[56] References Cited

U.S. PATENT DOCUMENTS

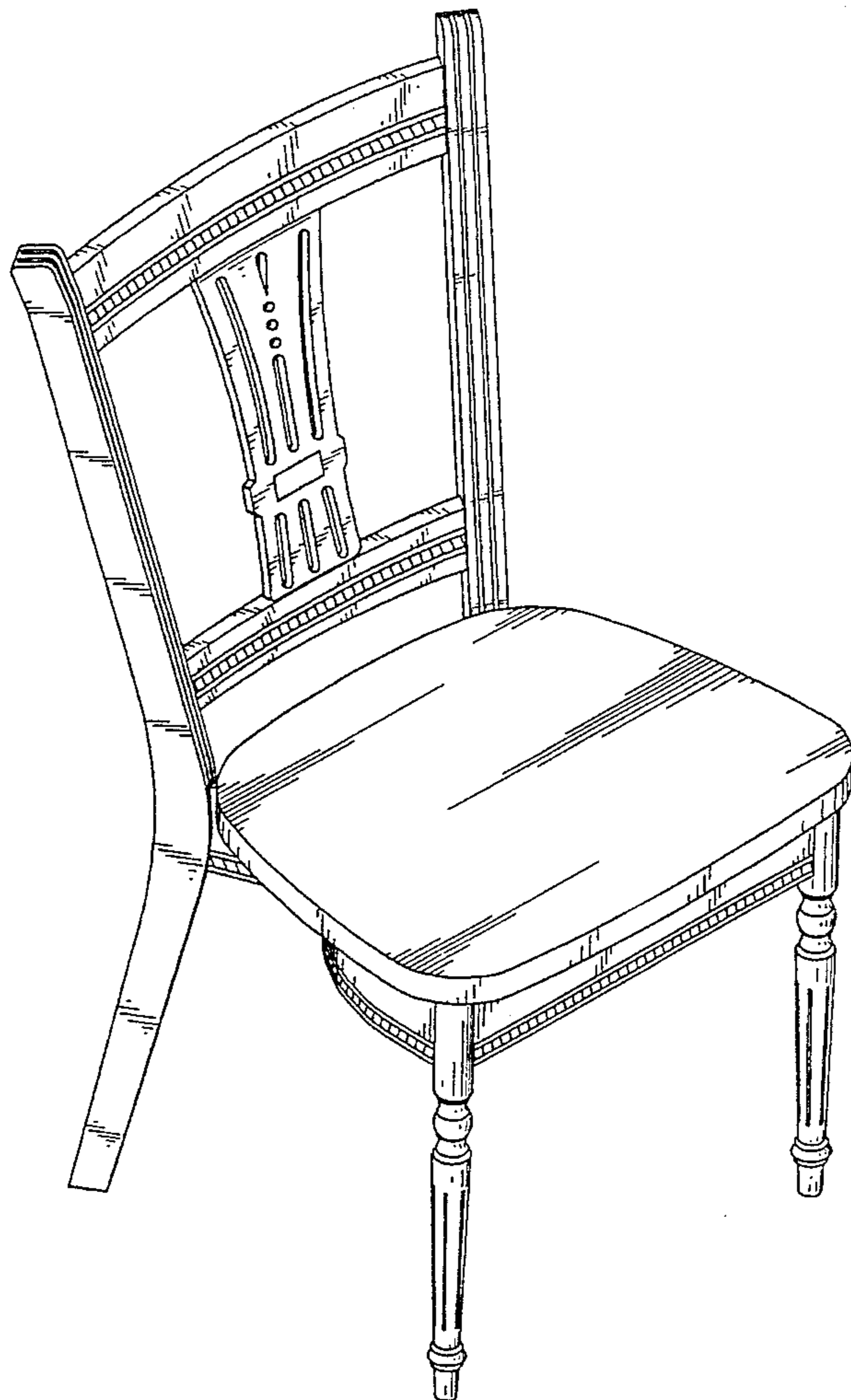
D. 11,551	12/1879	Partridge	D6/380
D. 42,618	6/1912	Collins	D6/374
D. 83,346	2/1931	Pauli	D6/380
D. 111,906	10/1938	Davis et al.	D6/380
D. 189,348	11/1960	Lubberts et al.	D6/380

OTHER PUBLICATIONS

Chairs & Couches by Curtis, ©1977, p. 9, 19th century arm chair at top right.

Encyclopedia of Chairs by Simon Yates, ©1988, p. 55, George III mahogany side chair #74 at bottom right.

1 Claim, 5 Drawing Sheets



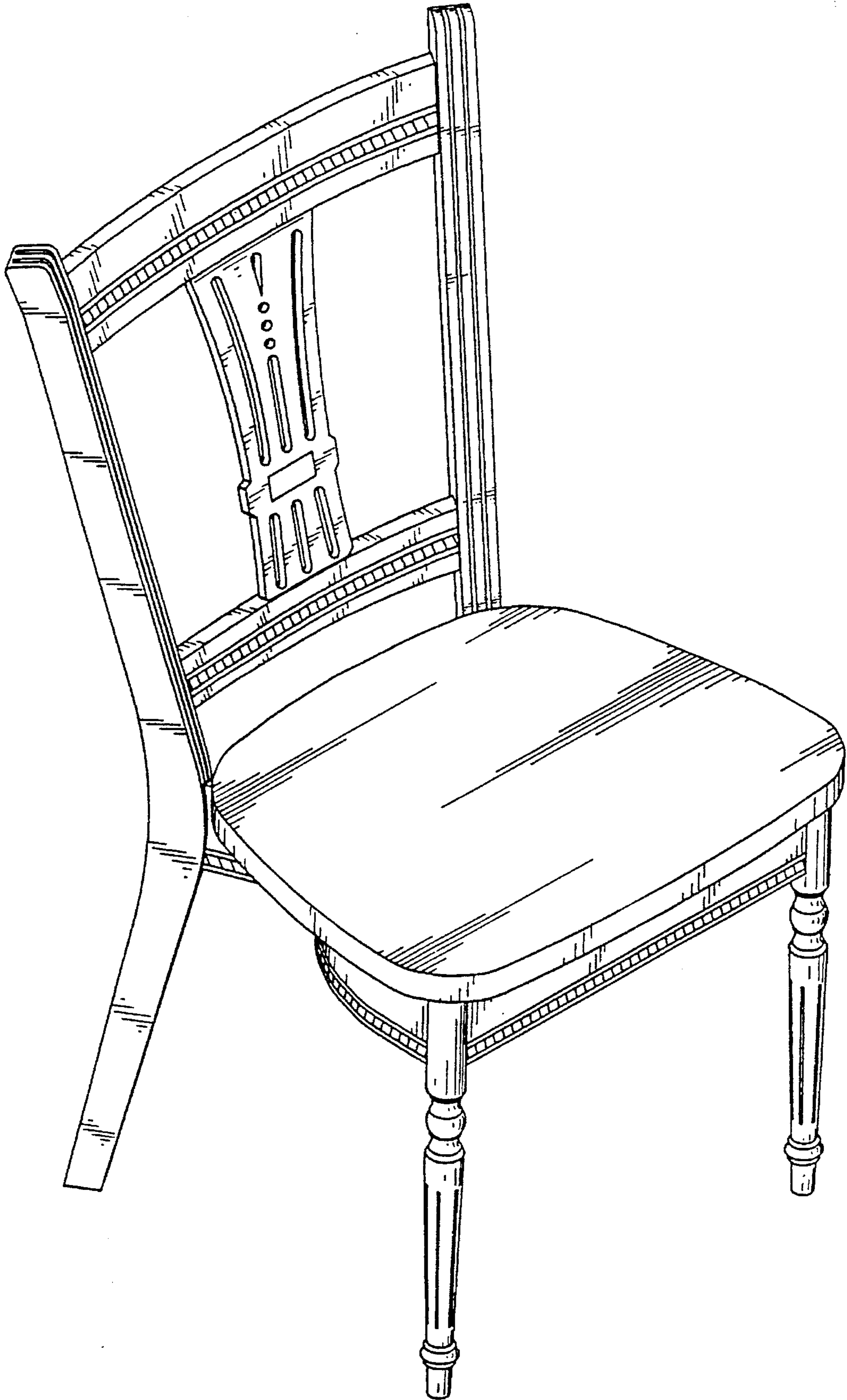


FIG. 1

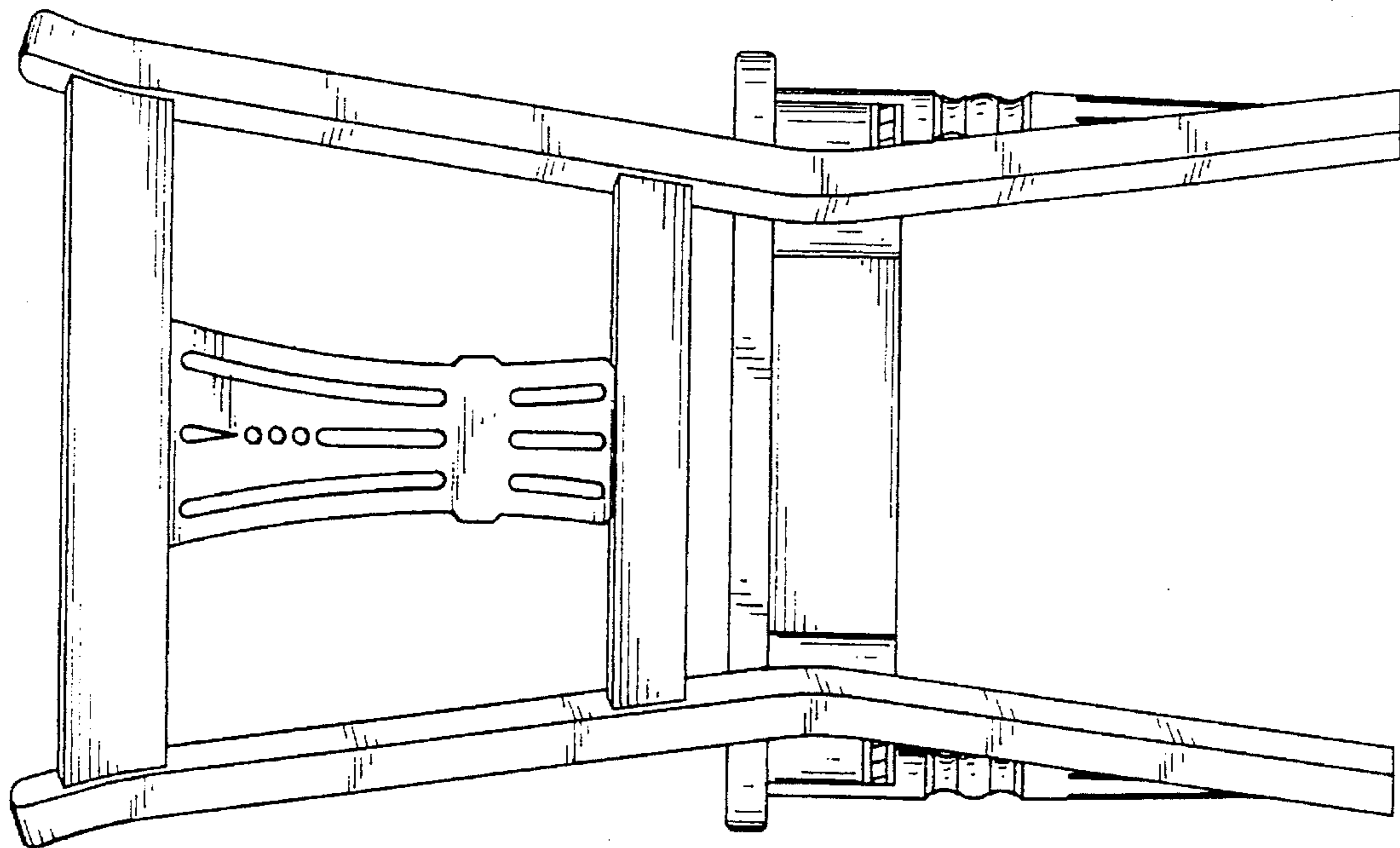


FIG.3

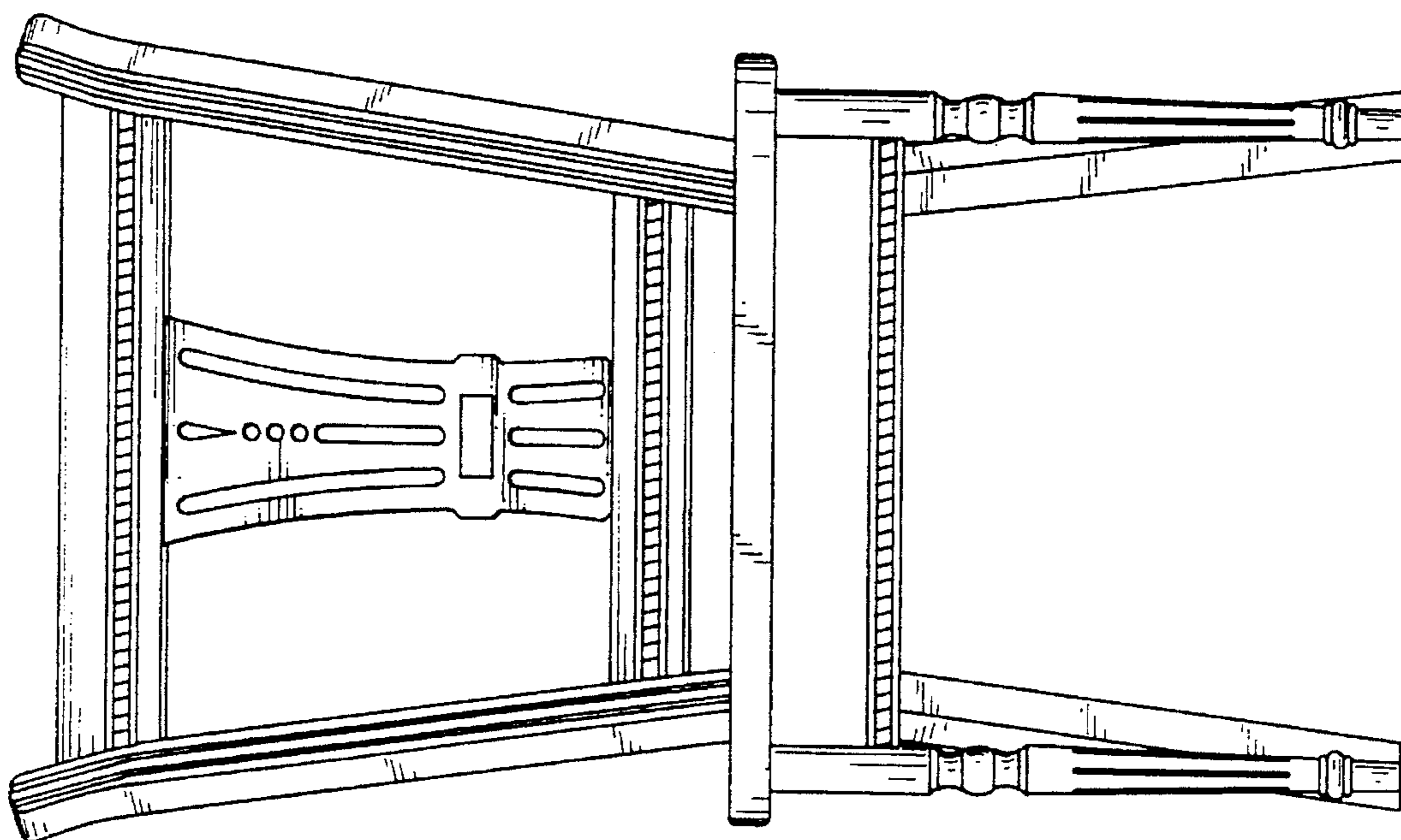


FIG.2

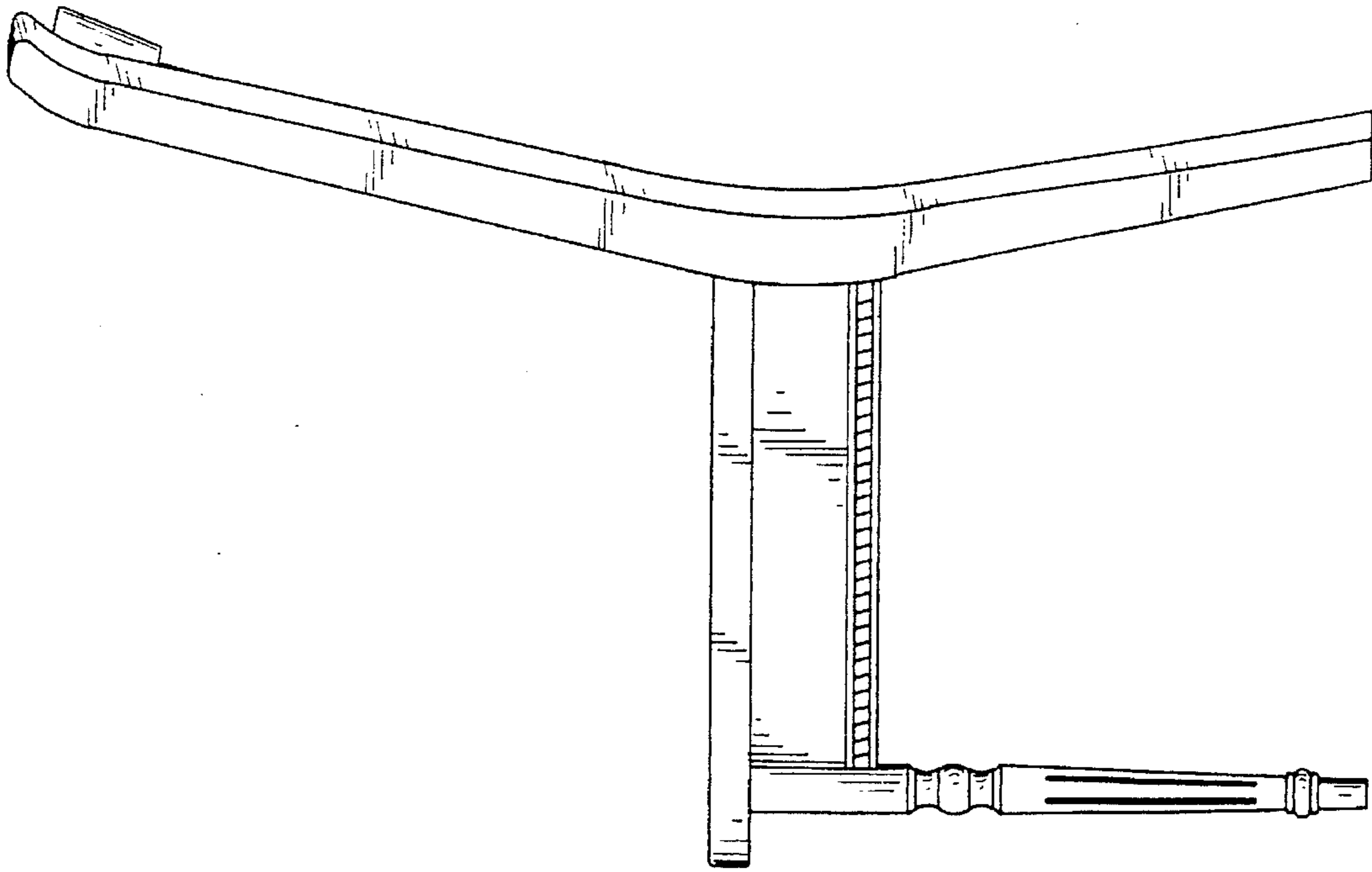


FIG. 5

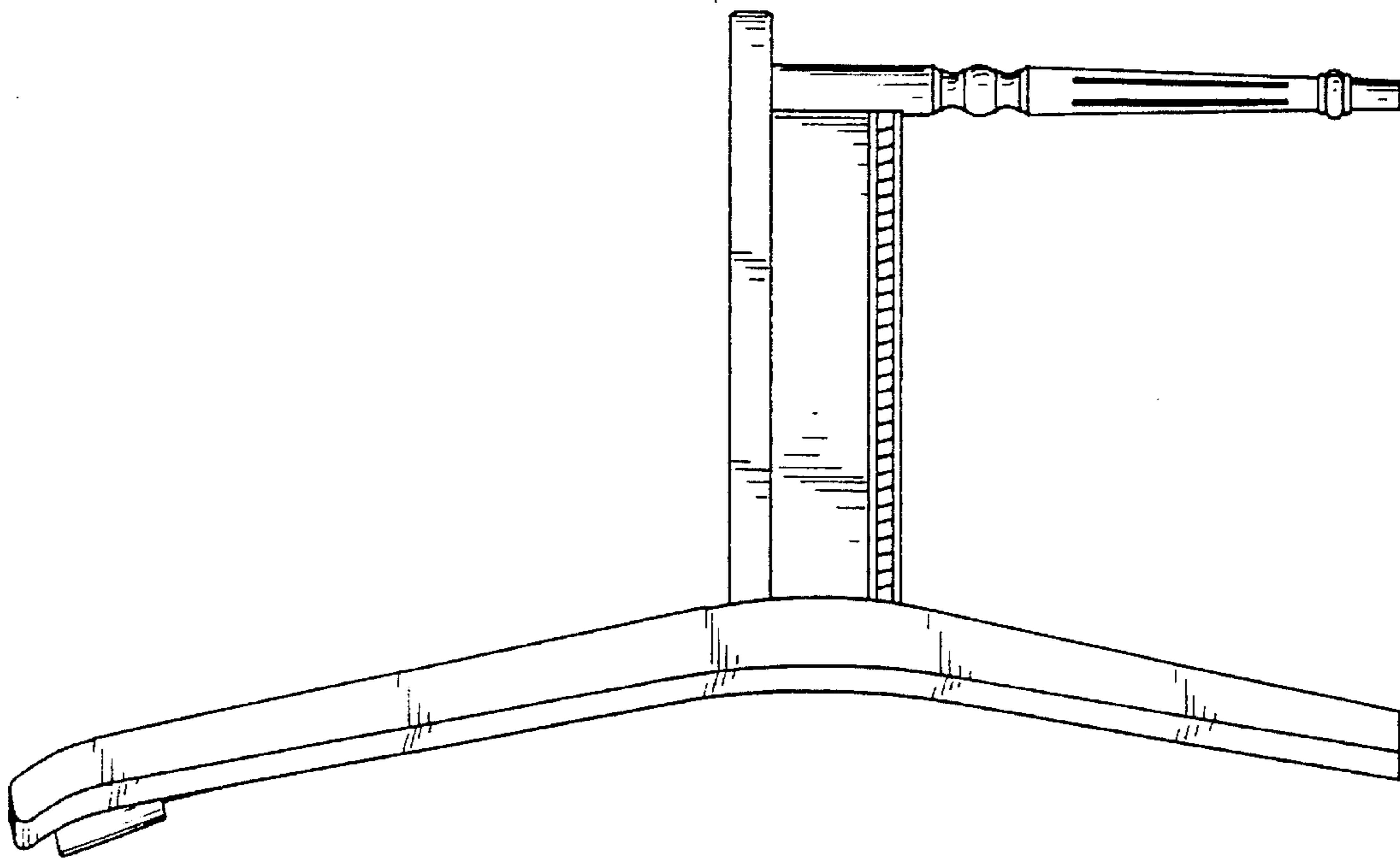


FIG. 4

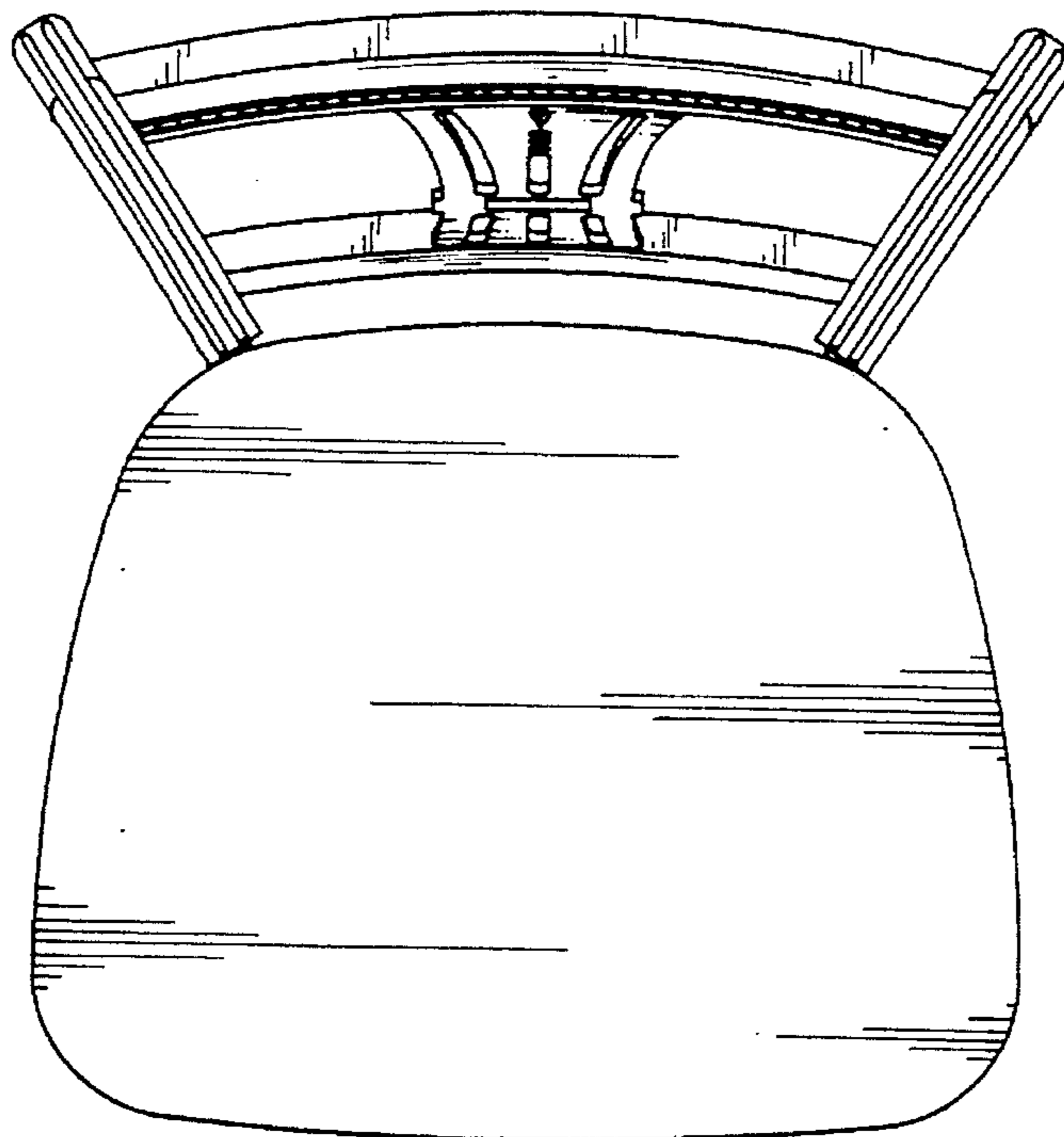


FIG. 6

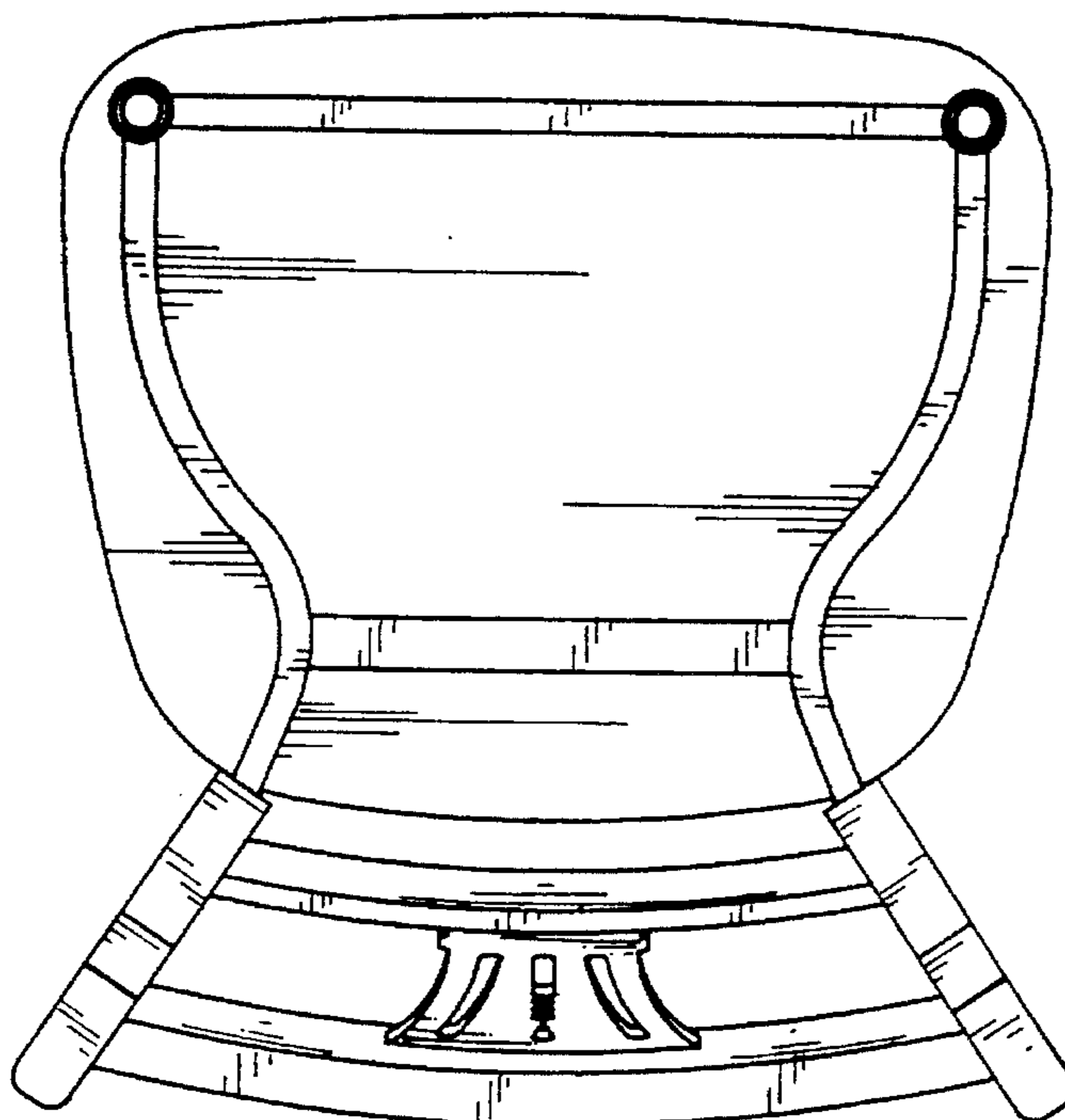


FIG. 7

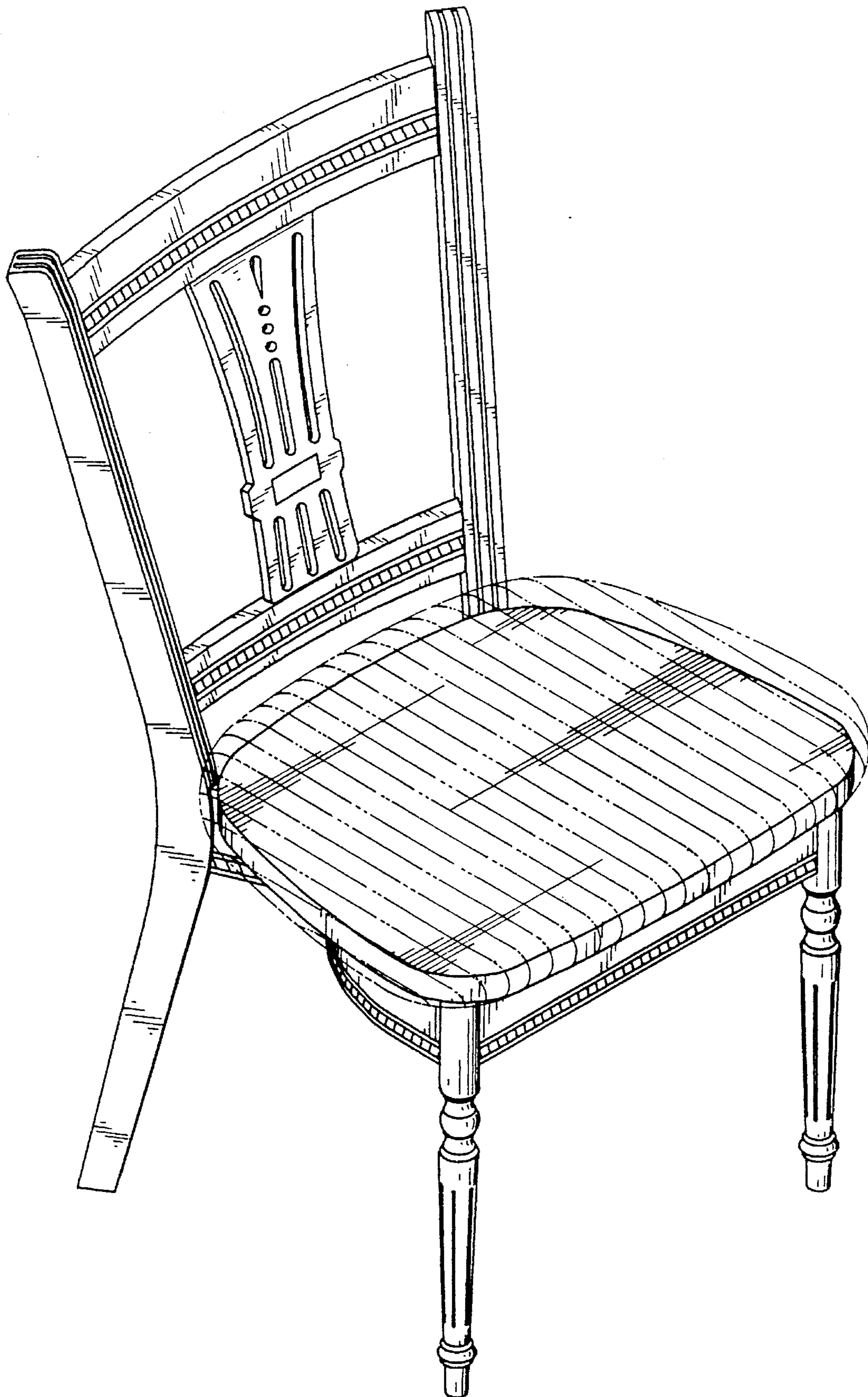


FIG. 8