



US00D376701S

United States Patent [19]

[11] Patent Number: **Des. 376,701**

Thompson

[45] Date of Patent: ****Dec. 24, 1996**

[54] **ROTATIONAL BOLSTER SEAT**

[75] Inventor: **Donald P. Thompson**, Sarasota, Fla.

[73] Assignee: **Genmar Industries, Inc.**, Minneapolis, Minn.

[**] Term: **14 Years**

[21] Appl. No.: **47,327**

[22] Filed: **Dec. 1, 1995**

[52] U.S. Cl. **D6/367; D6/334; D6/368**

[58] Field of Search **D6/334, 335, 336, D6/367, 368, 375, 500, 501, 502, 601; 297/1, 110, 111**

[56] **References Cited**

U.S. PATENT DOCUMENTS

D. 247,312	2/1978	Zeiss	D6/601 X
D. 251,168	2/1979	Perkey	D6/601 X
D. 258,557	3/1981	Herr	D6/601
D. 291,033	7/1987	McLeod	D6/334
D. 321,562	11/1991	Ljongvall	D6/601 X
D. 358,957	6/1995	Propp	D6/501

Primary Examiner—Gary D. Watson

Attorney, Agent, or Firm—Merchant, Gould, Smith, Edell, Welter & Smith, P.A.

[57] **CLAIM**

The ornamental design for rotational bolster seat, as shown and described.

DESCRIPTION

FIG. 1 is a perspective view of the present invention in the seat position;

FIG. 2 is a front view of the present invention in the seat position;

FIG. 3 is a rear view of the present invention in the seat position;

FIG. 4 is a side view of the present invention in the seat position;

FIG. 5 is a side view of the present invention in the seat position;

FIG. 6 is a top view of the present invention in the seat position;

FIG. 7 is a bottom view of the present invention in the seat position;

FIG. 8 is a prospective view of the present invention in the bolster position;

FIG. 9 is a front view of the present invention in the bolster position;

FIG. 10 is a rear view of the present invention in the bolster position;

FIG. 11 is a side view of the present invention in the bolster position;

FIG. 12 is a side view of the present invention in the bolster position;

FIG. 13 is a top view of the present invention in the bolster position; and,

FIG. 14 is a bottom view of the present invention in the bolster position.

1 Claim, 7 Drawing Sheets

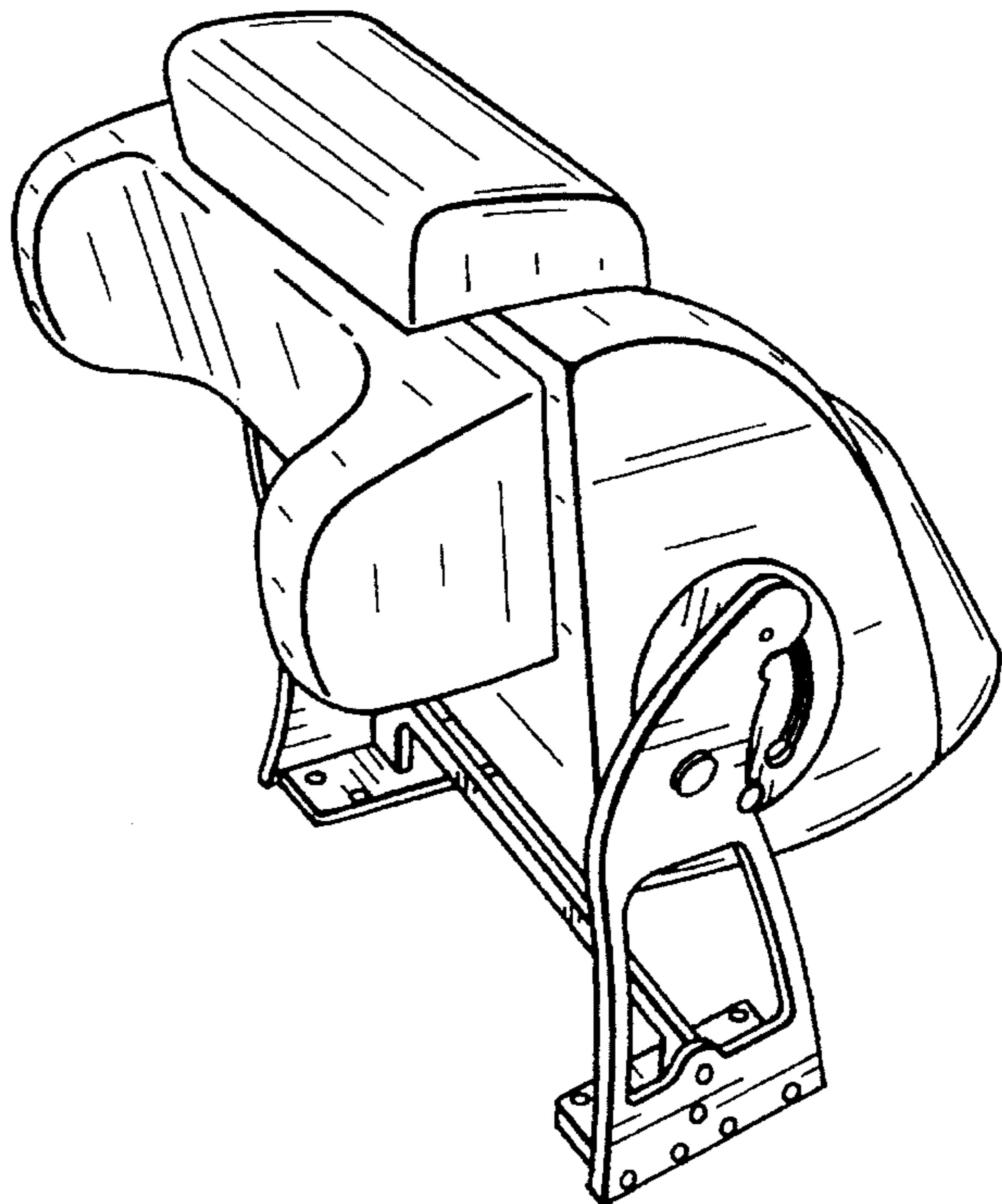
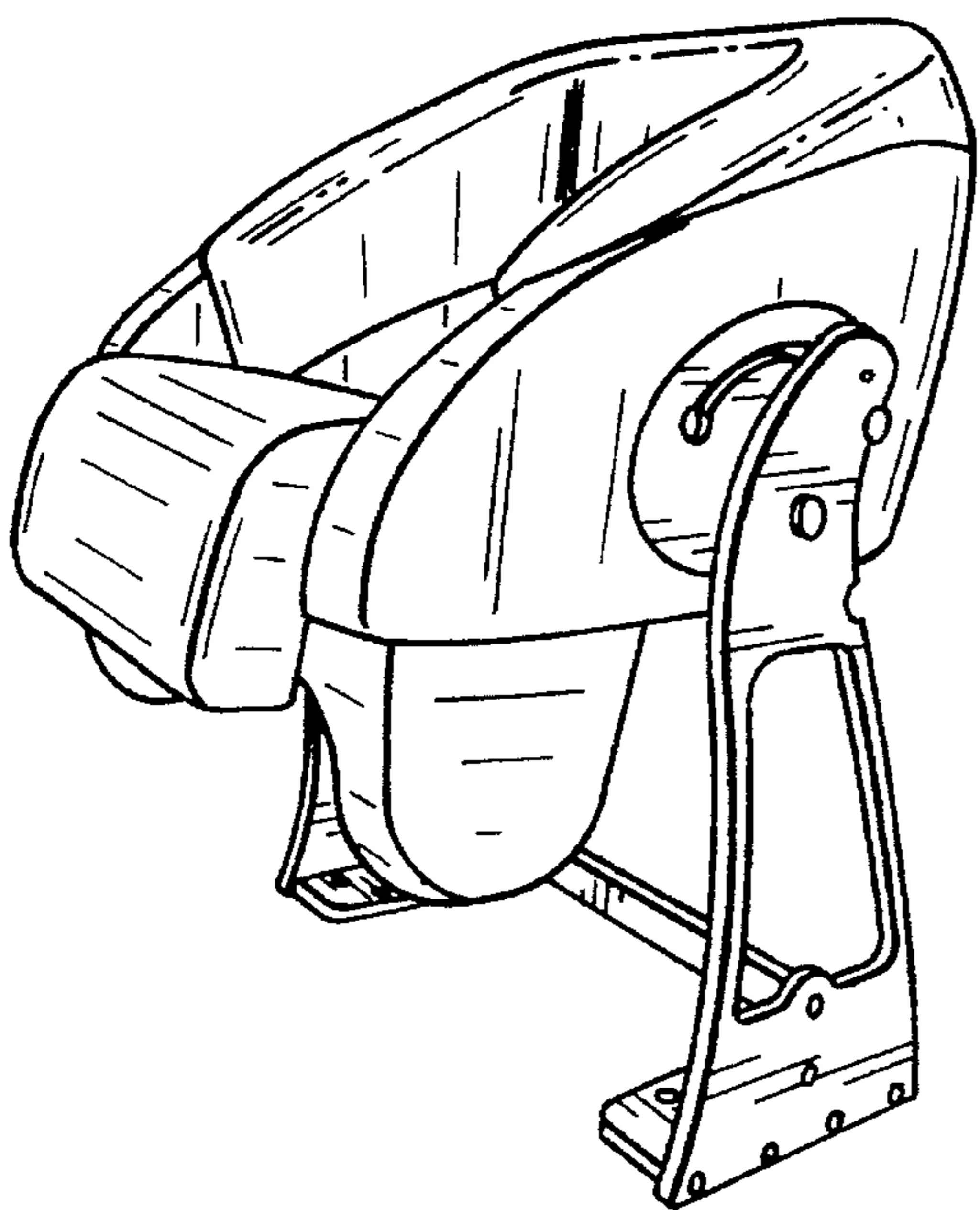


FIG. 1

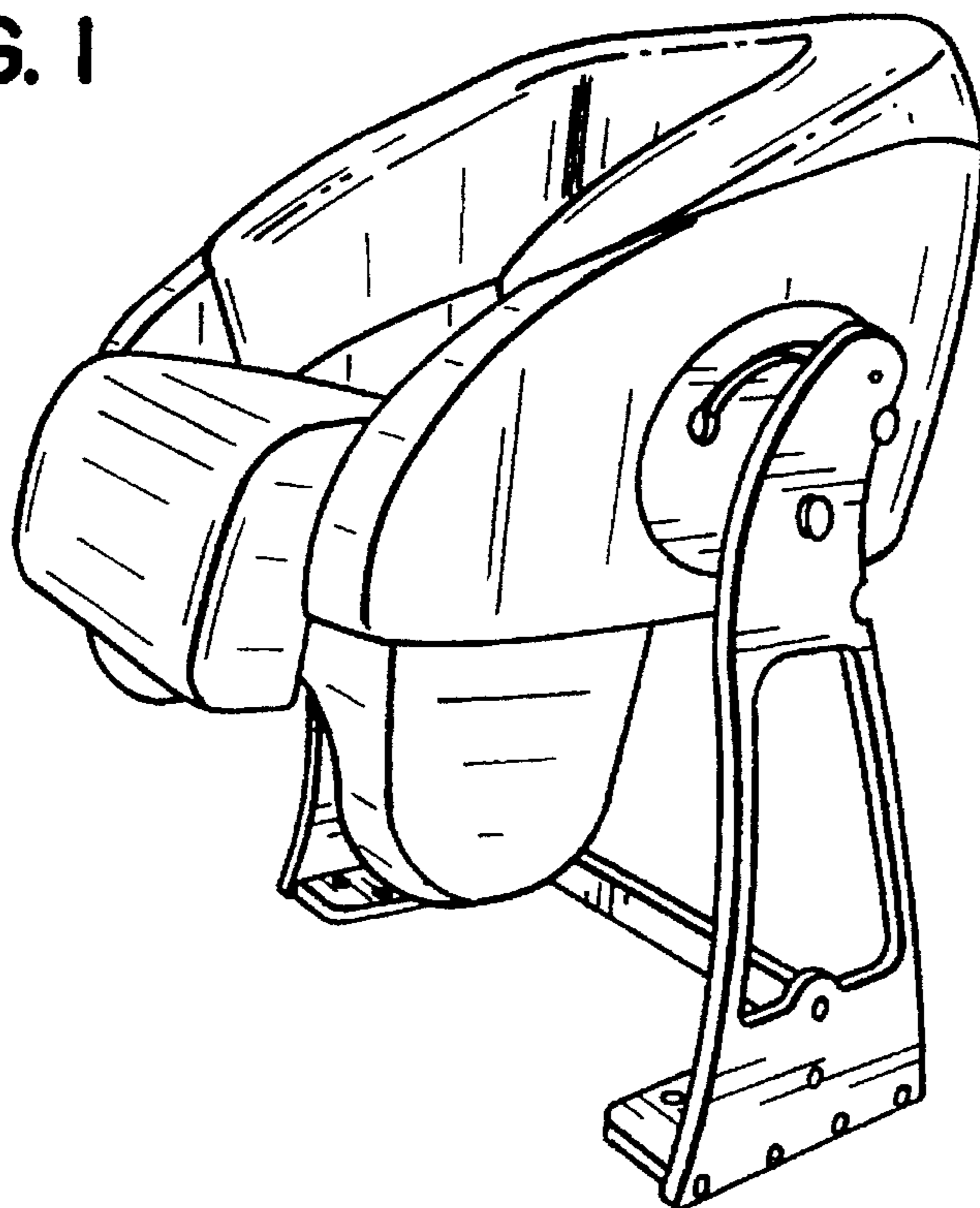


FIG. 8

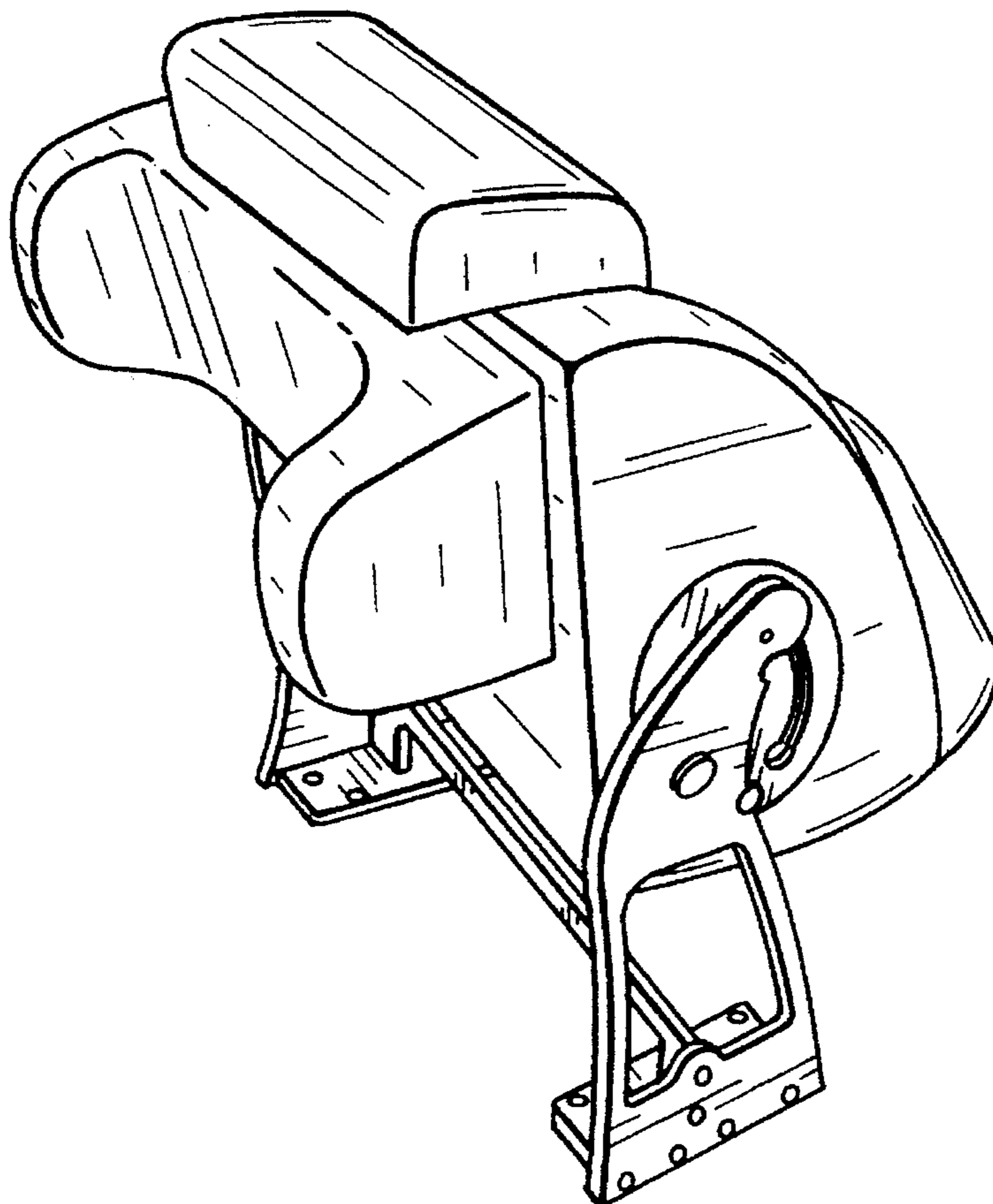


FIG. 3

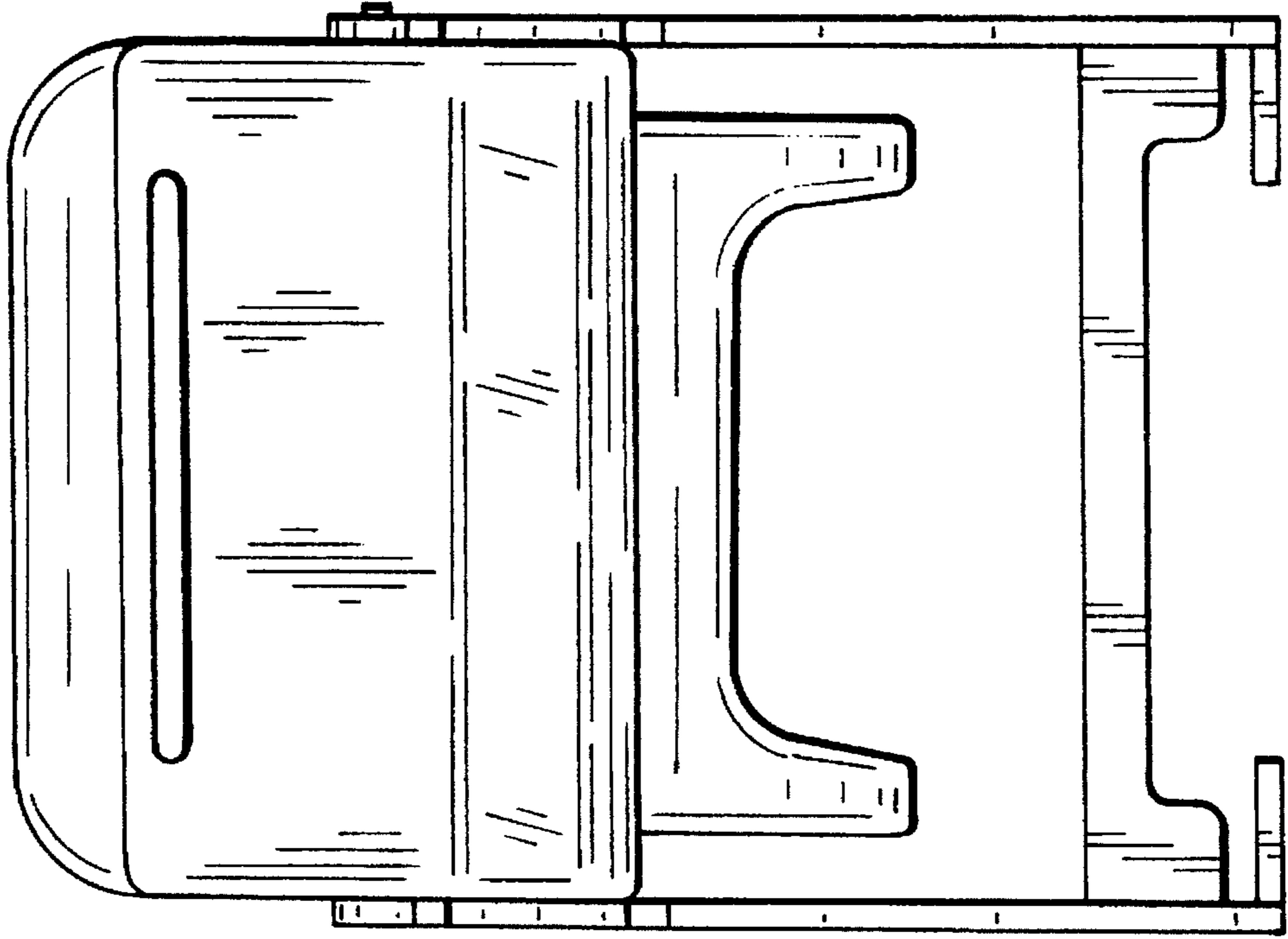


FIG. 2

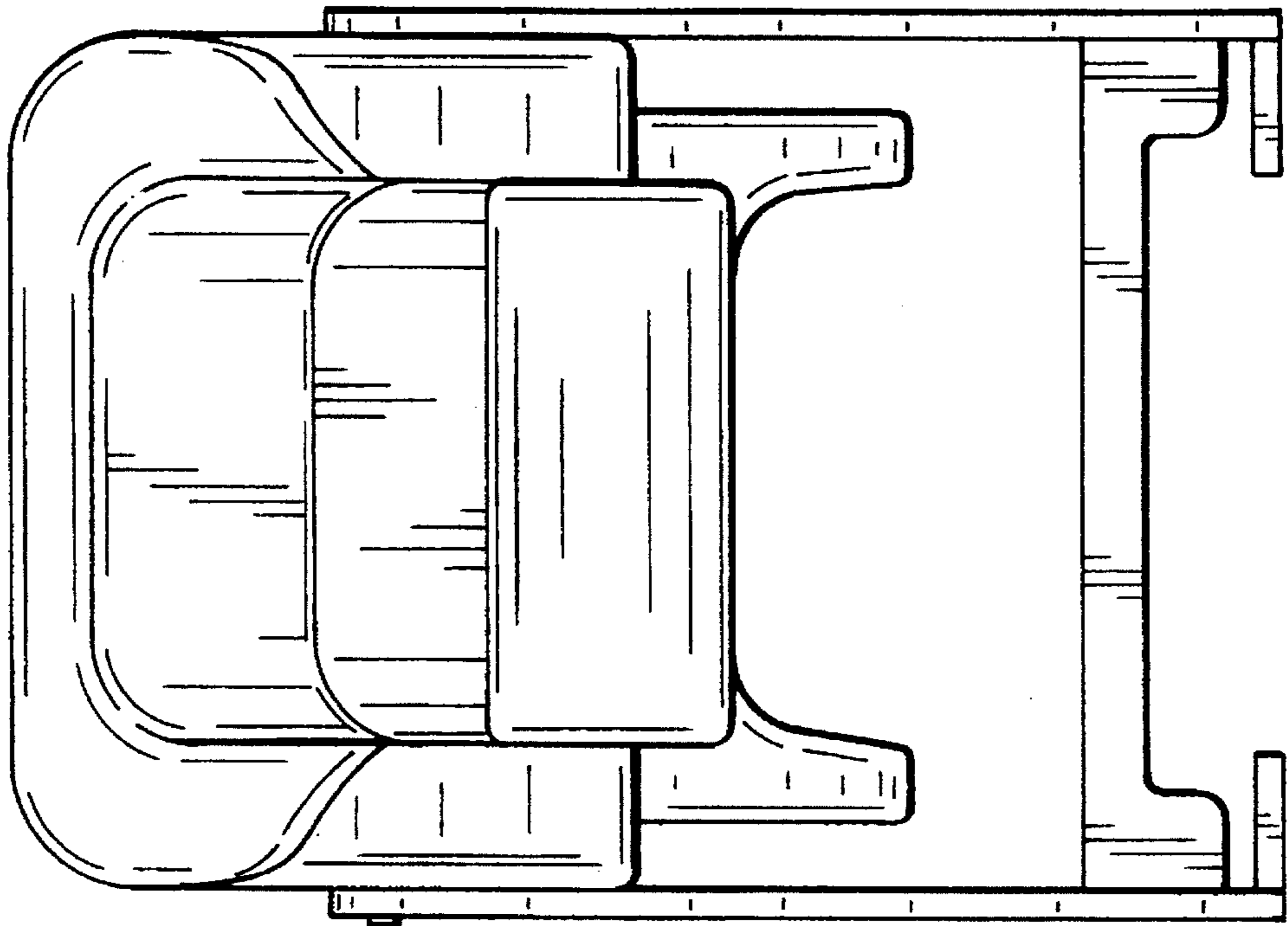


FIG. 4

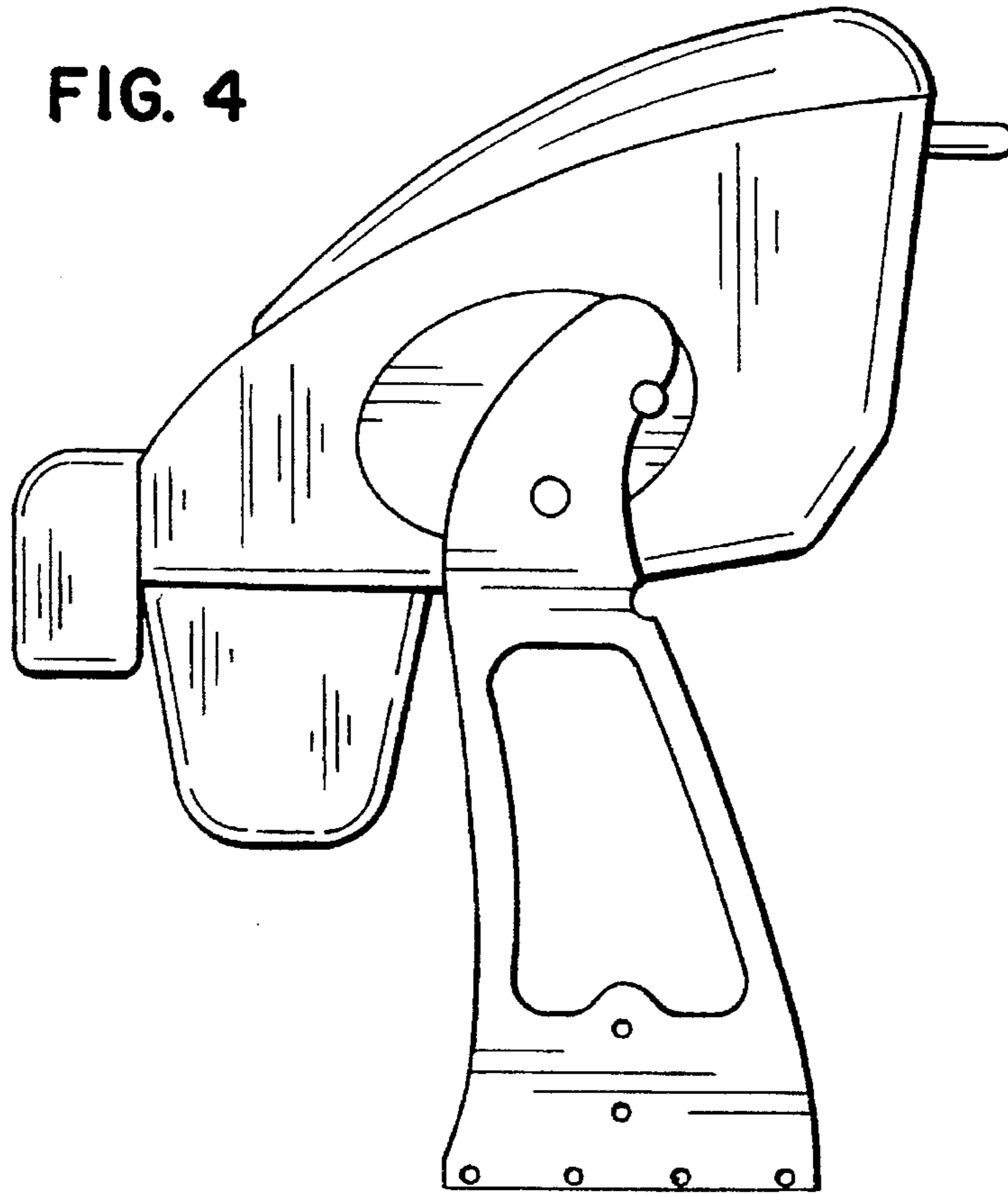


FIG. 5

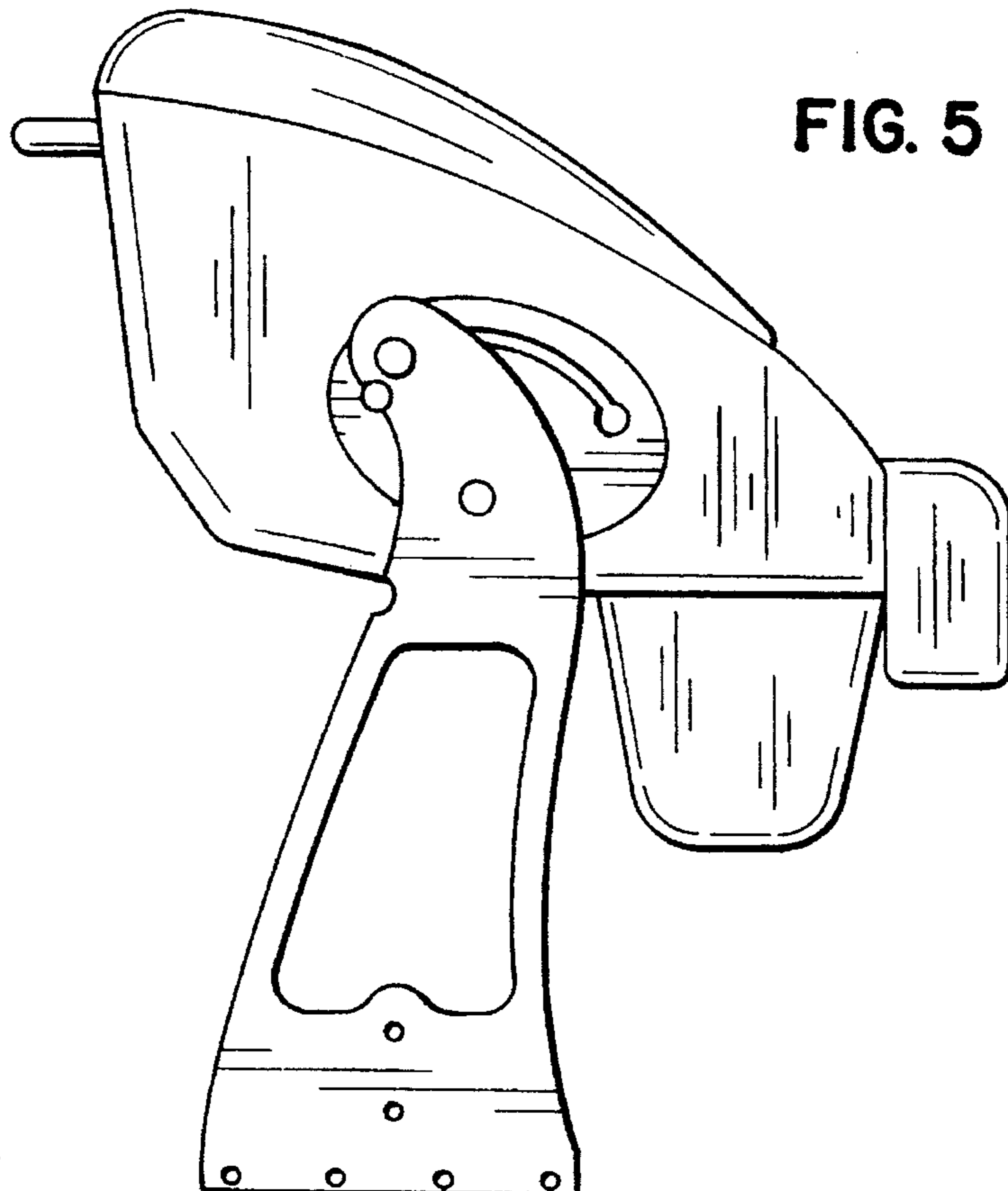


FIG. 6

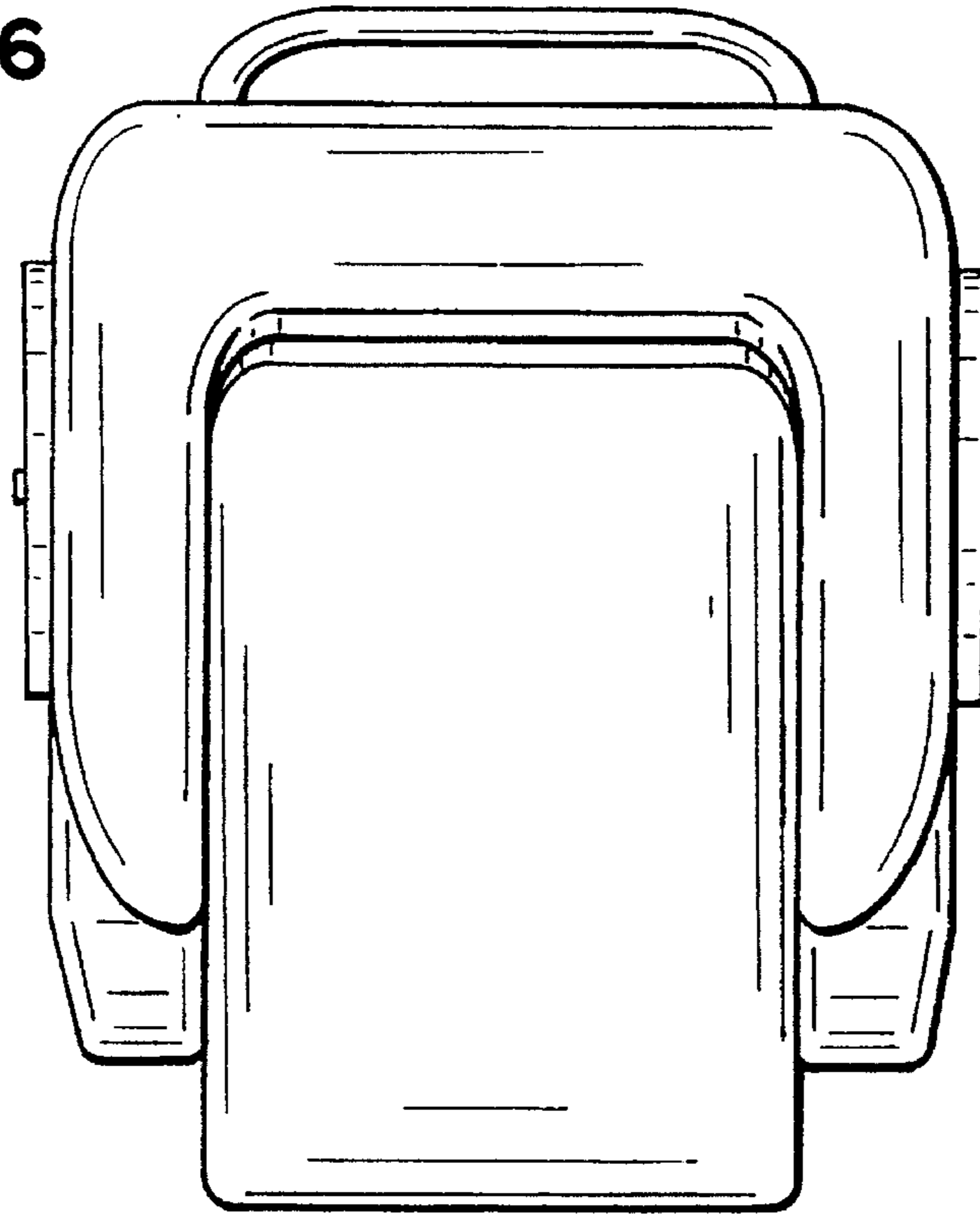


FIG. 7

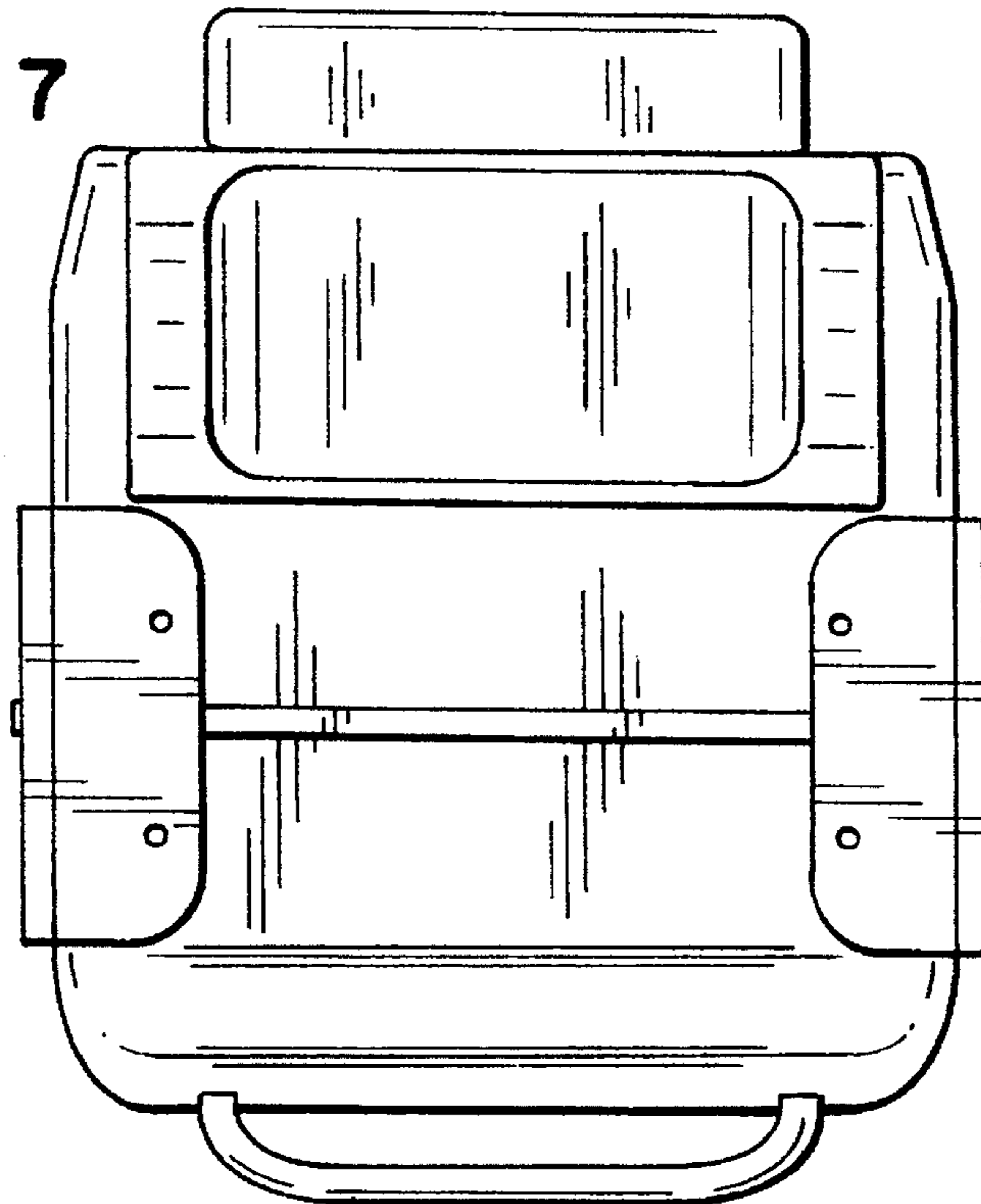


FIG. 10

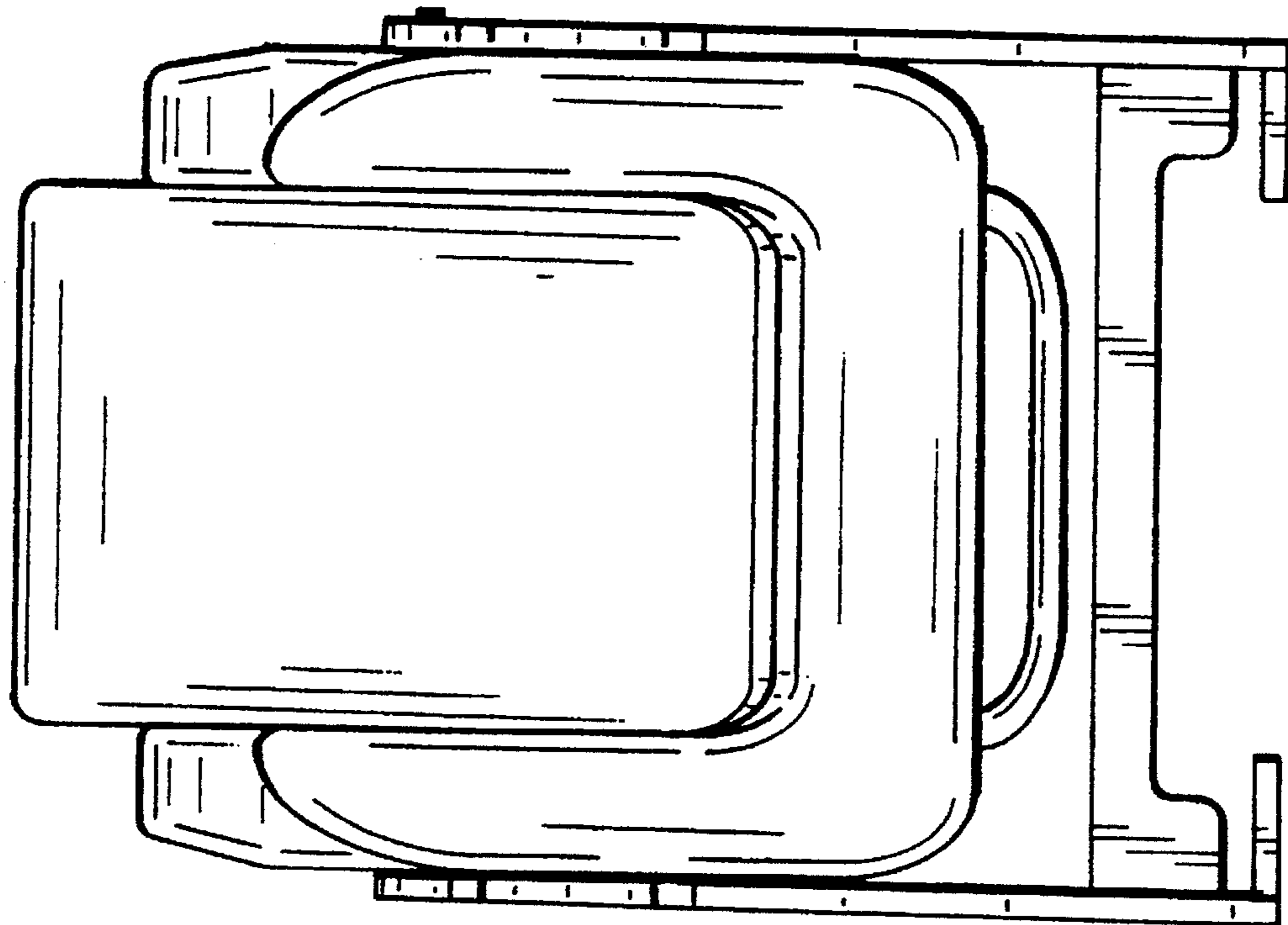
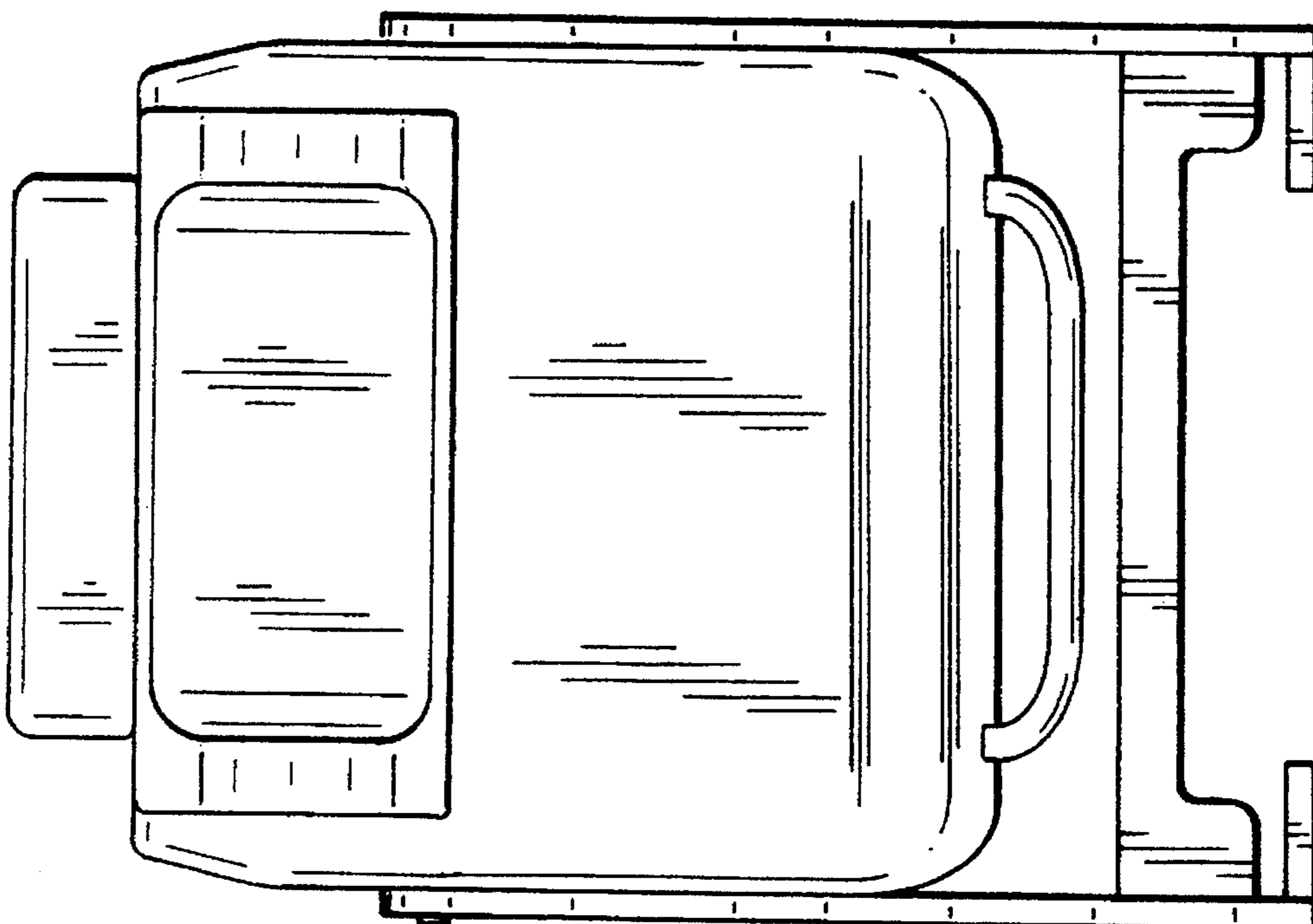


FIG. 9



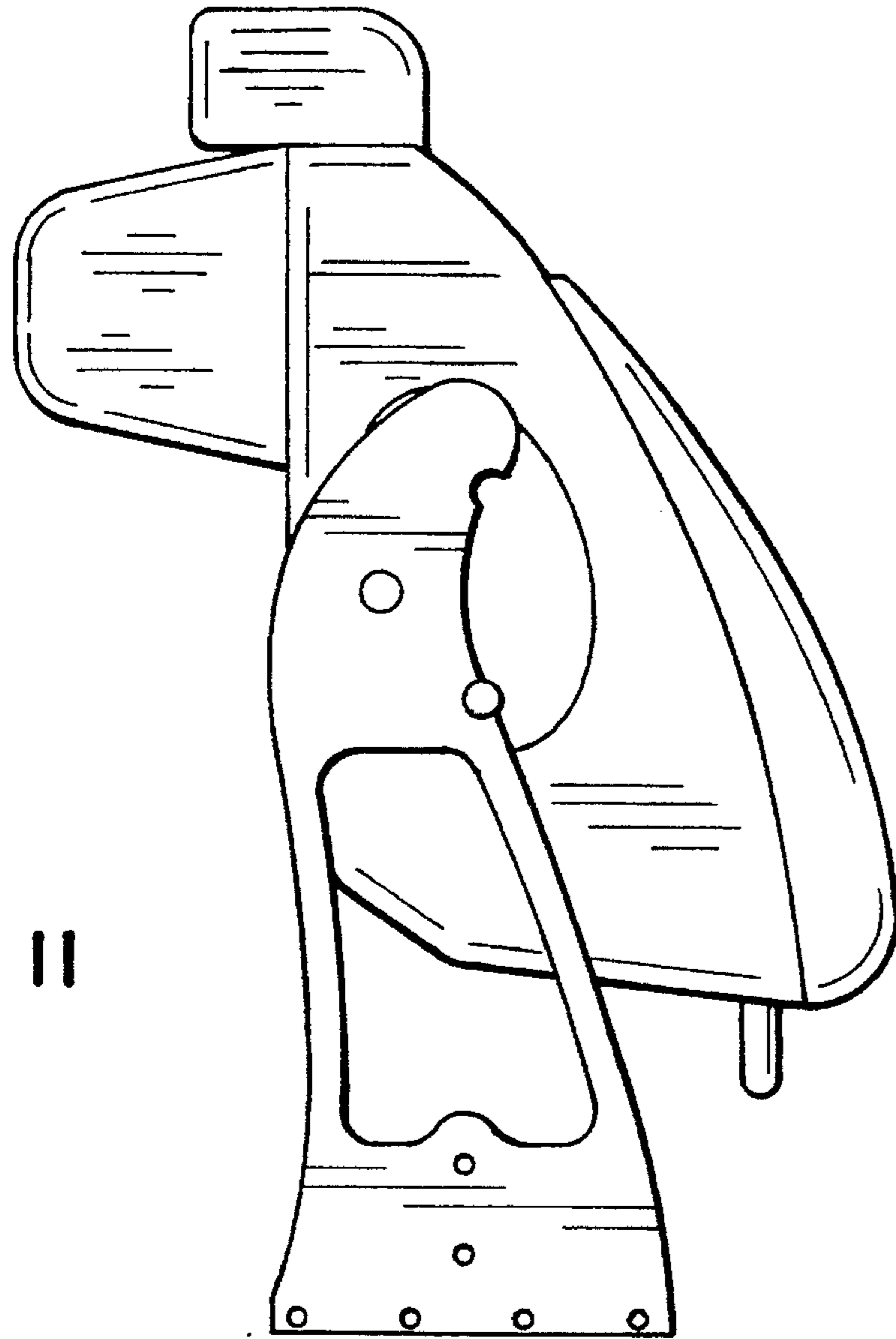


FIG. 11

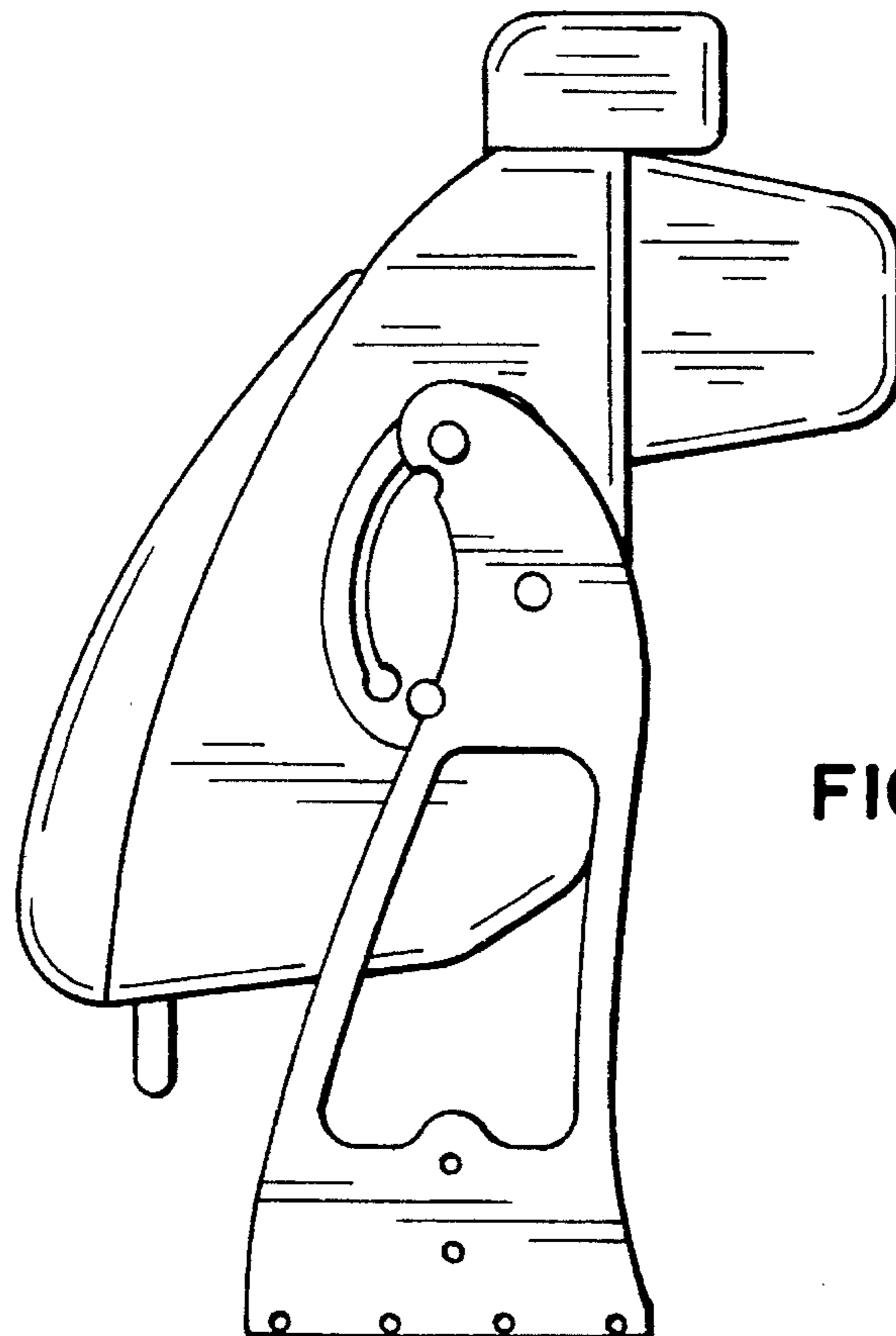


FIG. 12

FIG. 13

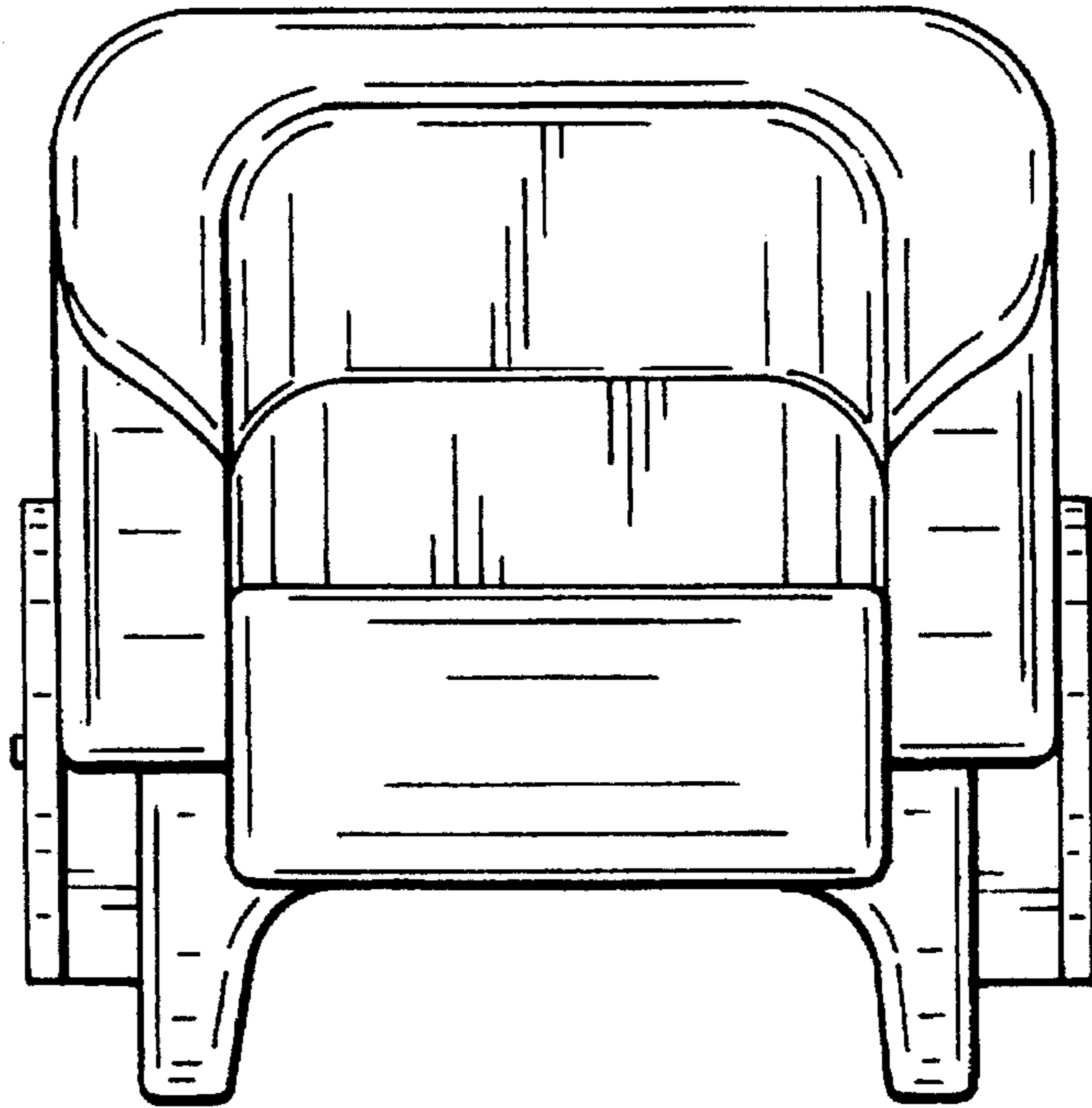


FIG. 14

