



US00D376698S

United States Patent [19]

[11] Patent Number: **Des. 376,698**

Mikuljan

[45] Date of Patent: ****Dec. 24, 1996**

[54] **BROOM**

2,444,758 7/1948 Stillbach 15/145

[76] Inventor: **Dennis Mikuljan**, 4119 Independence Ave., Mississauga, ON, Canada, L4Z 1V7

Primary Examiner—A. Hugo Word

Assistant Examiner—Lavone D. Tabor

Attorney, Agent, or Firm—Harold H. Dutton, Jr.; W. Charles L. Jamison; Diane F. Liebman

[**] Term: **14 Years**

[57] **CLAIM**

[21] Appl. No.: **48,047**

The ornamental design for a broom, as shown and described.

[22] Filed: **Dec. 19, 1995**

DESCRIPTION

[52] U.S. Cl. **D4/132**

[58] **Field of Search** D4/130, 132, 135, D4/138, 199; D32/50, 51; 15/143.1, 144.1–144.4, 145, 159.1, 160, 168, 171, 175, 176.1, 176.6

FIG. 1 is a perspective view of a broom showing my new design;

FIG. 2 is a front view view thereof;

The rear view is a mirror image of FIG. 2;

FIG. 3 is a left side view thereof;

The right side view is a mirror image of FIG. 3;

FIG. 4 is a top view thereof; and,

FIG. 5 is a bottom view thereof.

FIGS. 2–5 are shown on a reduced scale.

[56] **References Cited**

U.S. PATENT DOCUMENTS

D. 317,068	5/1991	Bosworth	D4/135 X
D. 364,741	12/1995	Reuter, III	D4/132
699,348	5/1902	Richardson	15/171
1,398,052	11/1921	Wansor	15/176.1

1 Claim, 3 Drawing Sheets

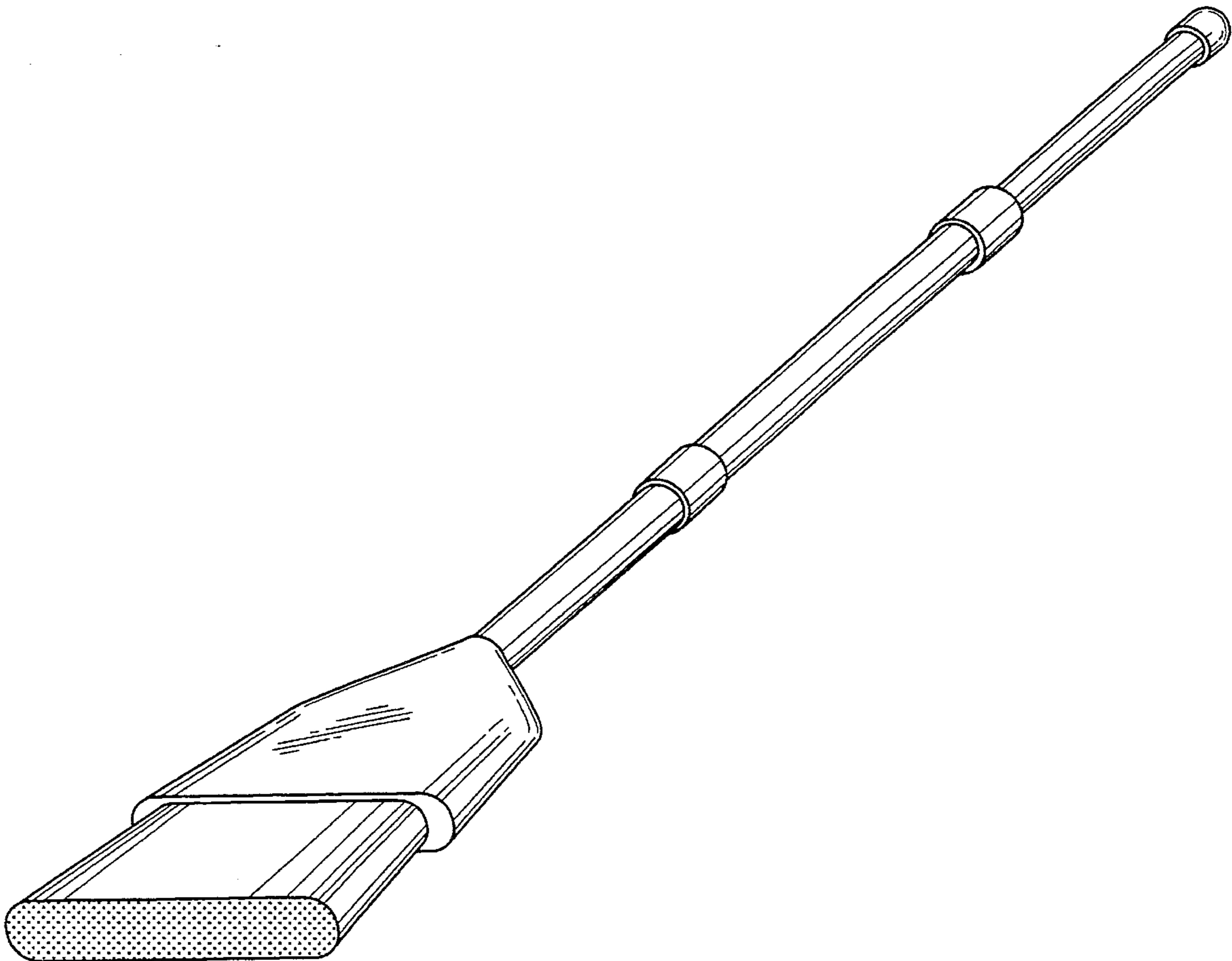


FIG. 1

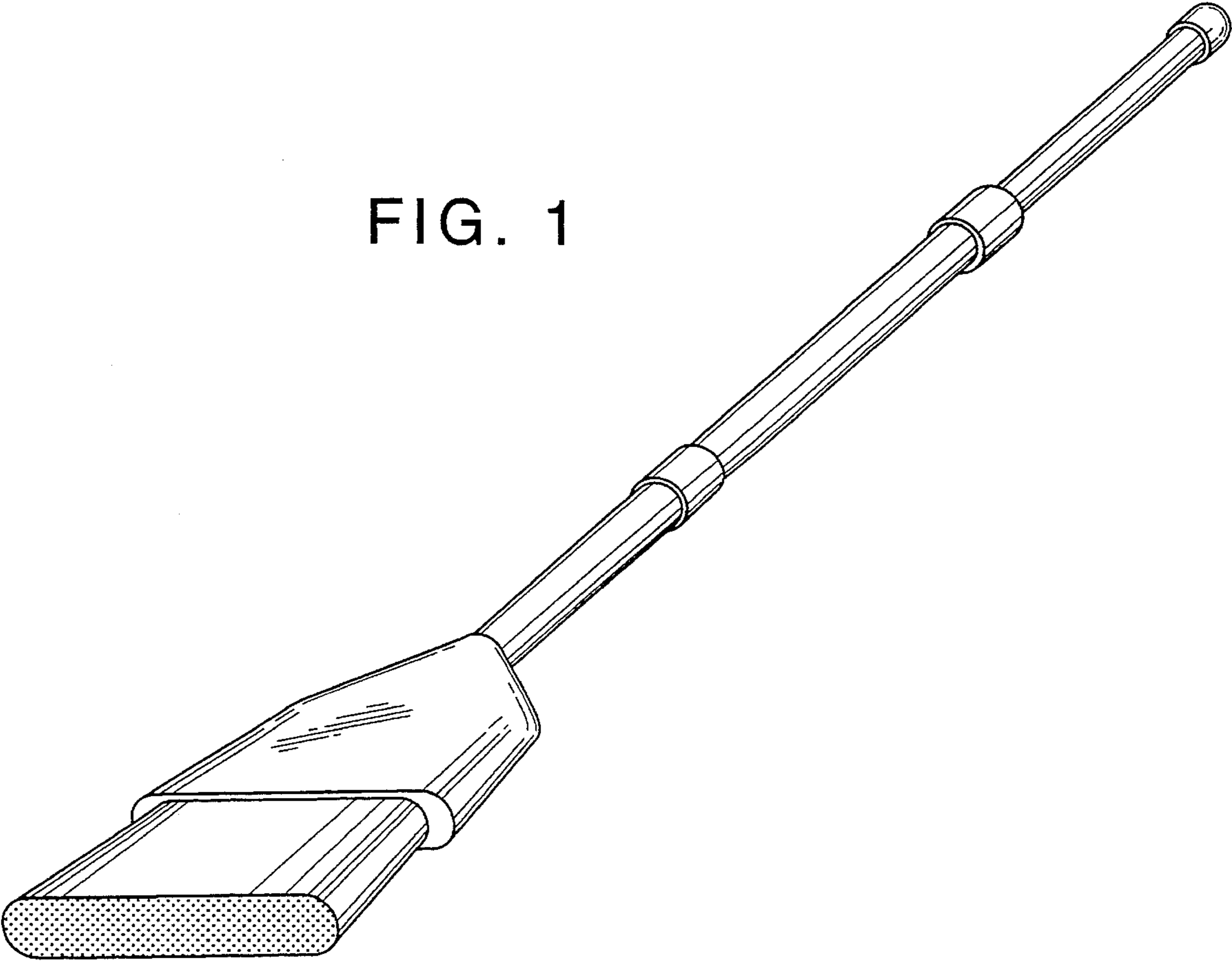


FIG. 2

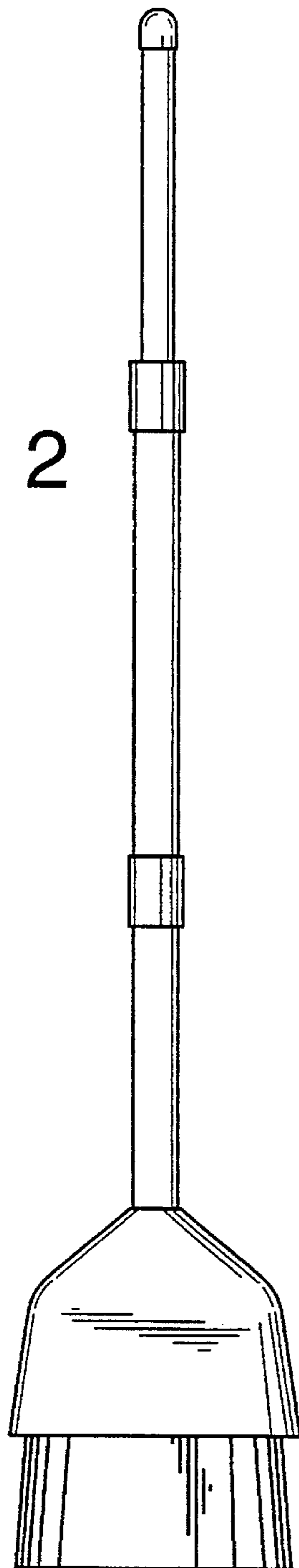


FIG. 3





FIG. 4

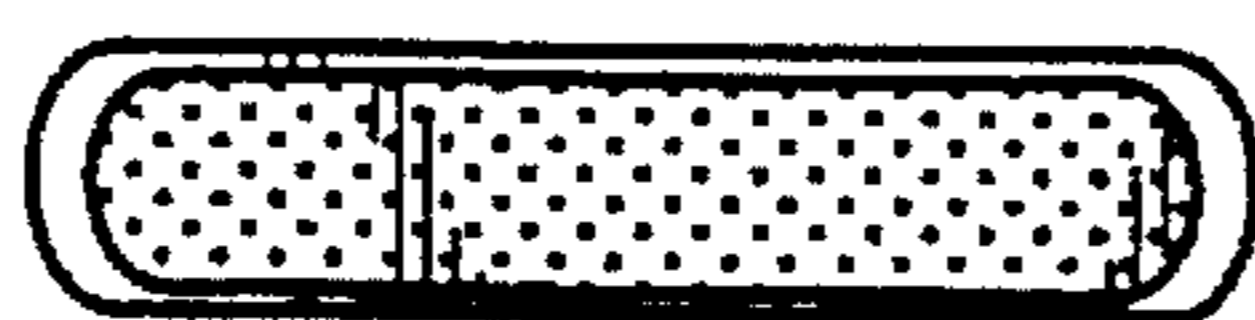


FIG. 5