



US00D376696S

# United States Patent [19]

Vogel, Jr.

[11] Patent Number: **Des. 376,696**

[45] Date of Patent: **\*\*Dec. 24, 1996**

[54] **TOOTH BRUSH WITH REMOVABLE HEAD**

[76] Inventor: **William T. Vogel, Jr.**, 266 Center St., Lackawanna, N.Y. 14218

[\*\*] Term: **14 Years**

[21] Appl. No.: **29,317**

[22] Filed: **Oct. 3, 1994**

[52] U.S. Cl. .... **D4/104; D4/121**

[58] Field of Search ..... D4/104, 112, 121, D4/130, 133-134, 136, 138; 15/143.1, 145, 159.1, 160, 167.1, 167.2, 176.1, 176.6, 186-187

[56] **References Cited**

**U.S. PATENT DOCUMENTS**

D. 192,025	1/1962	Rudnick .....	D4/104
D. 246,080	10/1977	Rallis .....	D4/104
D. 293,859	1/1988	Gjerde .....	D4/104
4,683,604	8/1987	Rueb .....	15/176.1
5,033,154	7/1991	Marchand et al. ....	15/167.1

*Primary Examiner*—A. Hugo Word  
*Assistant Examiner*—Lavone D. Tabor  
*Attorney, Agent, or Firm*—Harold H. Dutton, Jr.; W. Charles L. Jamison; Diane S. Liebman

[57] **CLAIM**

The ornamental design for a tooth brush with removable head, as shown and described.

**DESCRIPTION**

FIG. 1 is an exploded perspective view of a tooth brush with removable head showing my new design; FIG. 2 is a side elevational view thereof; FIG. 3 is a front view thereof; FIG. 4 is an assembled rear view thereof; FIG. 5 is a top plan view thereof; and, FIG. 6 is a bottom plan view thereof.

The side opposite to that shown in FIG. 2 is a mirror image thereof.

**1 Claim, 3 Drawing Sheets**

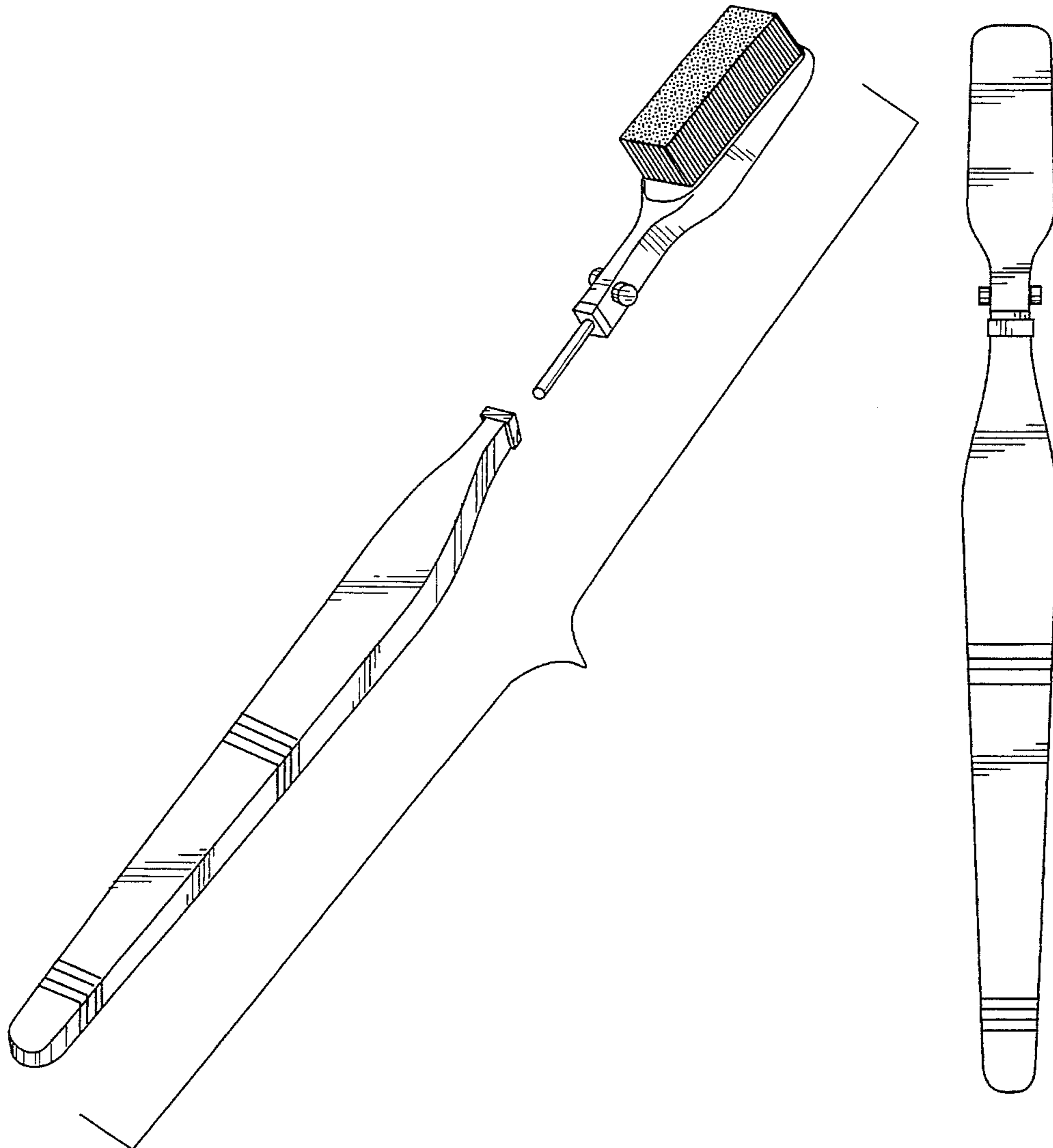


FIG. 1

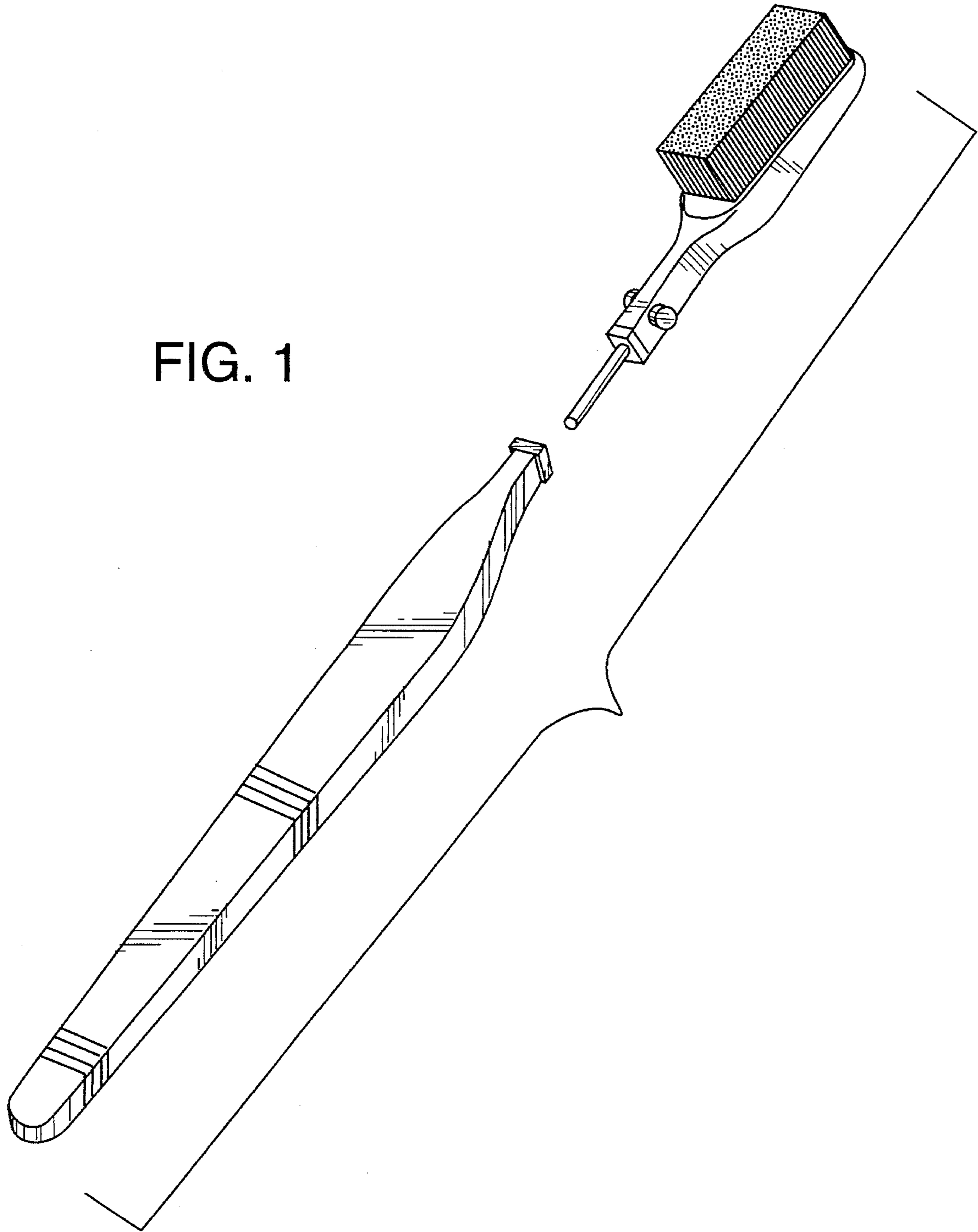


FIG. 2

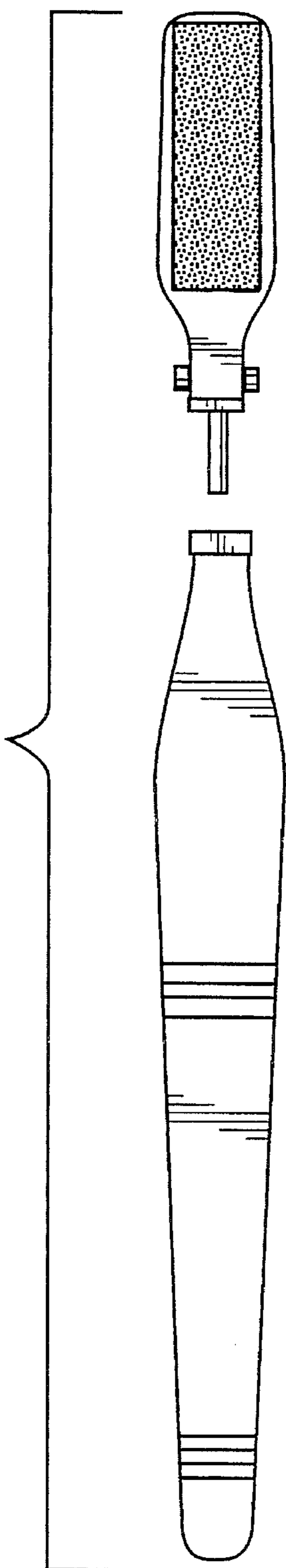
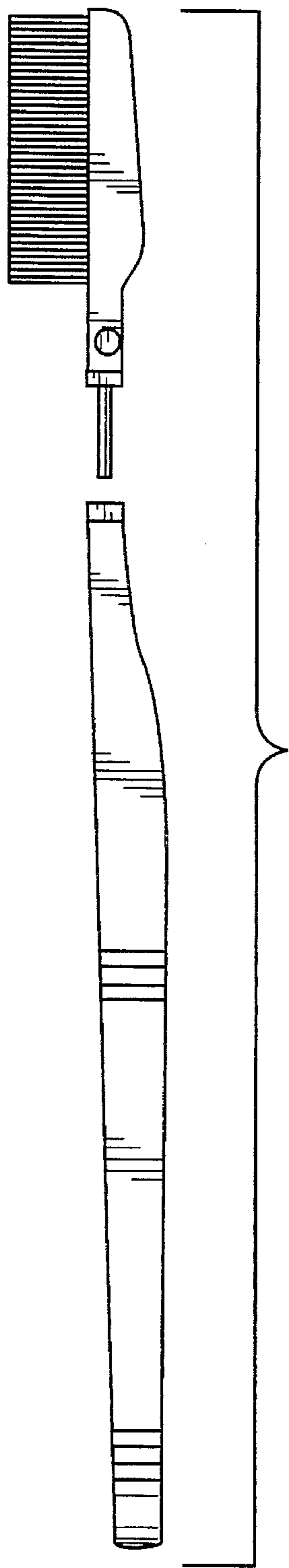


FIG. 3

FIG. 4



FIG. 5

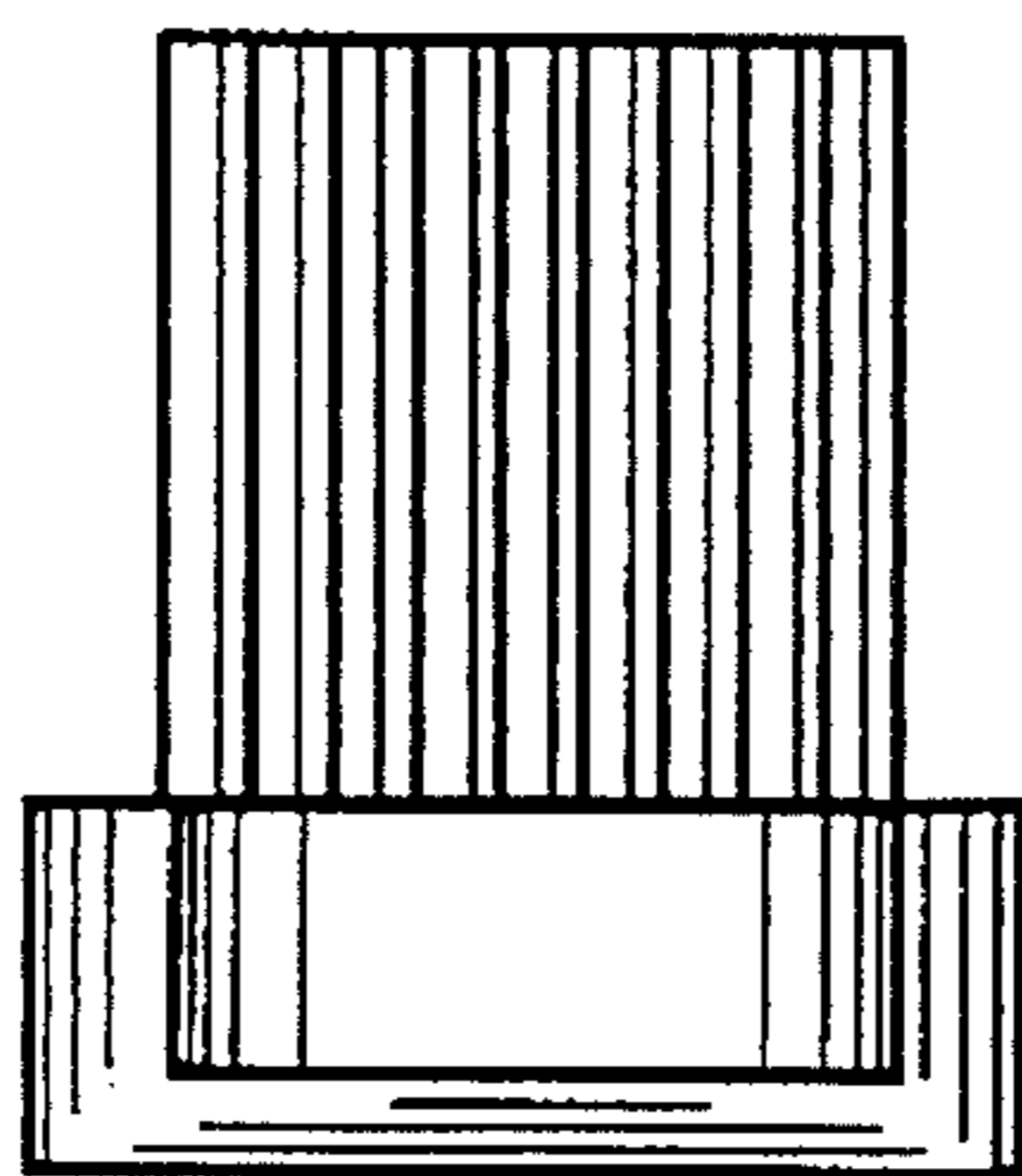
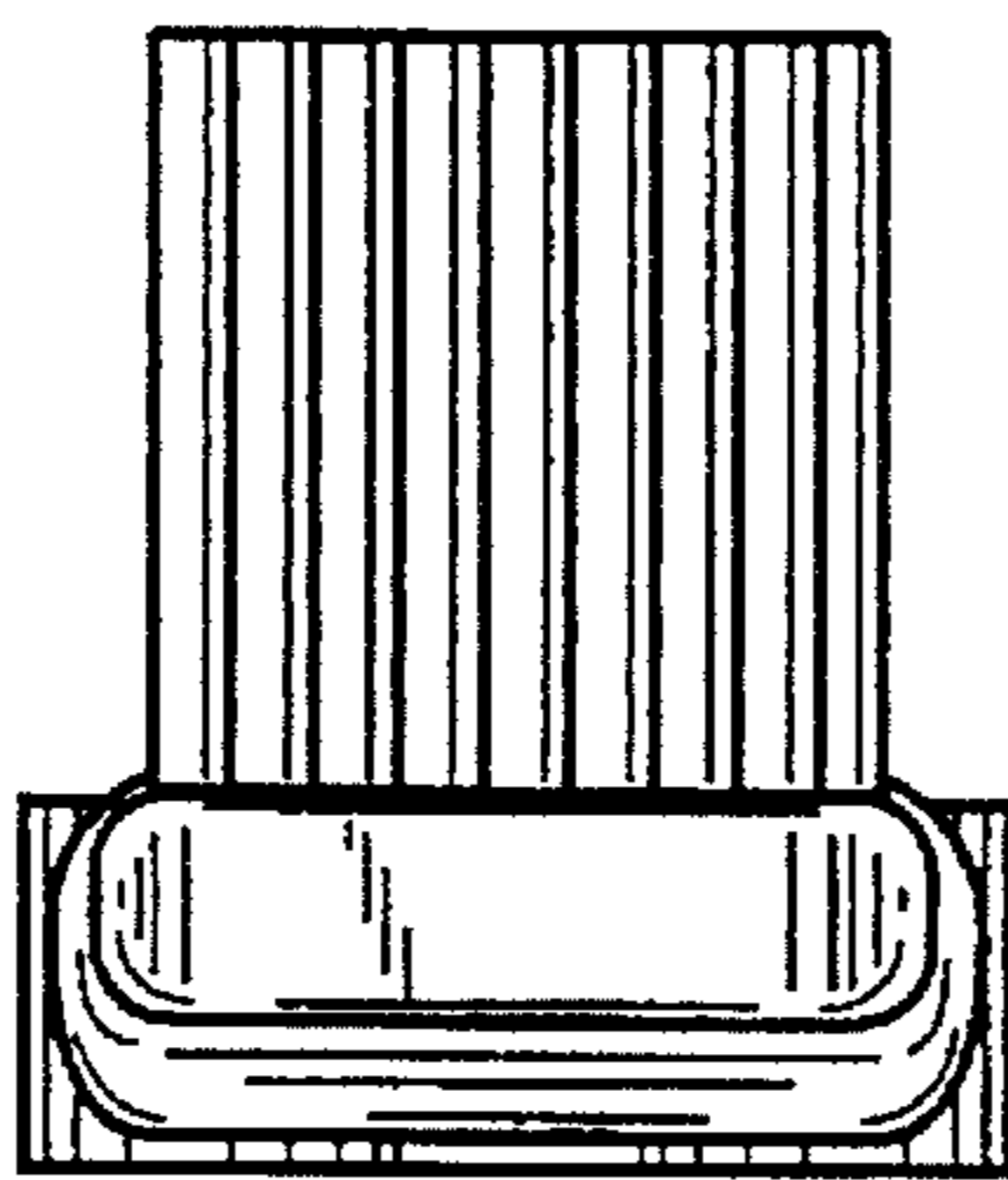


FIG. 6