



US00D376694S

United States Patent [19]

[11] Patent Number: **Des. 376,694**

Aiyar

[45] Date of Patent: ****Dec. 24, 1996**

[54] **BRUSH**

4,799,280 1/1989 Lee 15/29

[76] Inventor: **Sanjay Aiyar**, 18671 E. Woodwind La.,
Anaheim, Calif. 92807

Primary Examiner—A. Hugo Word

Assistant Examiner—Lavone D. Tabor

Attorney, Agent, or Firm—Knobbe, Martens, Olson & Bear

[**] Term: **14 Years**

[57] CLAIM

[21] Appl. No.: **46,633**

The ornamental design for a brush, as shown and described.

[22] Filed: **Oct. 18, 1995**

DESCRIPTION

[52] U.S. Cl. **D4/102; D4/12.7**

[58] Field of Search D4/100, 102, 127,
D4/130, 132, 138; D32/14.1, 17; 15/22.1,
22.2, 23–29, 143.1, 159.1, 160, 186, 187;
601/70, 72, 73, 109, 114, 136–138

FIG. 1 is a front perspective view of the brush design of the present invention illustrated attached to a cord and plug shown in phantom;

FIG. 2 is a top plan view thereof;

FIG. 3 is a right side elevational view thereof;

FIG. 4 is a bottom plan view thereof;

FIG. 5 is a left side elevational view thereof;

FIG. 6 is a rear elevational view thereof; and,

FIG. 7 is a front elevational view thereof.

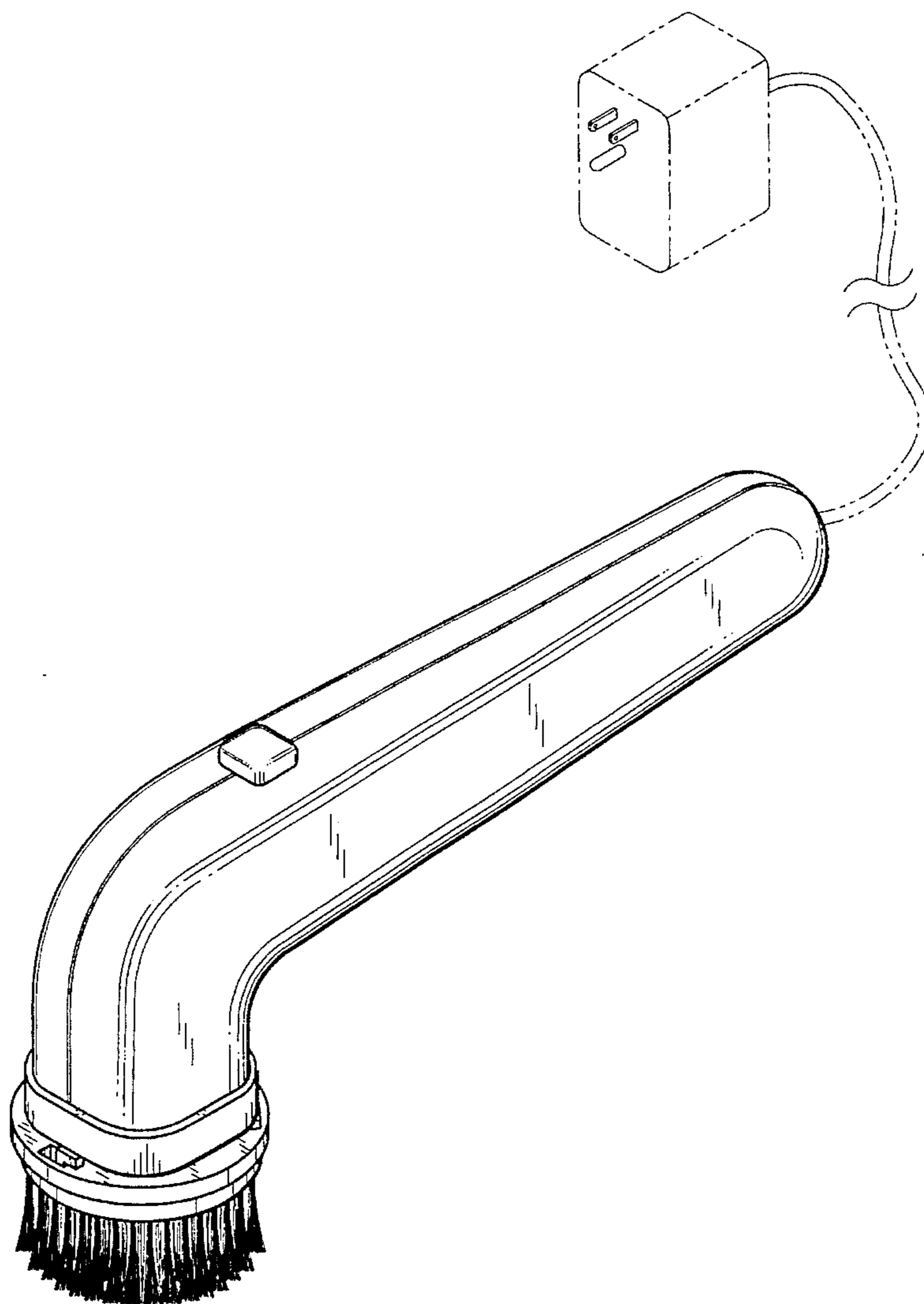
The broken lines showing a cord and plug in FIG. 1 are for illustrative purposes only and form no part of the claimed design.

[56] References Cited

U.S. PATENT DOCUMENTS

D. 281,035	10/1985	Herzfeld	D4/102
D. 352,828	11/1994	Chen	D4/102
2,778,043	1/1957	Arf	15/28
3,710,785	1/1973	Hilger	601/73
4,476,602	10/1984	Hurn et al.	15/28
4,669,452	6/1987	Osawa	601/73

1 Claim, 3 Drawing Sheets



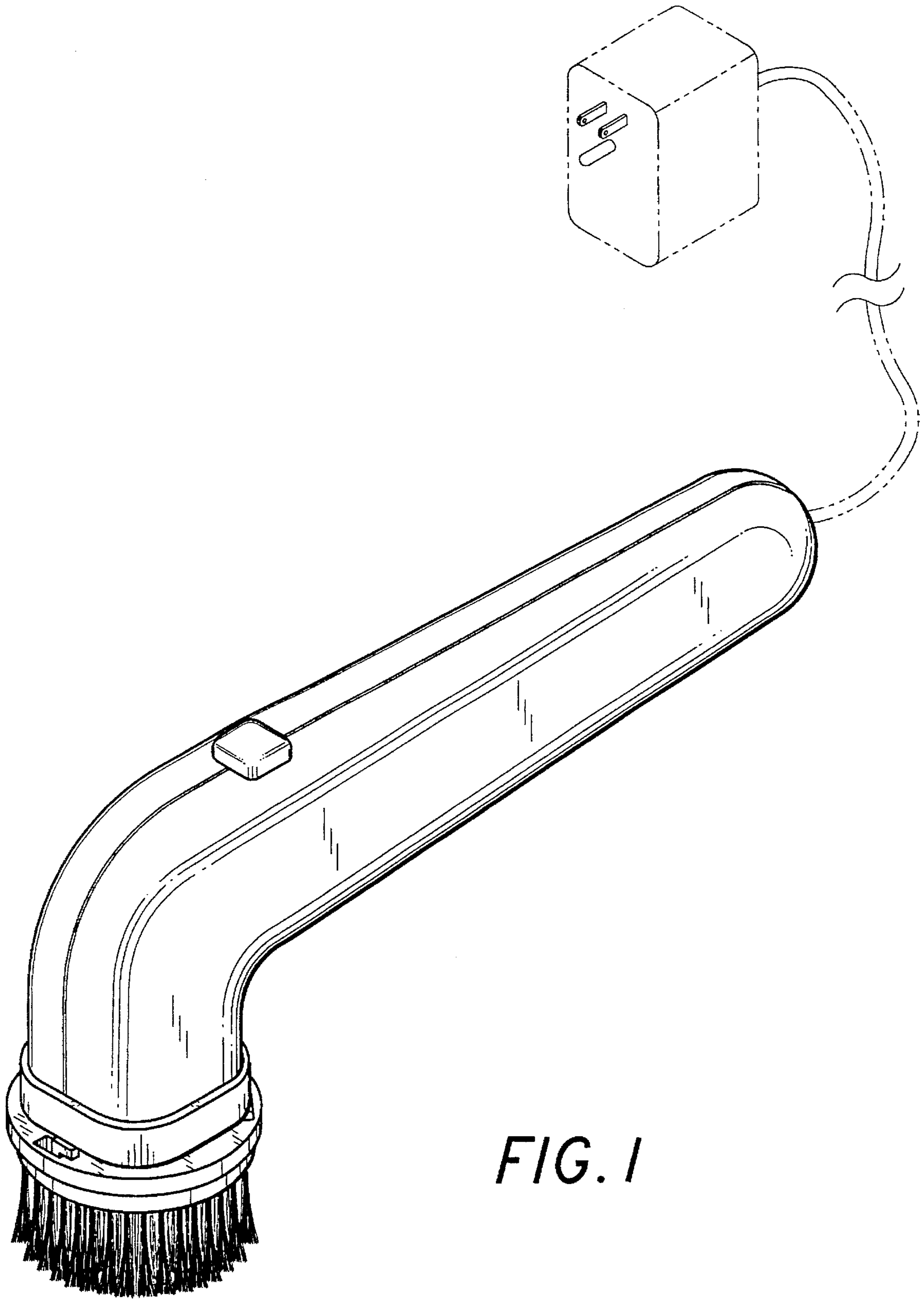


FIG. 1

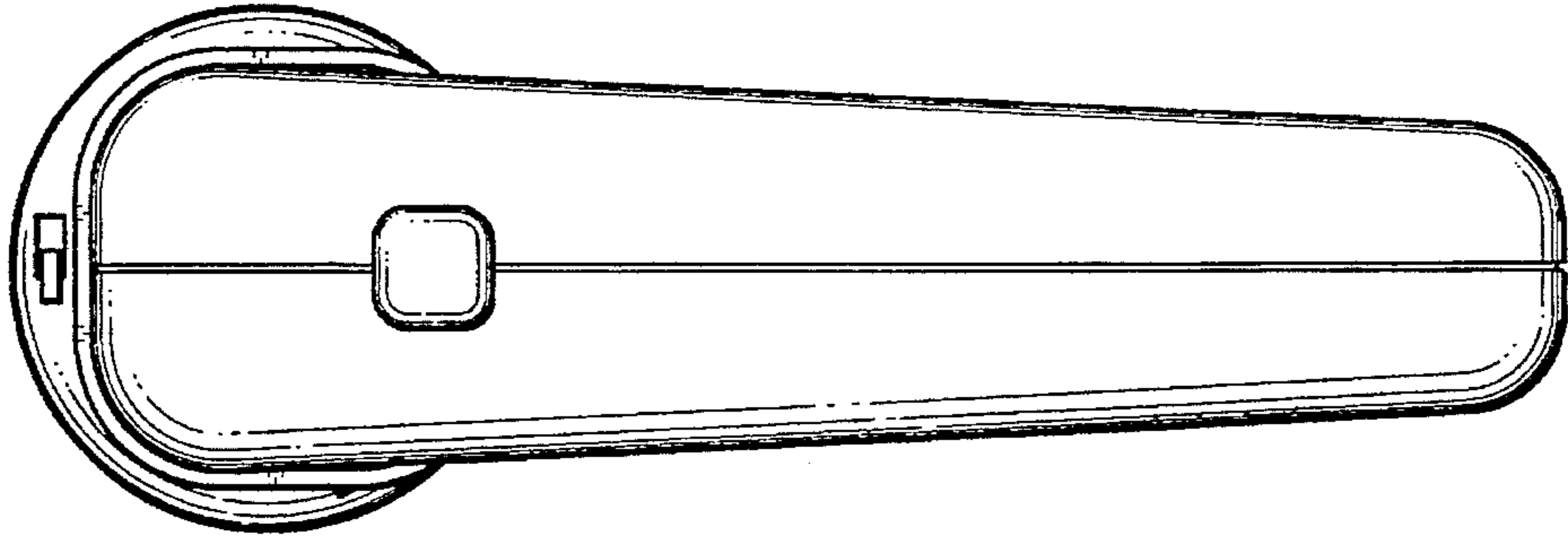


FIG. 2

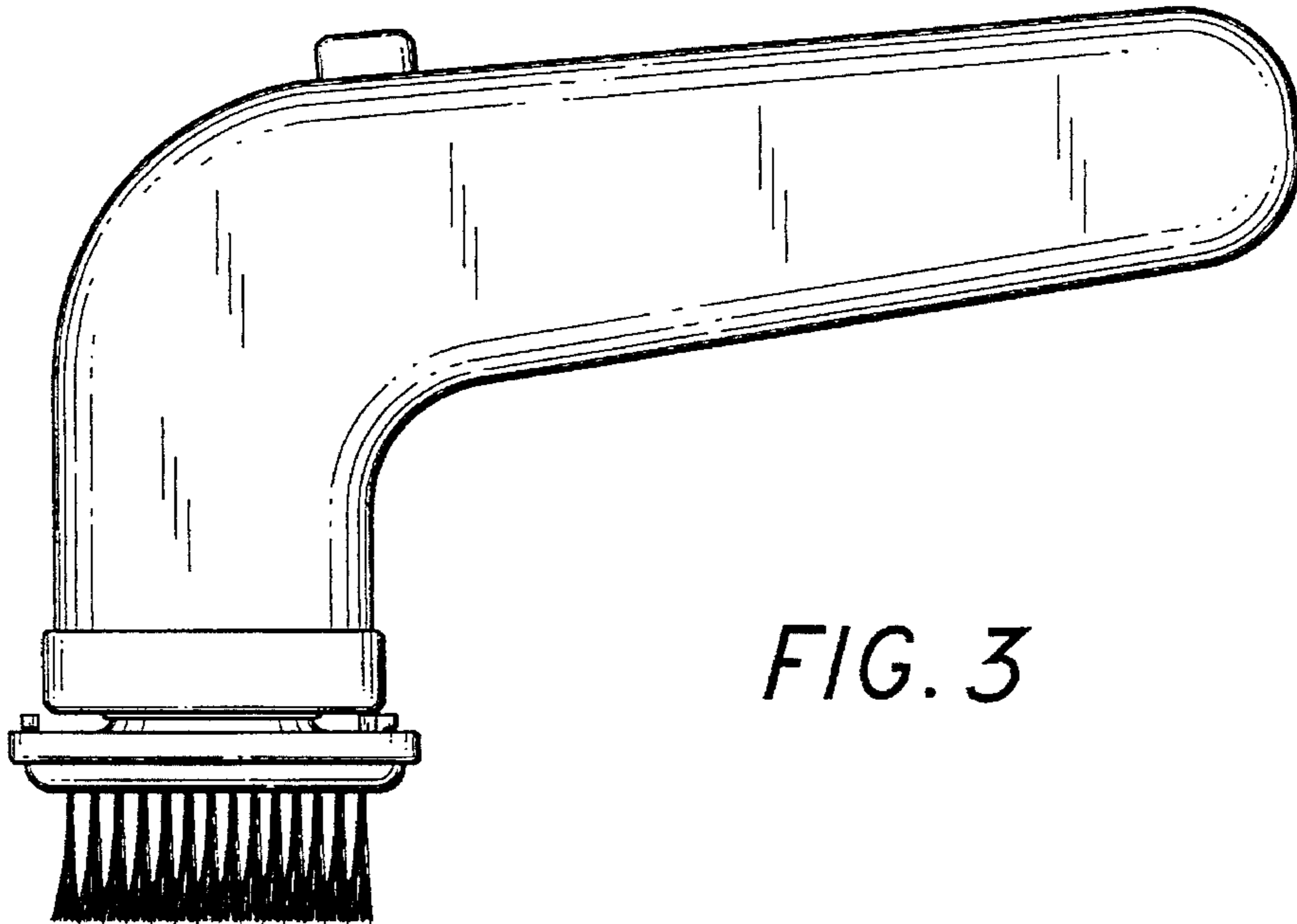


FIG. 3

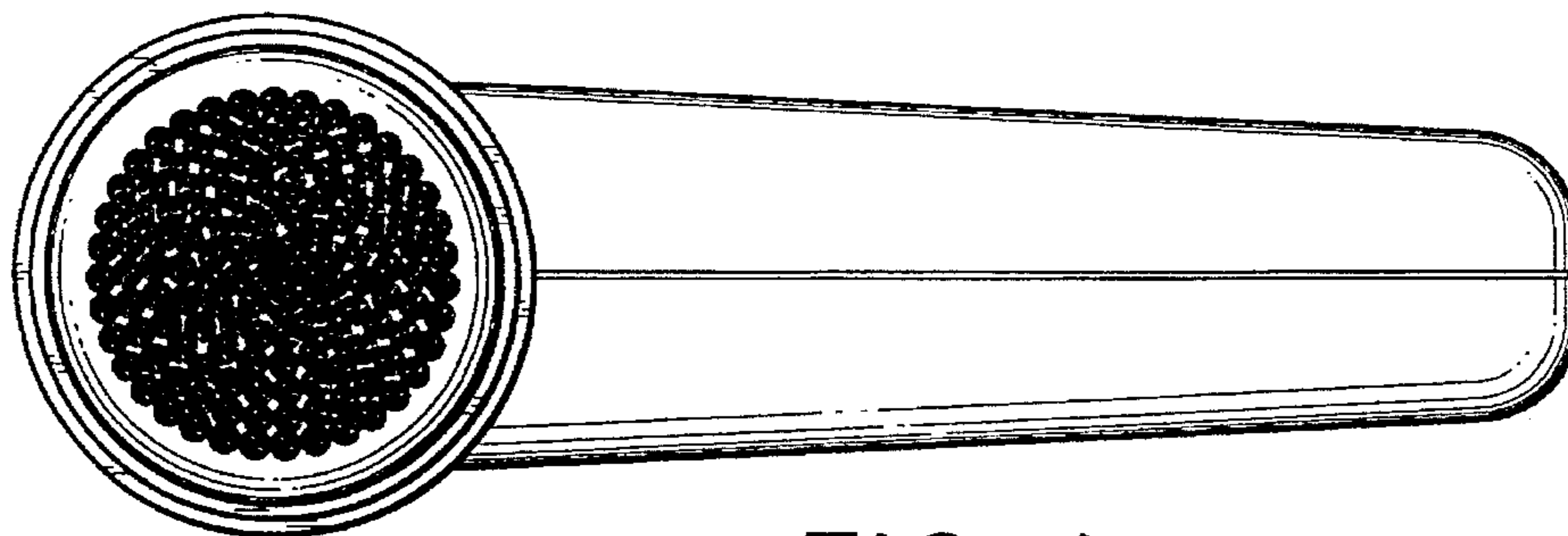


FIG. 4

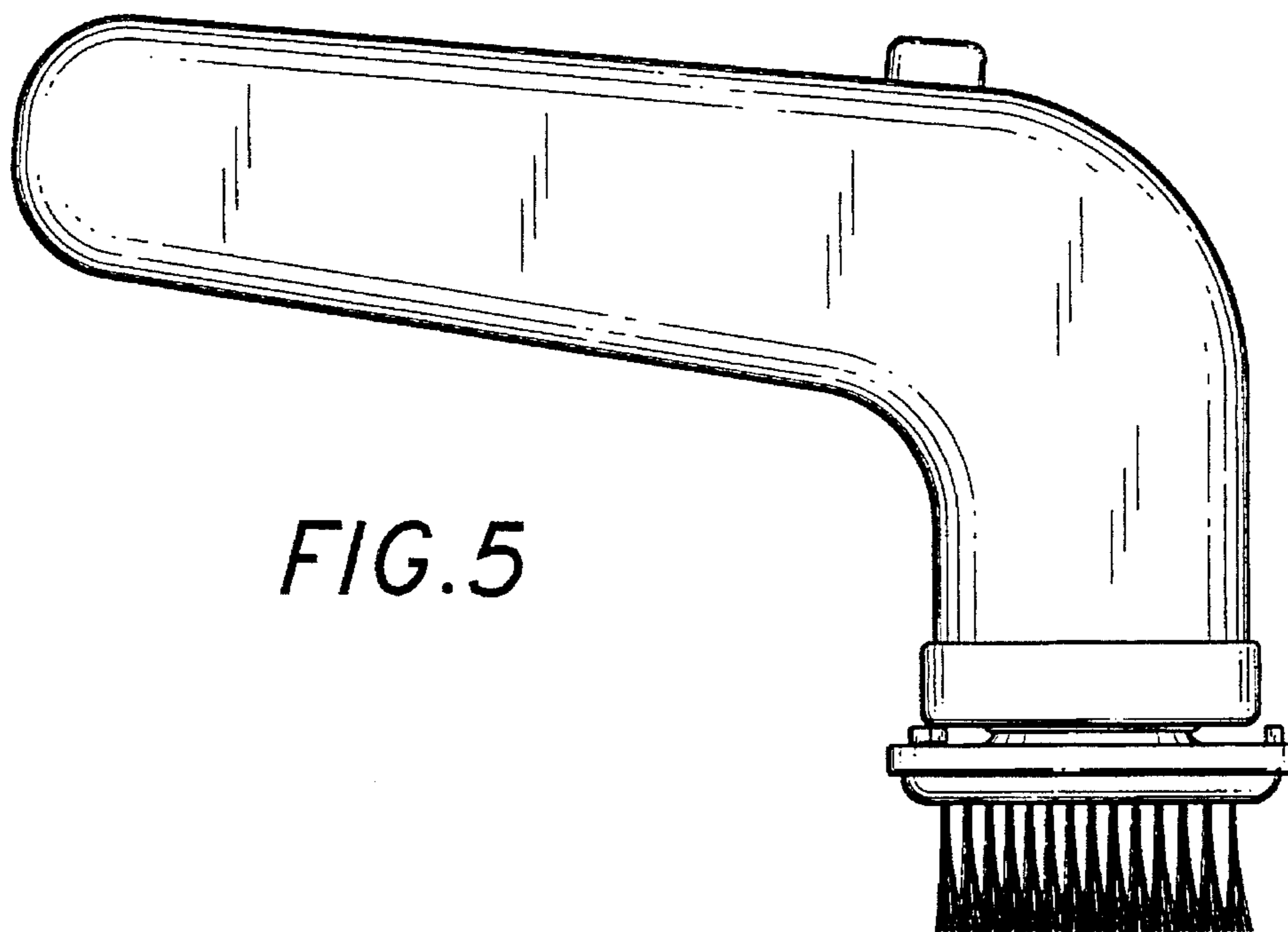


FIG. 5

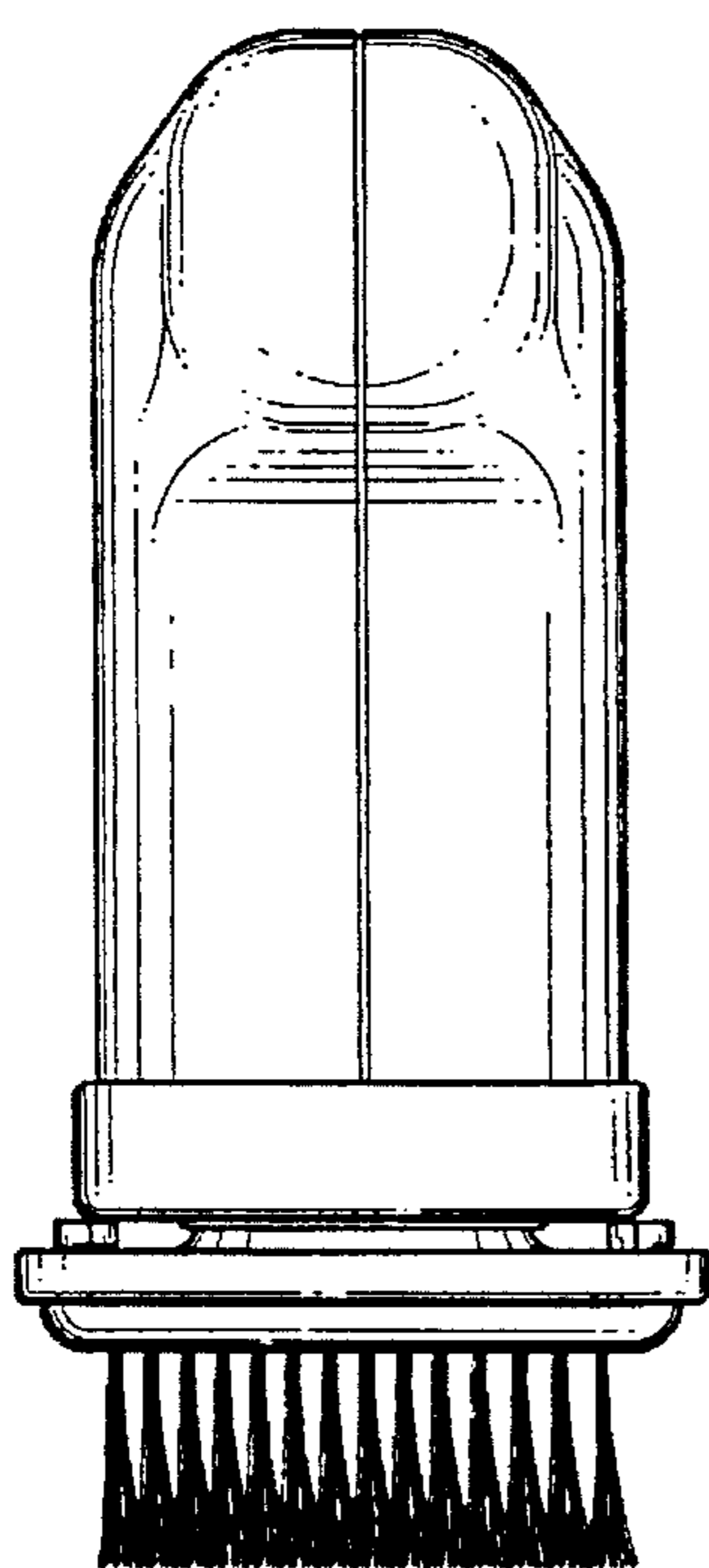


FIG. 6

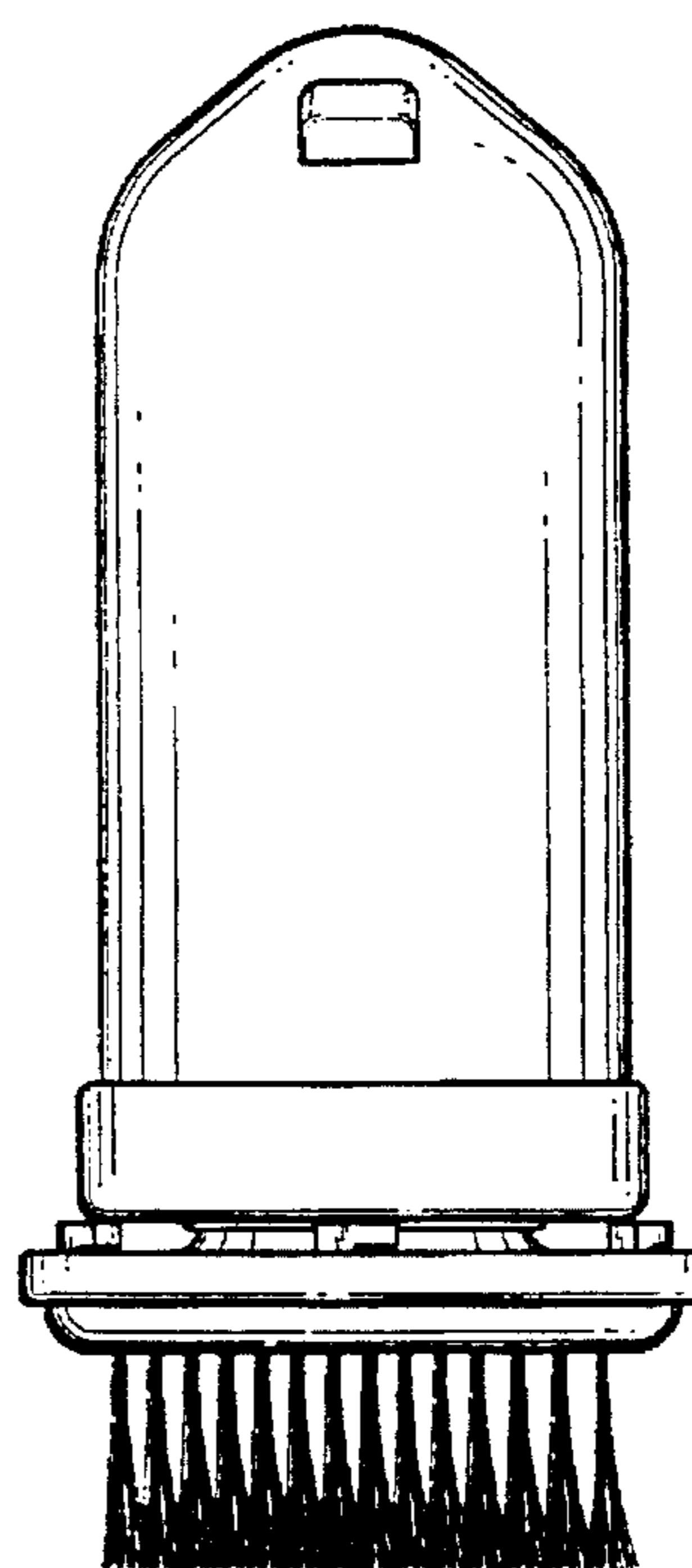


FIG. 7