



US00D376693S

United States Patent [19]

[11] Patent Number: **Des. 376,693**

Wolff

[45] Date of Patent: ****Dec. 24, 1996**

[54] **STORAGE CONTAINER LID**

[75] Inventor: **Stacy L. Wolff**, Akron, Ohio

[73] Assignee: **Rubbermaid Incorporated**, Wooster, Ohio

[**] Term: **14 Years**

[21] Appl. No.: **38,451**

[22] Filed: **May 5, 1995**

[52] U.S. Cl. **D3/323; D3/302**

[58] Field of Search D3/201, 273, 274, D3/276, 294, 302, 318, 319, 323, 326, 900, 901; D7/391, 392.1, 538; D9/420, 423, 424, 435, 456, 434; D19/78; 206/37, 349, 457; 16/112; 220/4.22, 4.23, 4.24, 213, 306, 349; 383/907

D. 355,766 2/1995 Miller D3/319
 D. 356,256 3/1995 Romanoff D9/425
 D. 358,328 5/1995 Huerto et al. D9/435
 2,246,317 6/1941 Parr 16/112 X
 3,351,227 11/1967 Collie 220/60
 3,383,009 5/1968 Weikert .
 3,419,184 12/1968 Asenbauer 220/97

(List continued on next page.)

OTHER PUBLICATIONS

Home Furnishing Daily, Mar. 7, 1988, p. 60, "Store 'N Serve Rectangular Container", upper rt. corner of page.

(List continued on next page.)

Primary Examiner—Louis S. Zarfaz
Assistant Examiner—Monica A. Hannon
Attorney, Agent, or Firm—Richard B. O'Planick; Lisa B. Riedesel

[56] References Cited

U.S. PATENT DOCUMENTS

D. 168,205 11/1952 Baustian et al. D87/5
 D. 238,051 12/1975 Fier D9/240
 D. 238,148 12/1975 Dilot D9/219
 D. 246,828 1/1978 White D9/267
 D. 249,930 10/1978 Seager D9/219
 D. 250,505 12/1978 Seager D7/392.1
 D. 258,723 3/1981 Cornou D7/76
 D. 285,413 9/1986 Carlson D9/337
 D. 286,937 11/1986 Schafer D34/43
 D. 302,774 8/1989 Murphy D7/76
 D. 308,340 6/1990 Ilsen D9/425
 D. 316,674 5/1991 Poirier D9/424
 D. 319,016 8/1991 Kahl D9/424
 D. 321,091 10/1991 Dickinson D3/78
 D. 321,325 11/1991 Petrus D9/435
 D. 328,425 8/1992 Brightbill D9/425
 D. 329,747 9/1992 Embree D3/78
 D. 330,161 10/1992 Schuh D9/423
 D. 330,329 10/1992 Brightbill D9/424
 D. 334,662 4/1993 Van Berne D3/70
 D. 339,471 9/1993 Maple et al. D3/78
 D. 342,609 12/1993 Brightbill D3/78
 D. 347,324 5/1994 Dickinson D3/272
 D. 348,394 7/1994 Dreyer D9/425
 D. 349,646 8/1994 Dickinson D9/423
 D. 355,118 2/1995 Dickinson et al. D9/425

[57] CLAIM

The ornamental design for a storage container lid, as shown and described.

DESCRIPTION

FIG. 1 is a top right front perspective view of a storage container lid showing my new design. The broken lines are for illustrative purposes only and form no part of the claimed design;

FIG. 2 is a top plan view thereof;

FIG. 3 is a front elevational view thereof; the rear elevational view being a mirror image;

FIG. 4 is a right side elevational view thereof; the left side elevational view being a mirror image;

FIG. 5 is a bottom plan view thereof;

FIG. 6 is a top right front perspective view of the storage container lid shown with the environmental structure removed;

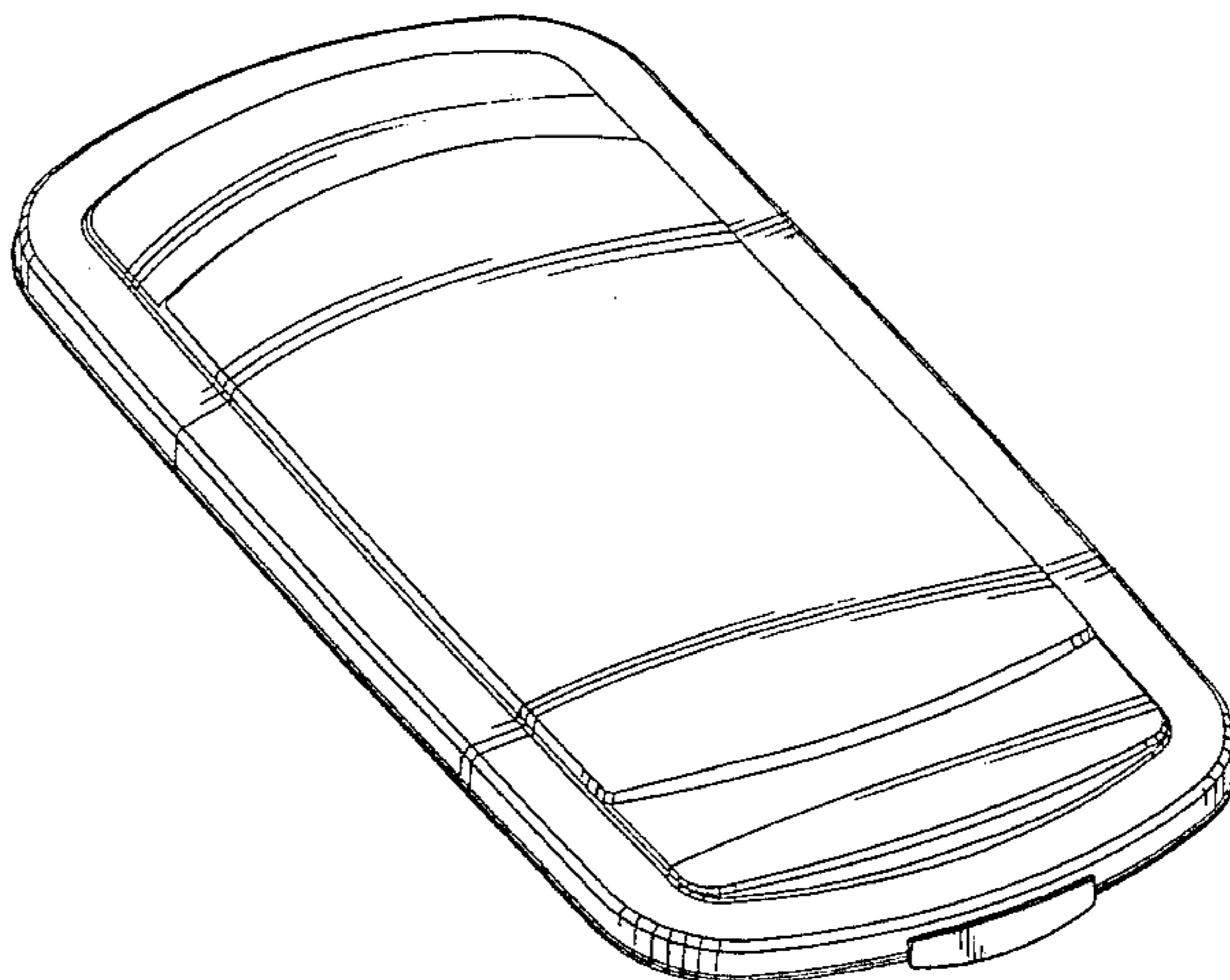
FIG. 7 is a top plan view thereof;

FIG. 8 is a right side elevational view thereof, the left side elevational view being a mirror image;

FIG. 9 is an end view thereof; and,

FIG. 10 is a bottom plan view thereof.

1 Claim, 4 Drawing Sheets



U.S. PATENT DOCUMENTS

3,741,433	6/1973	Bentley et al.	220/55.7
3,938,688	2/1976	Ryan	220/23.8
3,987,829	10/1976	Leone	150/0.5
4,523,692	6/1985	Lemkin	220/306
4,982,863	1/1991	Skillius	220/318
5,011,013	4/1991	Meisner et al.	206/373
5,366,104	11/1994	Armstrong	220/339

OTHER PUBLICATIONS

Label, Storage container; Contico Manufacturing Co., A Division of Contico International, 1101 Warson Road, St. Louis, Missouri 63132. Published at least as early as May, 1993.

Catalog page, Boxes; Frem Corporation, 60 Webster Place, P. O. Box 97, Worcester, Massachusetts 01603. Published at least as early as 1993.

Catalog page, Boxes; Sterilite Corporation, P. O. Box 524, Main Street, Townsend, Massachusetts. Publication date 1991.

Catalog page, Tote bins; Sterilite Corporation, P. O. Box 524, Main Street, Townsend, Massachusetts. Publication date 1990.

Catalog page, Boxes; Sterilite Corporation, P. O. Box 524, Main Street, Townsend, Massachusetts. Published at least as early as Jan., 1990.

Label, Container; Igloo Products Corp., 1001 West Belt Drive, P. O. Box 19322, Houston, Texas 77224-0932. Publication date 1993.

Assembly Instructions, Storage container; Delta Inc. of Arkansas, 4800 Kruger Drive, Jonesboro, Arkansas 72401. Publication date Oct., 1988.

P. 27, Dock boxes; Follansbee Dock System, State Street, P. O. Box 610, Follansbee, West Virginia 26037. Published at least as early as Jul., 1990.

Sell sheet, Storage container; The Coleman Company, 250 North St. Francis, Wichita, Kansas 67202. Published at least as early as 1992.

Sell sheet, Tote Containers; Tucker Housewares, Subsidiary of Kidde, Inc., 25 Tucker Drive, Leominster, Massachusetts 01453. Published at least as early as 1991.

Catalog page, Storage containers; Rubbermaid Incorporated, 1147 Akron Road, Wooster, Ohio 44691. Publication date 1994.

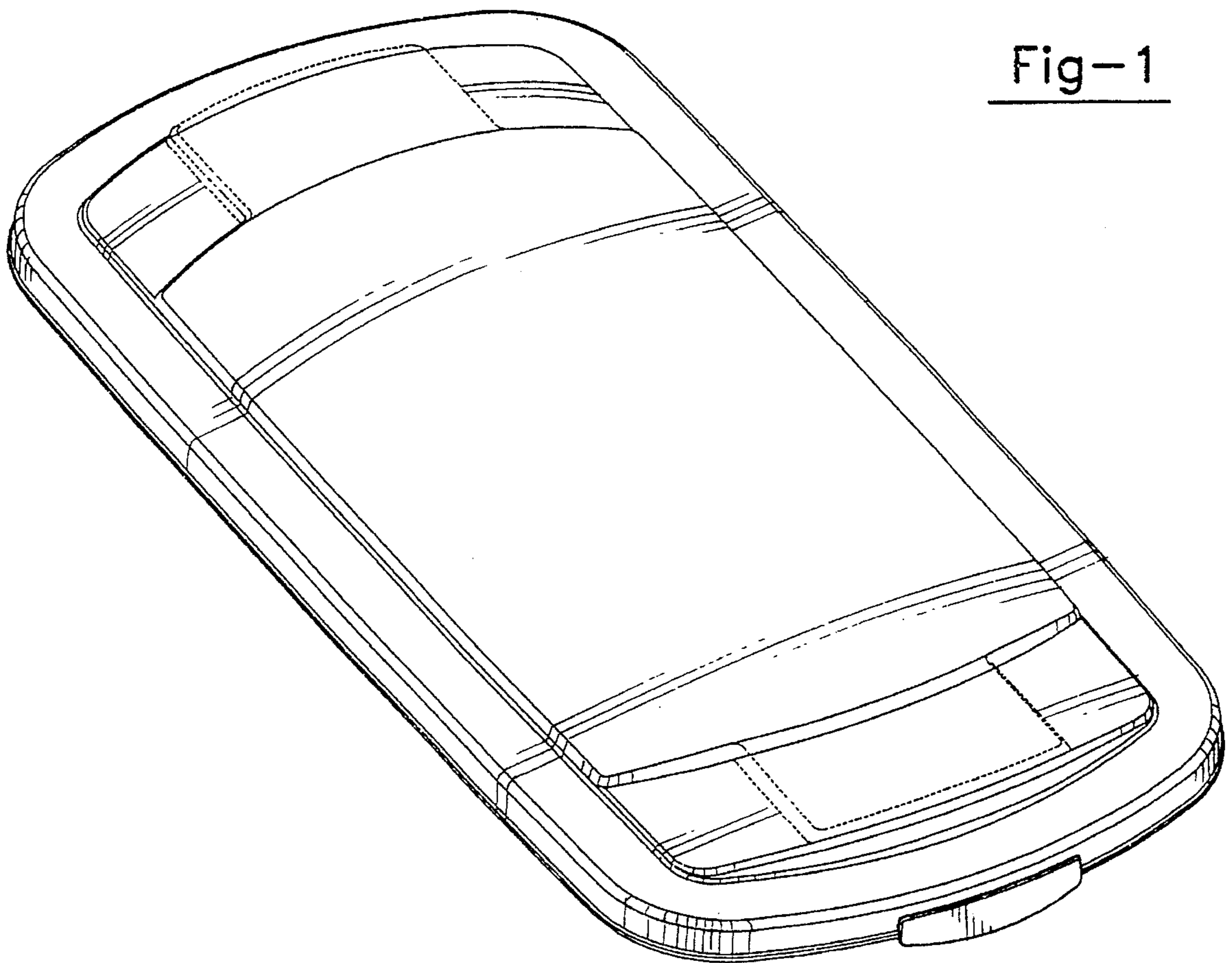


Fig-1

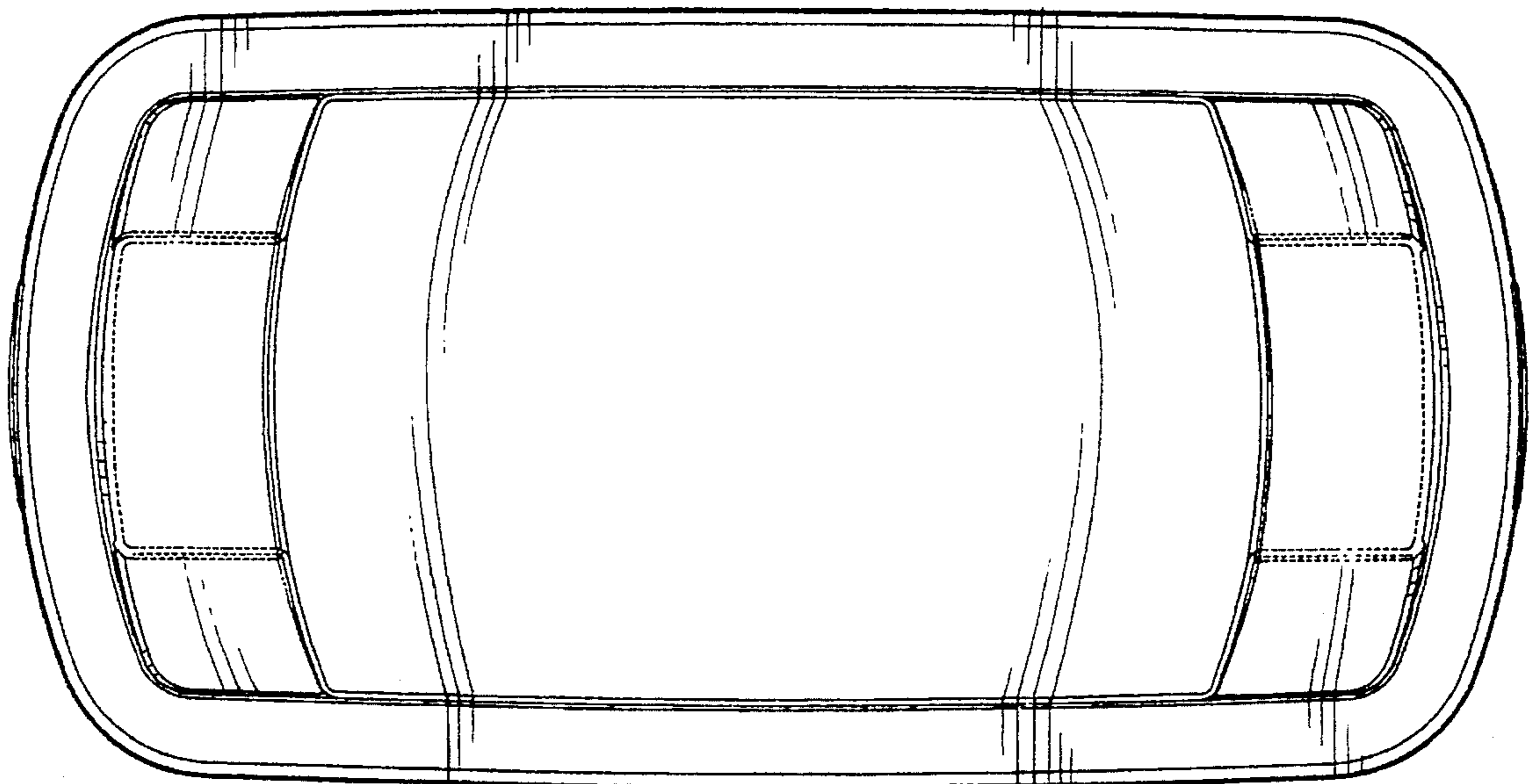


Fig-2

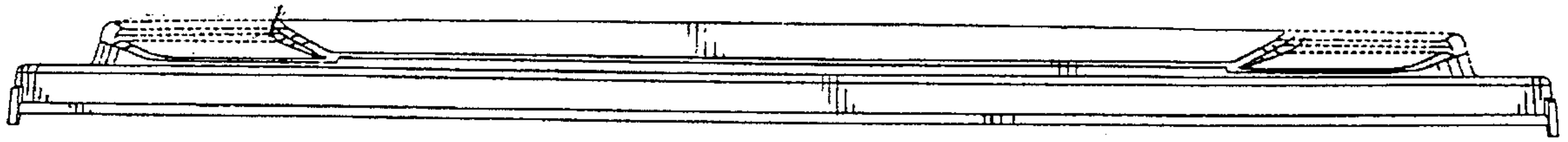


Fig-3



Fig-4

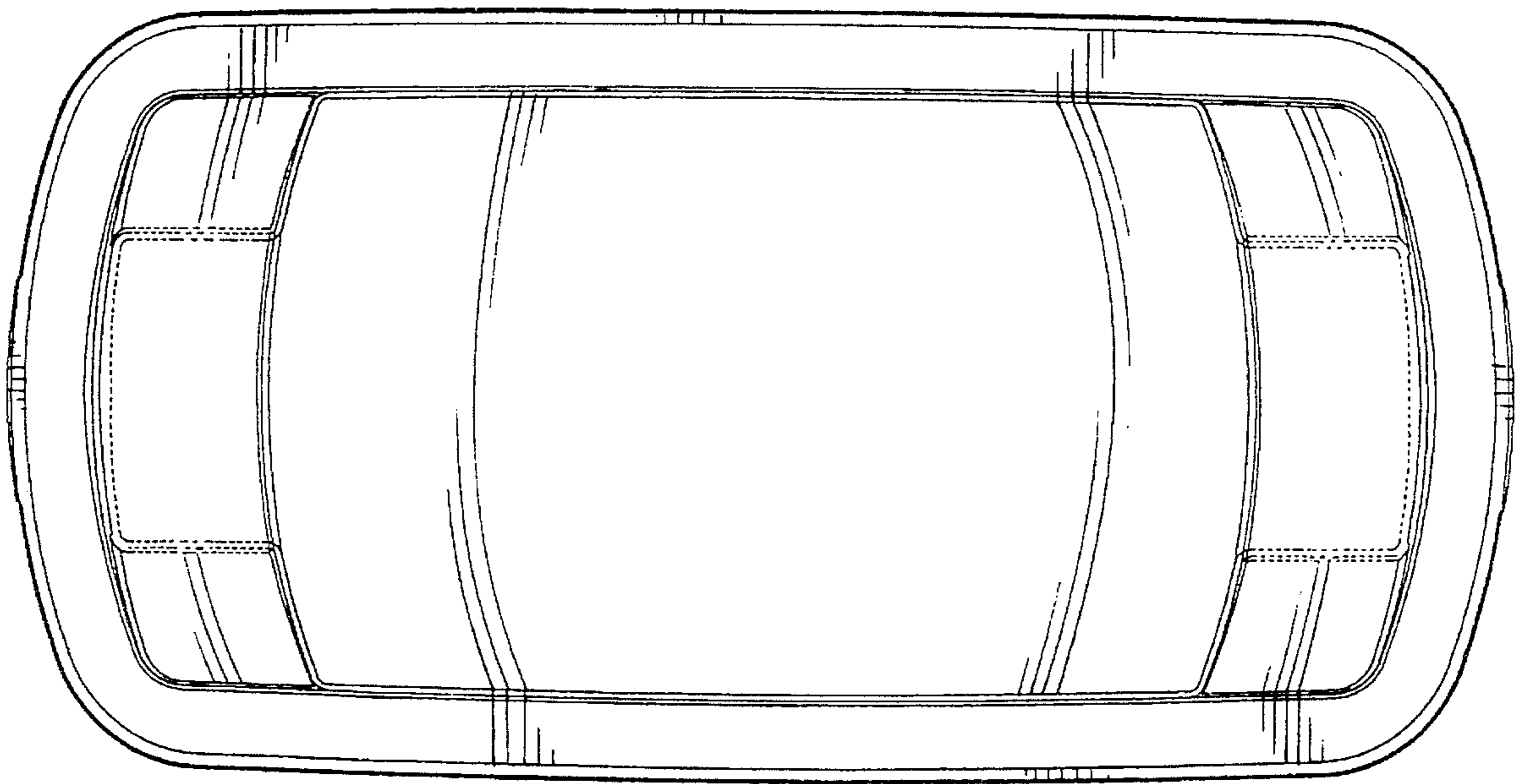


Fig-5

Fig-6

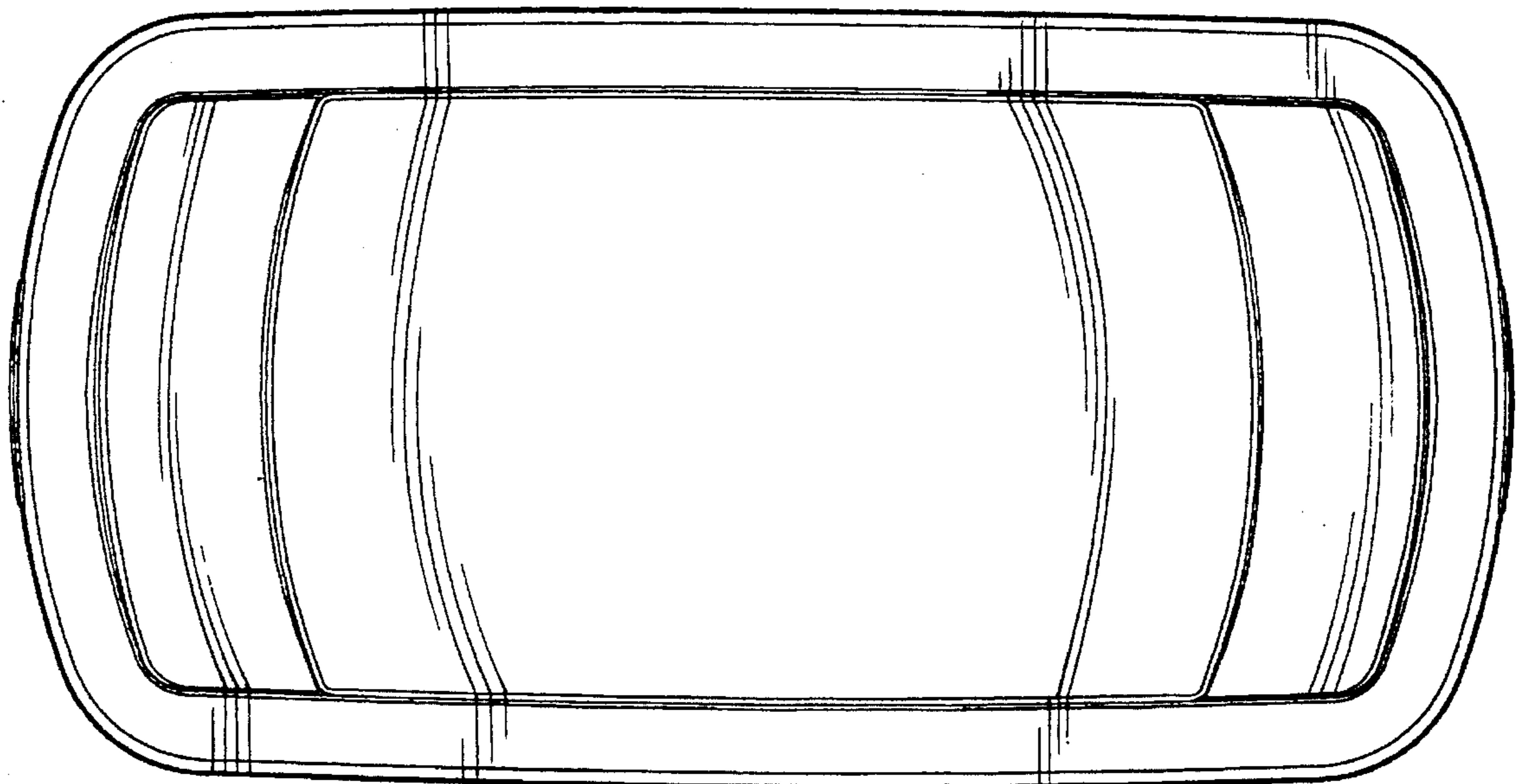
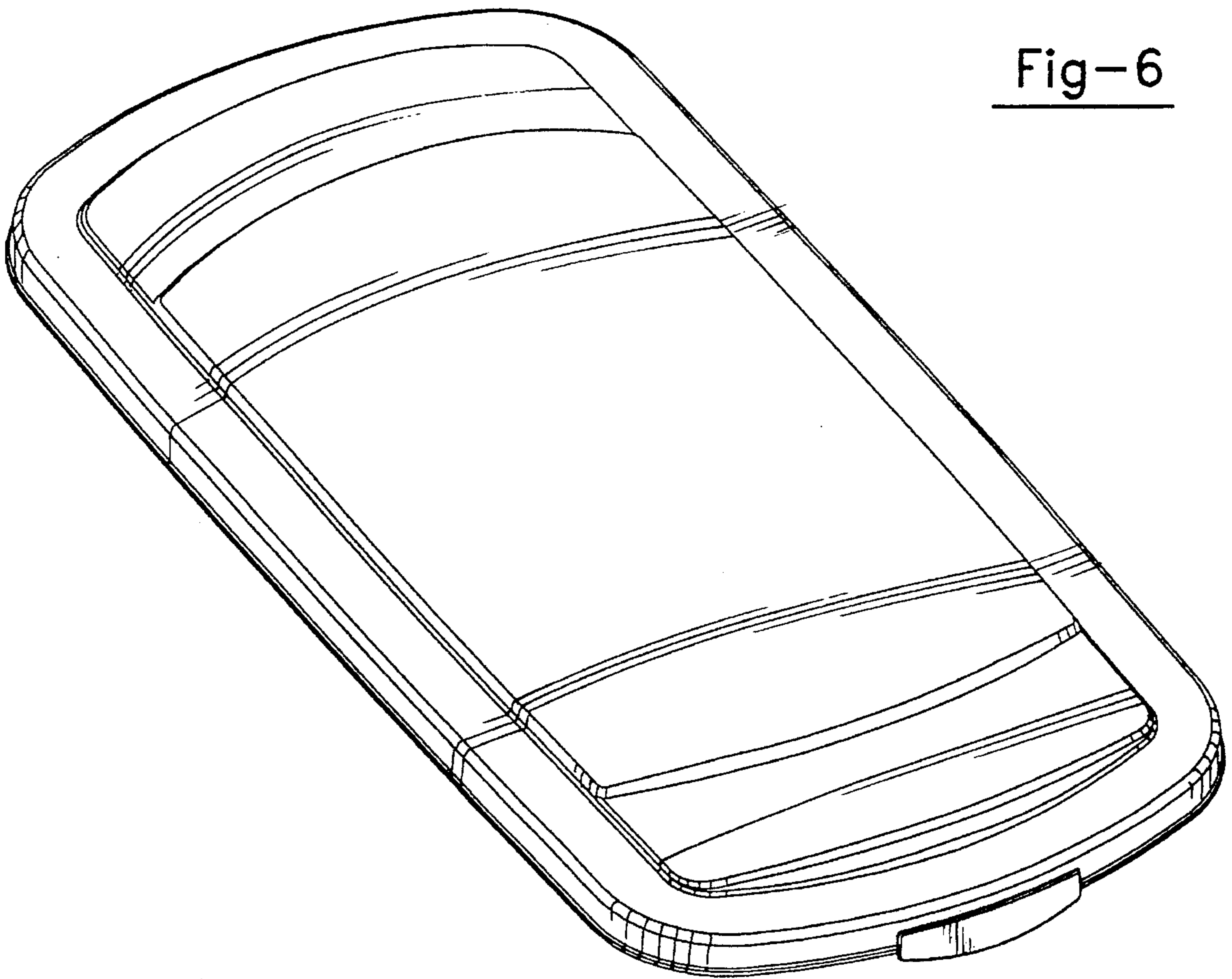


Fig-7

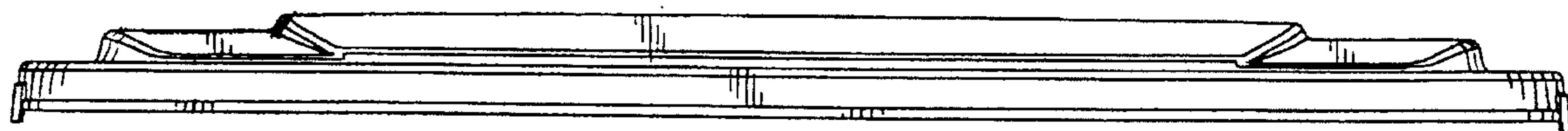


Fig-8

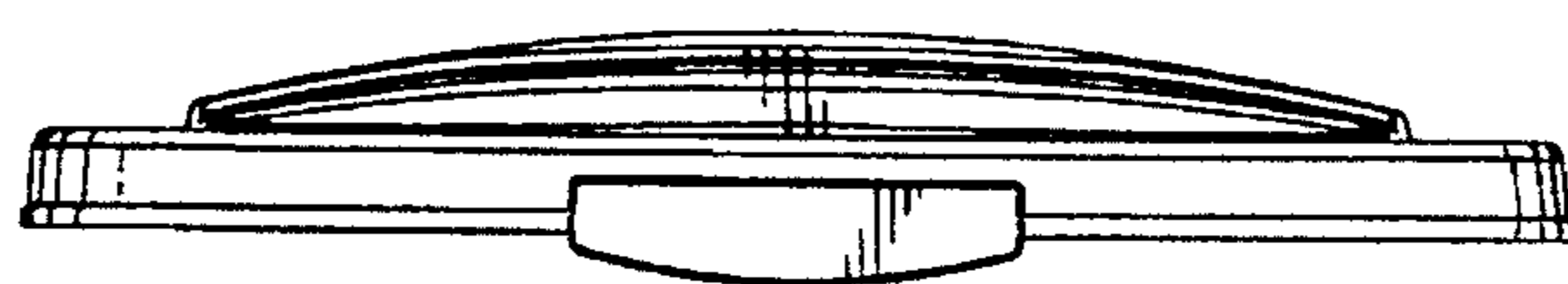


Fig-9

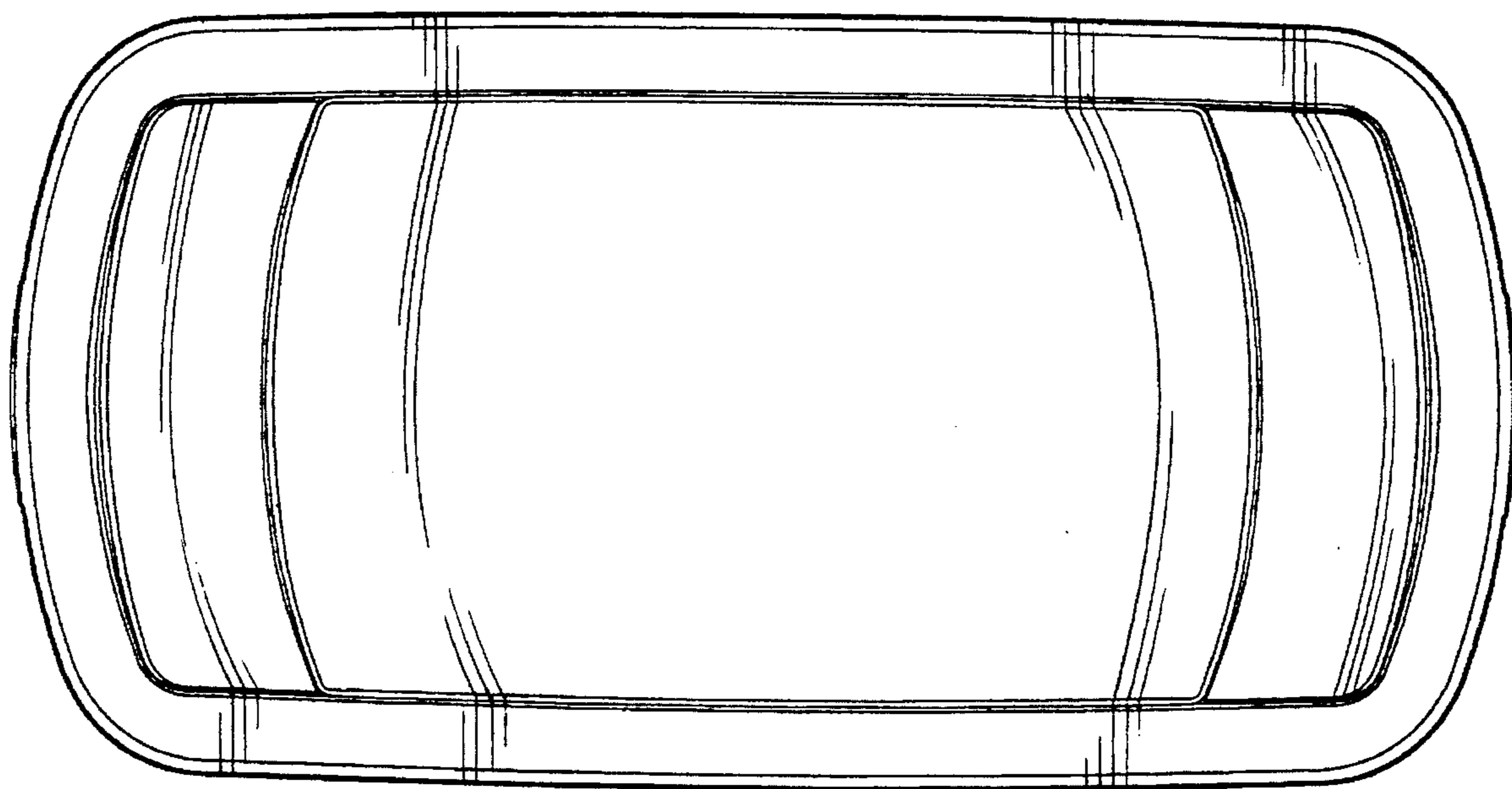


Fig-10