



US00D376692S

United States Patent [19]

Hartman

[11] Patent Number: Des. 376,692

[45] Date of Patent: **Dec. 24, 1996

[54] LOG CARRIER

[76] Inventor: **Larry E. Hartman**, 15520 98th Avenue
#204, Edmonton, Alberta, Canada,
T5P-0G6

[**] Term: 14 Years

[21] Appl. No.: 41,372

[22] Filed: Jul. 12, 1995

[52] U.S. Cl. D3/315; D34/28

[58] Field of Search D3/299, 315, 327;
D8/14; D34/28; 294/153, 156, 137, 152,
74; D21/191, 198; D6/608; D7/545, 554

[56] **References Cited**

U.S. PATENT DOCUMENTS

D. 255,282	6/1980	Leavitt	D3/315
D. 267,442	1/1983	Anderson	D3/315
D. 272,202	1/1984	Ring	D3/315
D. 314,084	1/1991	Azadmard	D3/315
D. 362,327	9/1995	Nelson	D34/28

3,119,160	1/1964	Hoppeler	24/16
4,186,956	2/1980	Flynn	294/16
4,469,363	9/1984	Kalla	294/154

Primary Examiner—Philip S. Hyder

[57] **CLAIM**

The ornamental design for a log carrier, as shown and described.

DESCRIPTION

FIG. 1 is a perspective view of the log carrier showing my new design;
 FIG. 2 is a left end elevational view thereof, the right end elevational view being a mirror image of the view shown in this Figure;
 FIG. 3 is a front elevational view thereof, the rear elevational view being a mirror image of the view shown in the Figure; and,
 FIG. 4 is a top plan view thereof, the bottom plan view being a mirror image of the view shown in this Figure.

1 Claim, 2 Drawing Sheets

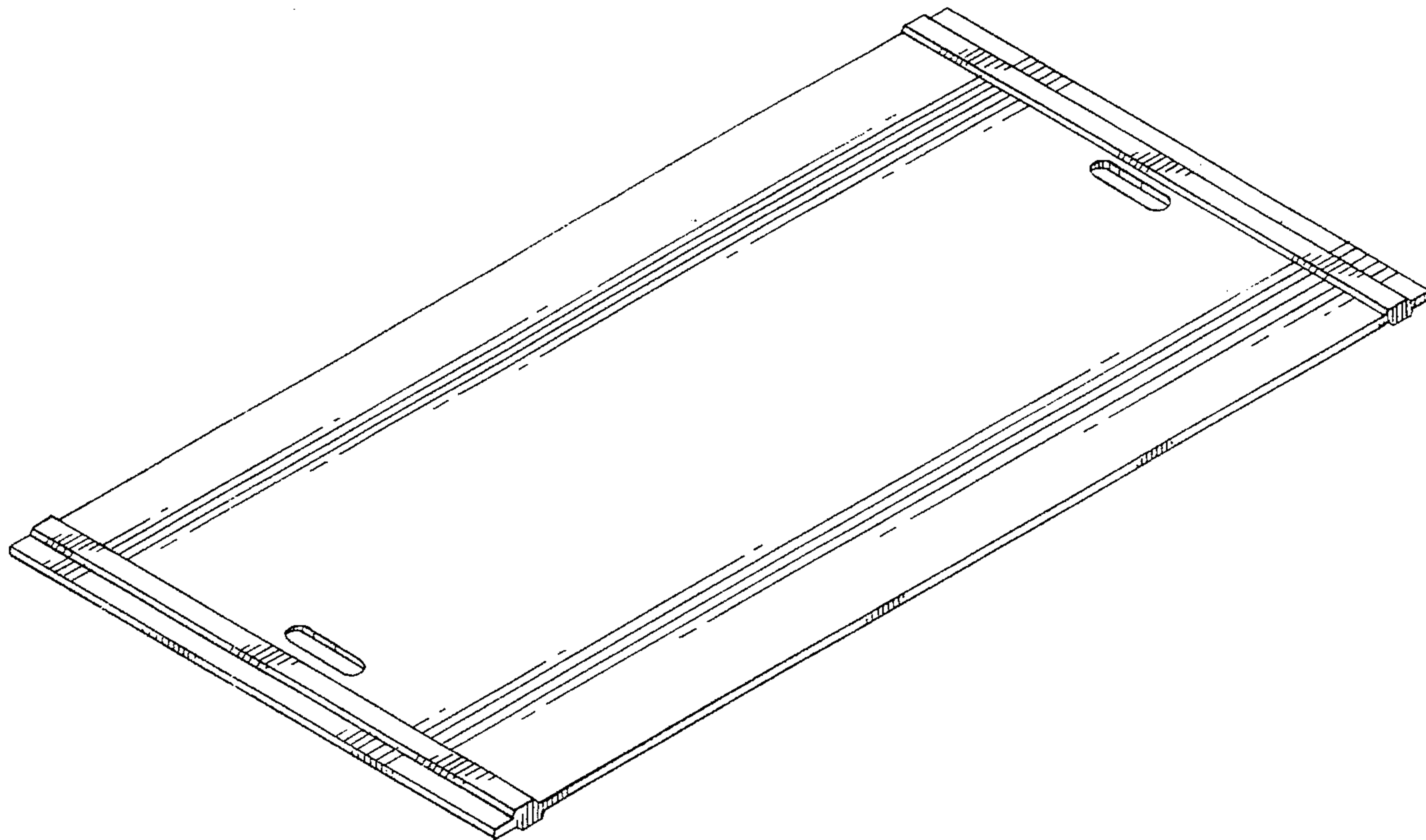


FIG. 1

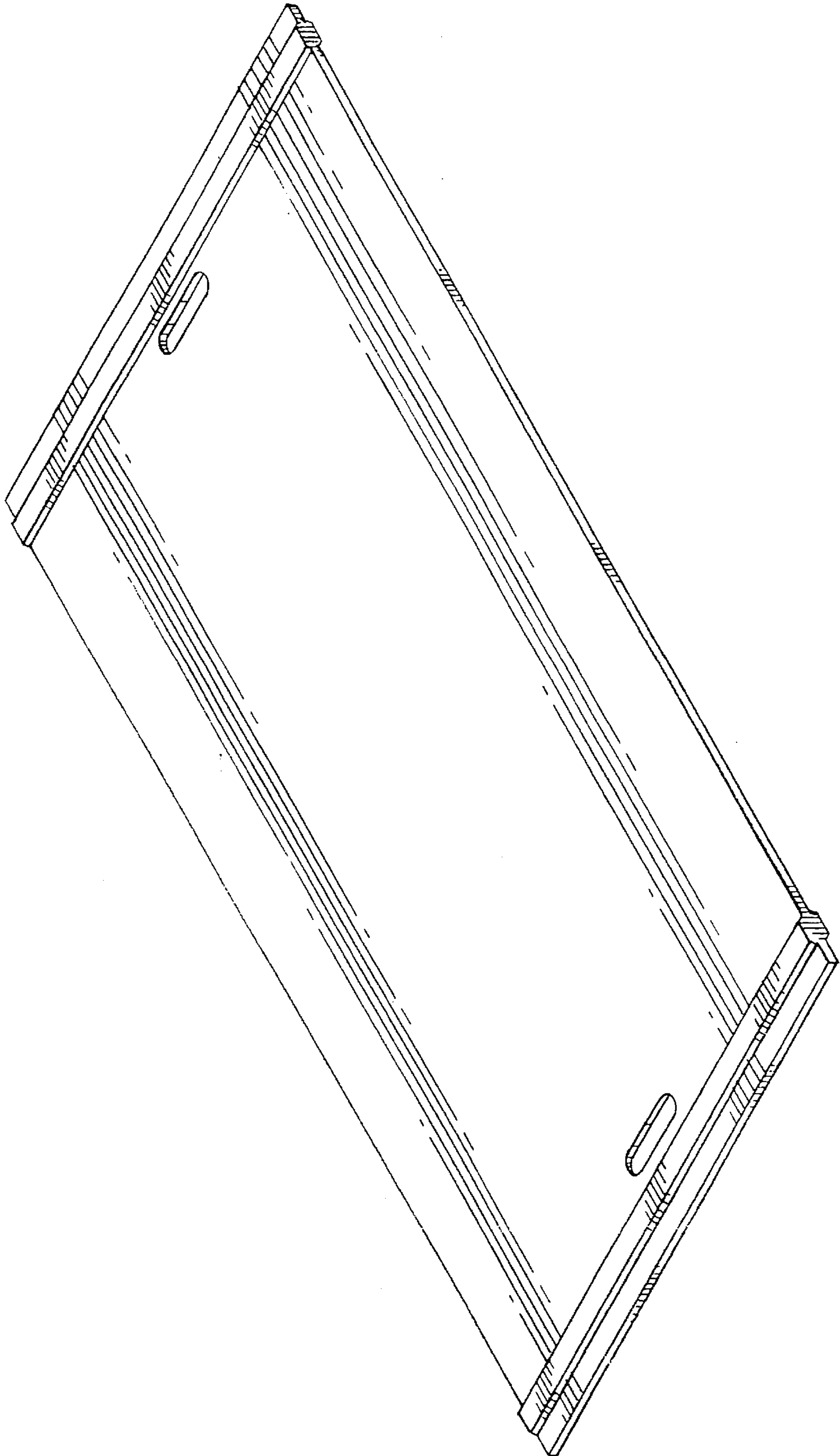


FIG. 2



FIG. 3

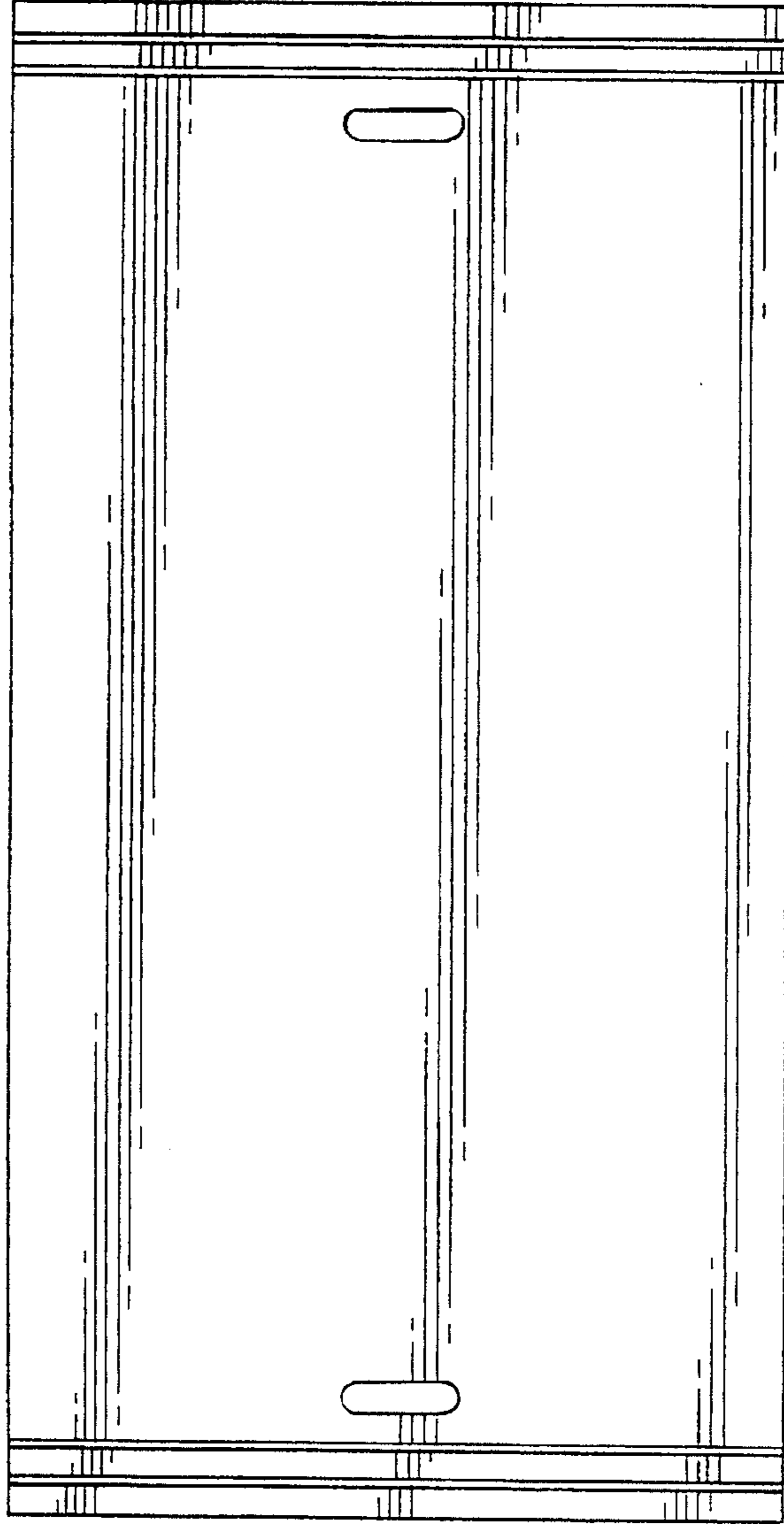


FIG. 4