



US00D376691S

United States Patent [19]

Naas et al.

[11] Patent Number: **Des. 376,691**

[45] Date of Patent: ****Dec. 24, 1996**

[54] **PORTABLE SECURITY CASE**

[75] Inventors: **Robert L. Naas**, Skaneateles; **Mark A. Ferguson**, Jamesville, both of N.Y.

[73] Assignee: **John D. Brush & Co., Inc.**, Rochester, N.Y.

[**] Term: **14 Years**

[21] Appl. No.: **35,857**

[22] Filed: **Mar. 8, 1995**

[52] U.S. Cl. **D3/294; D99/28; D3/274**

[58] Field of Search **D99/28; D3/294, D3/274; 70/30, 63; 109/1 R, 45; 206/444, 425**

[56] **References Cited**

U.S. PATENT DOCUMENTS

D. 272,292	1/1984	Campbell	D99/28
2,512,028	6/1950	MacMillan	70/63
3,204,436	9/1965	Nemsky	70/63
3,867,823	2/1975	Waltower	70/63
3,988,909	11/1976	Catapano	70/63
4,474,116	10/1984	Castenada, Jr. et al.	70/63
4,573,332	3/1986	Ma	70/63

4,667,491	5/1987	Lokken et al.	70/63
4,972,690	11/1990	O'Sullivan	70/63
4,987,836	1/1991	Owen	70/63
5,009,088	4/1991	Cislo	70/63

Primary Examiner—Philip S. Hyder
Attorney, Agent, or Firm—Eugene Stephens & Associates

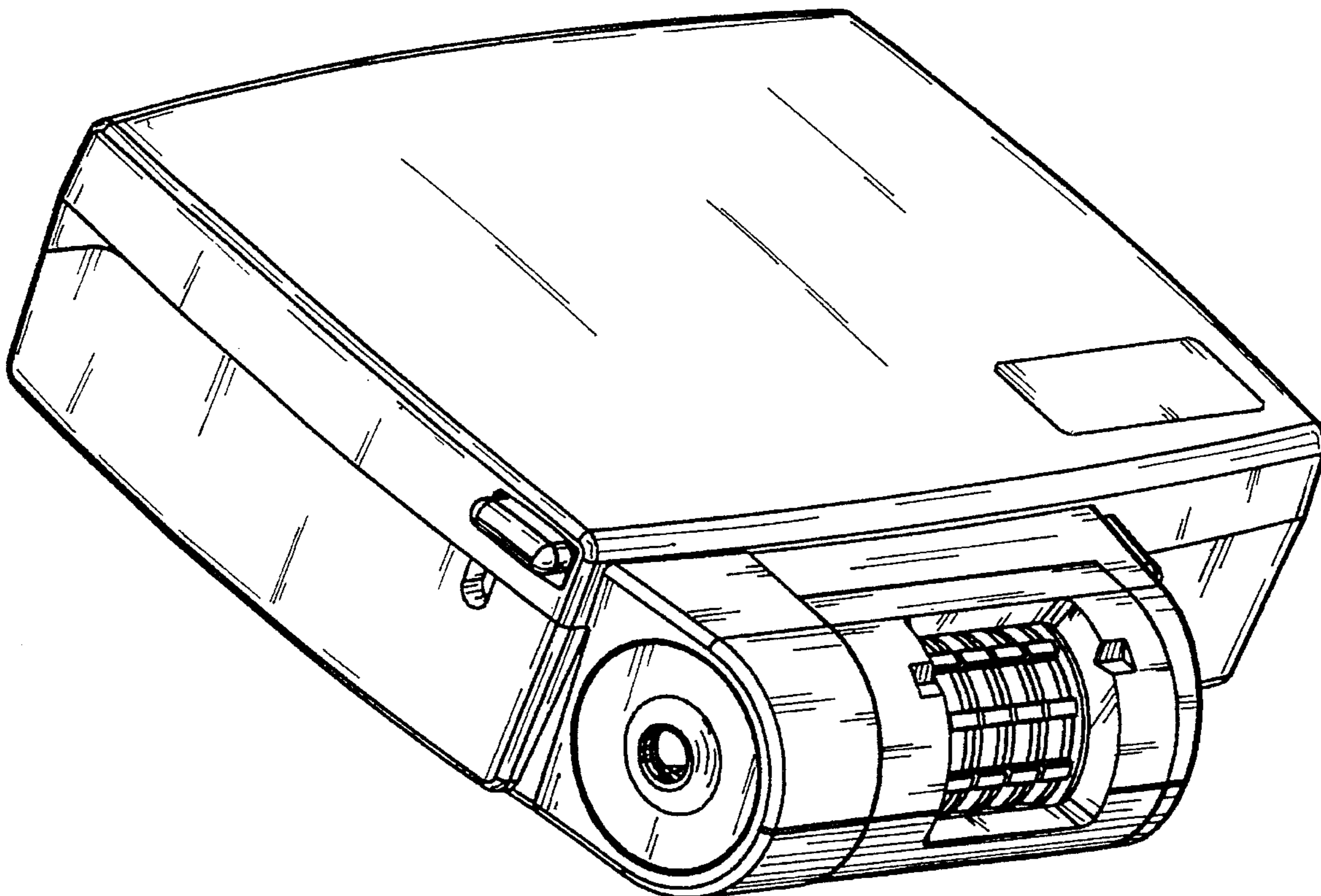
[57] **CLAIM**

The ornamental design for a portable security case, as shown and described.

DESCRIPTION

FIG. 1 is an isometric oblique left frontal view;
FIG. 2 is an isometric oblique right frontal view;
FIG. 3 is a top view;
FIG. 4 is a front elevational view;
FIG. 5 is a bottom view;
FIG. 6 is a left side elevational view;
FIG. 7 is a right side elevational view;
FIG. 8 is a rear elevational view;
FIG. 9 is an isometric oblique left frontal view with the case opened; and,
FIG. 10 is an isometric oblique right frontal view with the case opened.

1 Claim, 10 Drawing Sheets



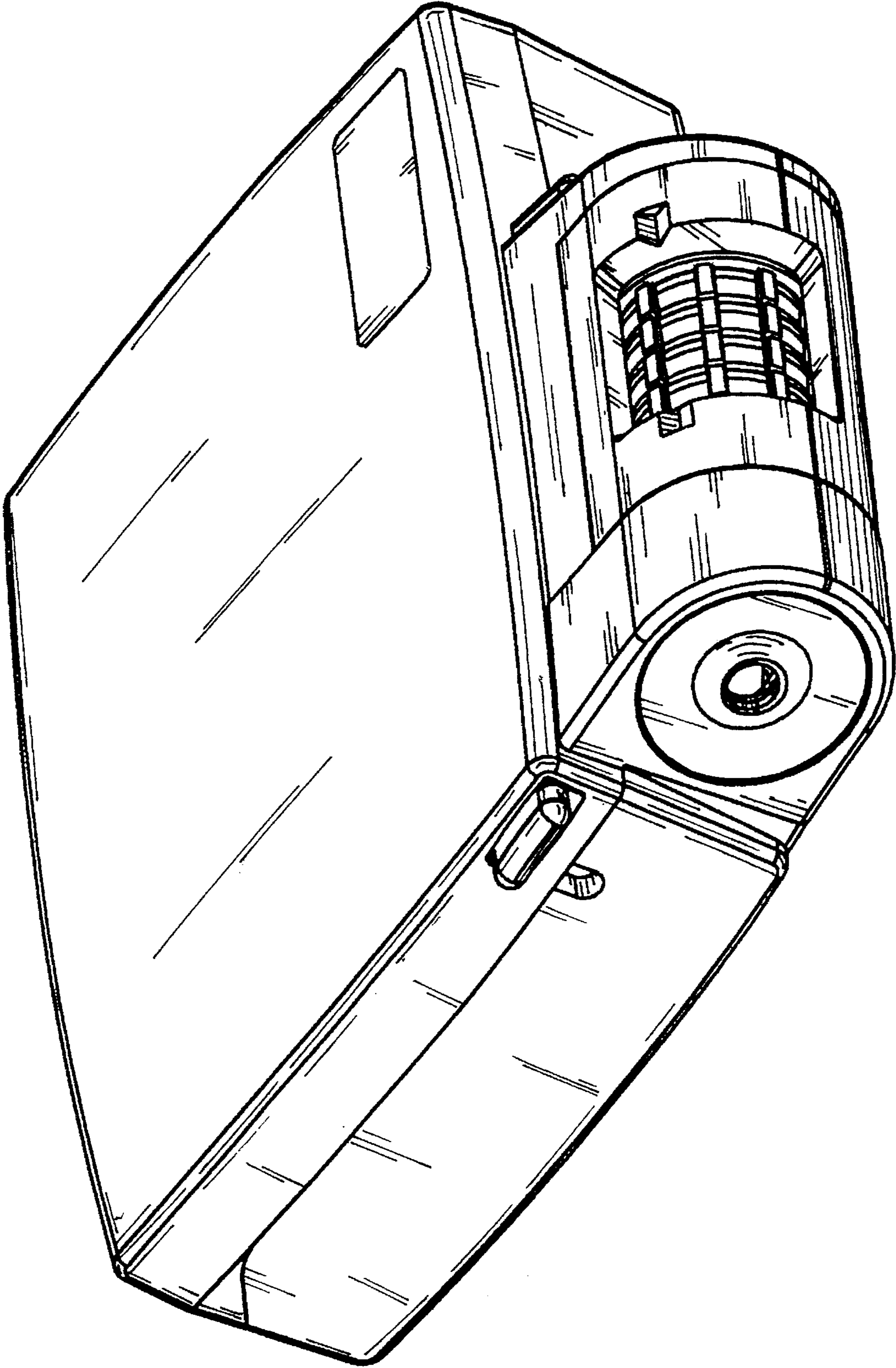


FIG. 1

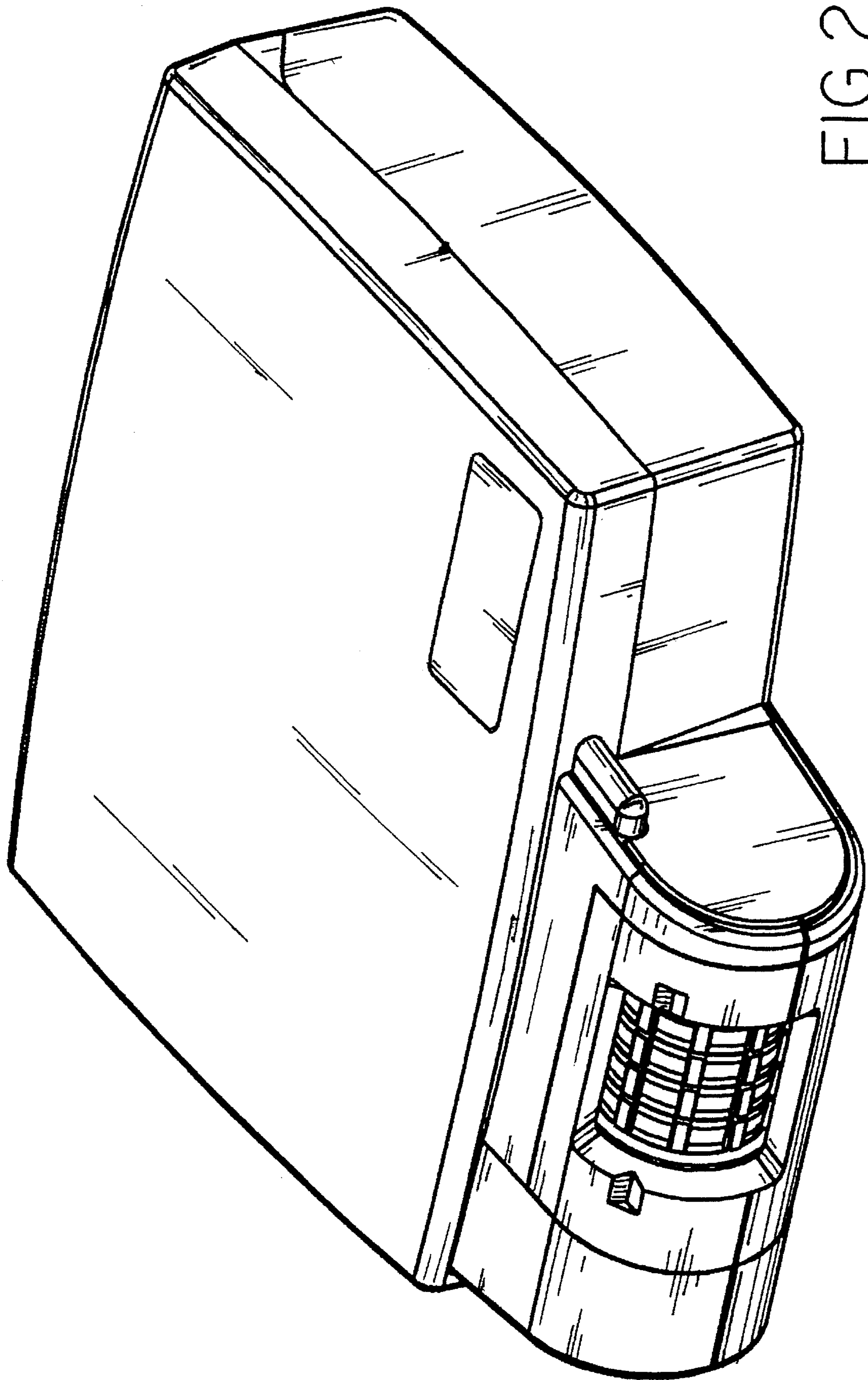


FIG. 2

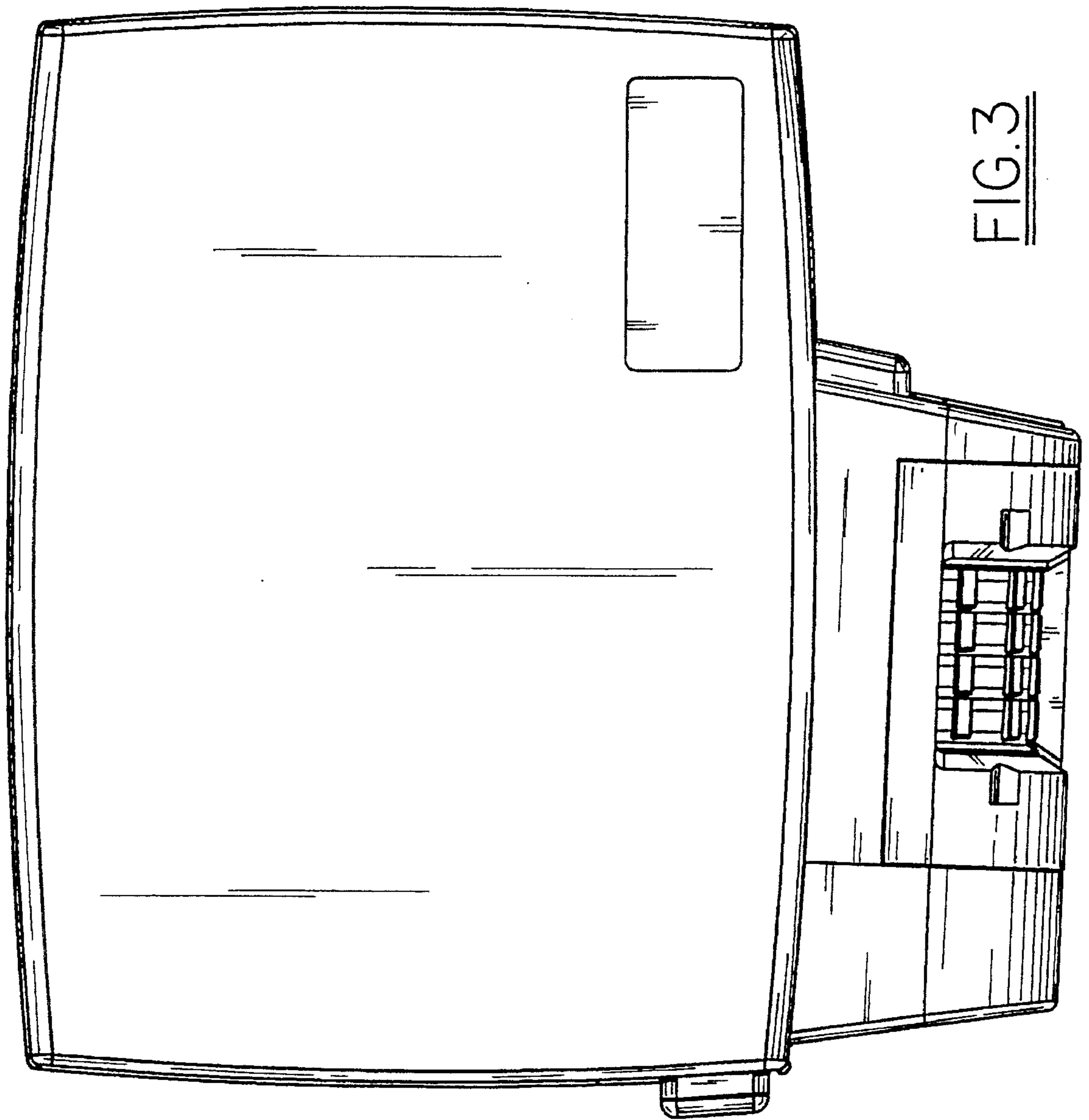


FIG. 3

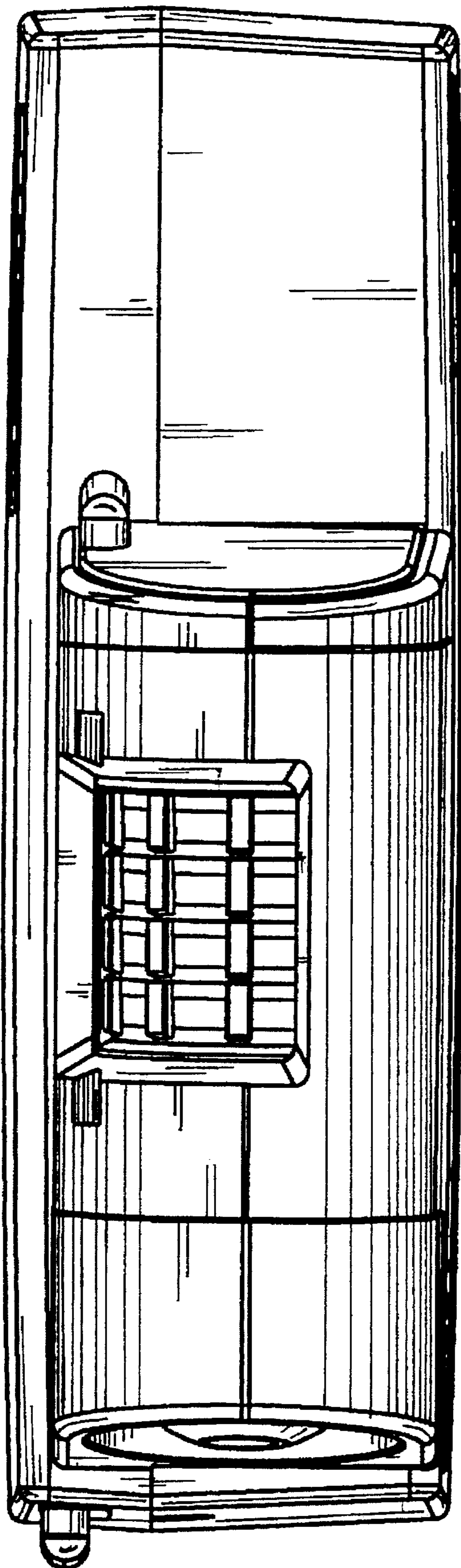
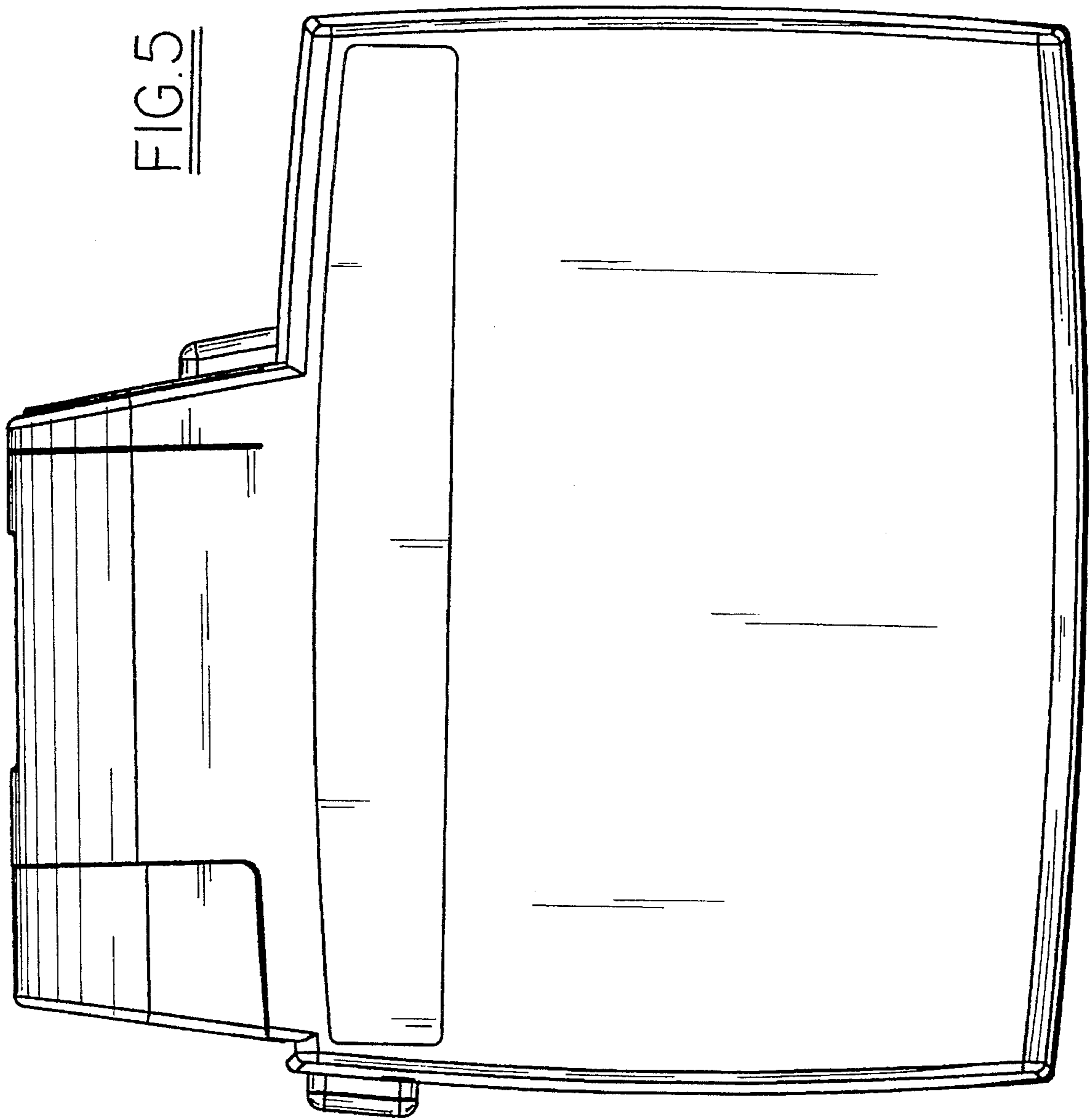


FIG. 4

FIG. 5



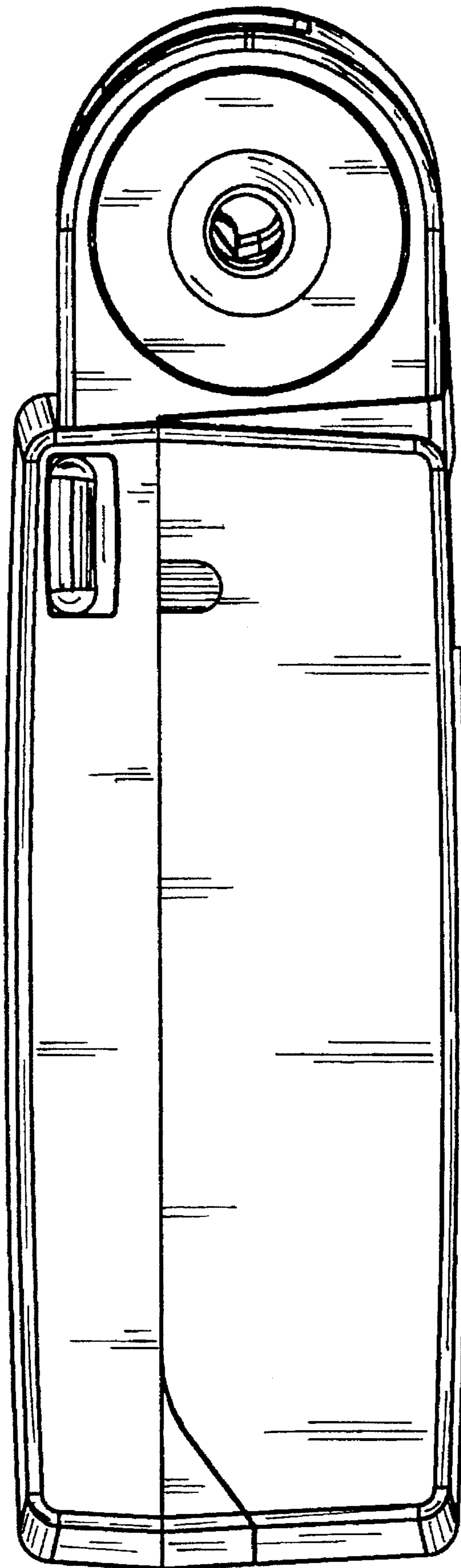


FIG. 6

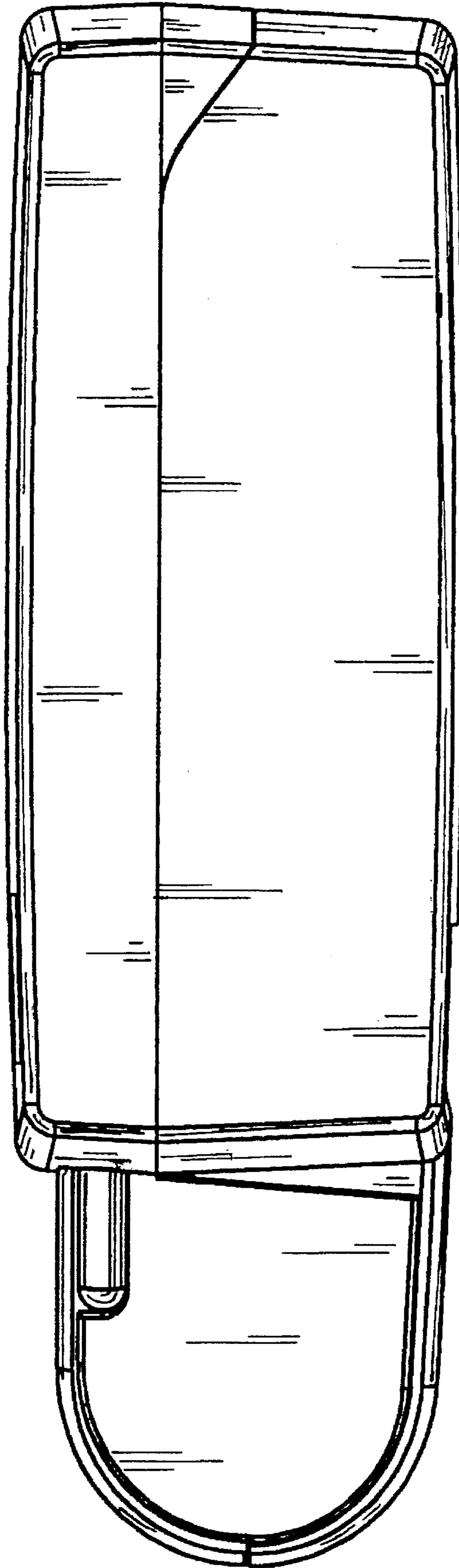


FIG. 7

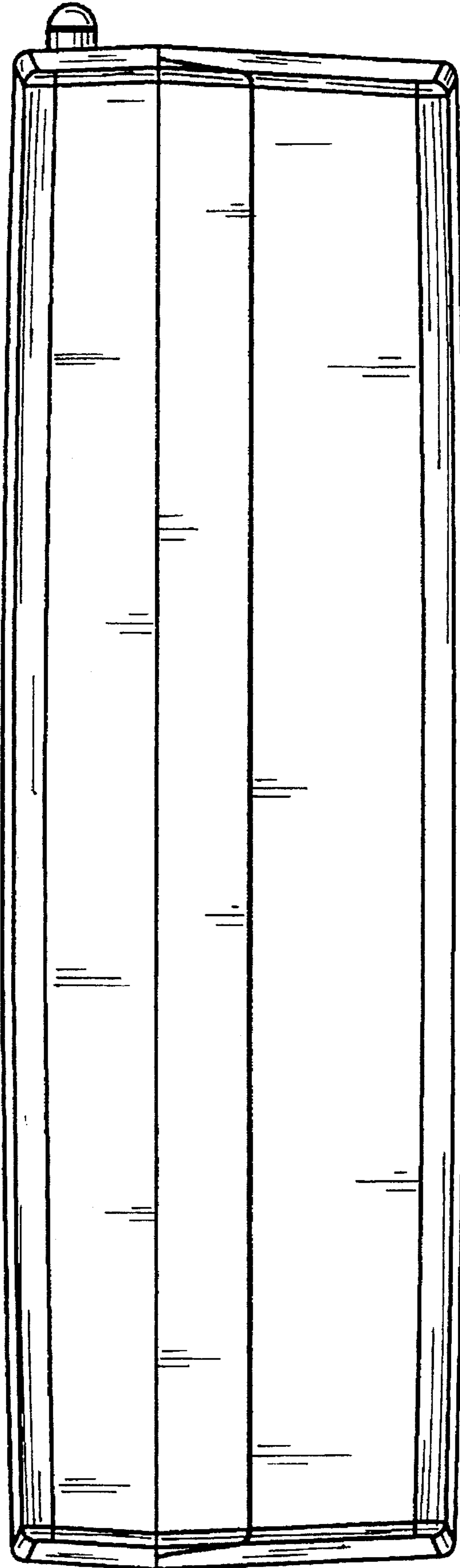


FIG. 8

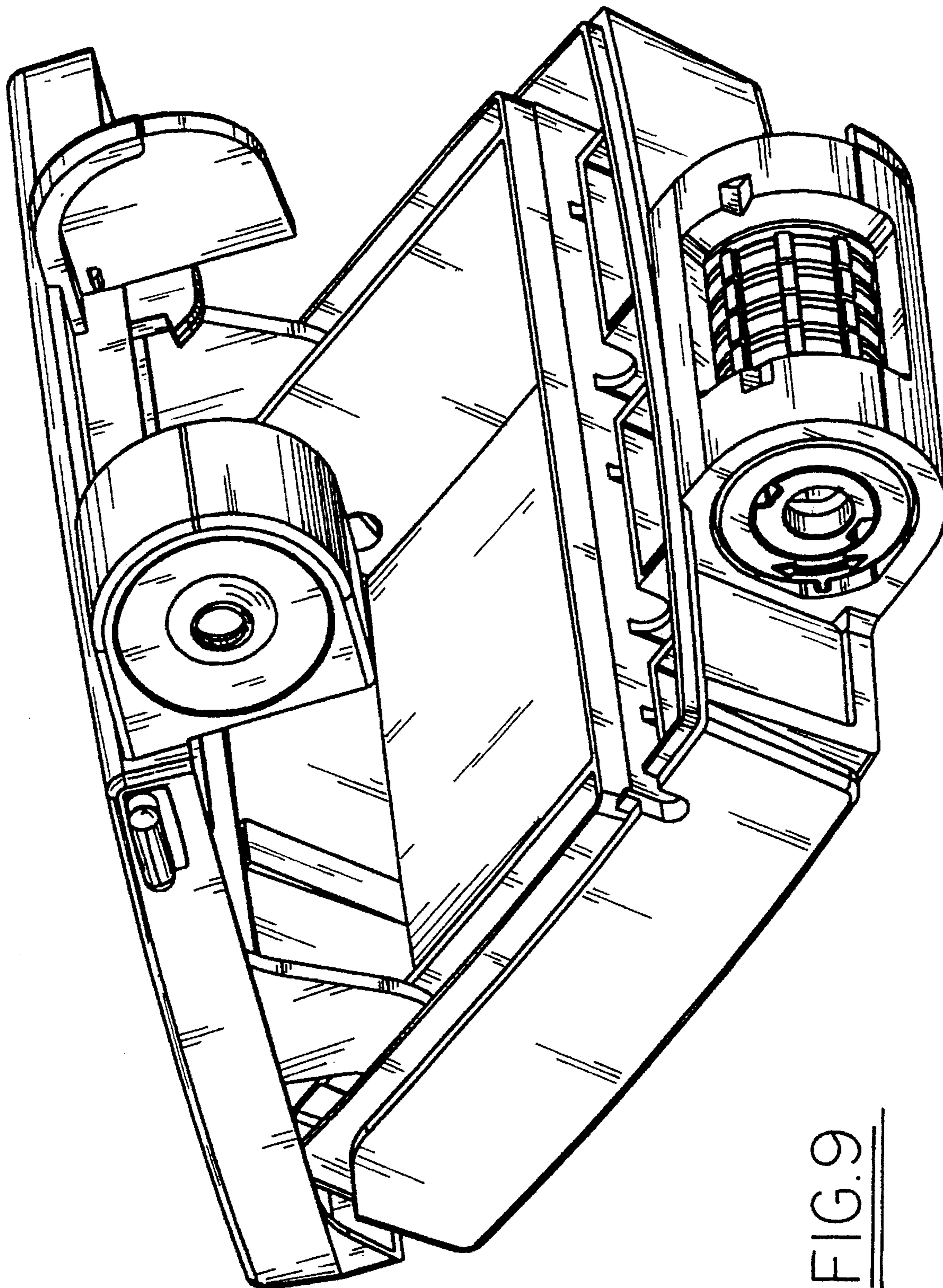


FIG. 9

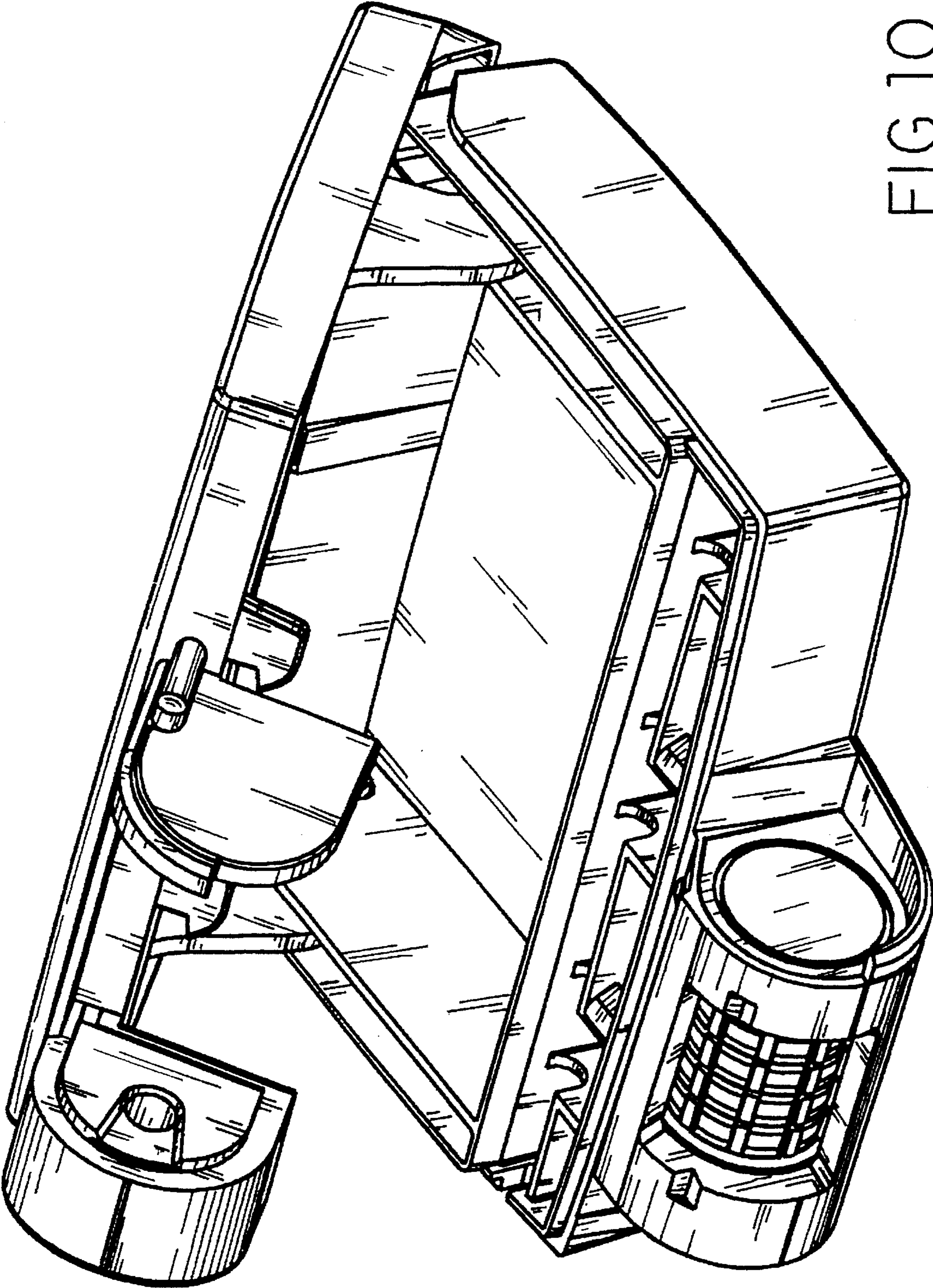


FIG. 10