



US00D376688S

United States Patent [19]

[11] Patent Number: **Des. 376,688**

Gallagher et al.

[45] Date of Patent: ****Dec. 24, 1996**

[54] SEMICONDUCTOR WAFER CASSETTE
TRANSPORT BOX

[75] Inventors: **Gary M. Gallagher; Boyd C. Wittman**, both of Colorado Springs, Colo.; **Edmund B. Neumann**, Corvallis, Oreg.

[73] Assignee: **Empak, Inc.**, Chanhassen, Minn.

[**] Term: **14 Years**

[21] Appl. No.: **32,529**

[22] Filed: **Dec. 20, 1994**

[52] U.S. Cl. **D3/273**

[58] Field of Search D13/182; 206/328,
206/334, 454; 211/41; D3/201, 272, 273,
276, 315

[56] **References Cited**

U.S. PATENT DOCUMENTS

Re. 33,361	10/1990	Coe	206/444
3,913,749	10/1975	Wyers	214/1 BD
4,043,451	8/1977	Johnson	206/334
4,061,228	12/1977	Johnson	206/454
4,129,211	12/1978	Clement et al.	206/213
4,171,740	10/1979	Clement et al.	206/213.1
4,248,346	2/1981	Johnson	206/334
4,450,960	5/1984	Johnson	206/334
4,520,985	6/1985	Johnson	206/334
4,532,970	8/1985	Tullis et al.	141/98
4,534,389	8/1985	Tullis	141/98
4,555,024	11/1985	Voss et al.	206/454
4,557,382	12/1985	Johnson	206/444
4,582,219	4/1986	Mortensen et al.	206/454 X
4,588,086	5/1986	Coe	206/454 X
4,684,021	8/1987	Niebling et al.	206/334
4,718,549	1/1988	Rissotti et al.	206/334
4,718,552	1/1988	Rossi et al.	206/444
4,721,207	1/1988	Kikuchi	206/334
4,724,874	2/1988	Parikh et al.	141/98
4,739,882	4/1988	Parikh et al.	206/454
4,747,488	5/1988	Kikuchi	206/334 X
4,752,007	6/1988	Rossi et al.	206/444

4,793,488	12/1988	Mortensen	206/454
4,796,755	1/1989	Ardenti	206/334 X
4,815,912	3/1989	Maney et al.	414/117
4,817,795	4/1989	Kos	206/328
4,817,799	4/1989	Gregerson et al.	206/445
4,880,116	11/1989	Kos	206/454
4,911,638	3/1990	Bayne et al.	432/152
4,966,284	10/1990	Gregerson et al.	206/444
4,966,519	10/1990	Davis et al.	414/786
4,995,430	2/1991	Bonora et al.	141/98
5,024,329	6/1991	Grohrock	206/454
5,025,926	6/1991	Gregerson et al.	206/444
5,026,239	6/1991	Chiba et al.	414/217
5,044,871	9/1991	Davis et al.	414/786
5,046,615	9/1991	Nentl et al.	206/454
5,169,272	12/1992	Bonora et al.	414/217
5,184,723	2/1993	Karl et al.	206/454
5,207,324	5/1993	Kos	206/334
5,217,053	6/1993	Foster et al.	141/98
5,253,755	10/1993	Maenke	206/444
5,255,783	10/1993	Goodman et al.	206/339
5,255,797	10/1993	Kos	211/41
5,273,159	12/1993	Gregerson	206/334
5,291,923	3/1994	Gallagher et al.	141/98

FOREIGN PATENT DOCUMENTS

WO9216964 10/1992 WIPO .

Primary Examiner—Joel Sincavage
Attorney, Agent, or Firm—Haugen and Nikolai, PA

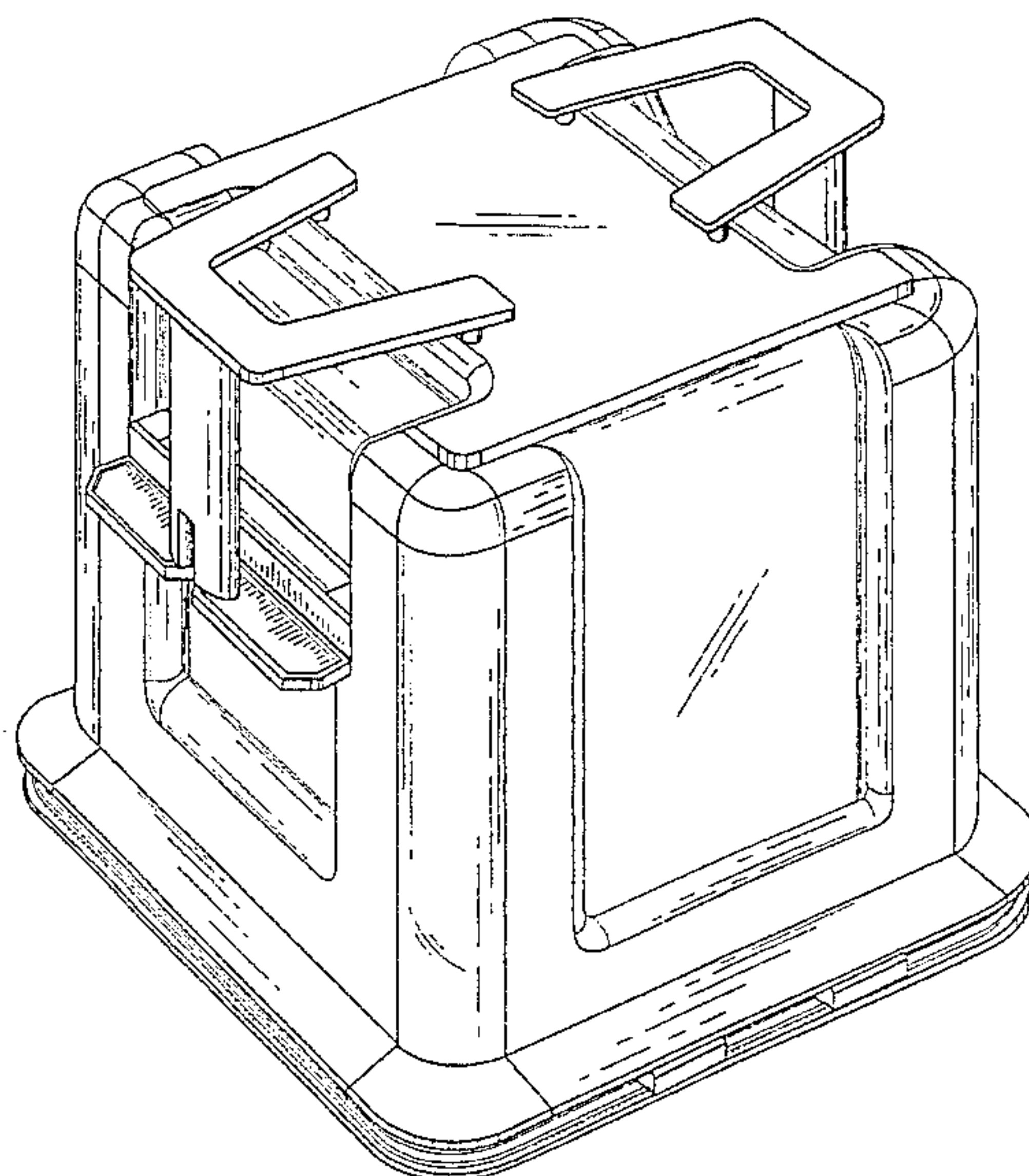
[57] **CLAIM**

The ornamental design for a semiconductor wafer cassette transport box, as shown and described.

DESCRIPTION

FIG. 1 is a perspective view of a transport box having a handle showing my new design;
FIG. 2 is a back elevational view thereof;
FIG. 3 is a front elevational view thereof;
FIG. 4 is a right side elevational view thereof; the left side elevational view being a mirror image thereof; and,
FIG. 5 is a top plan view thereof.

1 Claim, 5 Drawing Sheets



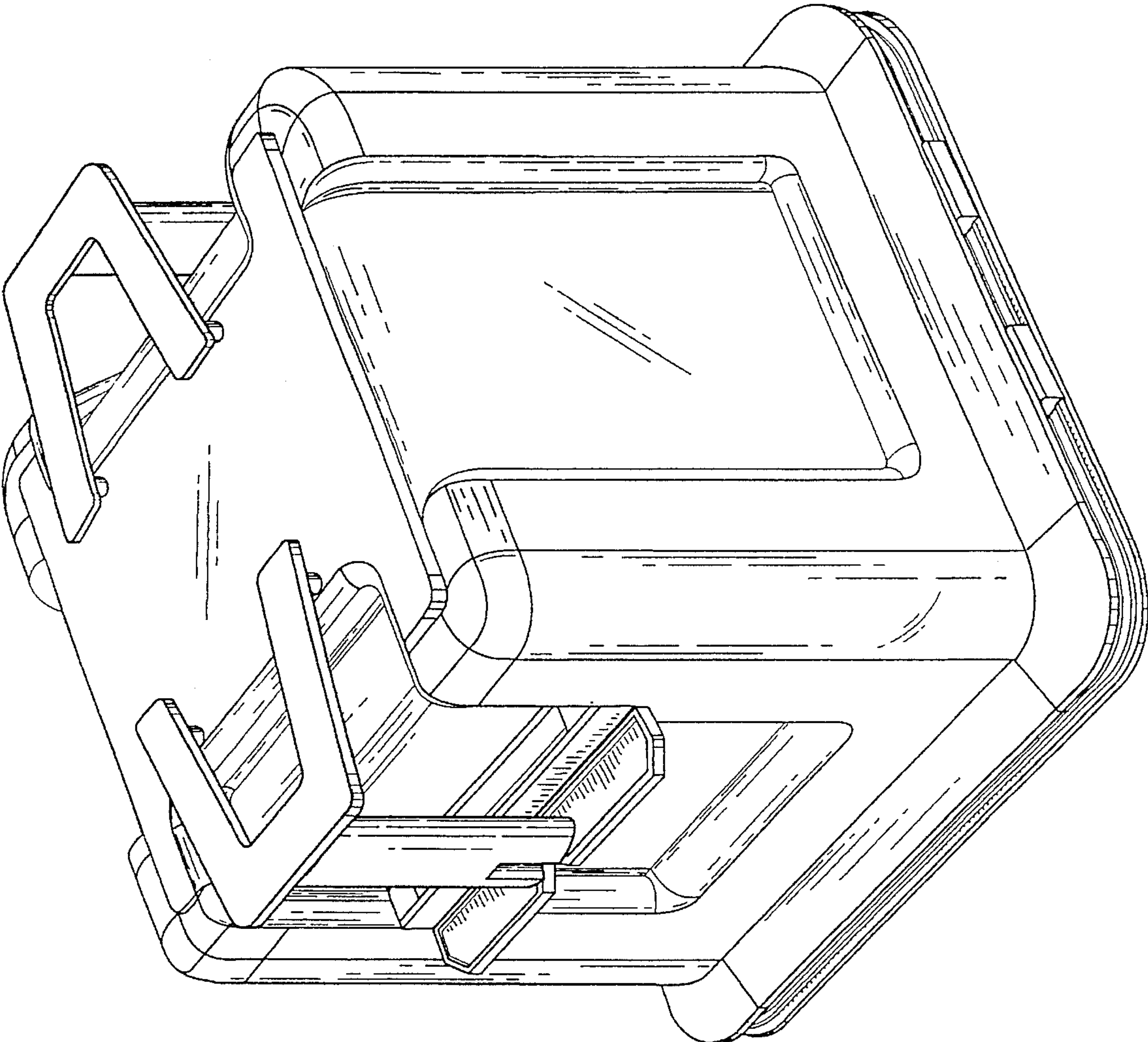


Fig. 1

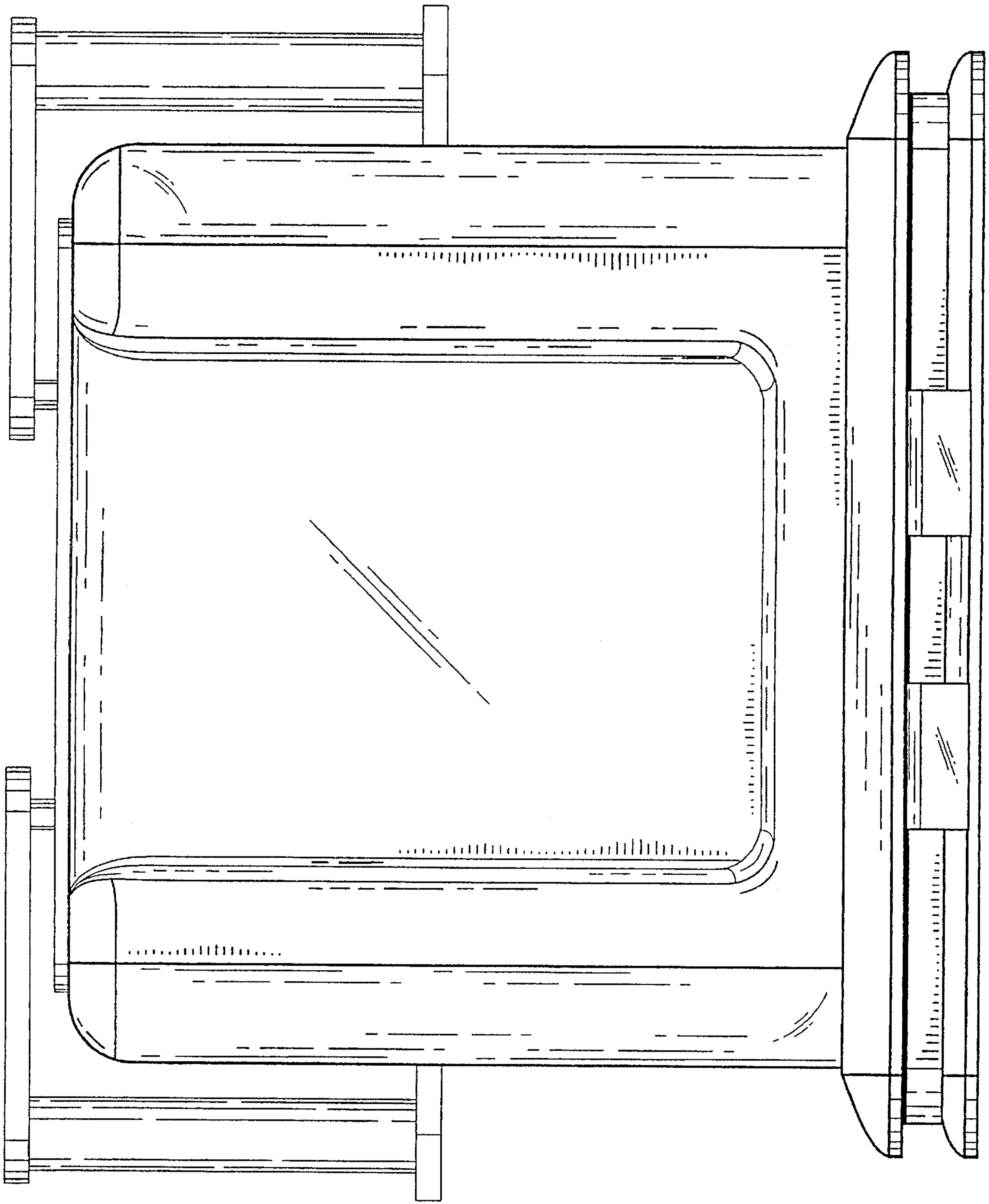


Fig. 2

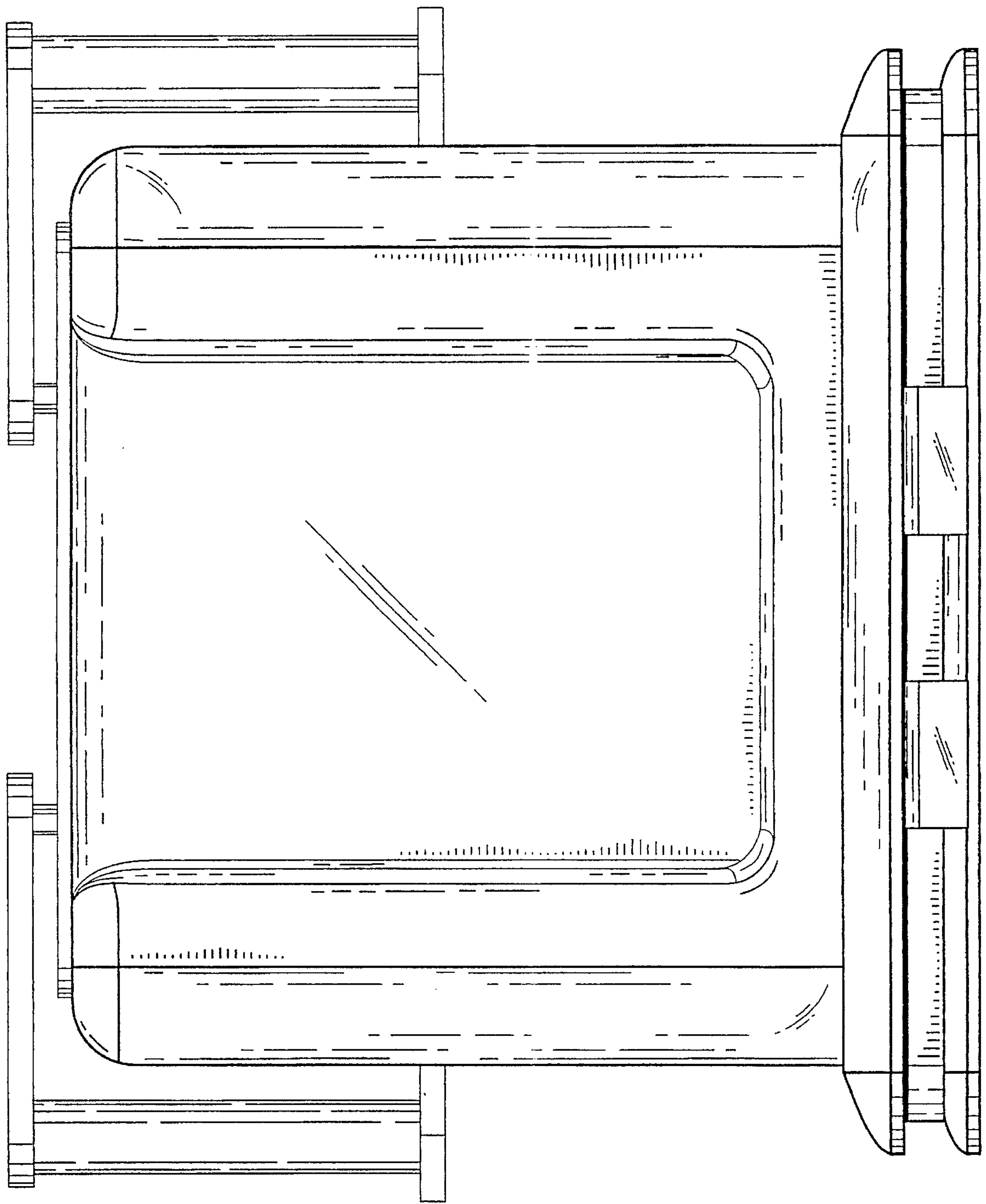


Fig. 3

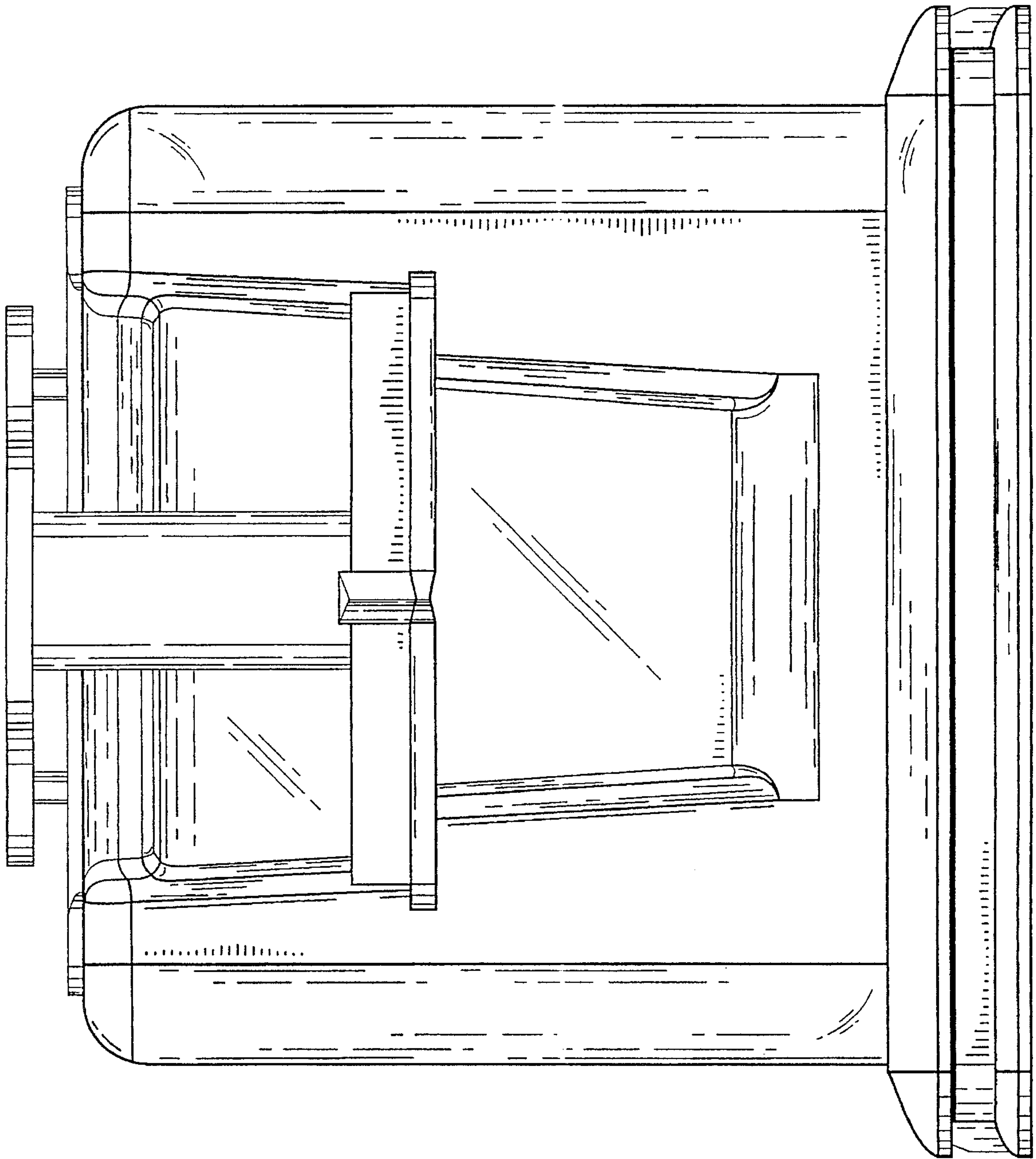


Fig. 4

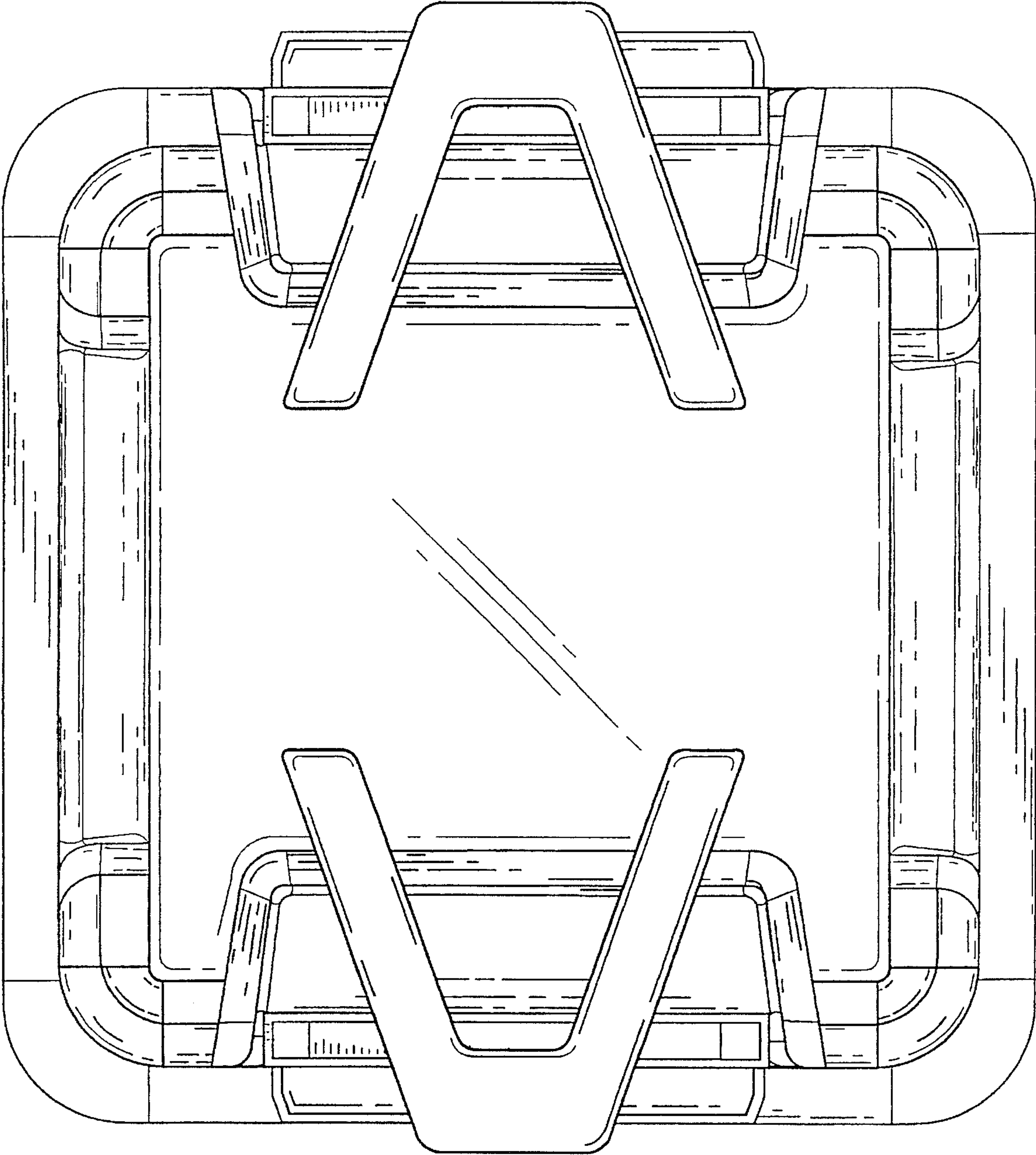


Fig. 5