



US00D376677S

United States Patent [19]

[11] Patent Number: **Des. 376,677**

Boysen

[45] Date of Patent: ****Dec. 17, 1996**

[54] **STRAP FOR FORMING SPORTS GLOVE**

5,000,317 3/1991 Cich 206/315.1
5,086,543 2/1992 Mitchell 24/16 PB

[76] Inventor: **Michael J. Boysen**, 922 Vegas La.,
Northwest, Rochester, Minn. 55901

Primary Examiner—Ruth McInroy
Attorney, Agent, or Firm—Anthony G. Eggink

[**] Term: **14 Years**

[57] **CLAIM**

[21] Appl. No.: **33,499**

The ornamental design for a strap for forming sports gloves,
as shown and described.

[22] Filed: **Jan. 13, 1995**

[52] U.S. Cl. **D29/123**

[58] Field of Search D29/100, 122,
D29/123; D24/189-190; 128/DIG. 15; 119/770;
D30/151-153; 602/62, 64; 606/203; 2/908,
910, 917, 920

DESCRIPTION

FIG. 1 is a top perspective view of a strap for forming sports glove showing my new design, the sports glove forming strap is shown placed about a sports glove which is shown for environmental purposes only and which forms no part of the present invention;

FIG. 2 is a top view, in perspective, showing the strap for forming sports glove of my invention;

FIG. 3 is a bottom perspective view thereof;

FIG. 4 is a side perspective view thereof; and,

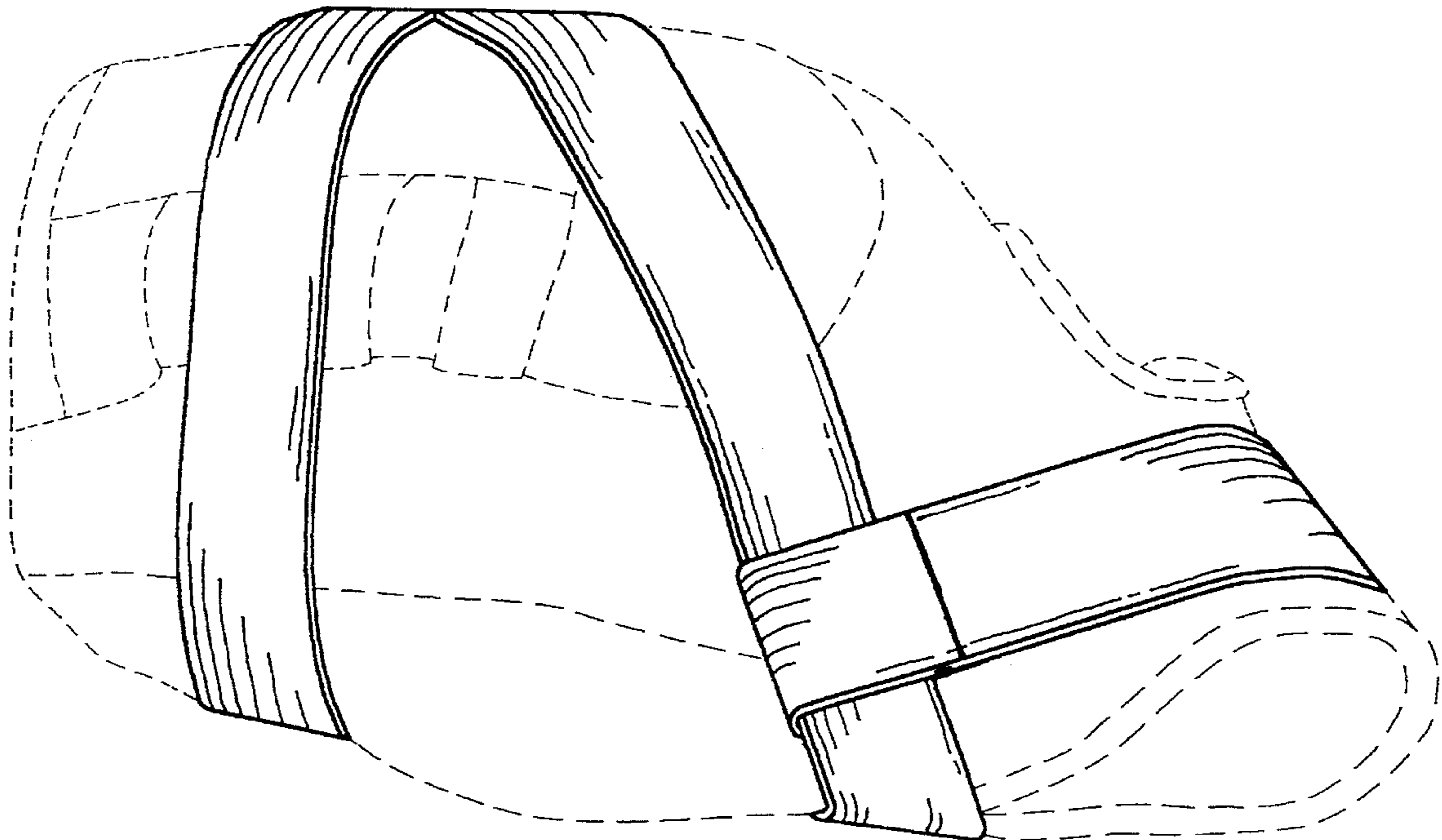
FIG. 5 is a side perspective view thereof and showing the side opposite that of FIG. 4.

[56] **References Cited**

U.S. PATENT DOCUMENTS

D. 282,789	3/1986	Remboldt	D2/627
3,086,529	4/1963	Munz et al.	D2/627
4,765,519	8/1988	Groves	223/78
4,825,475	5/1989	Smart	2/920
4,883,170	11/1989	Wright	206/315.1
4,958,729	9/1990	Wright	206/315.1
4,991,234	2/1991	Greenberg	2/910

1 Claim, 3 Drawing Sheets



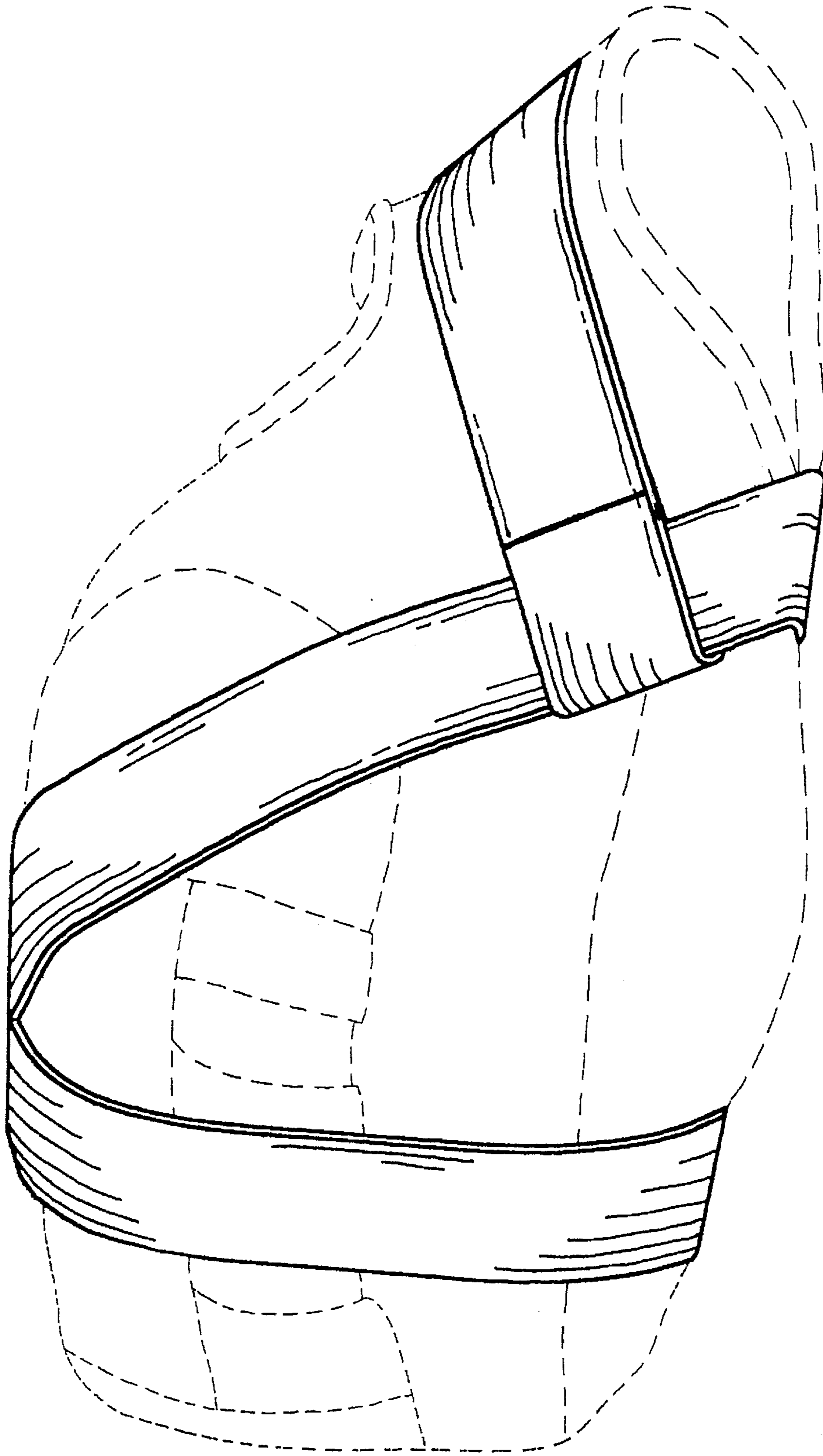


FIG. 1

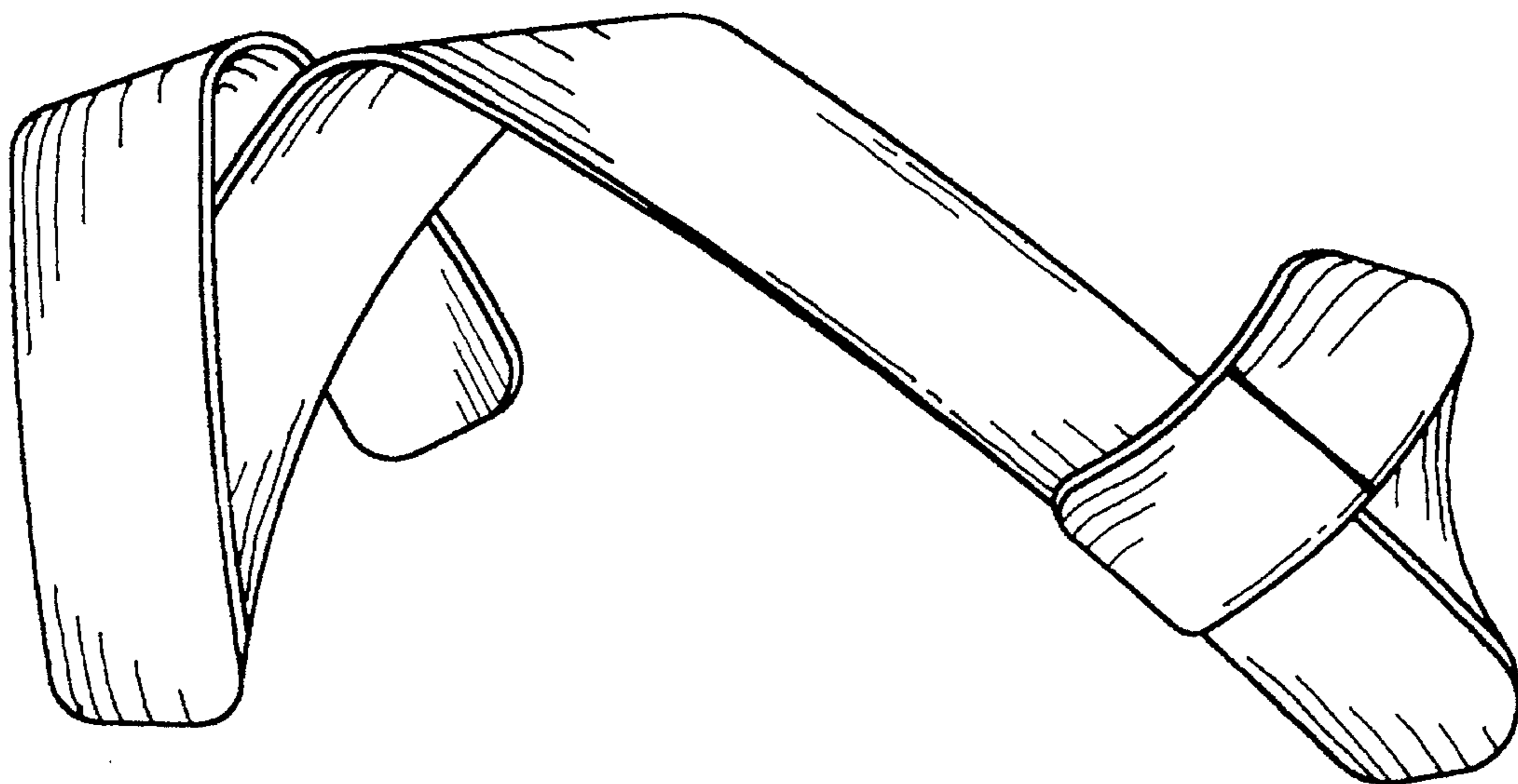


FIG. 2

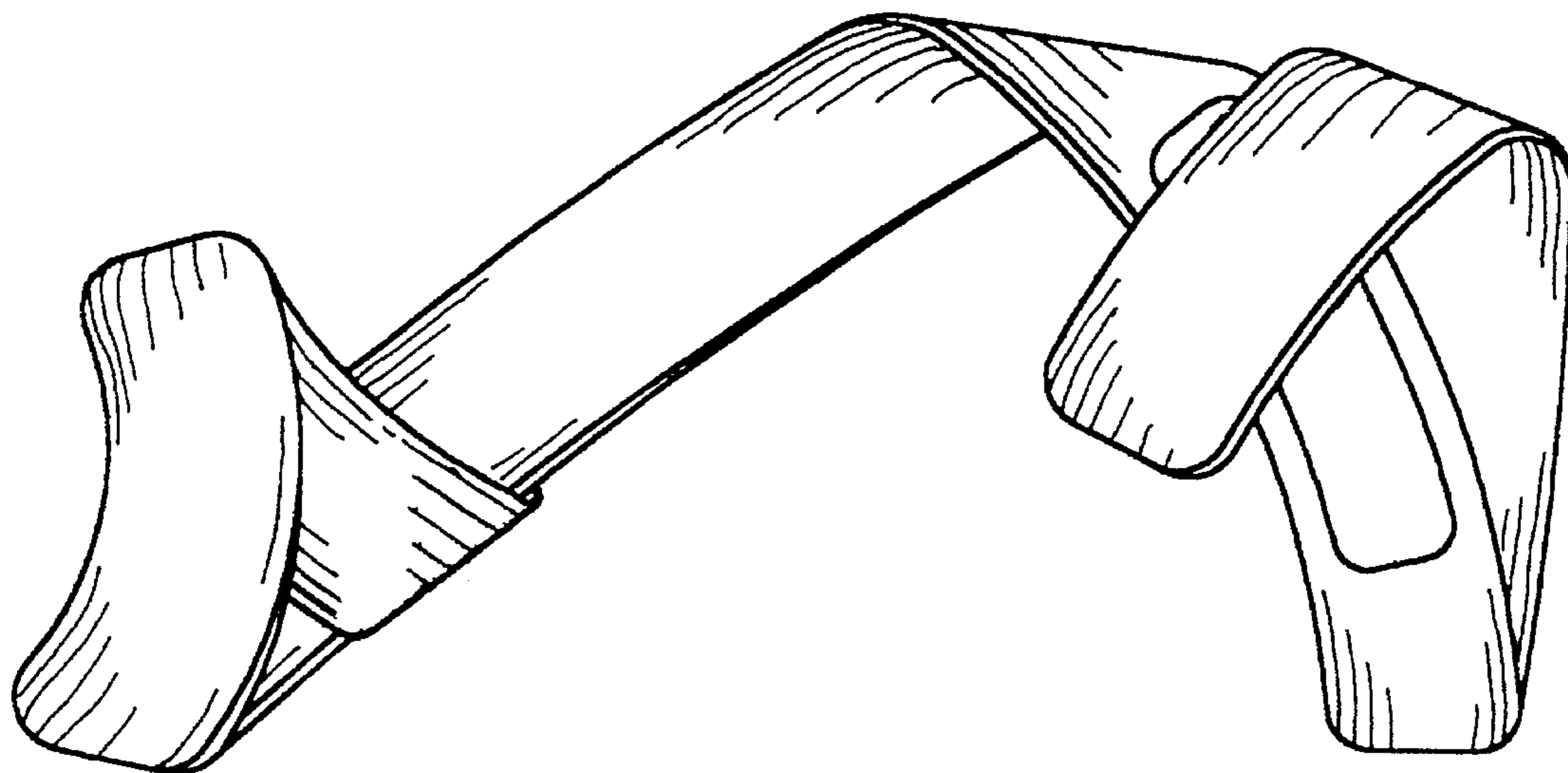


FIG. 3

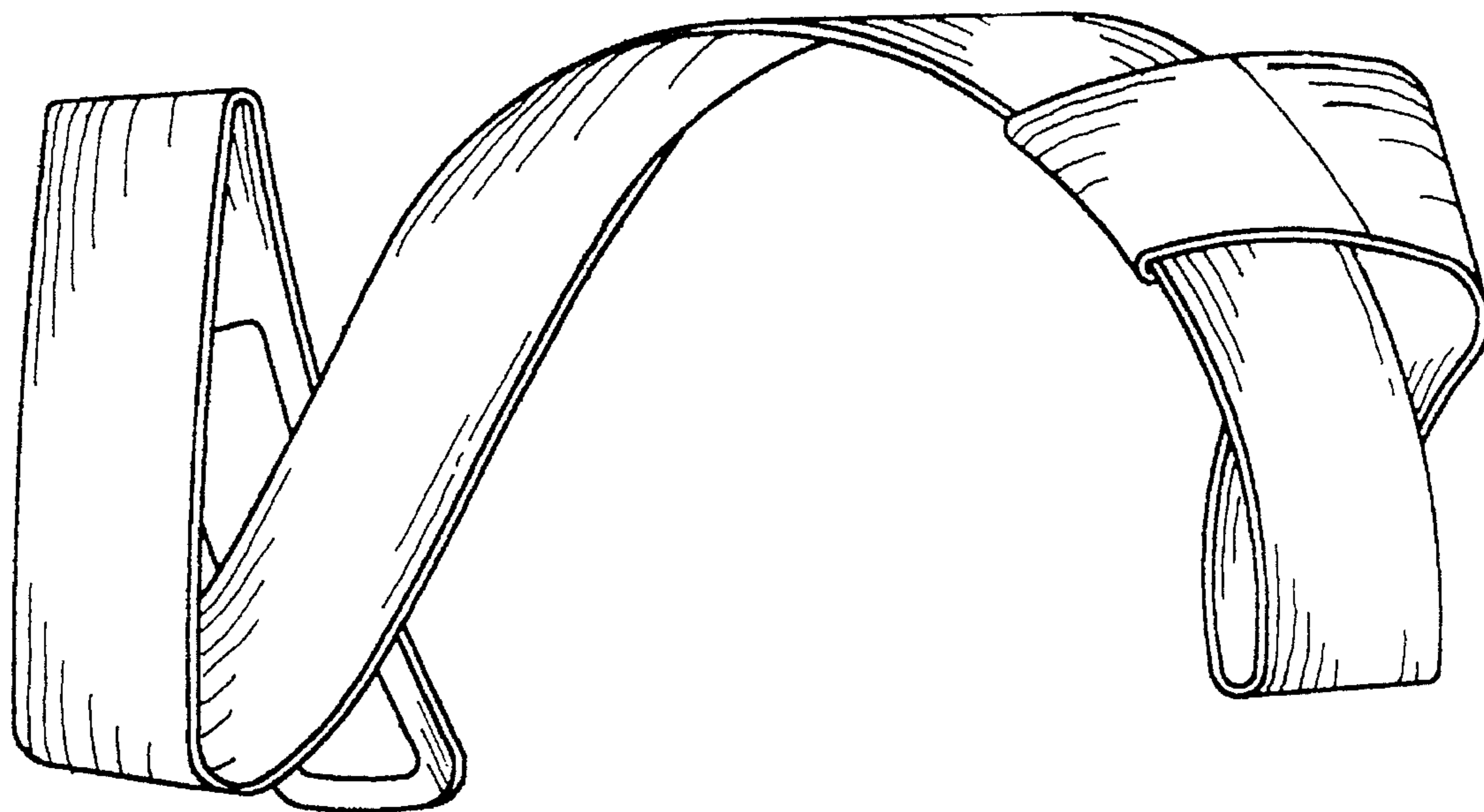


FIG. 4

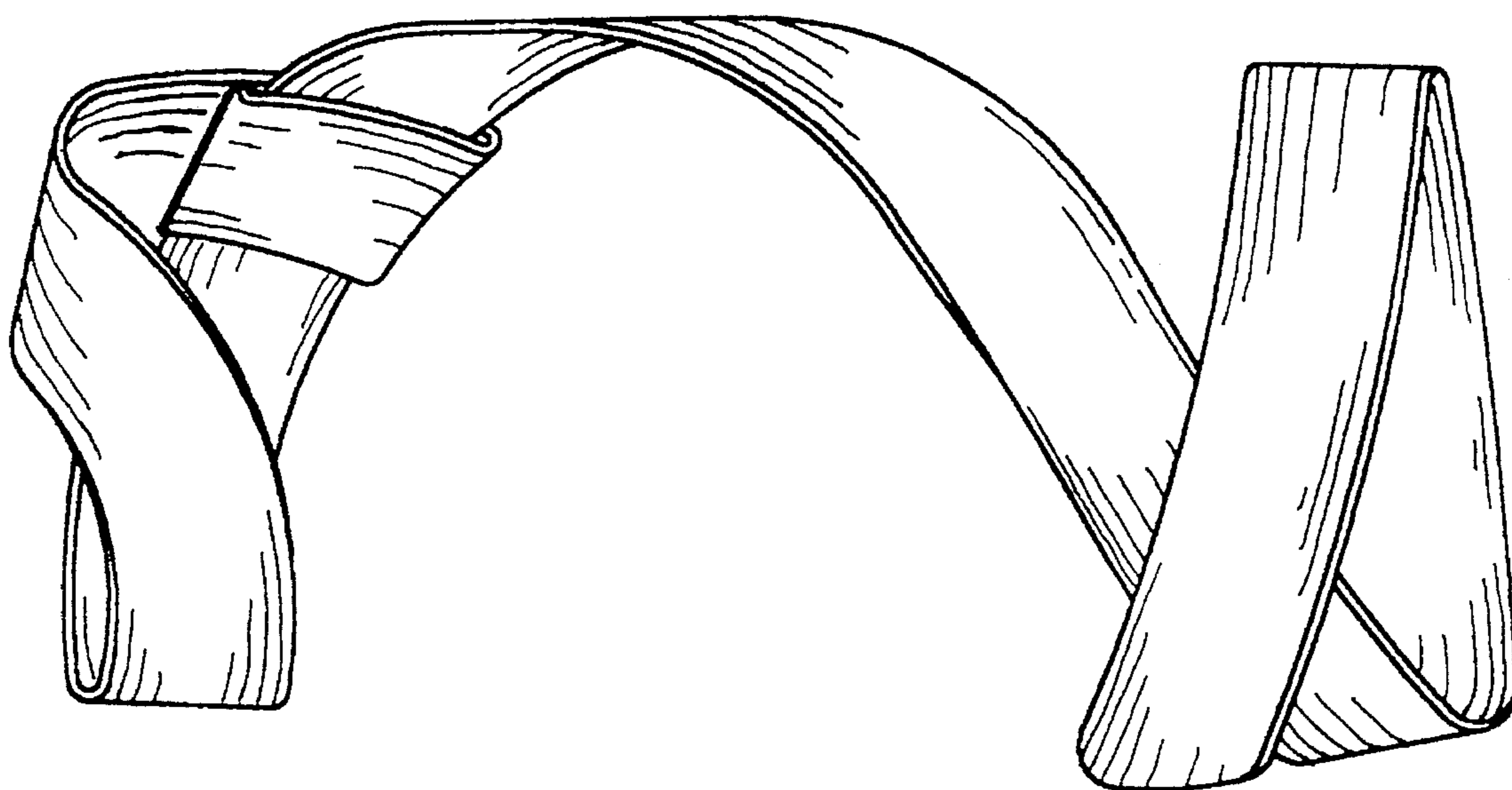


FIG. 5