



US00D376662S

United States Patent [19]

Ambrosio

[11] Patent Number: **Des. 376,662**

[45] Date of Patent: ****Dec. 17, 1996**

[54] **CHILD'S CAR SEAT LIGHT**

[76] Inventor: **Marlane Ambrosio**, R.R. 2 Box 326 A
Hurley Rd., Salt Point, N.Y. 12578-9611

[**] Term: **14 Years**

[21] Appl. No.: **46,249**

[22] Filed: **Nov. 9, 1995**

[52] U.S. Cl. **D26/28**; D26/44; D12/187

[58] Field of Search D26/28, 37-50;
362/157, 158, 183-202; D12/187, 188,
189; D6/300, 301, 302

[56] **References Cited**

U.S. PATENT DOCUMENTS

D. 287,644	1/1987	Gierke	D26/44
D. 312,702	12/1990	Krol	D26/44
D. 319,511	8/1991	Humphrey	D26/44
D. 337,842	7/1993	Yuen	D26/44
D. 341,220	11/1993	Eagan	D26/43

D. 345,810 4/1994 Yuen D26/44
D. 365,073 12/1995 Nagano D12/187

Primary Examiner—A. Hugo Word
Assistant Examiner—Marcus Jackson
Attorney, Agent, or Firm—Harpman & Harpman

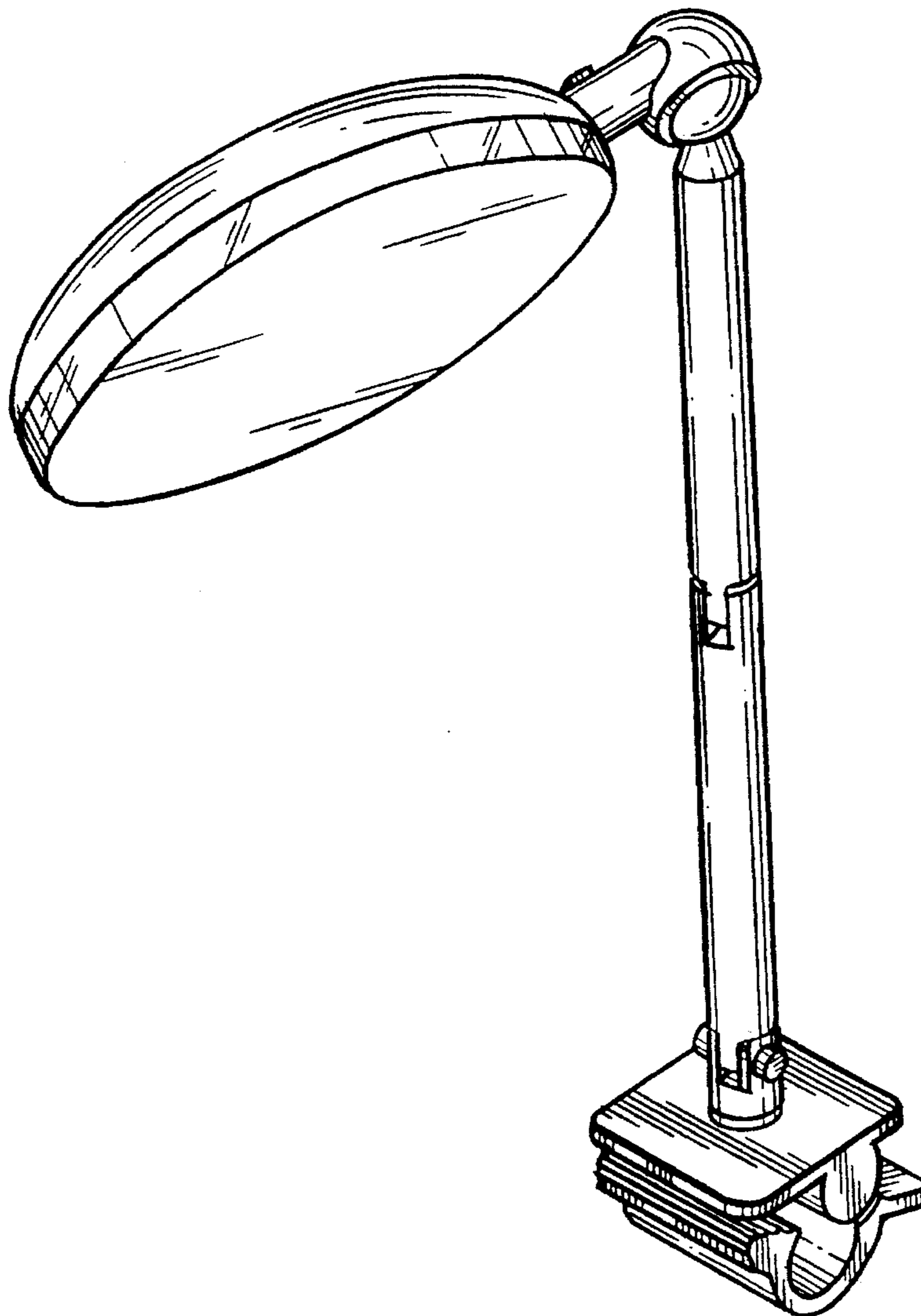
[57] **CLAIM**

The ornamental design for a child's car seat light , as shown and described.

DESCRIPTION

FIG. 1 is a front, top and side perspective view of the child's car seat light embodying the design of the present invention; FIG. 2 is a right side elevational view thereof; FIG. 3 is a left side elevational view thereof; FIG. 4 is a rear elevational view thereof; FIG. 5 is a front elevational view thereof; FIG. 6 is a top plan view thereof; and, FIG. 7 is a bottom plan view thereof.

1 Claim, 3 Drawing Sheets



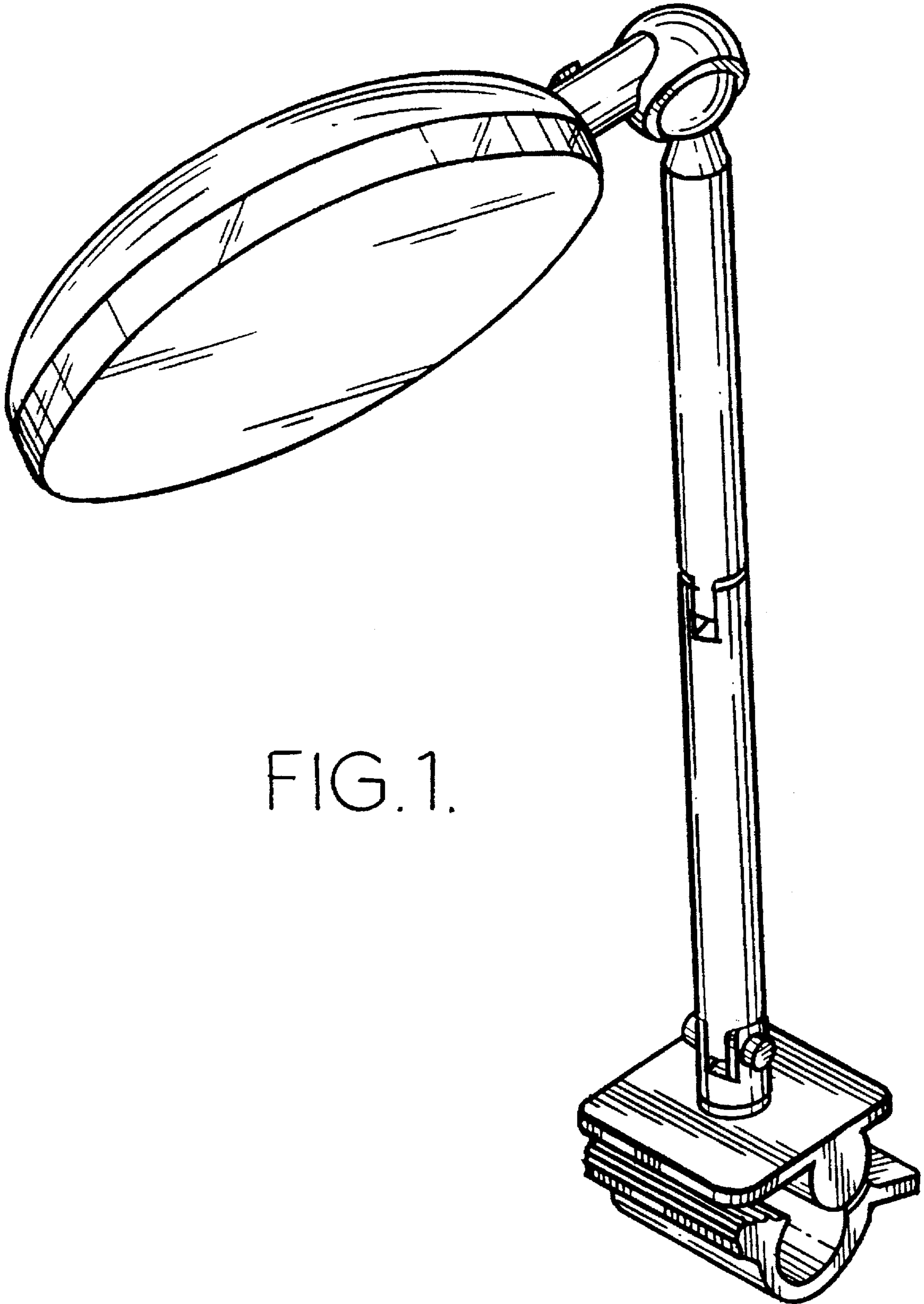


FIG. 1.

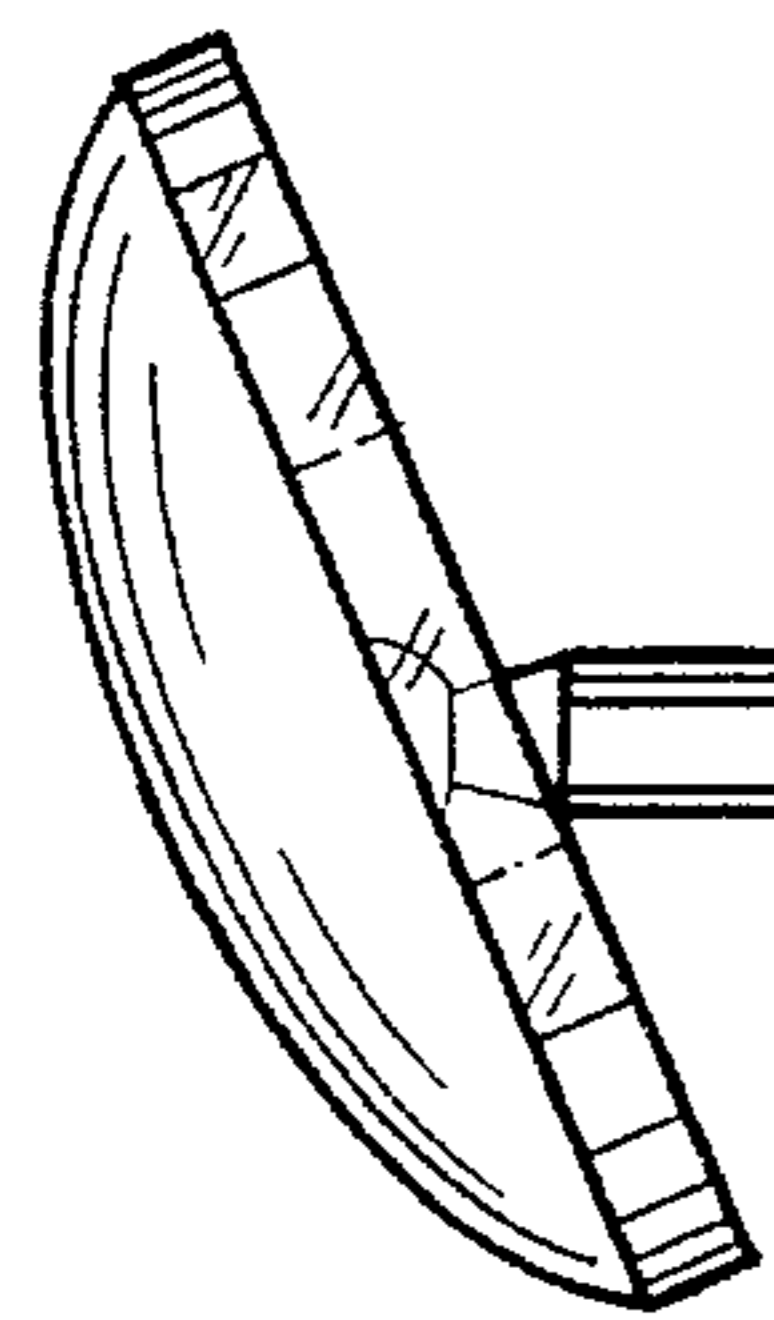


FIG. 5.

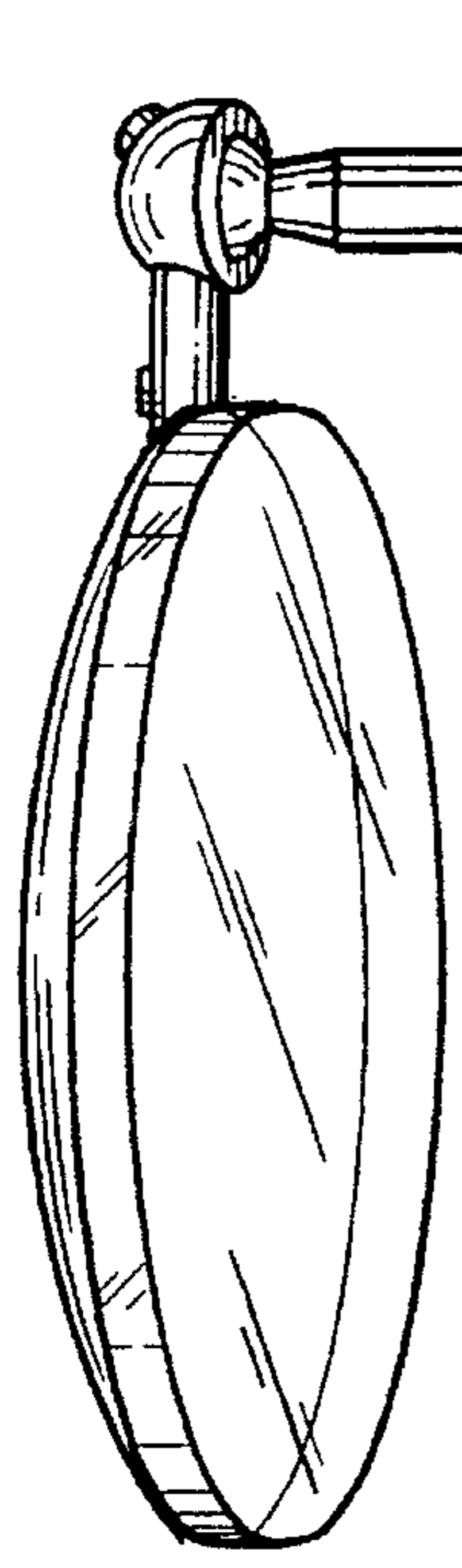


FIG. 2.

FIG. 7.

