



US00D376658S

**United States Patent** [19]  
**DiGiorgio**

[11] **Patent Number: Des. 376,658**

[45] **Date of Patent: \*\*Dec. 17, 1996**

[54] **CASEMENT SASH**

*Primary Examiner—Doris Clark*

[75] Inventor: **Tony DiGiorgio**, Woodbridge, Canada

[57] **CLAIM**

[73] Assignee: **Dominion Plastics Inc.**, Woodbridge, Canada

The ornamental design for a casement sash, as shown and described.

[\*\*] Term: **14 Years**

**DESCRIPTION**

[21] Appl. No.: **48,284**

[22] Filed: **Dec. 22, 1995**

[52] **U.S. Cl.** ..... **D25/124**

[58] **Field of Search** ..... D25/52, 60, 119-125;  
49/501, 504, DIG. 2; 52/204.5, 204.1, 210,  
204.55, 204.56, 204.63, 204.6, 214, 204.61,  
656.6, 730.3, 730.4, 730.5

FIG. 1 is a perspective view from above the casement sash; and,

FIG. 2 is an end view of the casement sash.

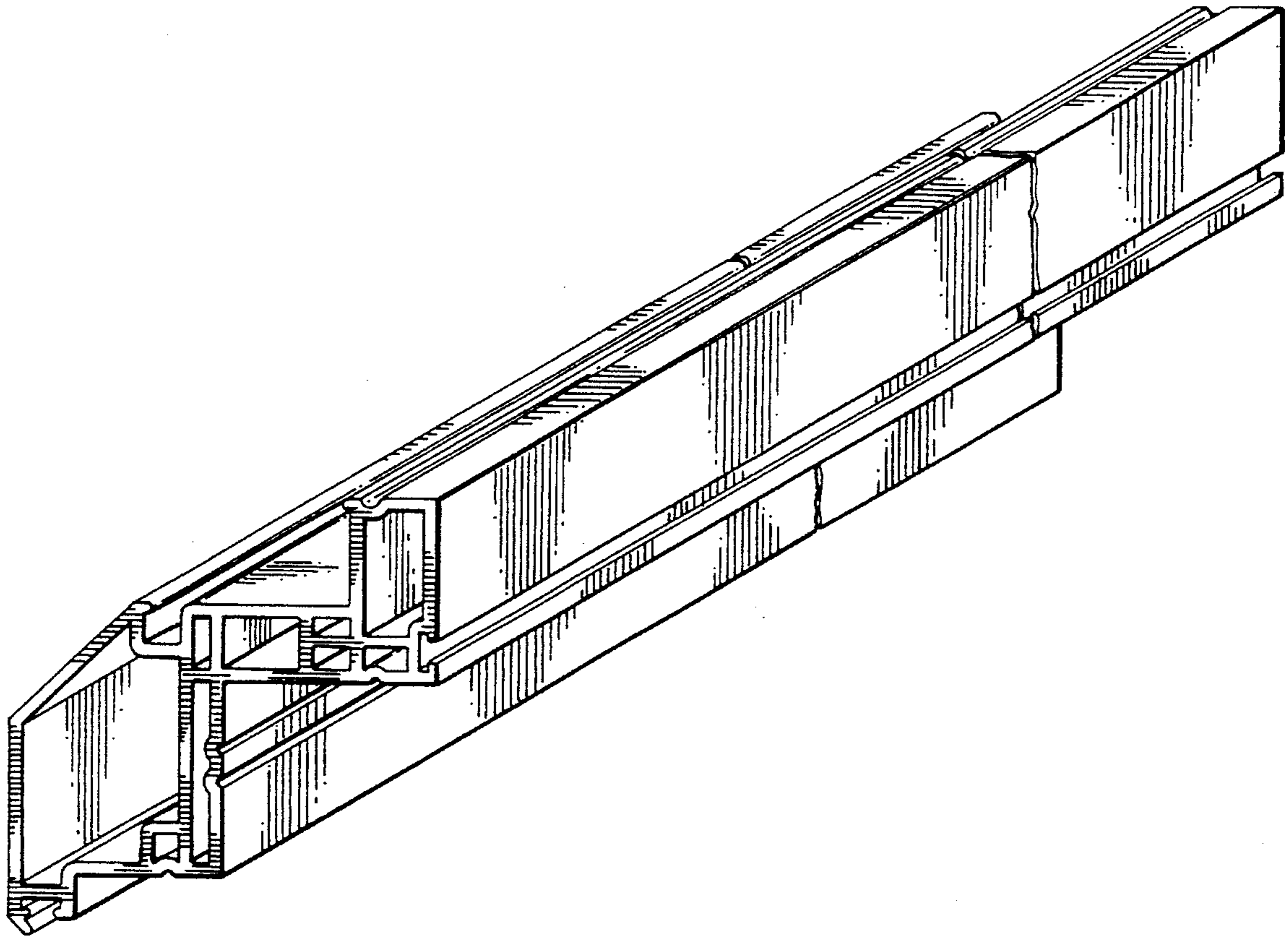
The casement sash is broken away in the center to indicate indeterminate length.

[56] **References Cited**

**U.S. PATENT DOCUMENTS**

D. 335,358 5/1993 Cole ..... D25/124

**1 Claim, 1 Drawing Sheet**



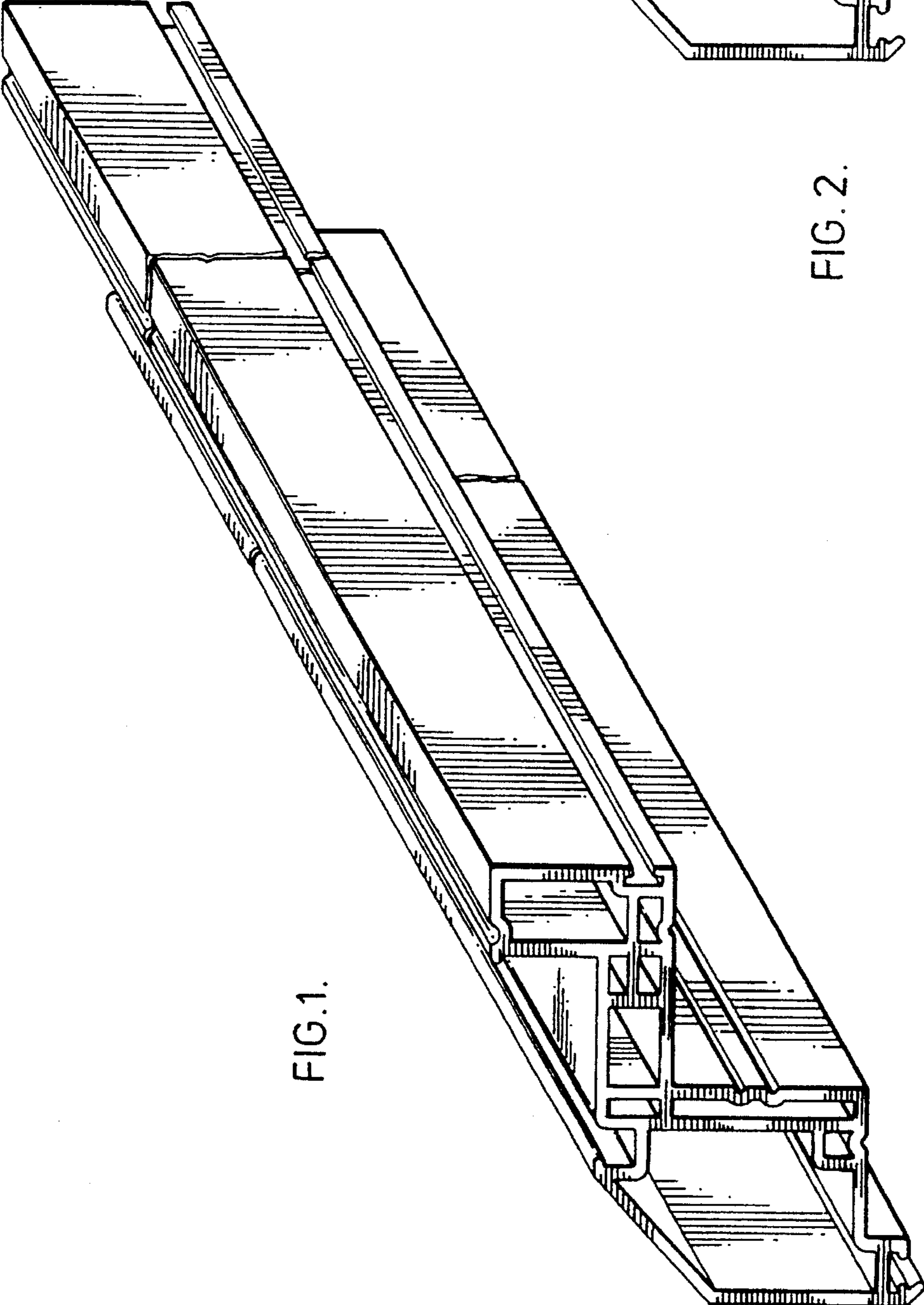


FIG.1.

FIG. 2.