



US00D376656S

# United States Patent [19]

Jackson

[11] Patent Number: **Des. 376,656**

[45] Date of Patent: **\*\*Dec. 17, 1996**

[54] **FOLDING SAW HORSE**

5,215,162 6/1993 Parks et al. .... 182/181

[76] Inventor: **David J. Jackson**, 529 Crerar Avenue,  
Oshawa, Ontario, Canada, L1H2W6

*Primary Examiner*—Doris Clark

[\*\*] Term: **14 Years**

### [57] CLAIM

The ornamental design for a folding saw horse, as shown and described.

[21] Appl. No.: **44,022**

### DESCRIPTION

[22] Filed: **Sep. 15, 1995**

[52] U.S. Cl. .... **D25/67**

[58] Field of Search ..... D25/62, 67; 182/181,  
182/153, 149, 224, 225, 226, 183, 184,  
185, 178

FIG. 1 is a front elevational view of the folding saw horse showing my new design;

FIG. 2 is a rear elevational view thereof;

FIG. 3 is a left side elevational view thereof;

FIG. 4 is a right side elevational view thereof;

FIG. 5 is a top plan view thereof;

FIG. 6 is a bottom plan view thereof; and,

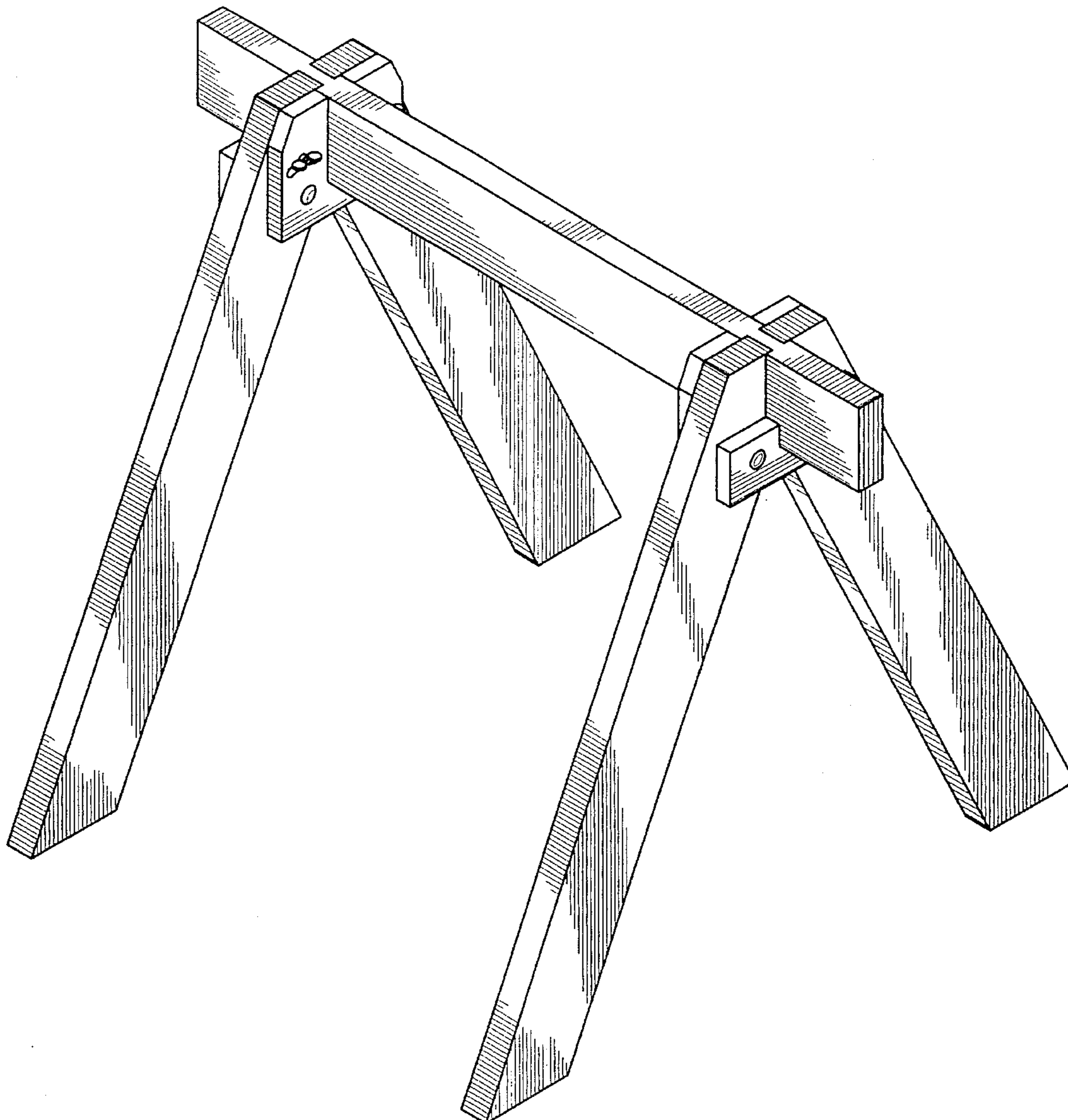
FIG. 7 is an isometric view thereof.

### [56] References Cited

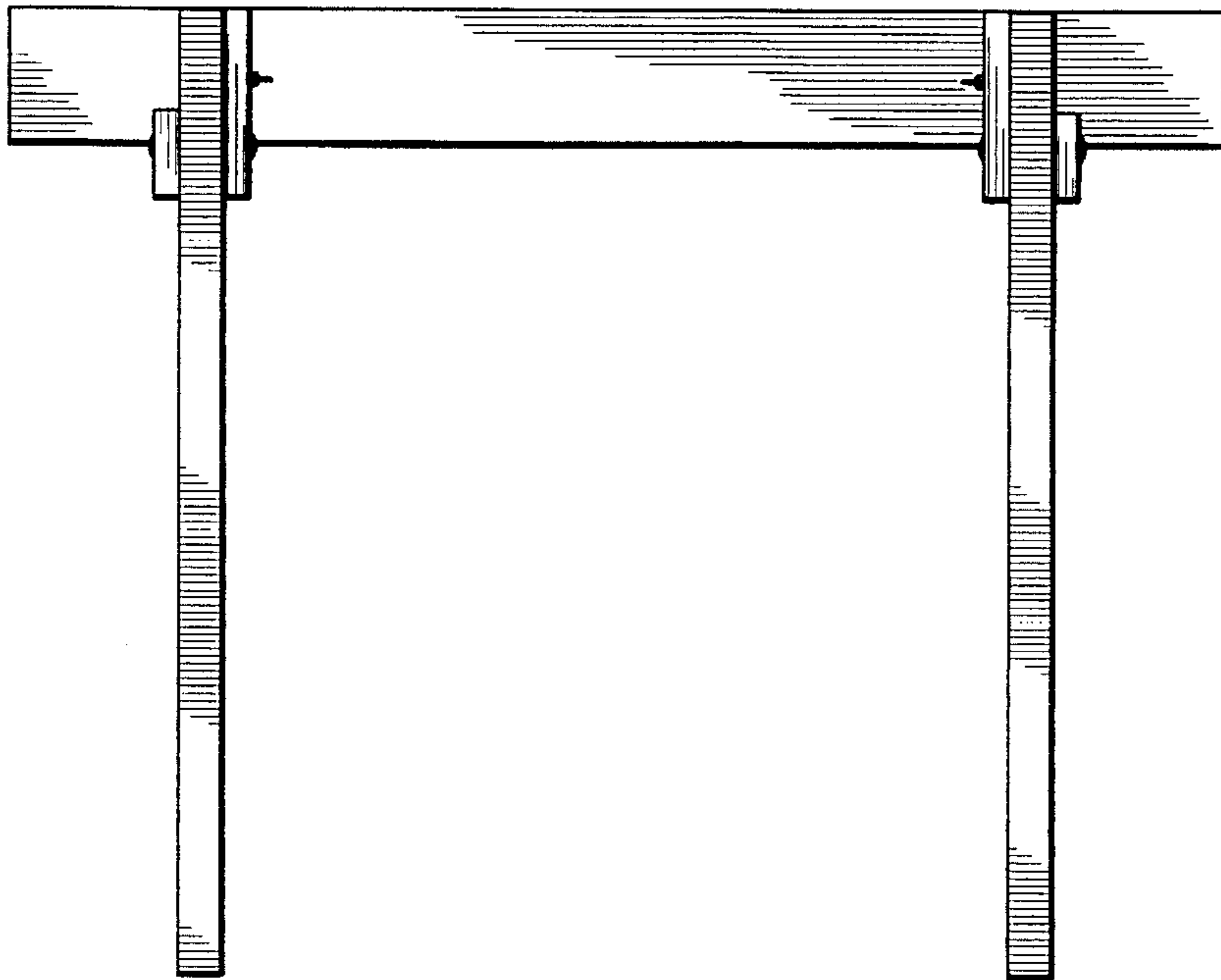
#### U.S. PATENT DOCUMENTS

D. 308,728 6/1990 Carlson ..... D25/67  
4,890,693 1/1990 O'Brien ..... 182/181

**1 Claim, 4 Drawing Sheets**



*FIG. 1*



*FIG. 2*

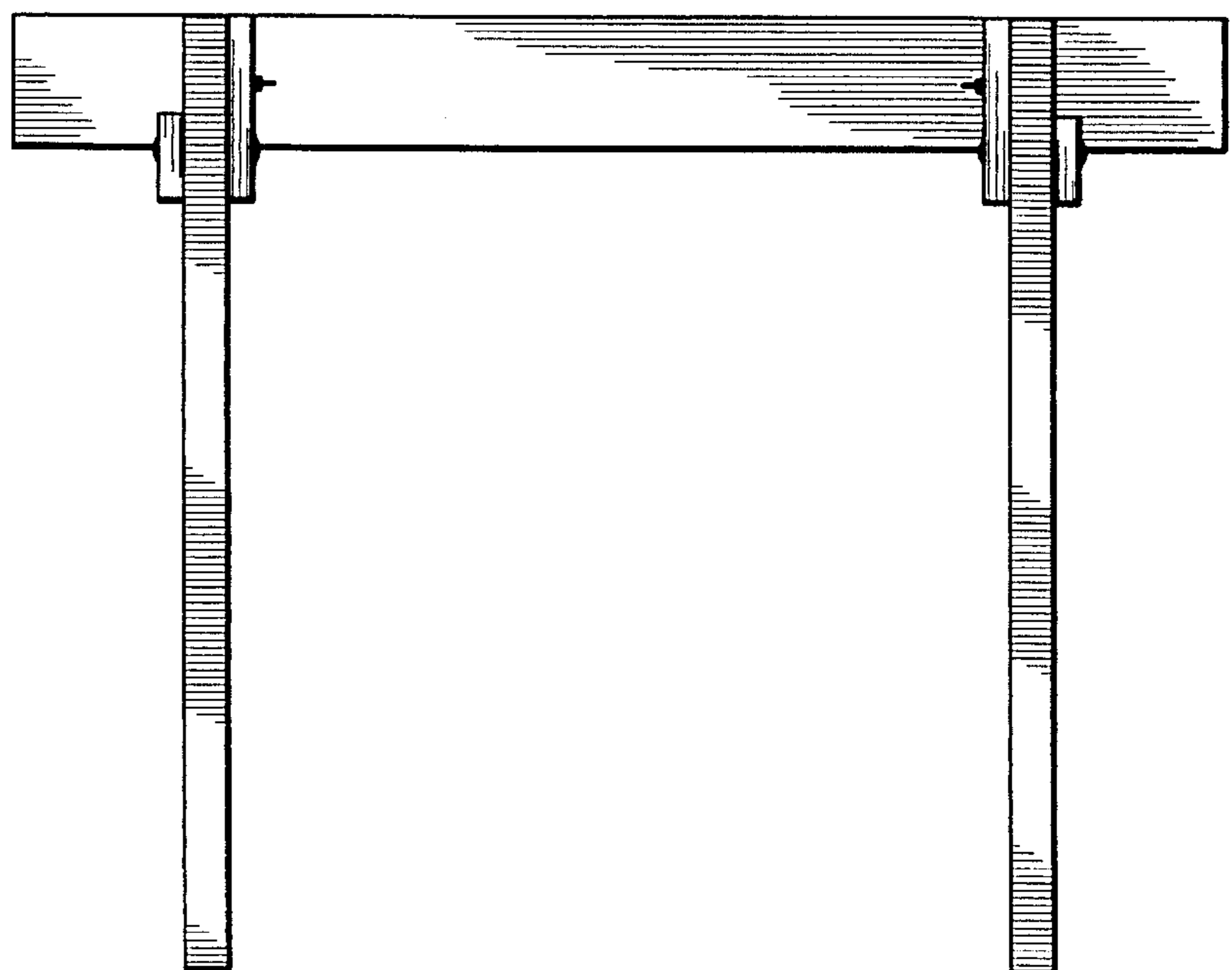


FIG. 3

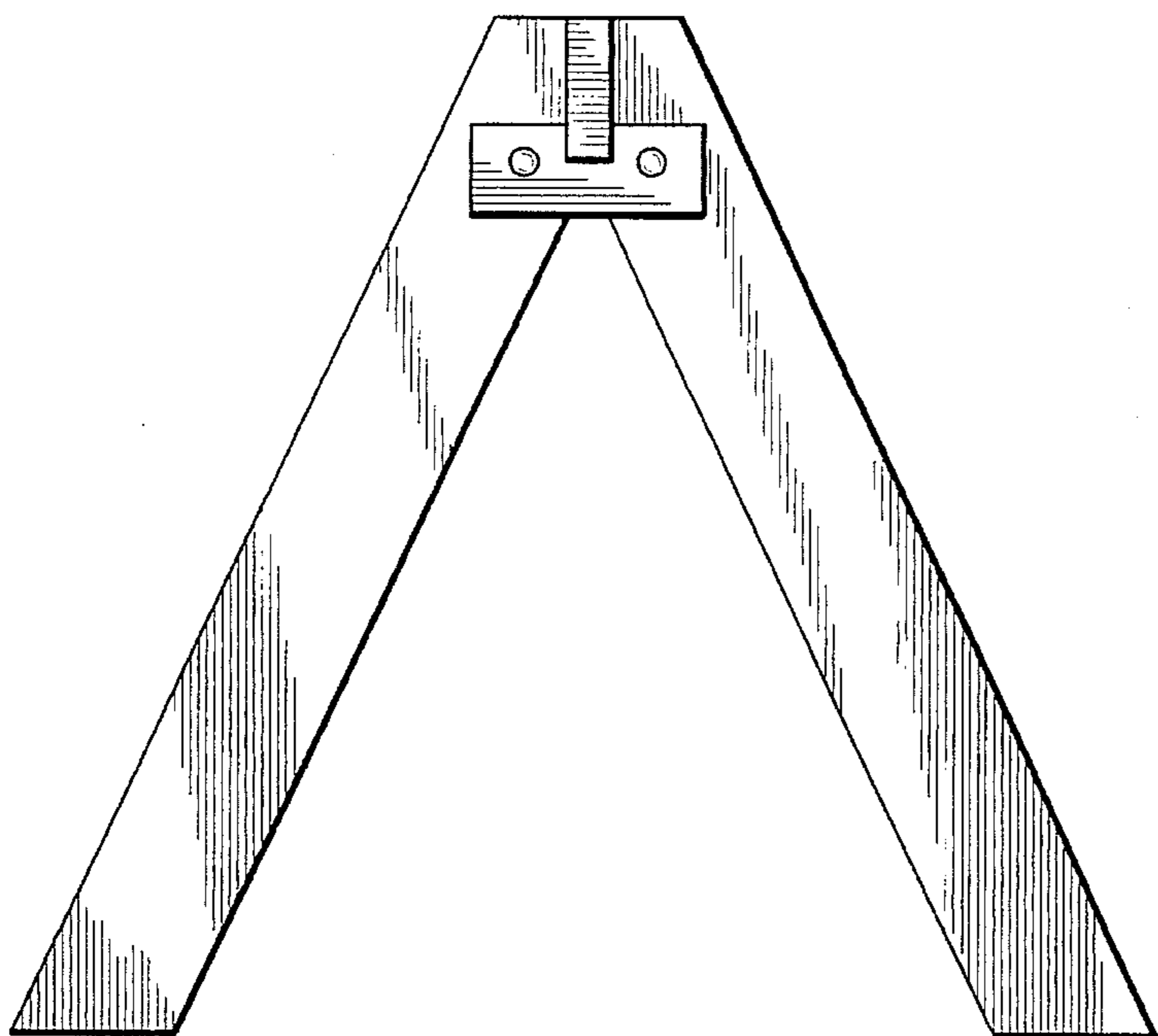


FIG. 4

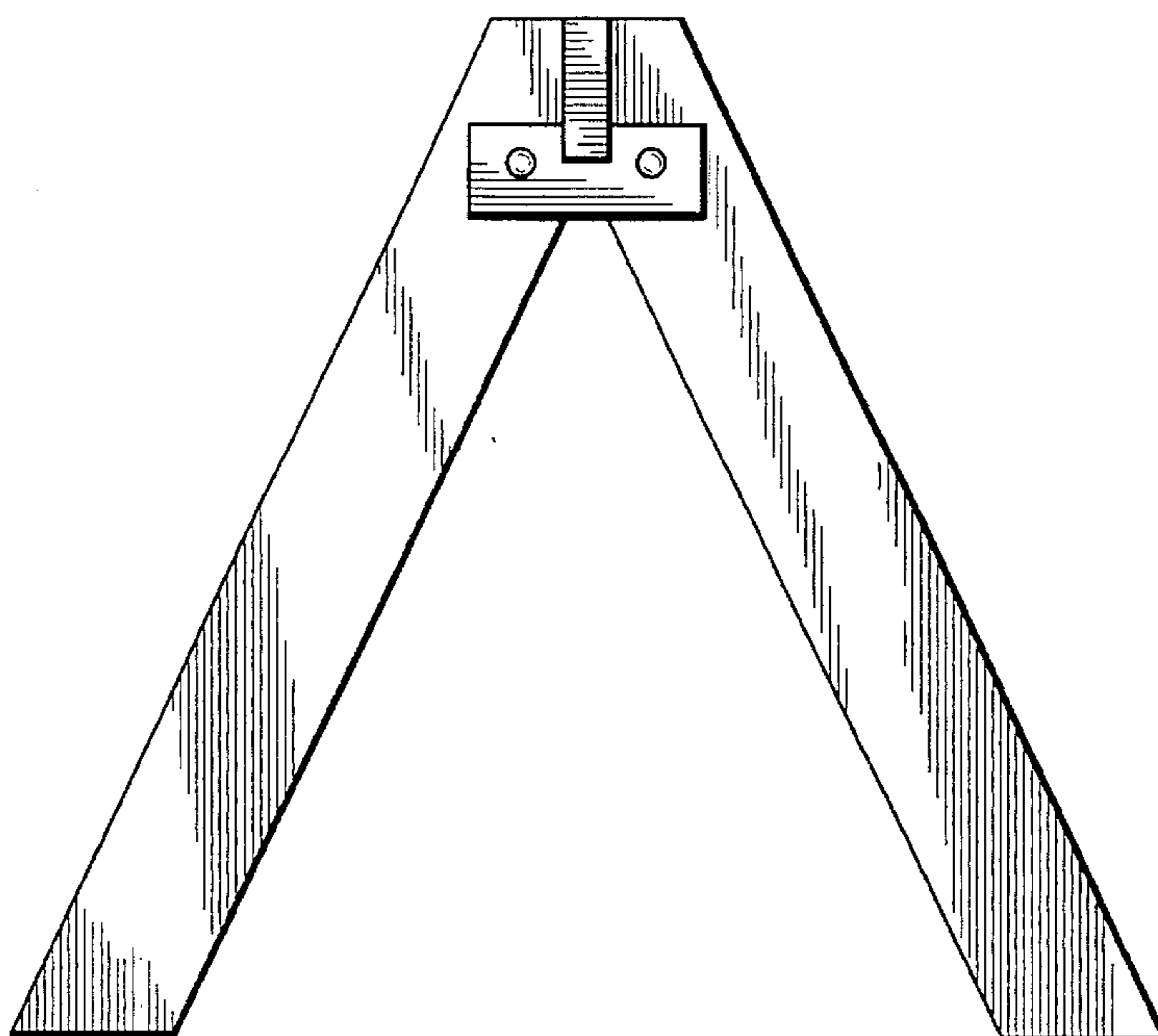


FIG. 5

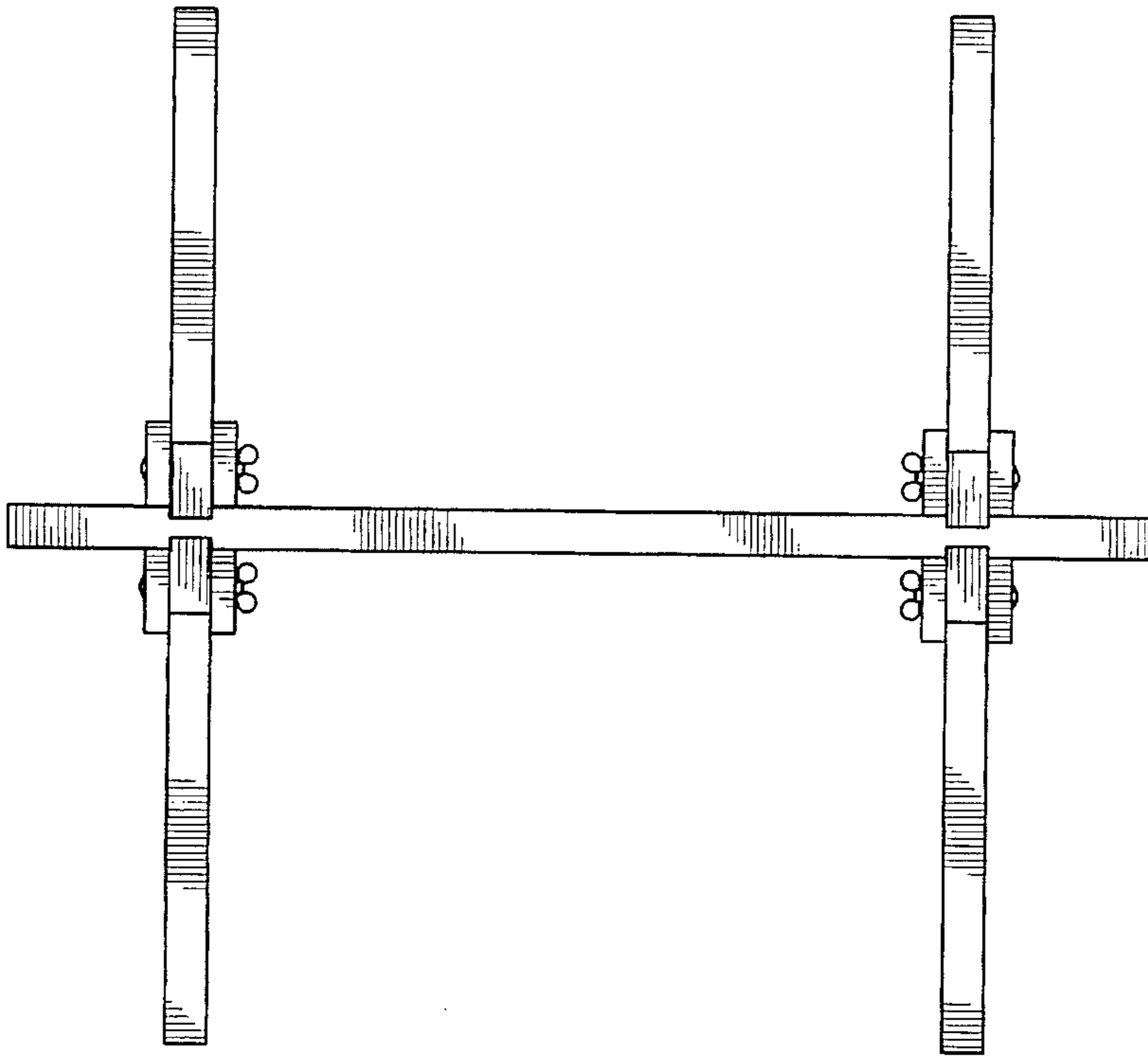


FIG. 6

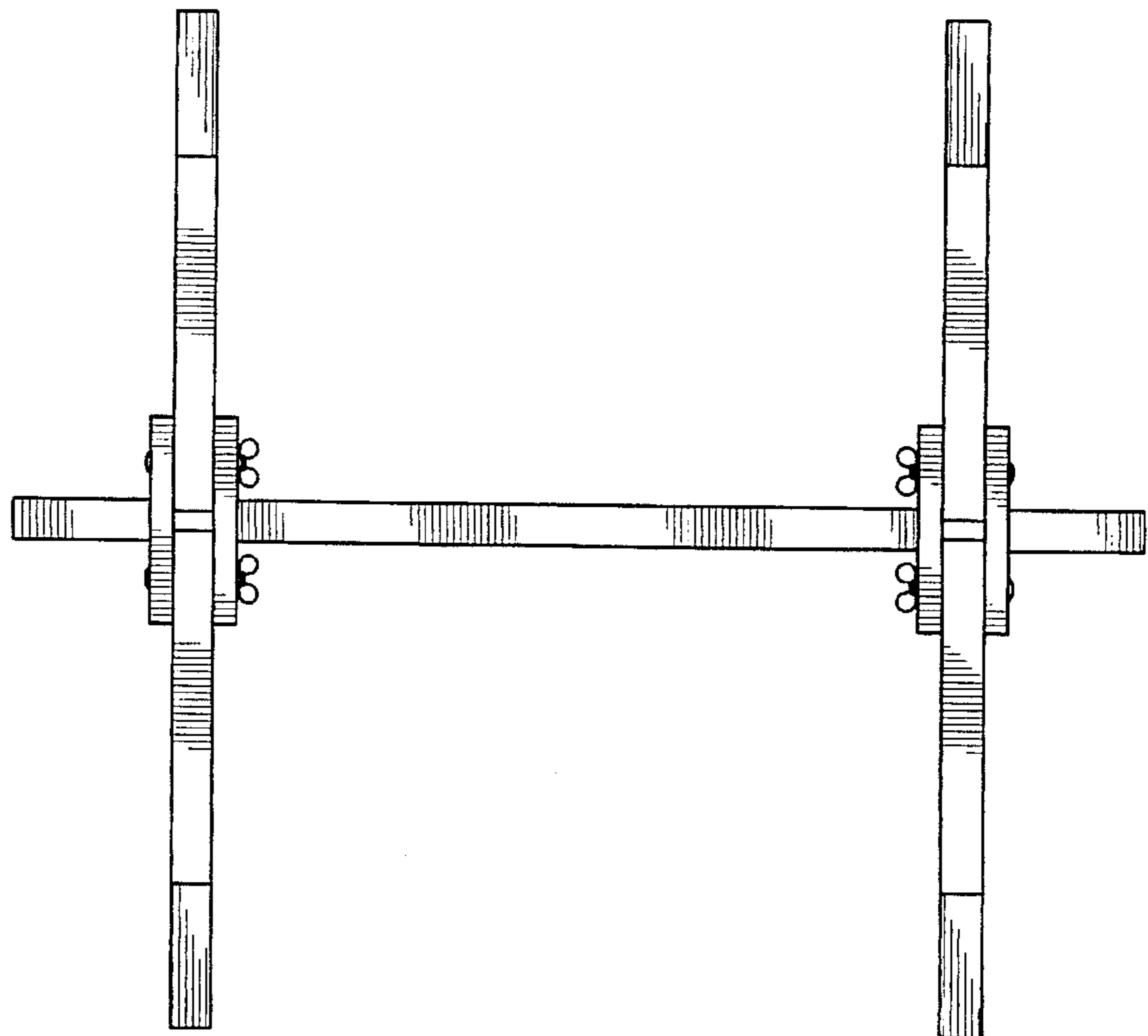


FIG. 7

