



US00D376655S

United States Patent [19]

[11] Patent Number: **Des. 376,655**

Lindsey

[45] Date of Patent: ****Dec. 17, 1996**

[54] ADJUSTABLE WINDOW SHIELD

[76] Inventor: **Margritte C. Lindsey**, P.O. Box 4814, Denver, Colo. 80204

[**] Term: **14 Years**

[21] Appl. No.: **36,669**

[22] Filed: **Mar. 24, 1995**

[52] U.S. Cl. **D25/54**

[58] Field of Search D25/53, 54; 52/107; 49/50, 57, 55

[56] References Cited

U.S. PATENT DOCUMENTS

D. 194,312	1/1963	Vaughan et al.	D25/54
2,334,482	11/1943	Davis	160/268.1
3,099,900	8/1963	Beet	D25/58
4,704,828	11/1987	Kemp	52/107

Primary Examiner—Doris Clark
Attorney, Agent, or Firm—Harold H. Dutton, Jr.; W. Charles L. Jamison; Diane F. Liebman

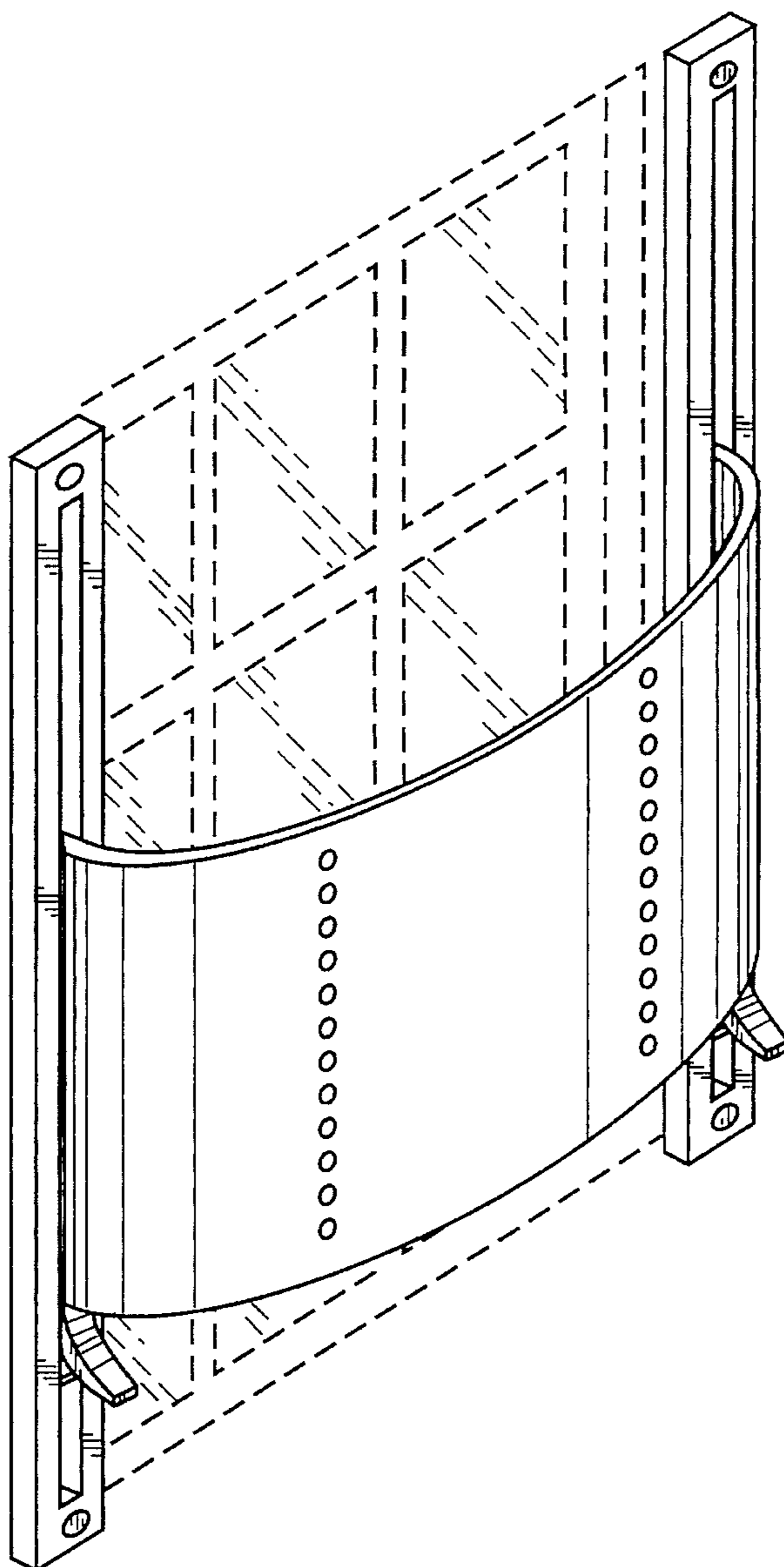
[57] CLAIM

The ornamental design for an adjustable window shield, as shown.

DESCRIPTION

FIG. 1 is a front perspective view of a adjustable window shield showing my new design; FIG. 2 is a rear view thereof; FIG. 3 is a left side view thereof; FIG. 4 is a top view thereof; and, FIG. 5 is a bottom view thereof. The broken line showing of a window is for illustrative purposes only and forms no part of the claimed design.

1 Claim, 3 Drawing Sheets



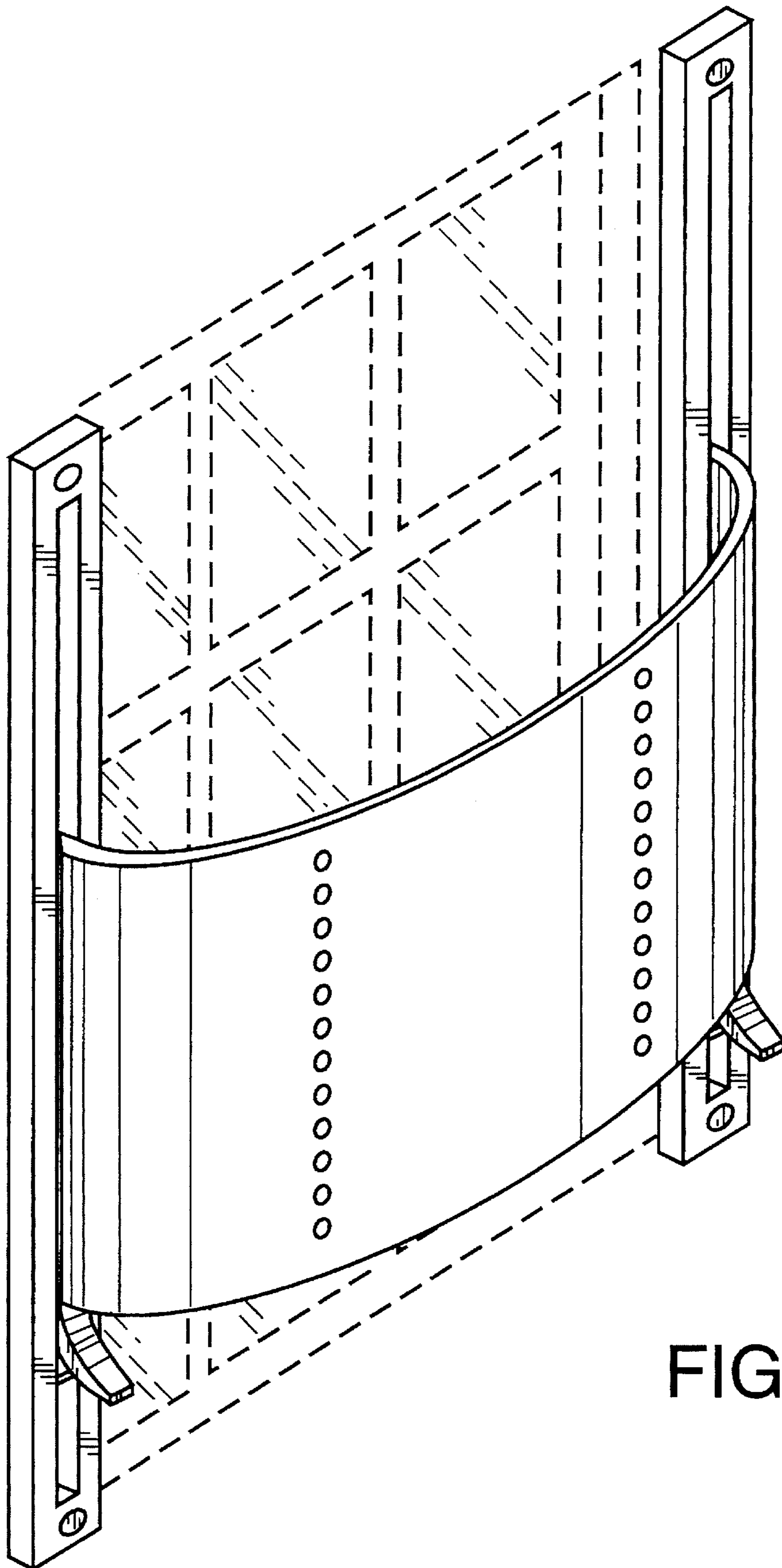


FIG. 1

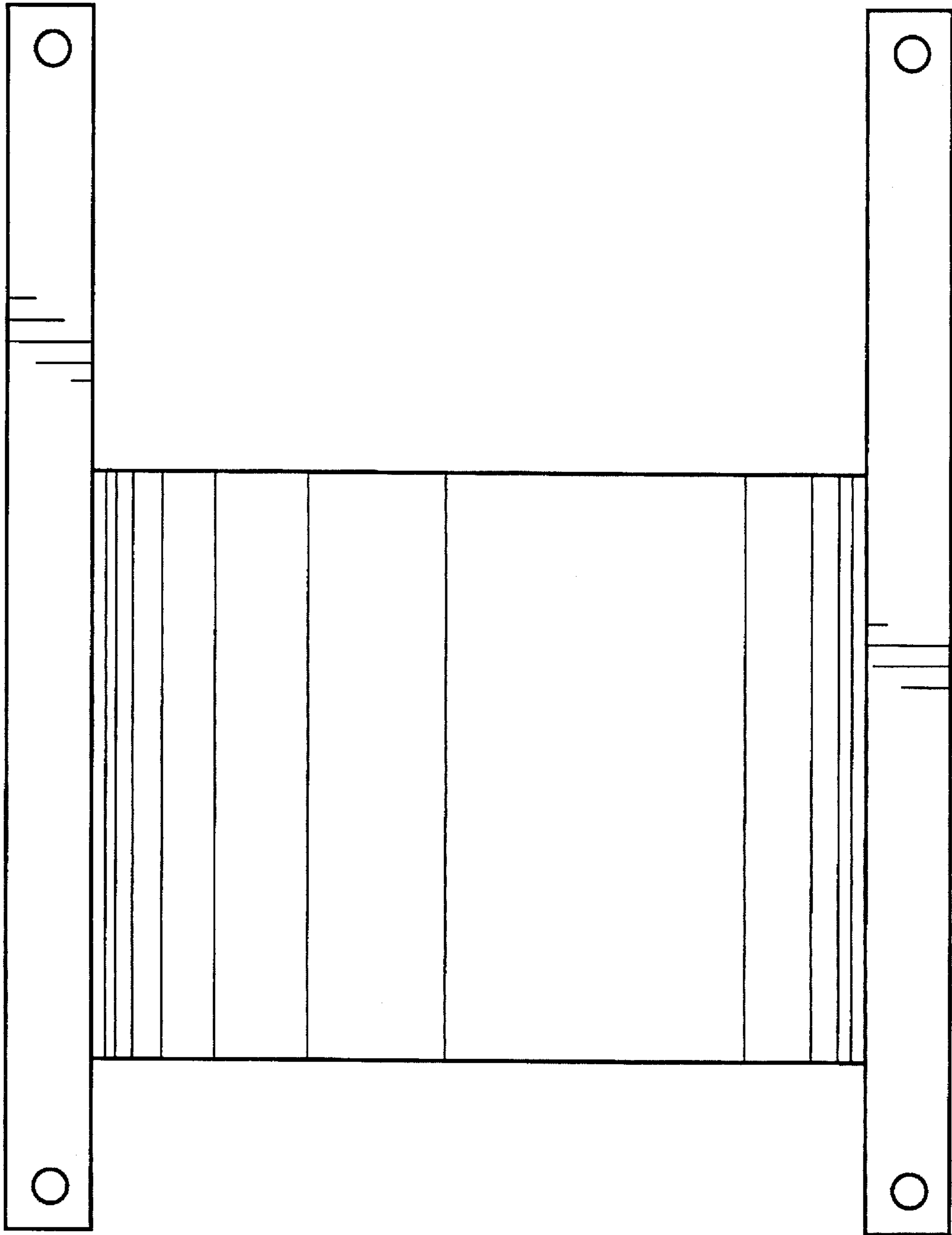


FIG. 2

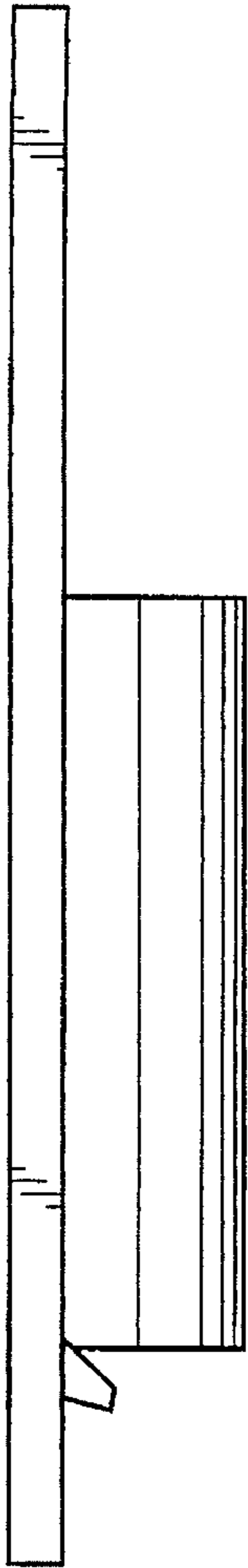


FIG. 3



FIG. 4

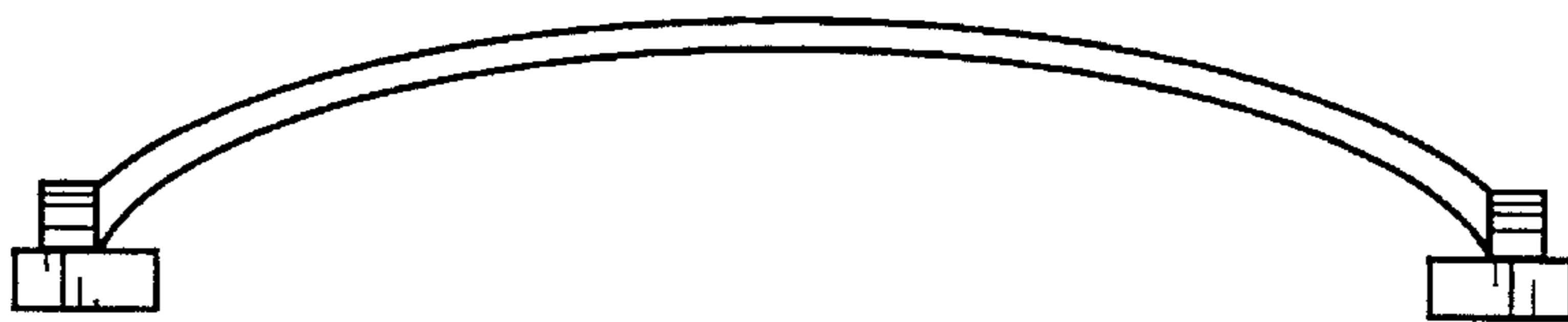


FIG. 5