



US00D376649S

# United States Patent [19] Kim

[11] Patent Number: **Des. 376,649**

[45] Date of Patent: **\*\*Dec. 17, 1996**

[54] **LANCET FOR EXSANGUINATION** 5,385,571 1/1995 Morita ..... 606/181

[75] Inventor: **Inhwan Kim**, Seongnam, Rep. of Korea

[73] Assignee: **Teramecs Co., Ltd.**, Osaka, Japan

[\*\*] Term: **14 Years**

[21] Appl. No.: **47,693**

[22] Filed: **Dec. 11, 1995**

[30] **Foreign Application Priority Data**

Jun. 14, 1995 [KR] Rep. of Korea ..... 1995-11540

[52] U.S. Cl. .... **D24/147; D24/146**

[58] Field of Search ..... D24/147, 146; 606/181, 184, 185, 182

*Primary Examiner*—Louis S. Zarfes  
*Assistant Examiner*—I. Simmons  
*Attorney, Agent, or Firm*—Darby & Darby, P.C.

[57] **CLAIM**

The ornamental design for a lancet for exsanguination, as shown and described.

**DESCRIPTION**

FIG. 1 is a top perspective view of a lancet for exsanguination showing my new design;  
 FIG. 2 is a top plan view thereof;  
 FIG. 3 is a front elevational view thereof, the rear elevational view being a mirror image of the front elevational view shown;  
 FIG. 4 is a bottom plan view thereof;  
 FIG. 5 is a left side elevational view thereof;  
 FIG. 6 is a right side elevational view thereof; and,  
 FIG. 7 is a top perspective view thereof with the shield removed, the broken line showing the needle is for illustrative purposes only and forms no part of the claimed design.

[56] **References Cited**

**U.S. PATENT DOCUMENTS**

D. 264,378	5/1982	Thomas et al. ....	D24/147
D. 323,556	1/1992	Migaguchi ....	D24/147
5,324,302	6/1994	Crouse ....	606/181
5,324,303	6/1994	Strung et al. ....	606/181

**1 Claim, 3 Drawing Sheets**

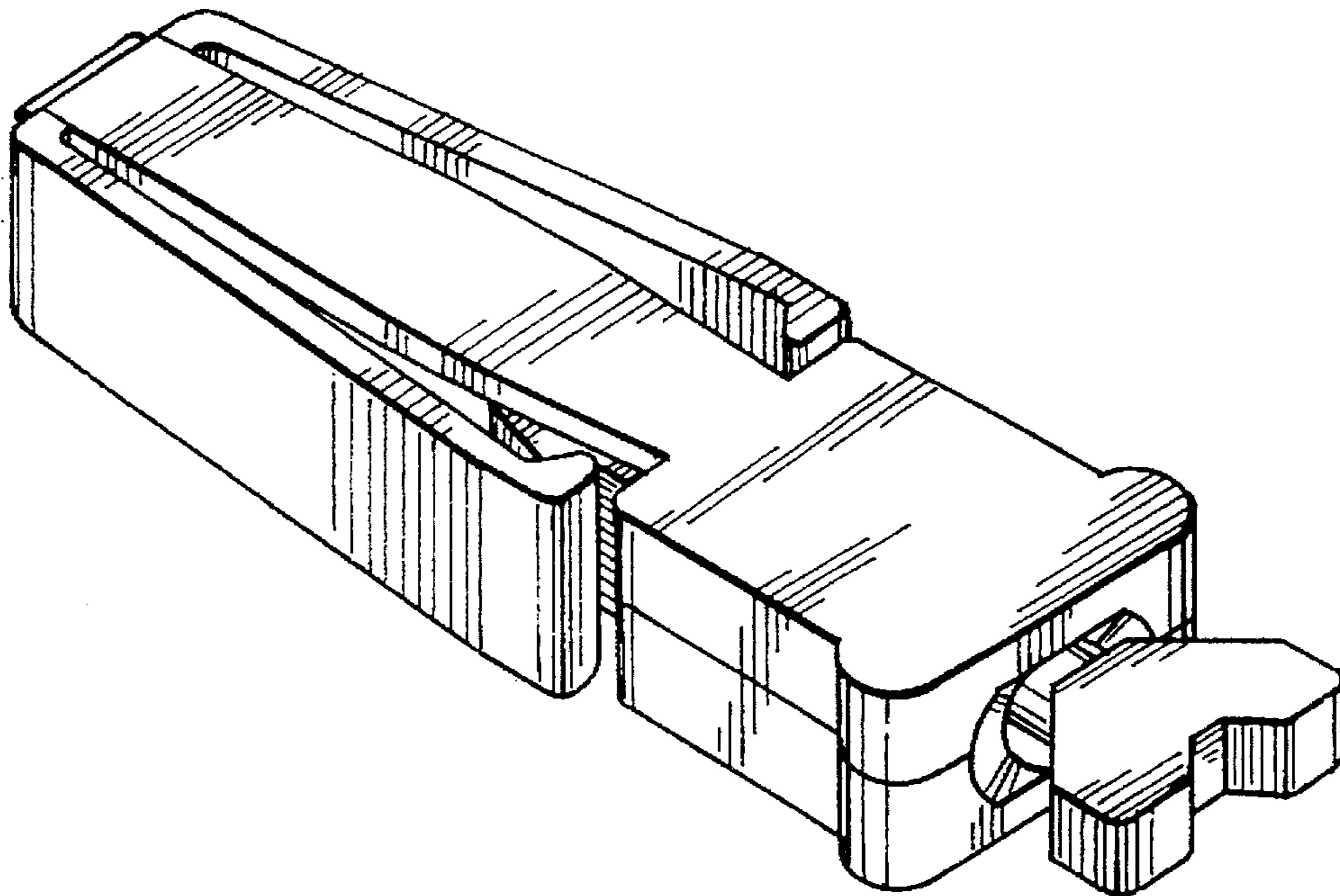


FIG. 1

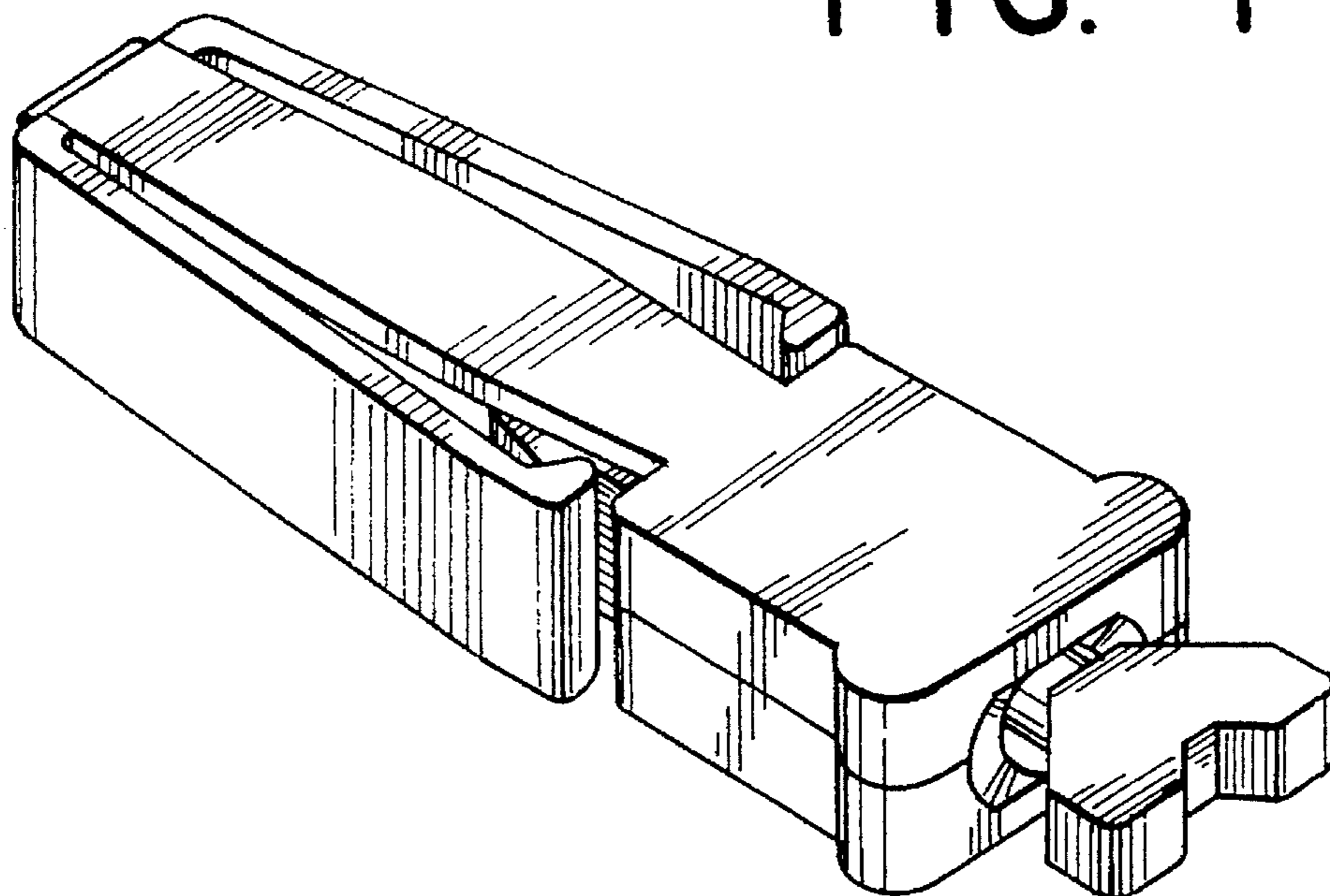


FIG. 2

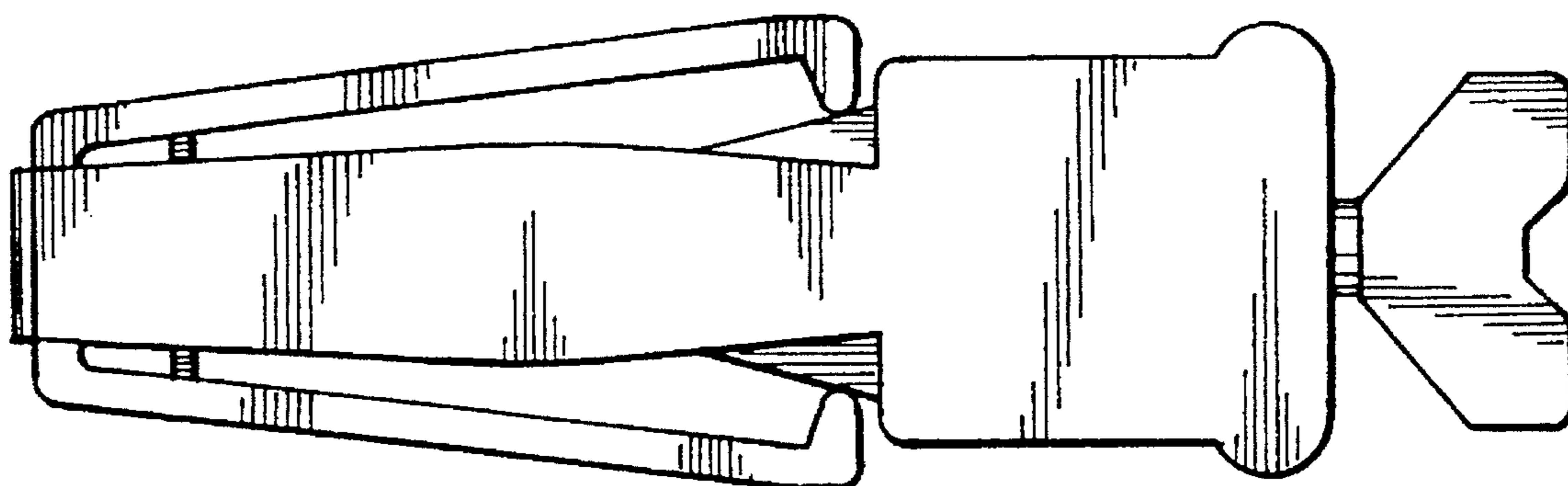


FIG. 3

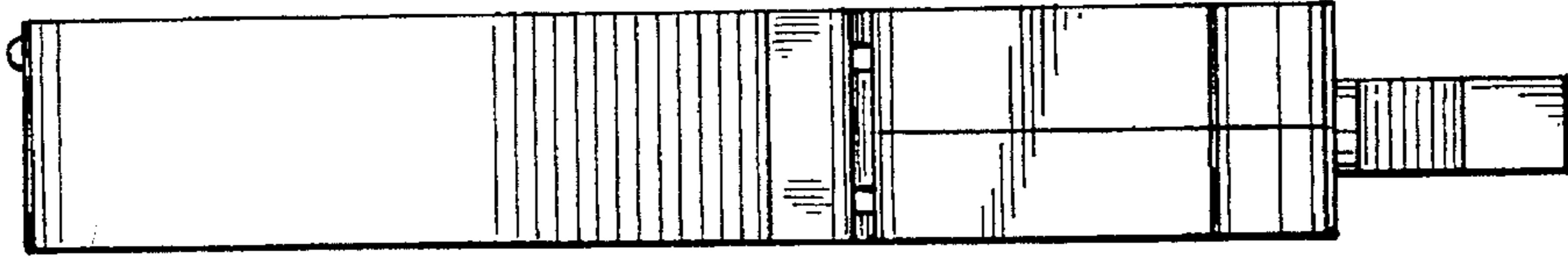


FIG. 4

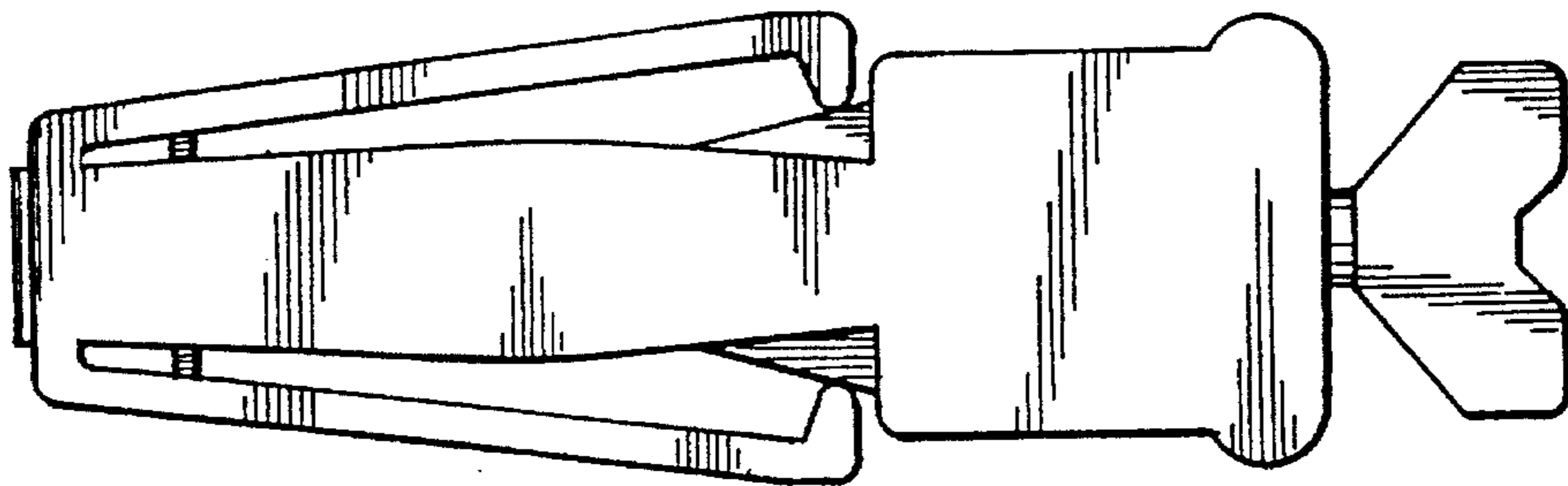


FIG. 5



FIG. 6

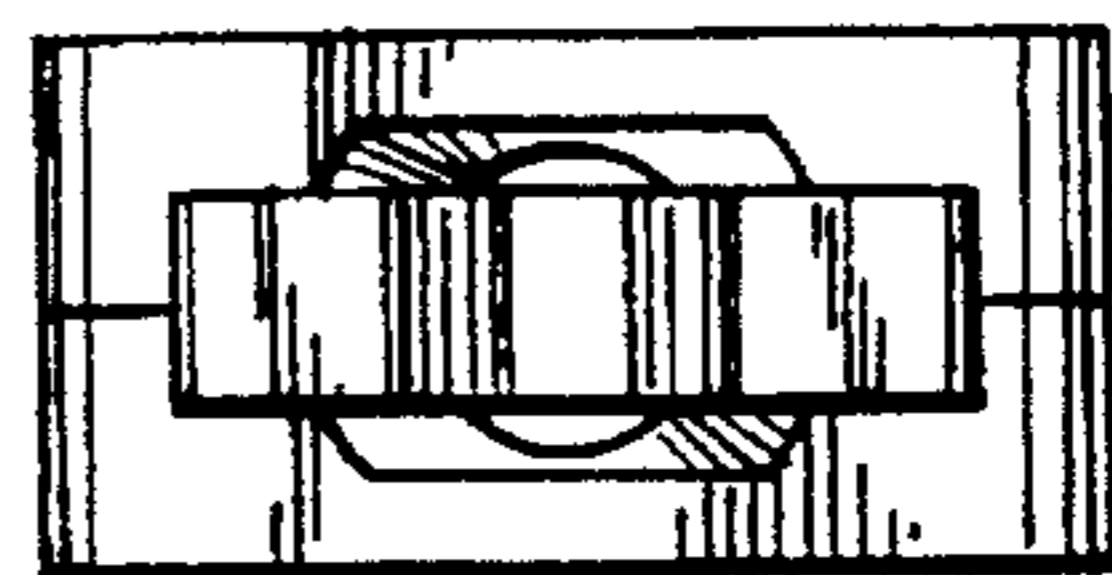


FIG. 7

