



US00D376646S

# United States Patent [19]

[11] Patent Number: **Des. 376,646**

**Vallelunga**

[45] Date of Patent: **\*\*Dec. 17, 1996**

[54] **SYRINGE SHIELD**

[75] Inventor: **Anthony J. Vallelunga**, Albany, N.Y.

[73] Assignee: **Unique Management Enterprises, Inc.**, Albany, N.Y.

[\*\*] Term: **14 Years**

[21] Appl. No.: **46,919**

[22] Filed: **Nov. 21, 1995**

[52] U.S. Cl. .... **D24/130**; D24/112

[58] Field of Search ..... D24/130, 112;  
604/192, 263, 198, 164

[56] **References Cited**

**U.S. PATENT DOCUMENTS**

D. 138,589	8/1944	Brandenburg .....	D24/114
D. 214,112	5/1989	Langdon .....	D24/130
4,840,185	6/1989	Hernandez .....	604/263 X
5,322,514	6/1994	Steube et al. ....	604/192 X
5,344,404	9/1994	Benson .....	604/192 X

*Primary Examiner*—Louis S. Zarfes  
*Assistant Examiner*—I. Simmon  
*Attorney, Agent, or Firm*—John A. Merecki

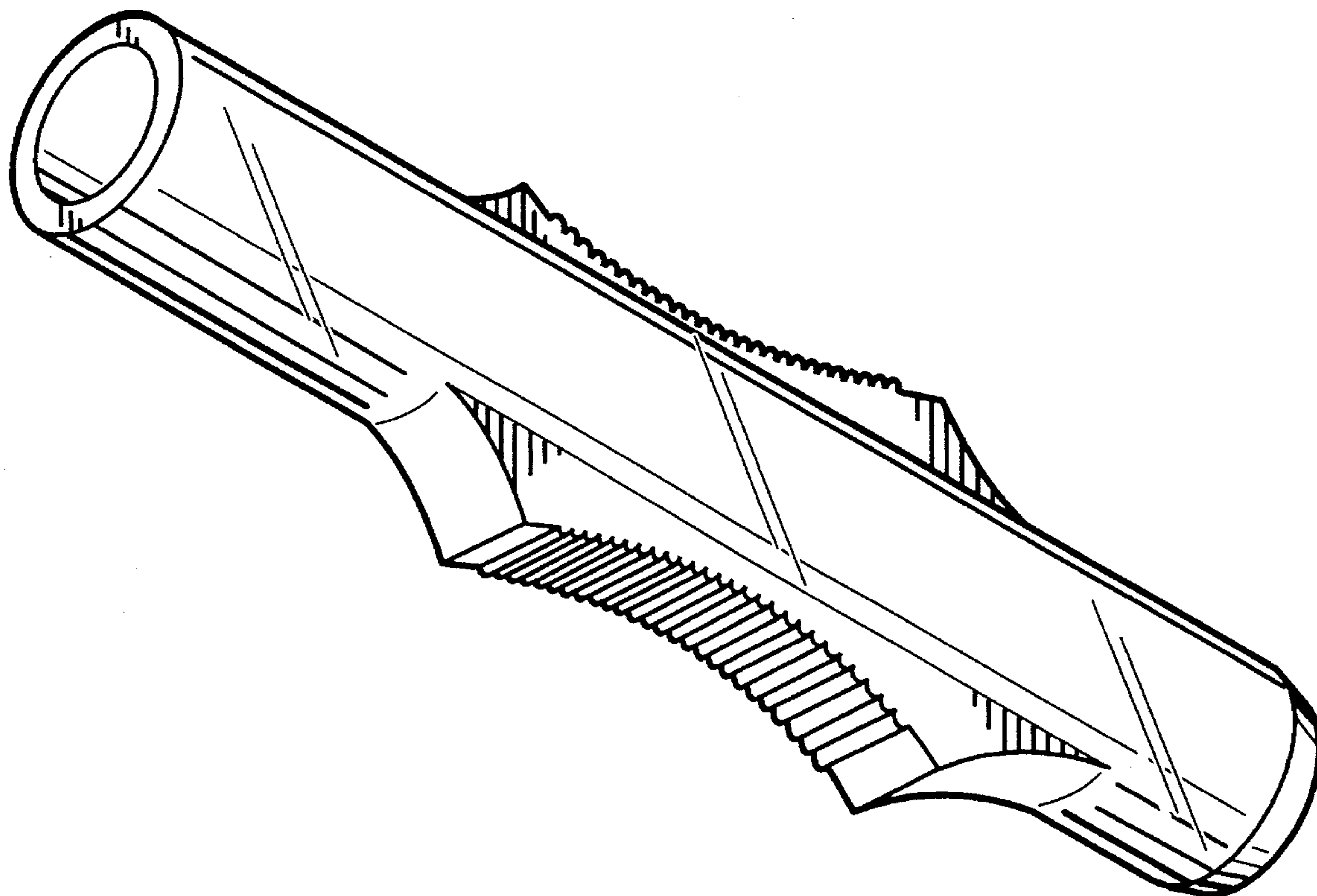
[57] **CLAIM**

The ornamental design for a syringe shield, as shown and described.

**DESCRIPTION**

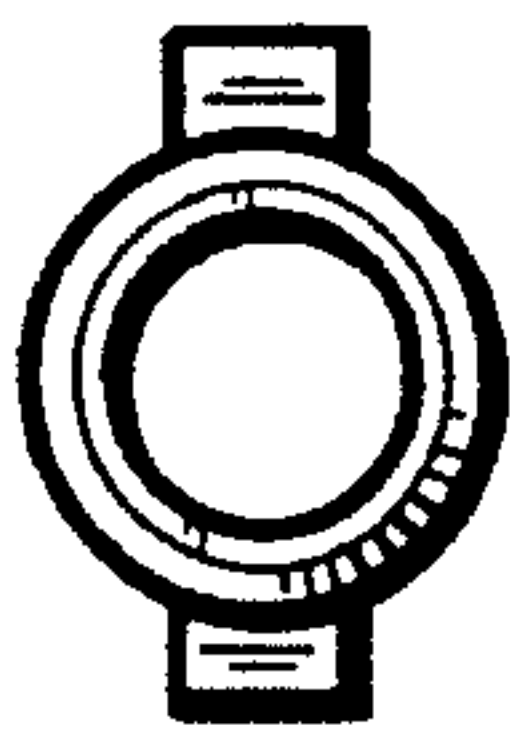
FIG. 1 is a top view of a syringe shield in accordance with the present invention;  
FIG. 2 is a side elevational view of the syringe shield of FIG. 1;  
FIG. 3 is an end view taken from the left side of the syringe shield of FIG. 1;  
FIG. 4 is an end view taken from the right side of the syringe shield of FIG. 1;  
FIG. 5 is a front perspective view taken from above the syringe shield; and  
FIG. 6 is a rear perspective view taken from below the syringe shield.

**1 Claim, 2 Drawing Sheets**

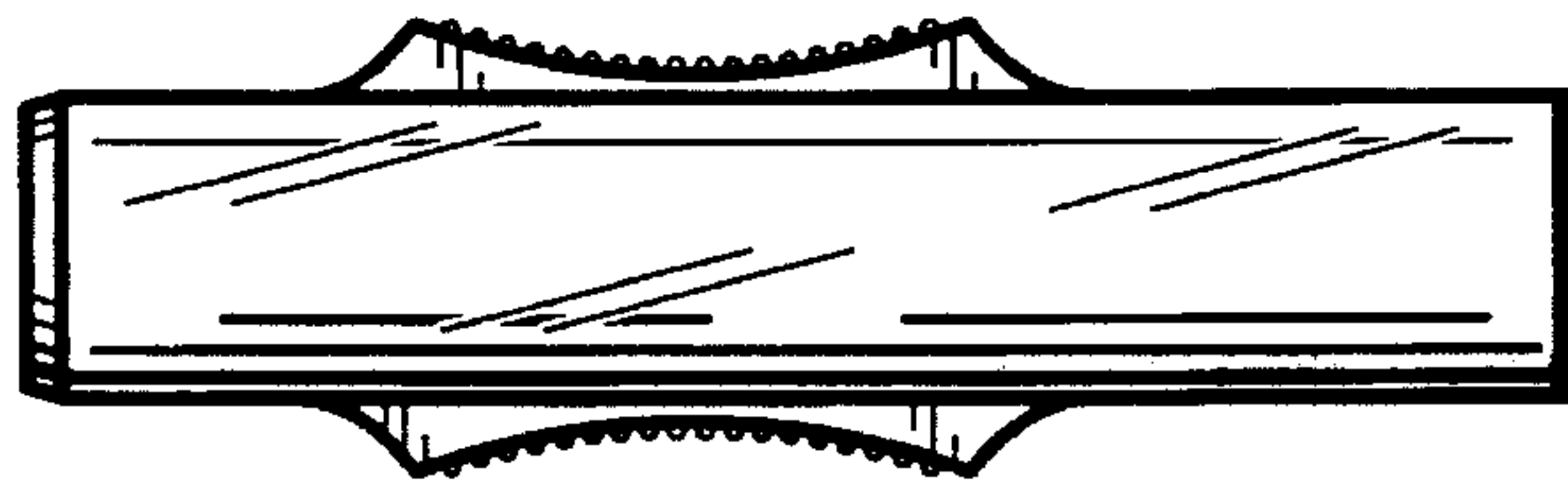




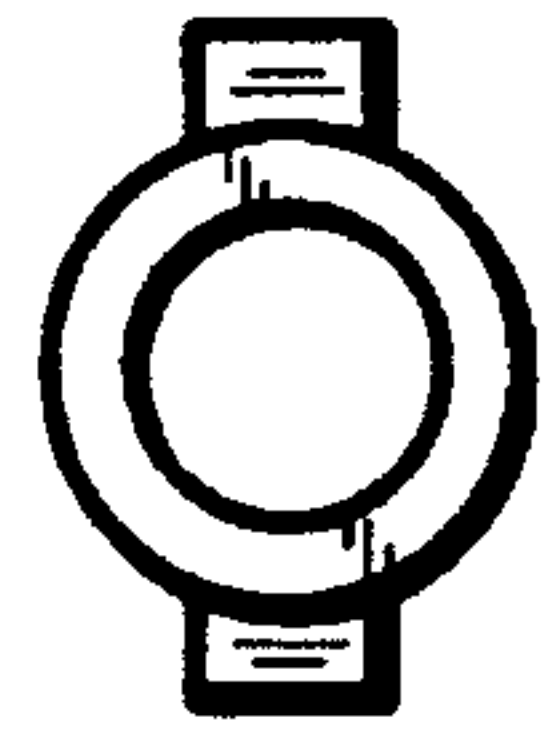
**FIG. 1**



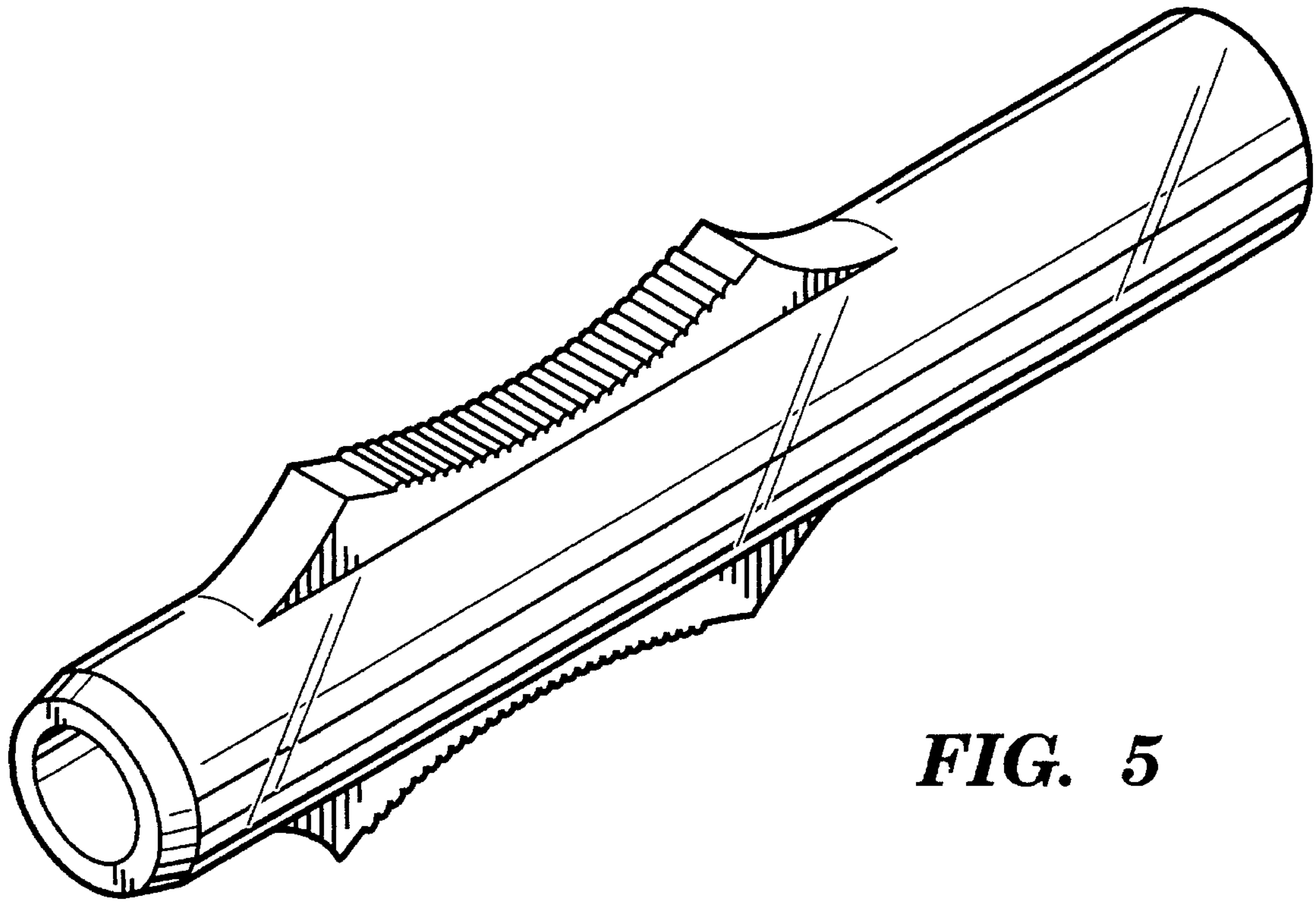
**FIG. 4**



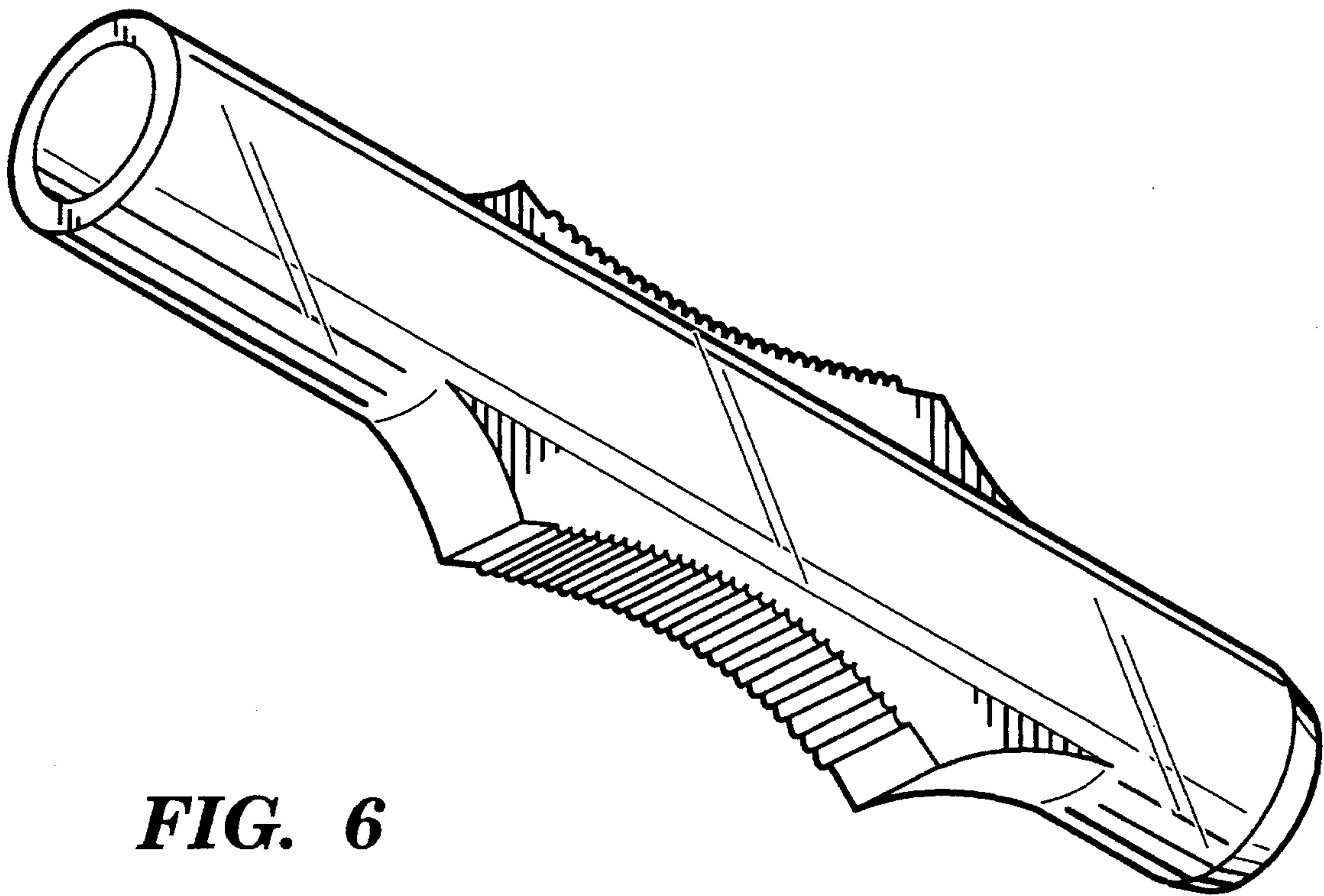
**FIG. 2**



**FIG. 3**



**FIG. 5**



**FIG. 6**