



US00D376645S

**United States Patent** [19]

[11] **Patent Number: Des. 376,645**

**Lindgren et al.**

[45] **Date of Patent: \*\*\*Dec. 17, 1996**

[54] **INFUSION CANNULA**

[75] Inventors: **Lars Lindgren**, Helsingborg; **Sten Persson**, Arild, both of Sweden

[73] Assignee: **Viggo-Spectramed AB**, Helsingborg, Sweden

[\*] Notice: The portion of the term of this patent subsequent to Dec. 3, 2010, has been disclaimed.

[\*\*] Term: **14 Years**

[21] Appl. No.: **12,604**

[22] Filed: **Aug. 6, 1993**

[30] **Foreign Application Priority Data**

Feb. 8, 1993 [SE] Sweden ..... 930326

[52] **U.S. Cl.** ..... **D24/112**

[58] **Field of Search** ..... D24/108, 112, D24/130, 146; 604/162, 168, 192, 198, 263, 900, 158, 164, 165

[56] **References Cited**

**U.S. PATENT DOCUMENTS**

D. 250,349	11/1978	McFarlane	.....	D24/112
4,445,893	5/1984	Bodicky	.....	604/165
4,846,805	7/1989	Sitar	.....	604/165
4,863,432	9/1989	Kualo	.....	604/164 X
4,952,207	8/1990	Lemieux	.....	604/164
5,000,740	3/1991	Ducharme et al.	.....	604/162
5,026,351	6/1991	Dizon	.....	604/164
5,053,014	10/1991	Van Heugten	.....	604/167
5,215,528	6/1993	Purdy et al.	.....	604/164

*Primary Examiner*—Louis S. Zarfaz

*Assistant Examiner*—I. Simmons

*Attorney, Agent, or Firm*—Browdy and Neimark

[57] **CLAIM**

The ornamental design for an "infusion cannula", as shown and described.

**DESCRIPTION**

FIG. 1 is a perspective view of a transparent infusion

cannula showing our new design;

FIG. 2 is a perspective view of a non-transparent infusion cannula showing our new design;

FIG. 3 is a perspective view of the infusion cannula of FIG. 2 shown with the protective cap removed;

FIG. 4 is a perspective view of the infusion cannula of FIG. 2 showing the protective cap, sheathing and cannula in disassembled condition;

FIG. 5 is a front and back elevation view of the infusion cannula of FIG. 1;

FIG. 6 is a front and back elevation view of the infusion cannula of FIGS. 1 and 5 shown with the protective cap removed;

FIG. 7 is a front and back elevation view of the infusion cannula of FIG. 2;

FIG. 8 is an exploded view of the infusion cannula of FIG. 7 showing the protective cap, sheathing and cannula in disassembled condition;

FIG. 9 is a left and right elevation view of the infusion cannula of FIGS. 1 and 5;

FIG. 10 is an elevation view of the infusion cannula of FIGS. 1, 5 and 9 with the protective cap removed;

FIG. 11 is a left and right side elevation view of the infusion cannula of FIGS. 2 and 7;

FIG. 12 is an exploded view of the infusion cannula of FIG. 11 showing the protective cap, sheathing and cannula in disassembled condition;

FIG. 13 is a top end view of the infusion cannula of FIG. 1;

FIG. 14 is a top end view of the protective cap of the infusion cannula of FIGS. 1, 5 and 6;

FIG. 15 is a bottom end view of the protective cap of the infusion cannula of FIG. 14;

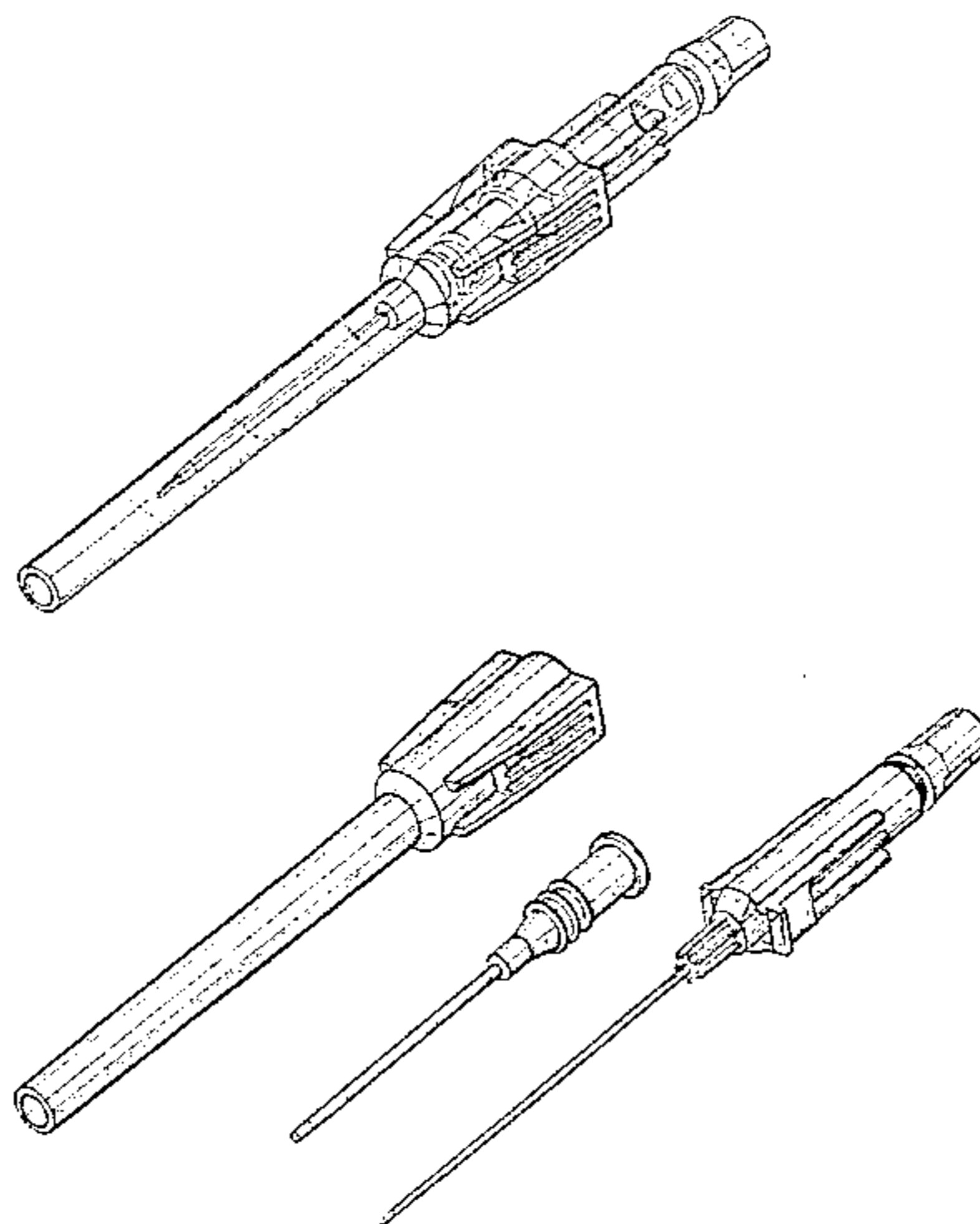
FIG. 16 is a top end view of the infusion cannula of FIG. 2;

FIG. 17 is a top end view of the sheathing of the infusion cannula of FIG. 8;

FIG. 18 is a top end view of the cap of the infusion cannula of FIG. 2; and,

FIG. 19 is a bottom end view of the cap of FIG. 18.

**1 Claim, 9 Drawing Sheets**



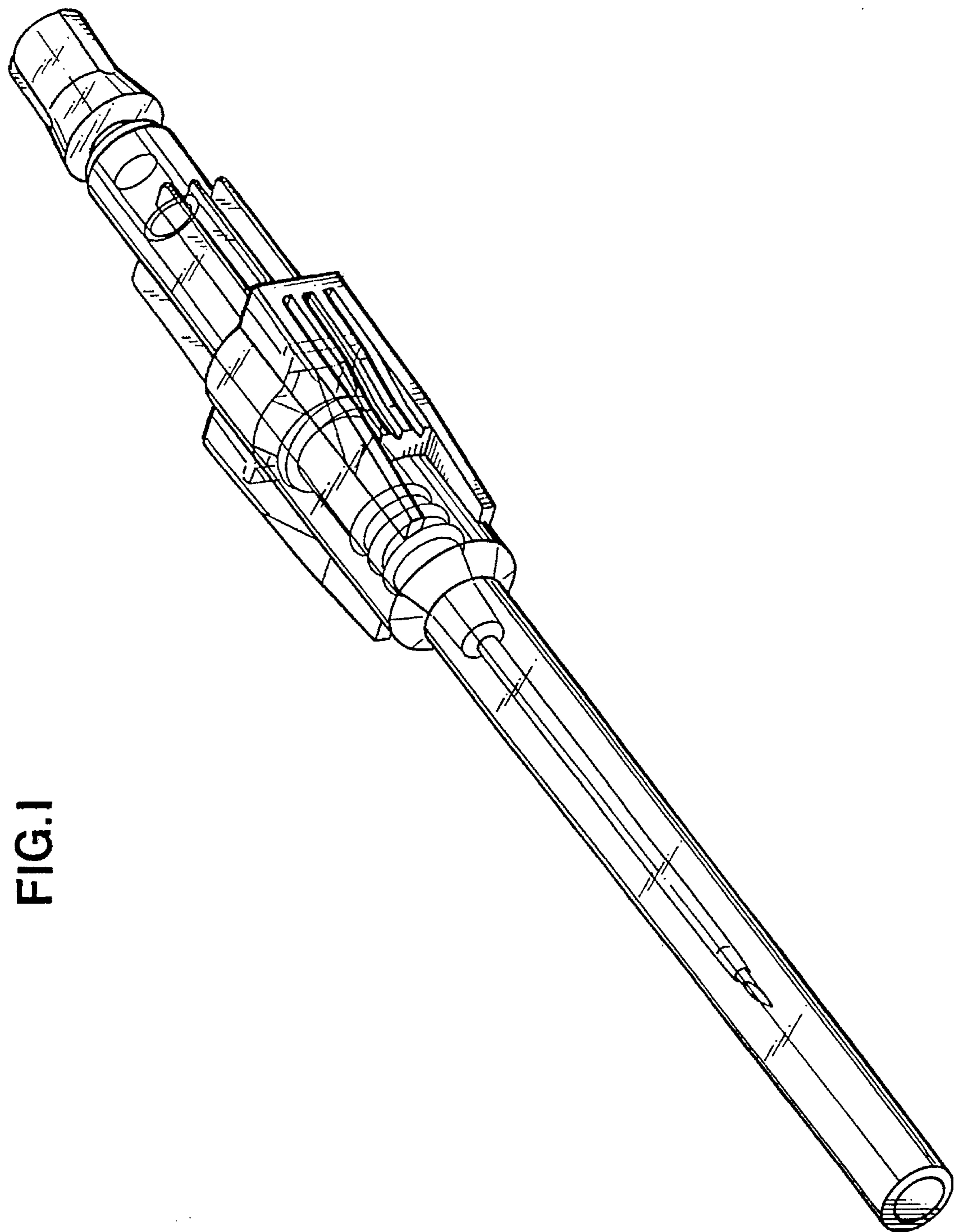


FIG. 1

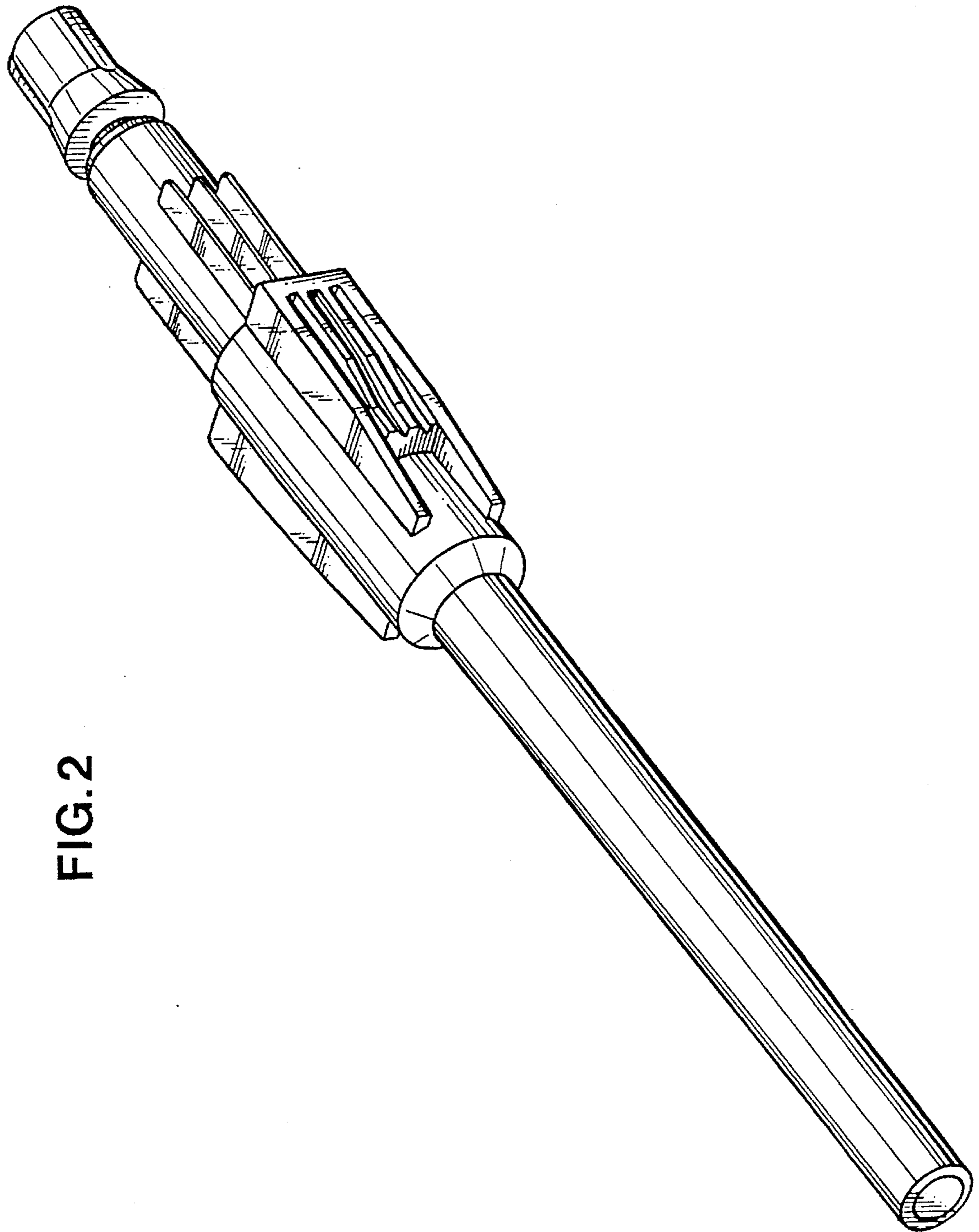


FIG. 2

FIG. 3

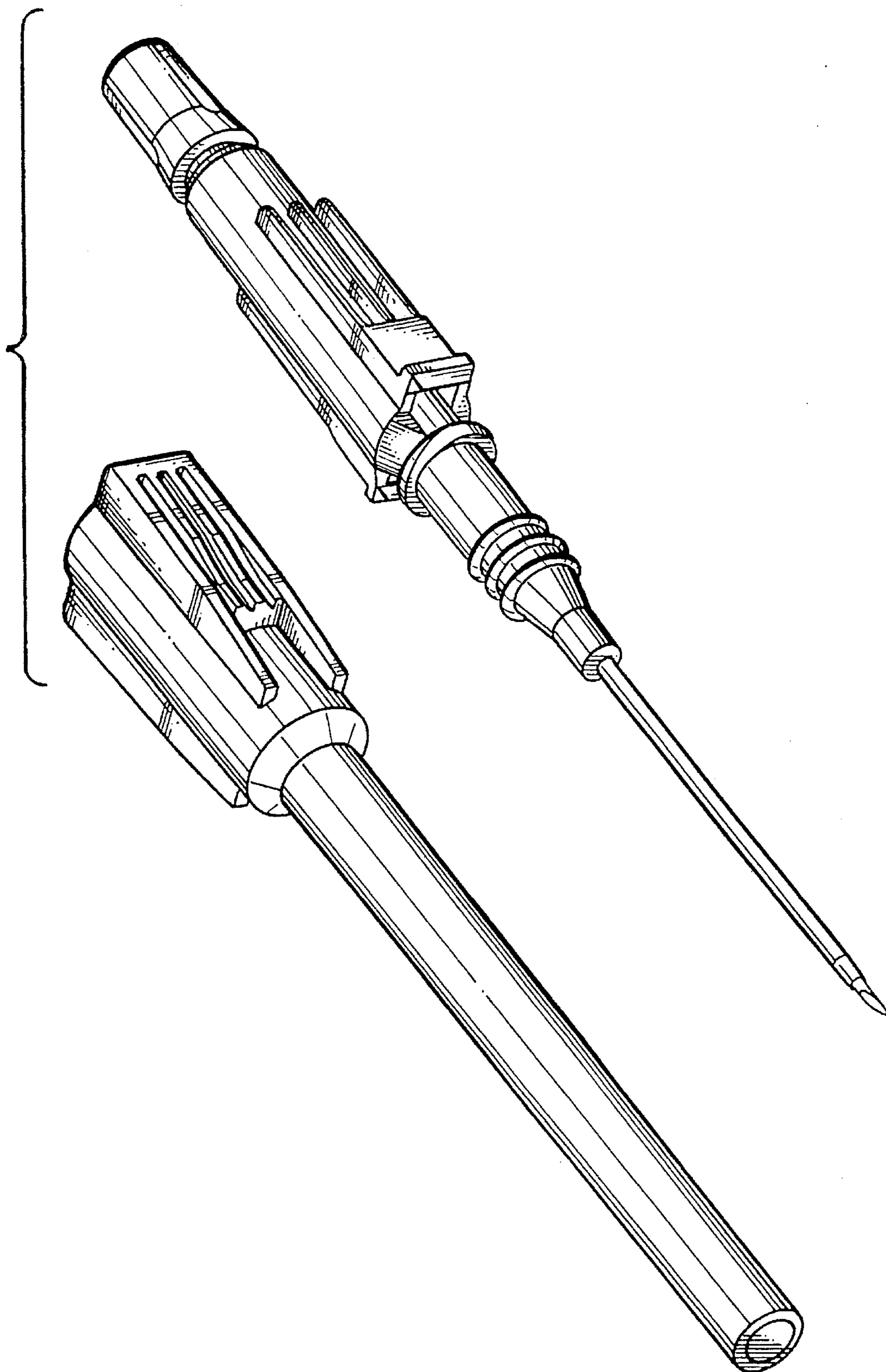


FIG. 4

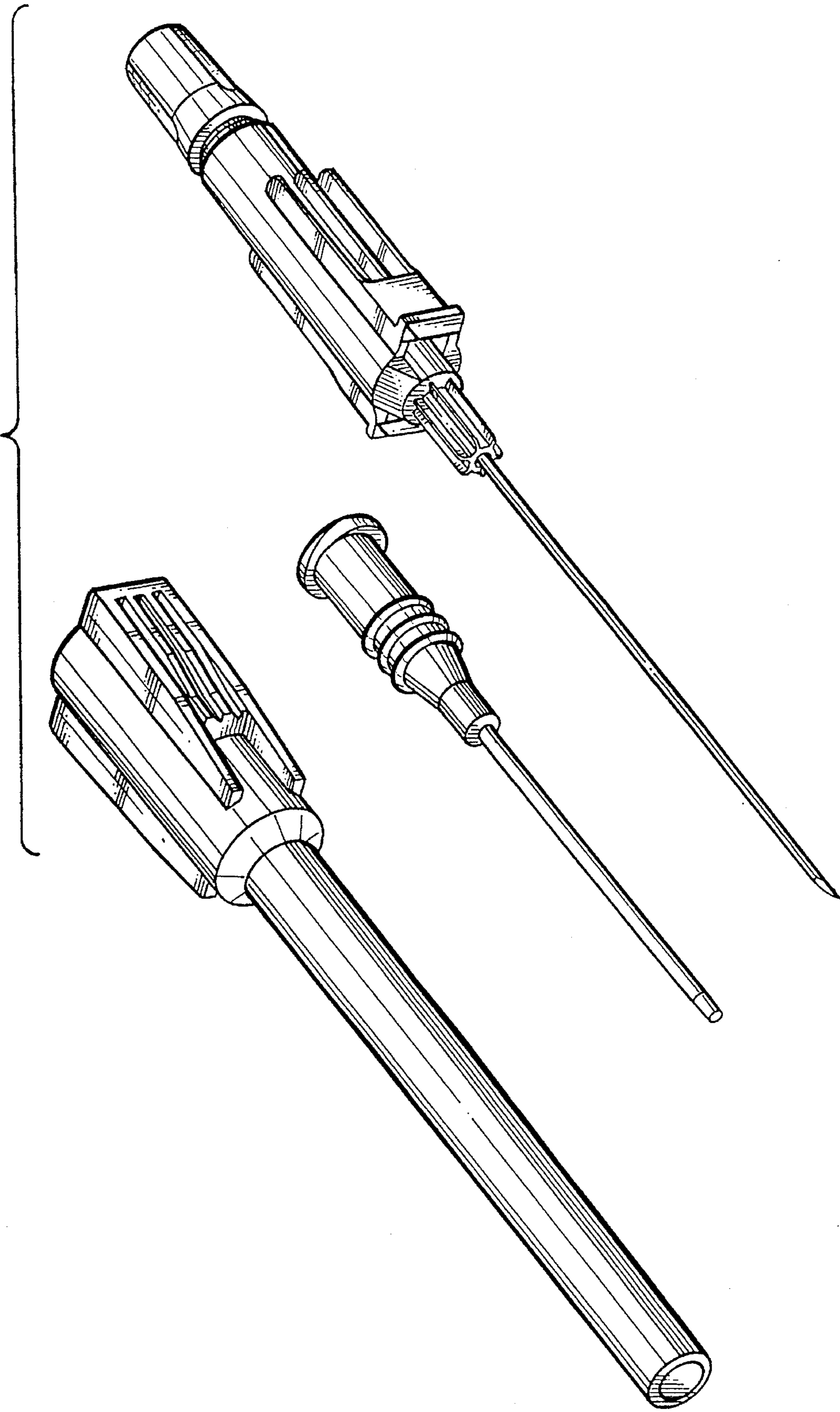


FIG. 5

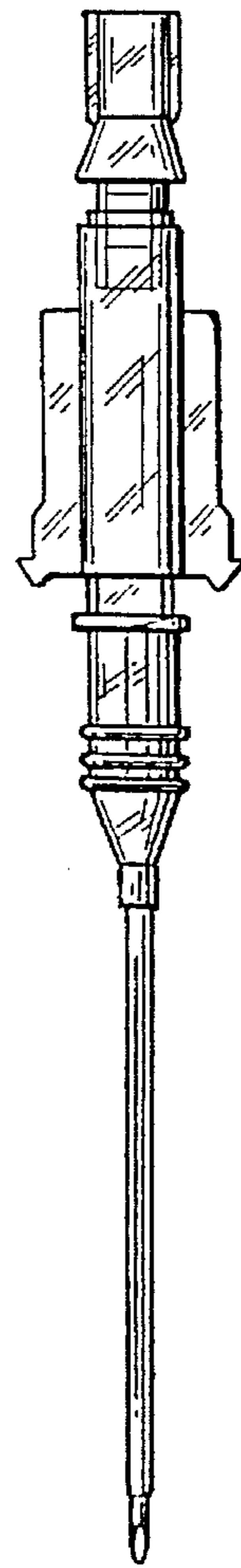
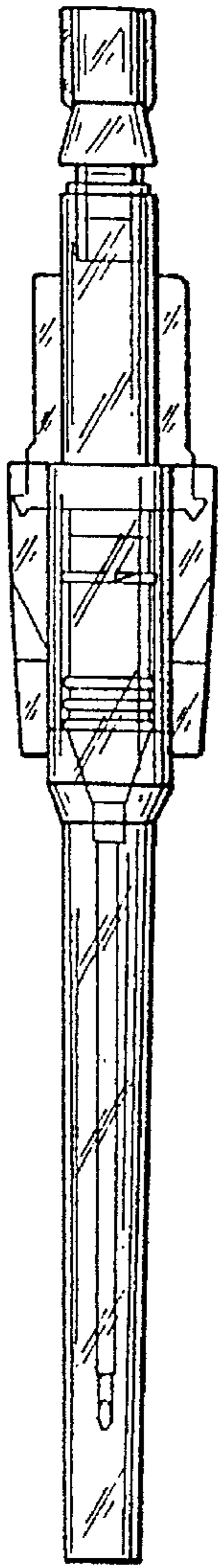


FIG. 6

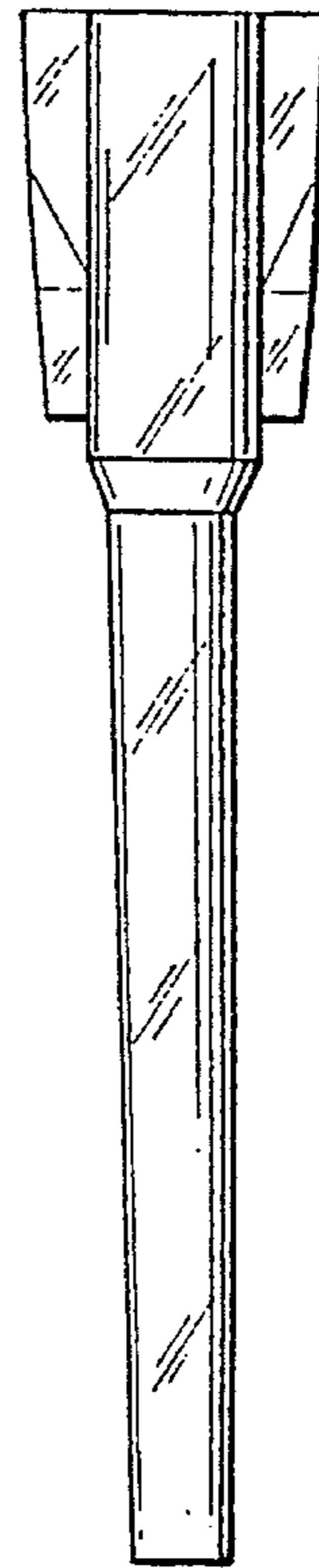


FIG. 7

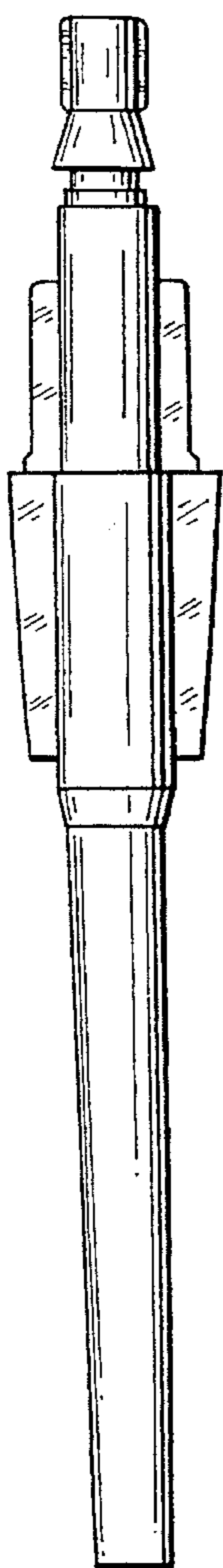


FIG. 8

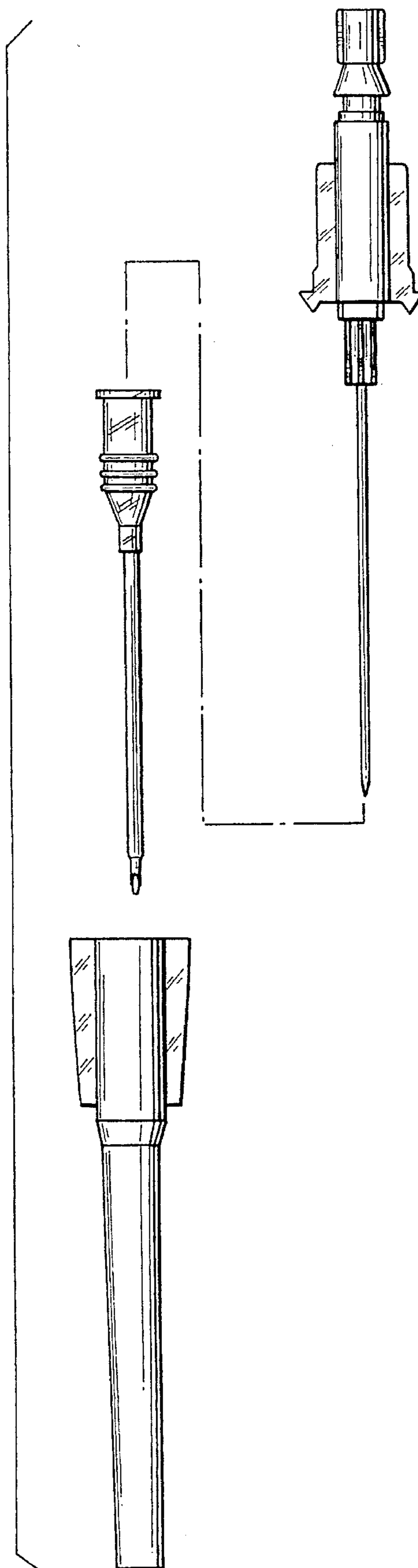


FIG. 9

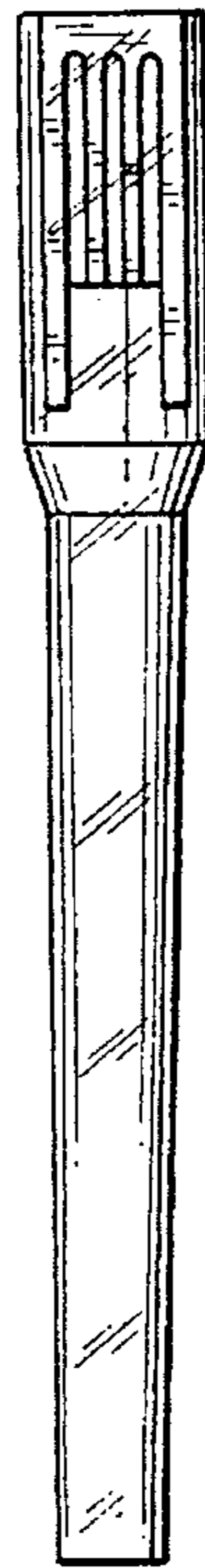
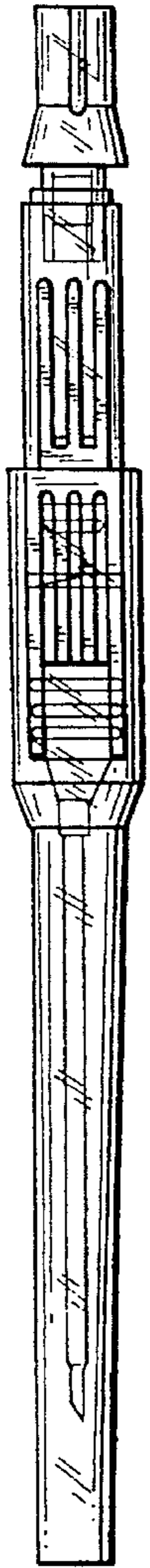


FIG. 10



FIG. 11

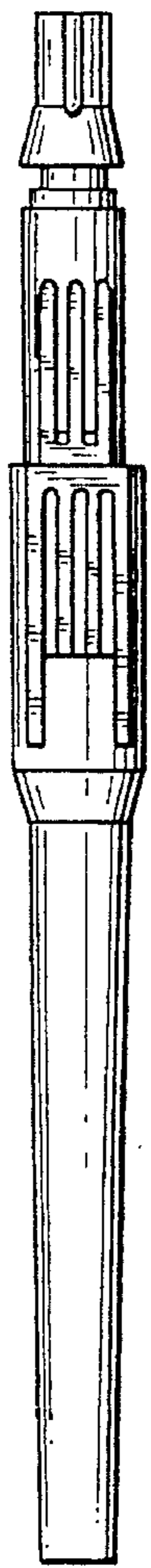


FIG. 12

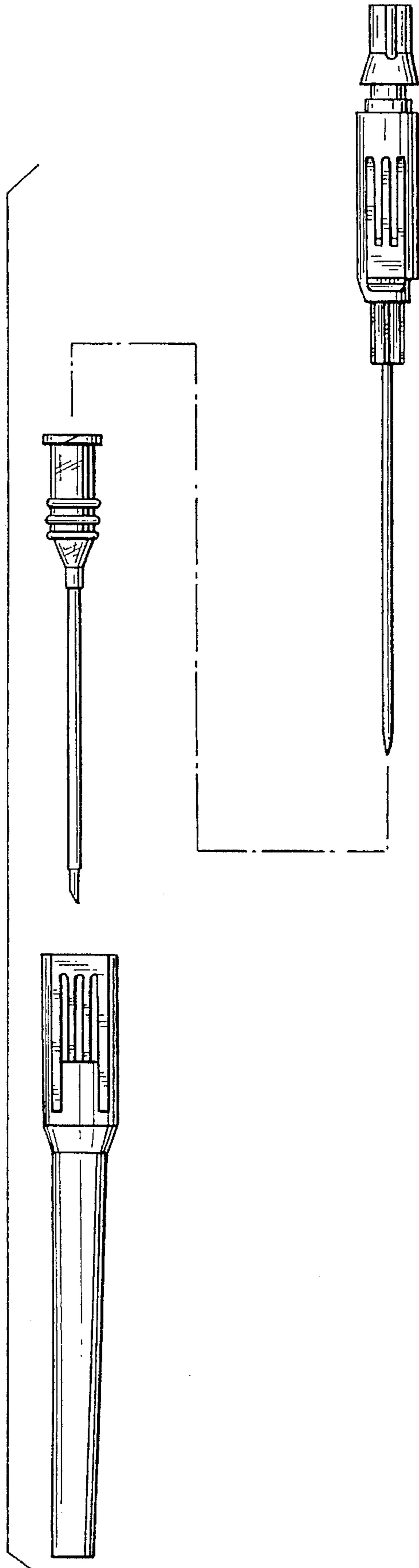


FIG. 13

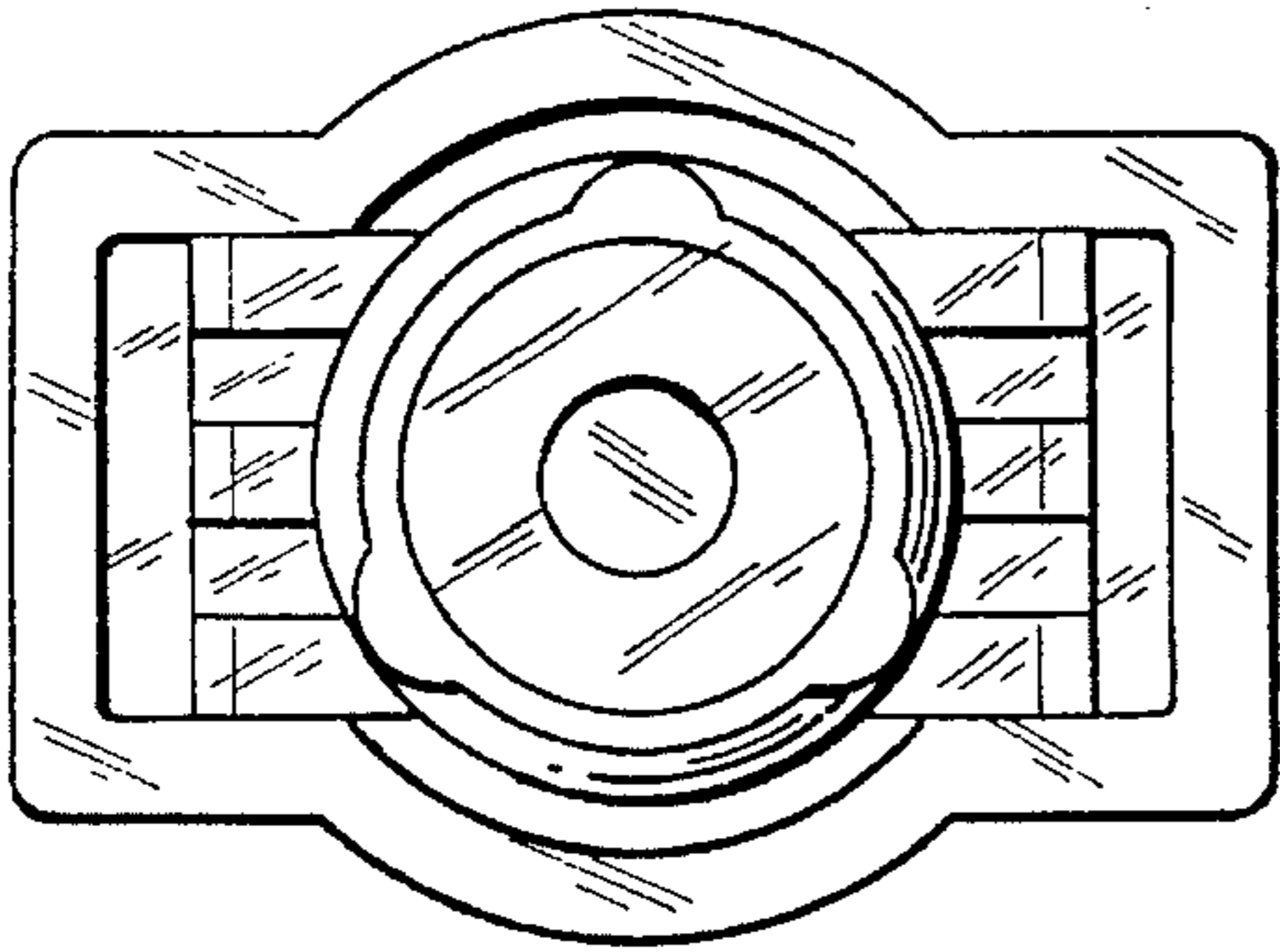


FIG. 14

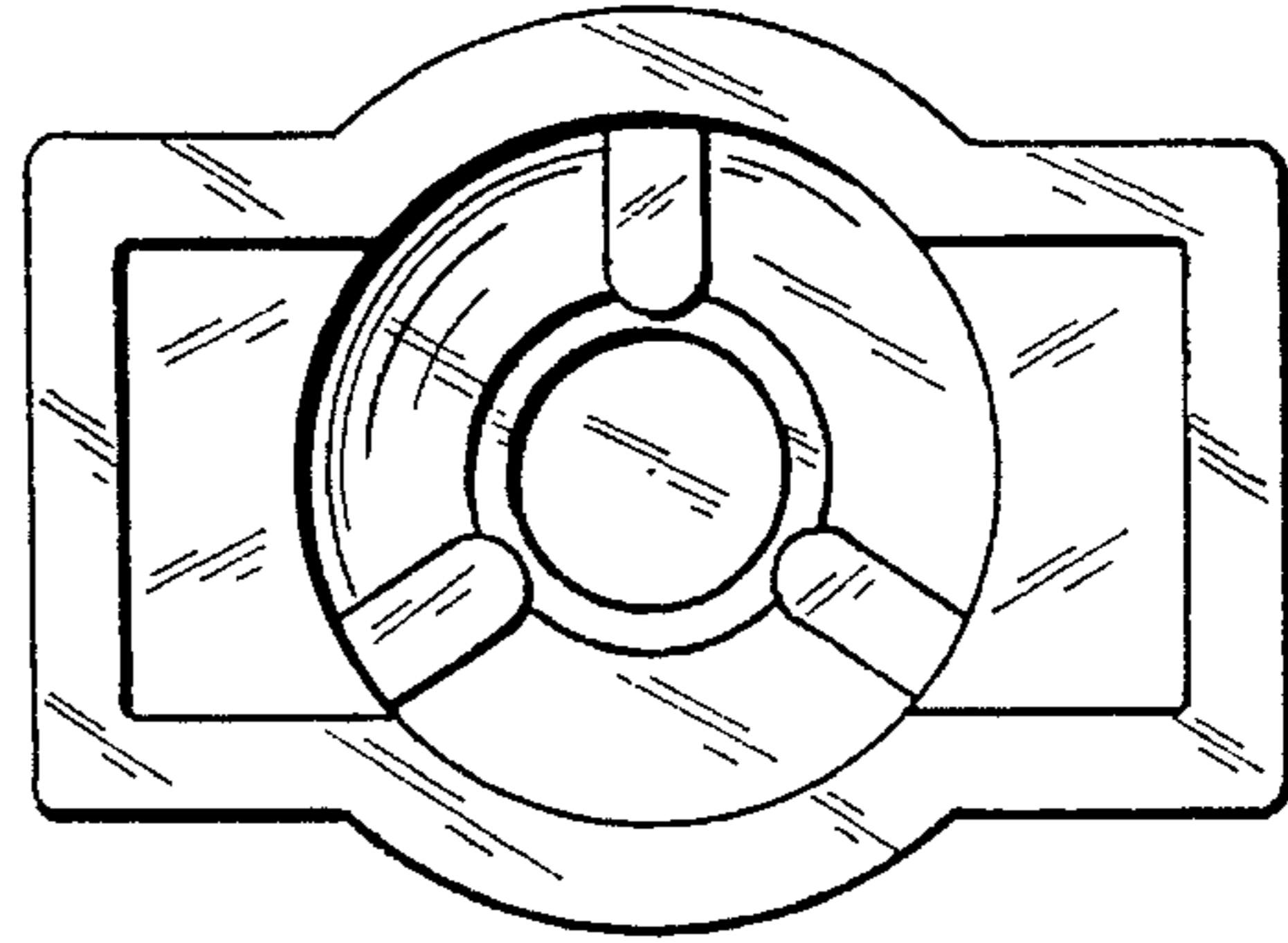


FIG. 15

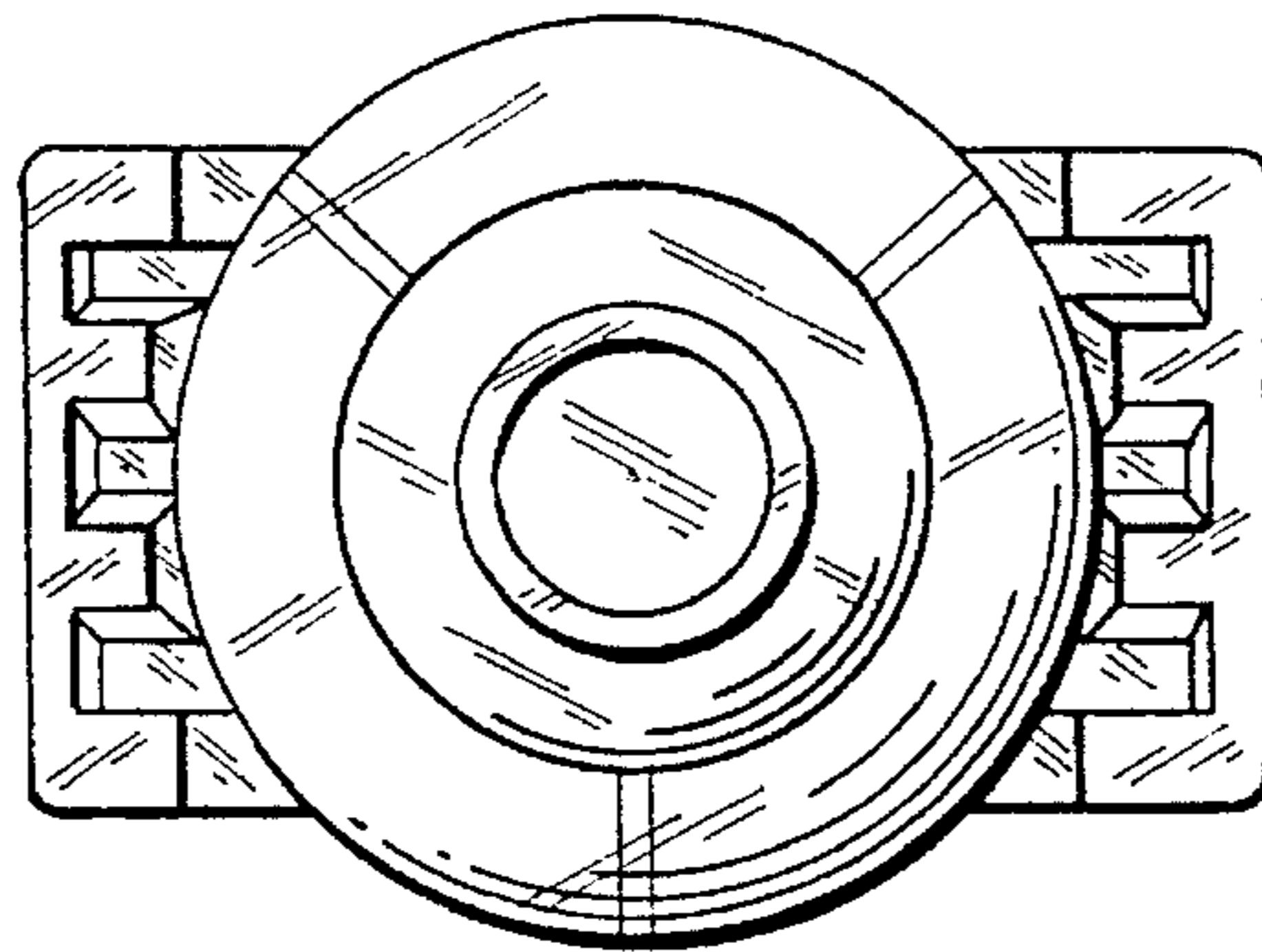


FIG. 16

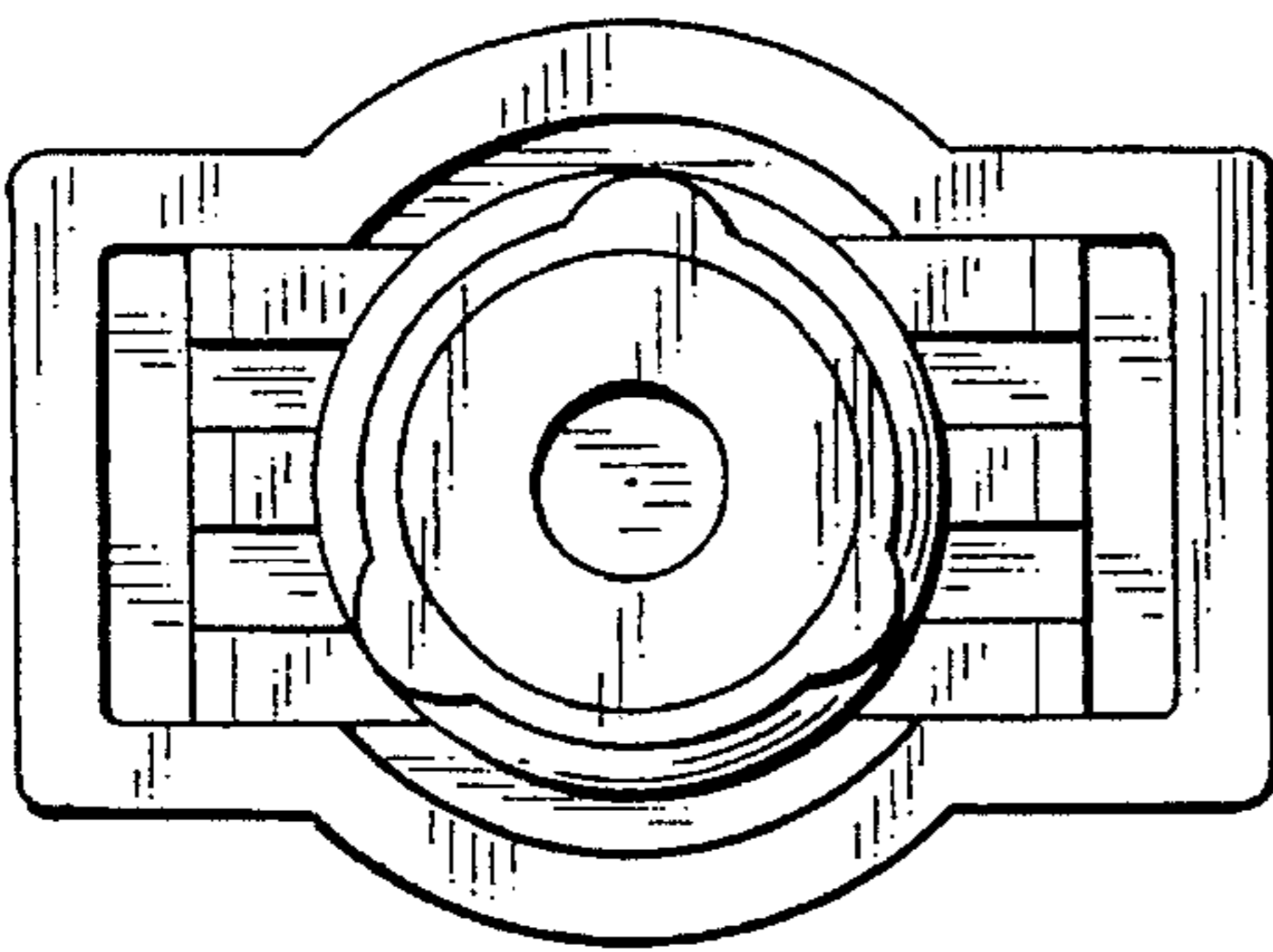


FIG. 17

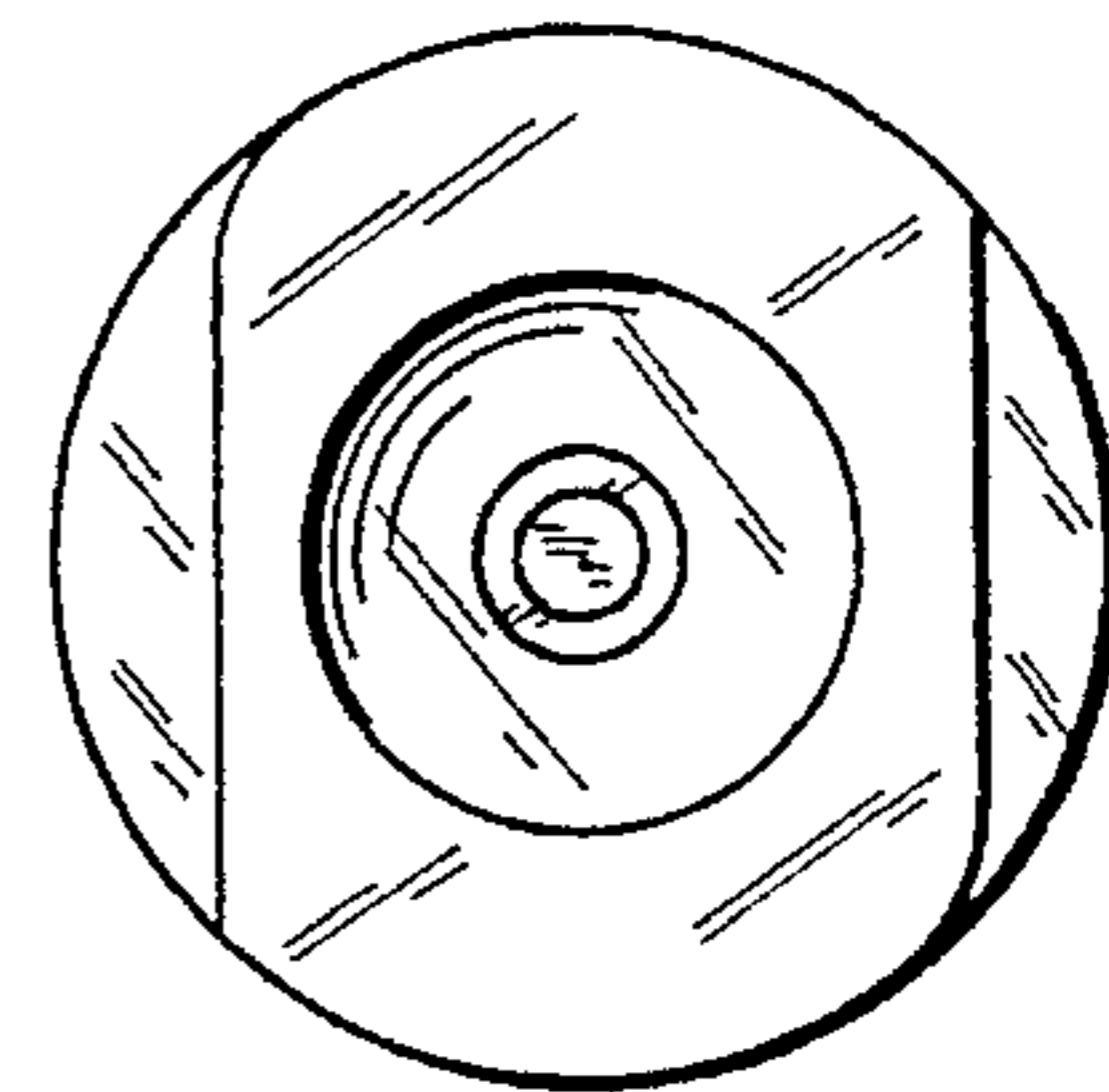


FIG. 18

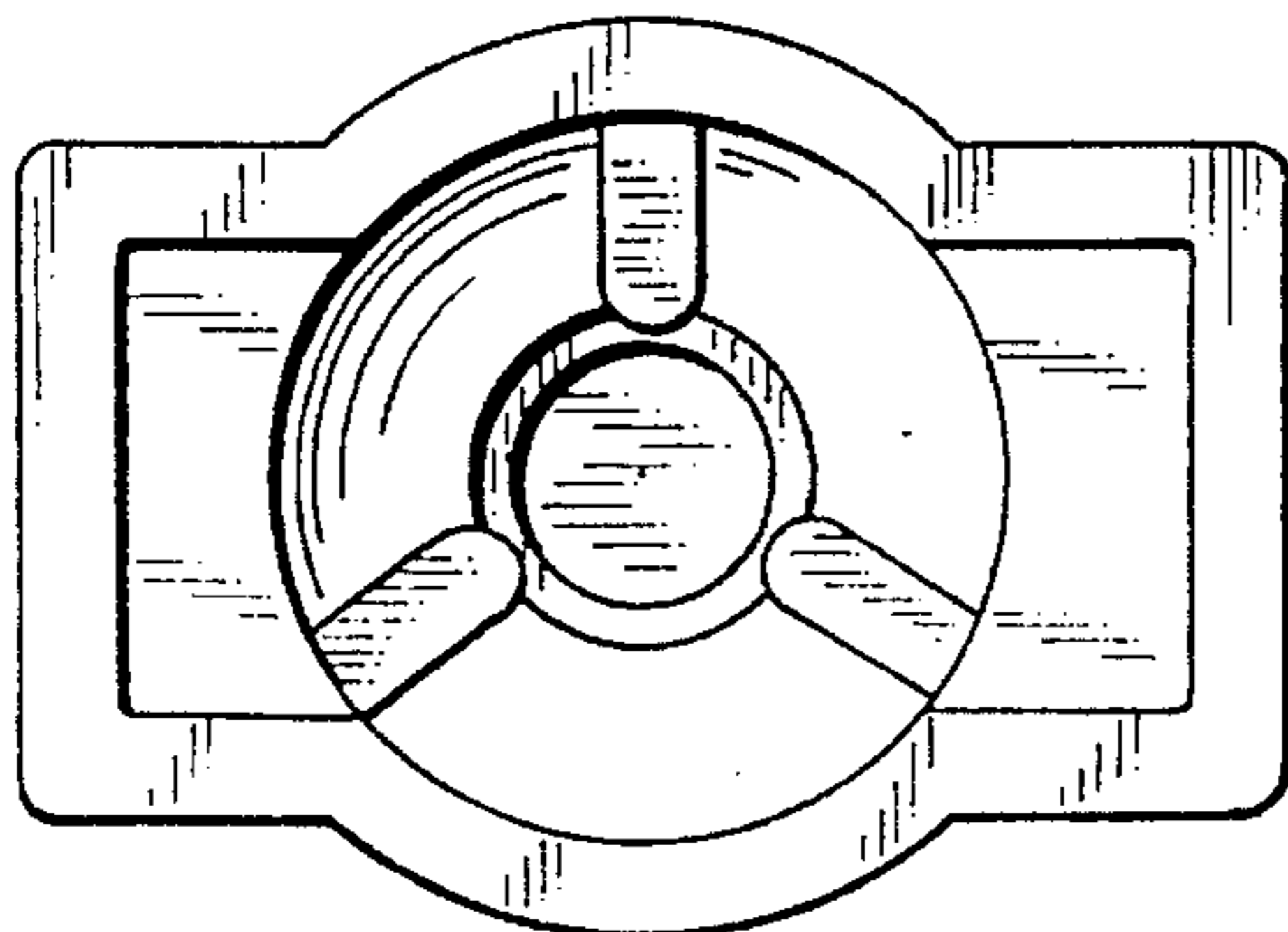


FIG. 19

