



US00D376644S

United States Patent [19]

[11] Patent Number: **Des. 376,644**

Dickinson et al.

[45] Date of Patent: ****Dec. 17, 1996**

[54] PHARMACEUTICAL TABLET

[75] Inventors: **Jeffrey Dickinson; Karrar A. Khan,**
both of Nottingham, United Kingdom

[73] Assignee: **The Boots Company plc,** Nottingham,
United Kingdom

[**] Term: **14 Years**

[21] Appl. No.: **52,612**

[22] Filed: **Apr. 1, 1996**

Related U.S. Application Data

[62] Division of Ser. No. 28,237, Sep. 9, 1994.

[30] Foreign Application Priority Data

Sep. 3, 1994	[GB]	United Kingdom	2037633
Sep. 3, 1994	[GB]	United Kingdom	2037634
Sep. 3, 1994	[GB]	United Kingdom	2037635
Sep. 3, 1994	[GB]	United Kingdom	2037636

[52] U.S. Cl. **D24/101; D24/103**

[58] Field of Search D24/100-104;
D1/100, 106, 115, 121, 127, 128, 130,
199; 424/451, 457, 464, 468, 469, 470,
472, 474, 407; D28/8.1, 8.2

[56] References Cited

U.S. PATENT DOCUMENTS

D. 302,481	7/1989	Miller et al.	D24/103
D. 316,914	5/1991	Withington	D24/101
4,258,027	3/1981	Ullman et al.	424/467
4,503,031	3/1985	Glassman	424/467
4,915,954	4/1990	Ayer et al.	424/467

Primary Examiner—Kay H. Chin

Attorney, Agent, or Firm—Nikaido, Marmelstein, Murray & Oram LLP

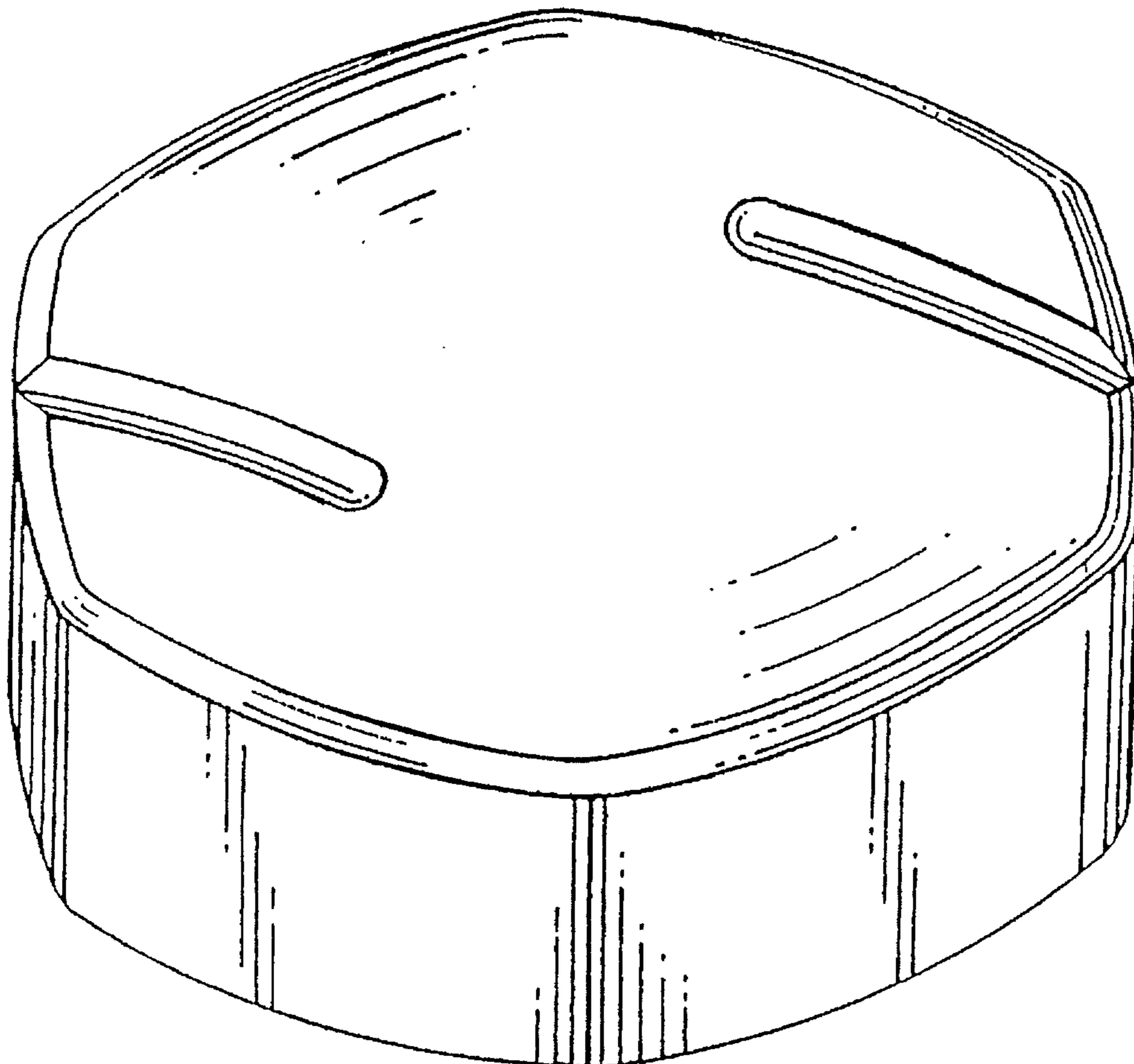
[57] CLAIM

The ornamental design for a pharmaceutical tablet, as shown and described.

DESCRIPTION

FIG. 1 is a top perspective view of a pharmaceutical tablet showing our new design;
FIG. 2 is a top plan view thereof;
FIG. 3 is a side elevational view thereof, the opposite side view being identical;
FIG. 4 is a bottom plan view thereof; and,
FIG. 5 is a front elevational view thereof, the rear side view being identical.

1 Claim, 3 Drawing Sheets



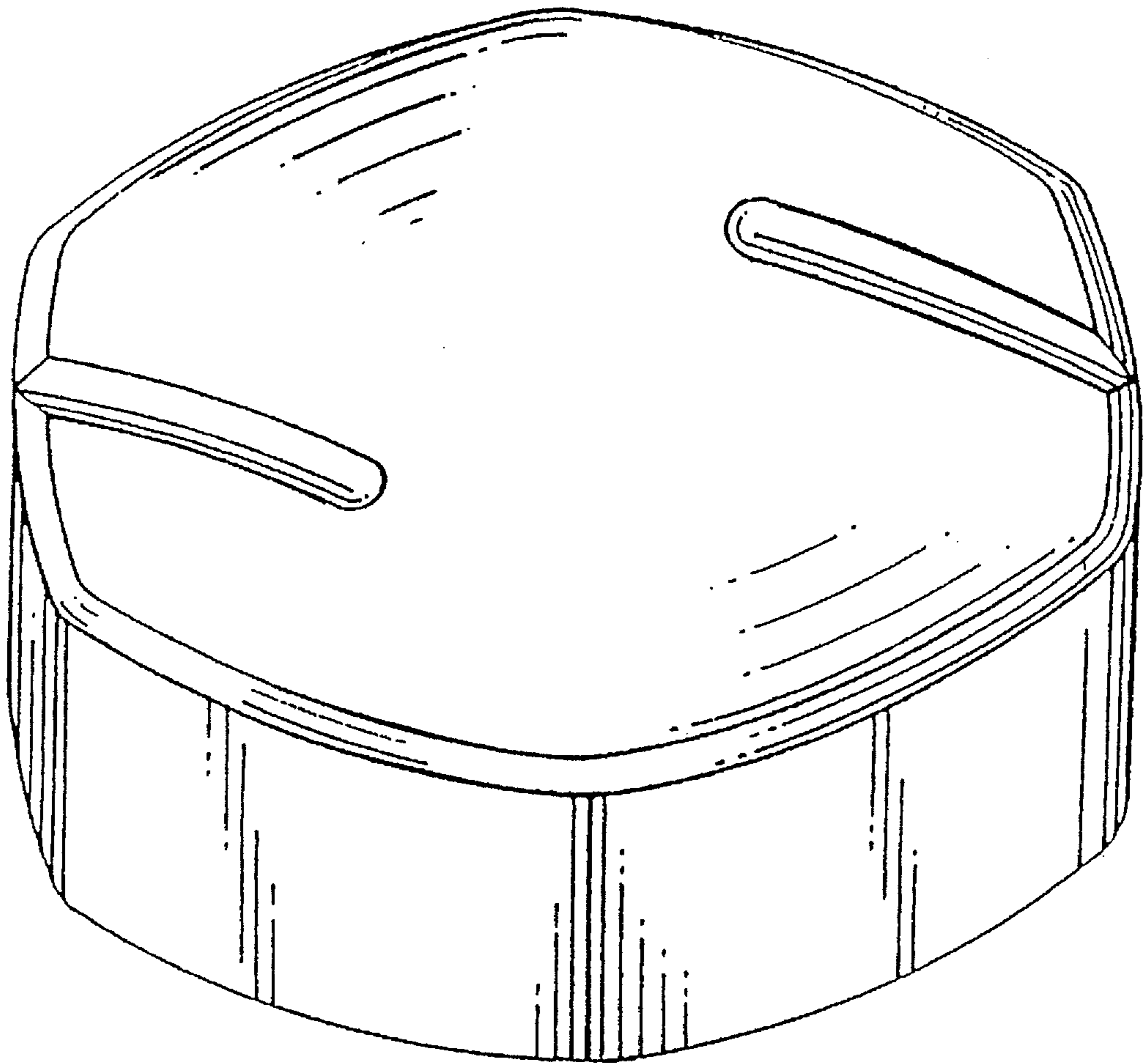


Fig. 1

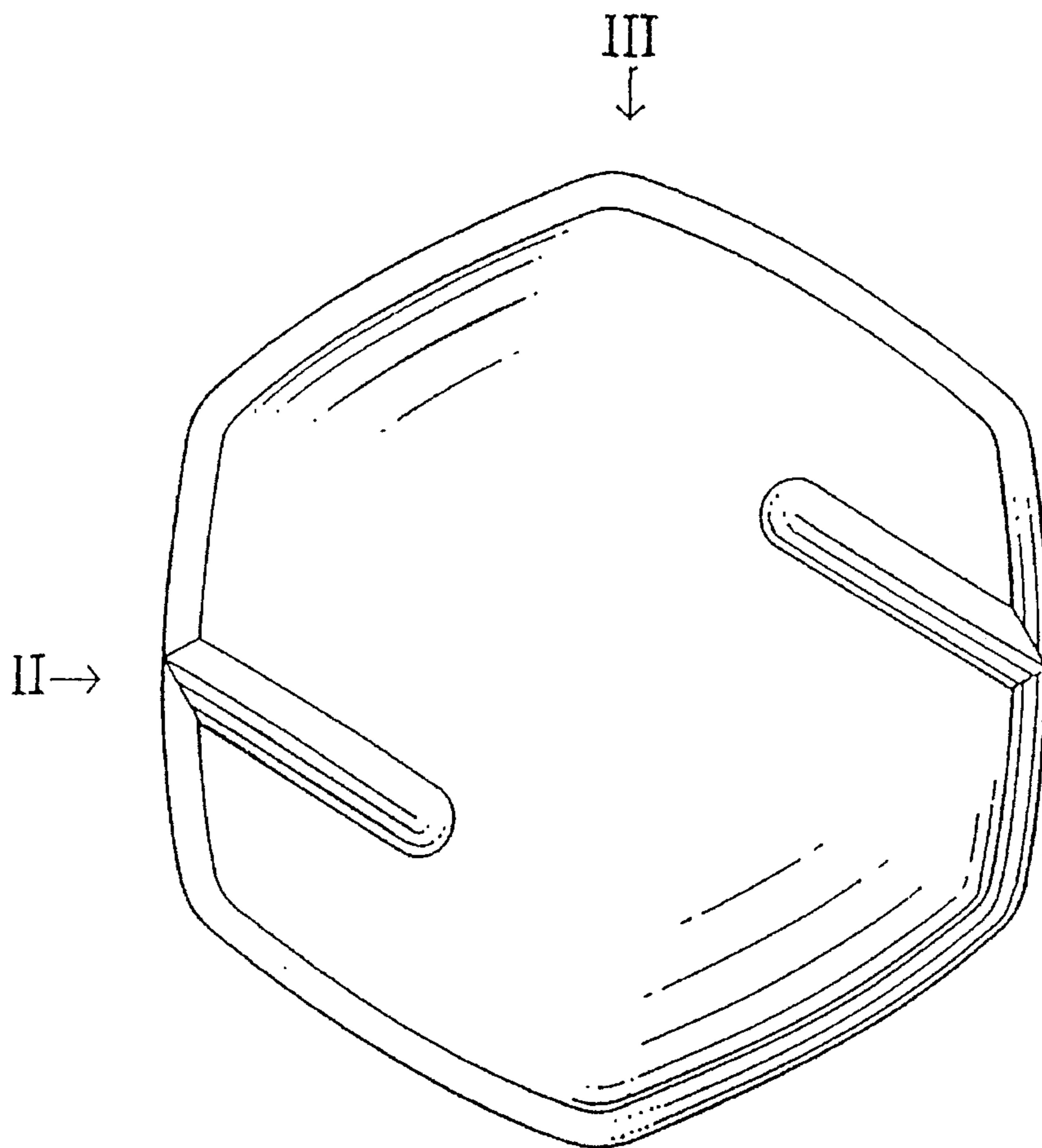


Fig. 2

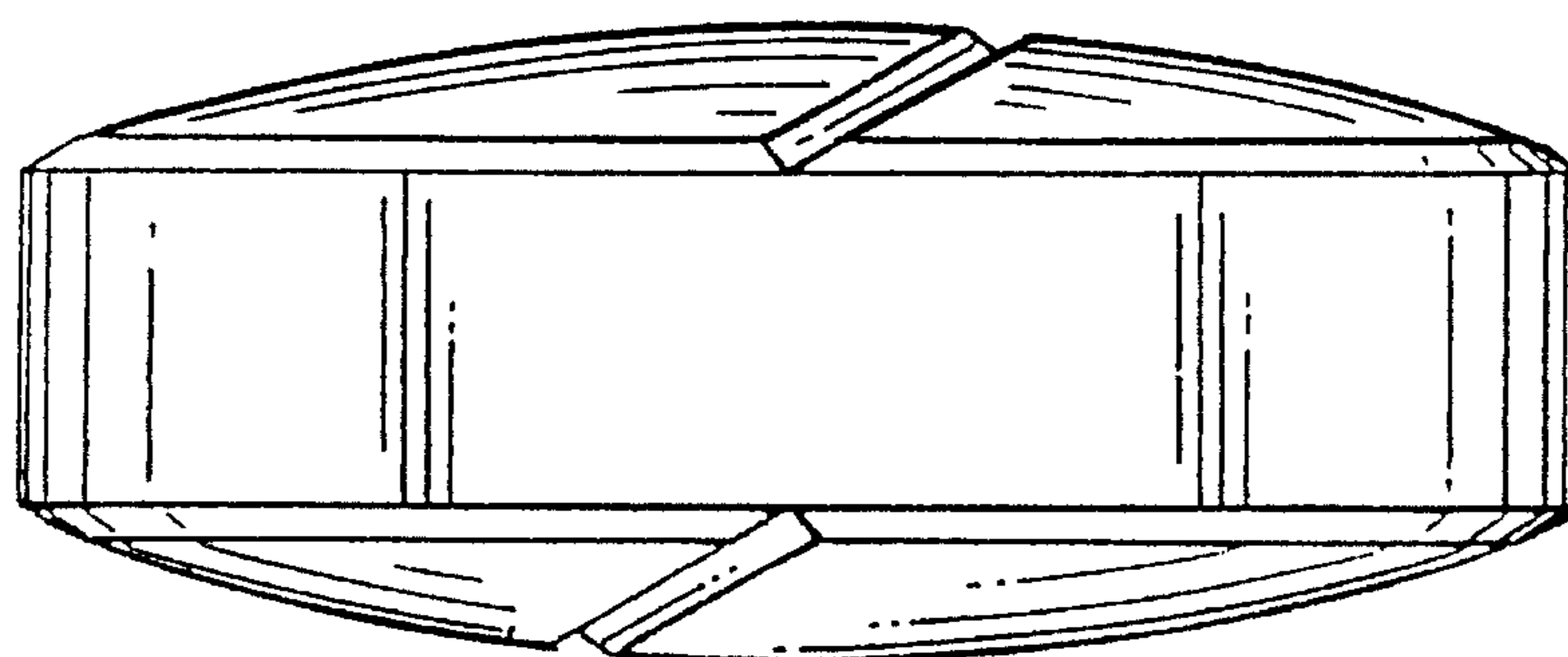


Fig. 3

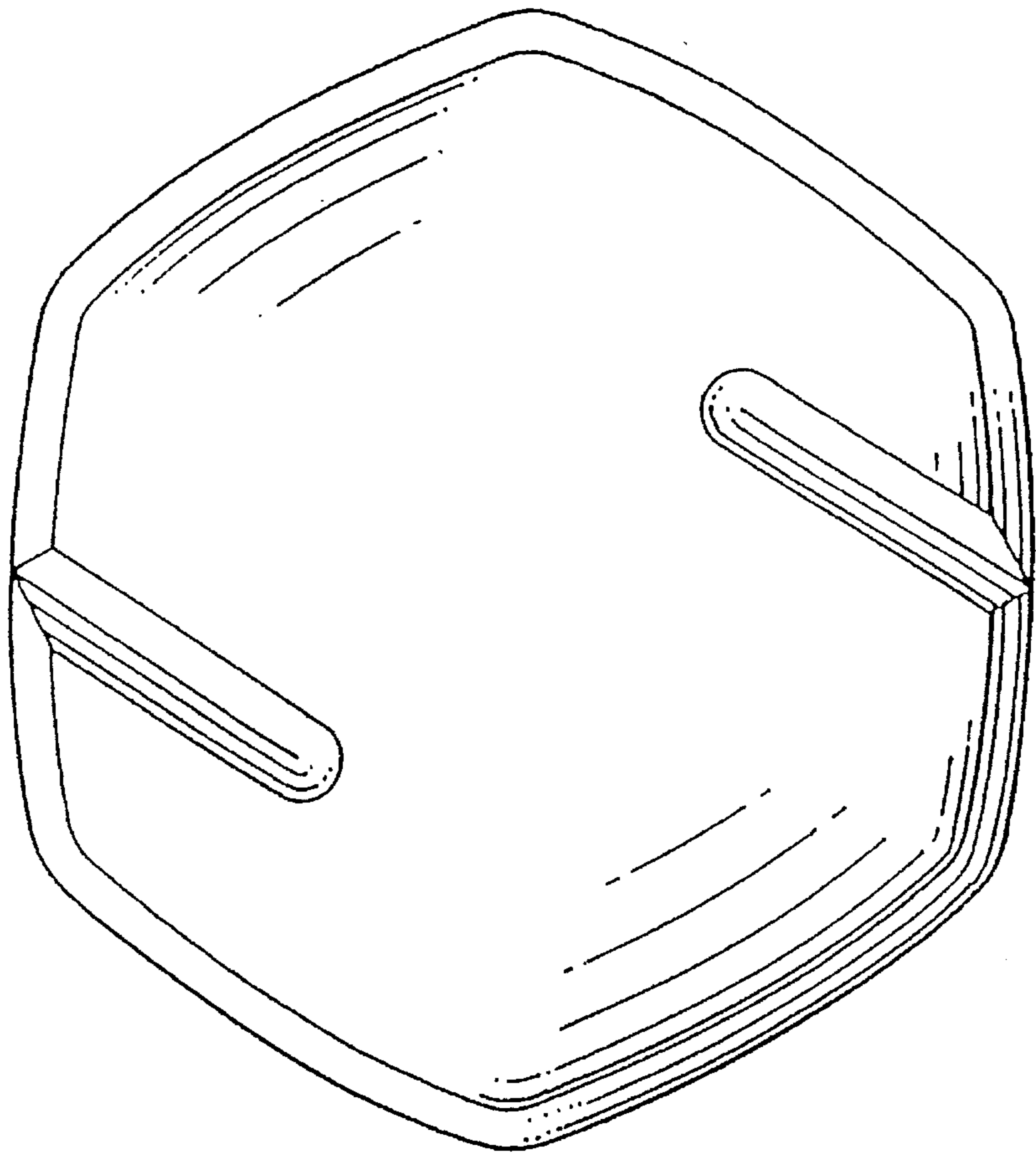


Fig. 4

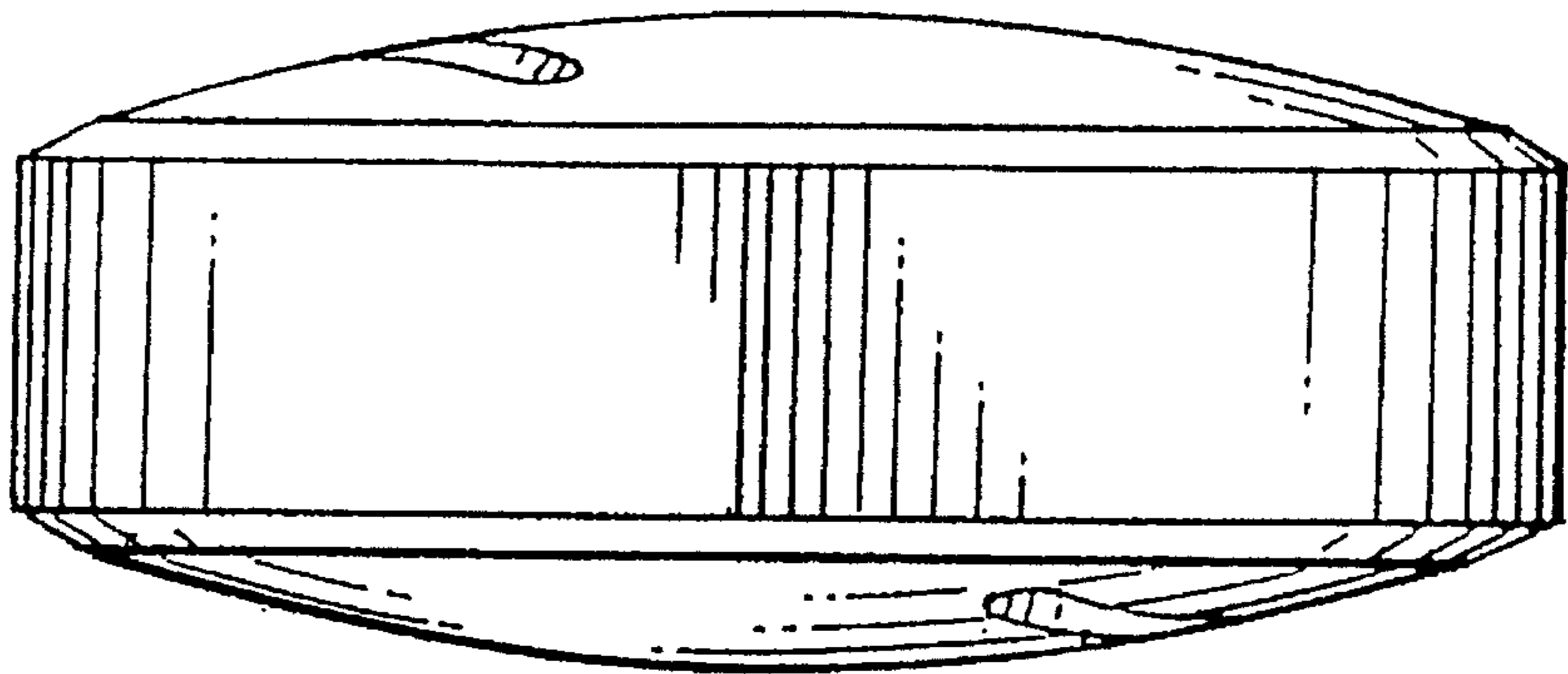


Fig. 5