



US00D376641S

# United States Patent [19]

**Bucher**

[11] **Patent Number: Des. 376,641**

[45] **Date of Patent: \*\*Dec. 17, 1996**

[54] **BASEBALL CEILING FAN**

*Attorney, Agent, or Firm—Dominik & Stein*

[75] Inventor: **John C. Bucher**, Coral Springs, Fla.

[57] **CLAIM**

[73] Assignee: **Chien Luen Industries Company Ltd., Inc.**, Ft. Lauderdale, Fla.

The ornamental design for a baseball ceiling fan, as shown and described.

[\*\*] Term: **14 Years**

### DESCRIPTION

[21] Appl. No.: **36,107**

FIG. 1 is a top view of the baseball ceiling fan showing my new design;

[22] Filed: **Mar. 13, 1995**

[52] U.S. Cl. .... **D23/377; D23/379; D23/385; D23/413**

FIG. 2 is a bottom view thereof;

[58] **Field of Search** ..... **D23/377, 379, D23/385, 411, 413; 416/5; 392/364; 362/96; D26/81-86, 73, 72, 88, 59, 51**

FIG. 3 is a right view thereof;

FIG. 4 is a left view thereof;

### [56] **References Cited**

#### U.S. PATENT DOCUMENTS

D. 226,676 4/1973 Felsen et al. .... D11/157

FIG. 5 is a front view of the baseball ceiling fan shown without the blades for clarity of illustration; and,

FIG. 6 is a rear view of the baseball ceiling fan shown without the blades for clarity of illustration.

#### OTHER PUBLICATIONS

Hunter Fan Co. Adv. Flyer front page, Ceiling Fan A, middle left side of page.

Three of the blades have been shown broken away in FIGS. 1 and 2 and two of the blades have been shown broken away in FIGS. 3 and 4, for ease of illustration.

*Primary Examiner—Lisa P. Lichtenstein*

**1 Claim, 5 Drawing Sheets**

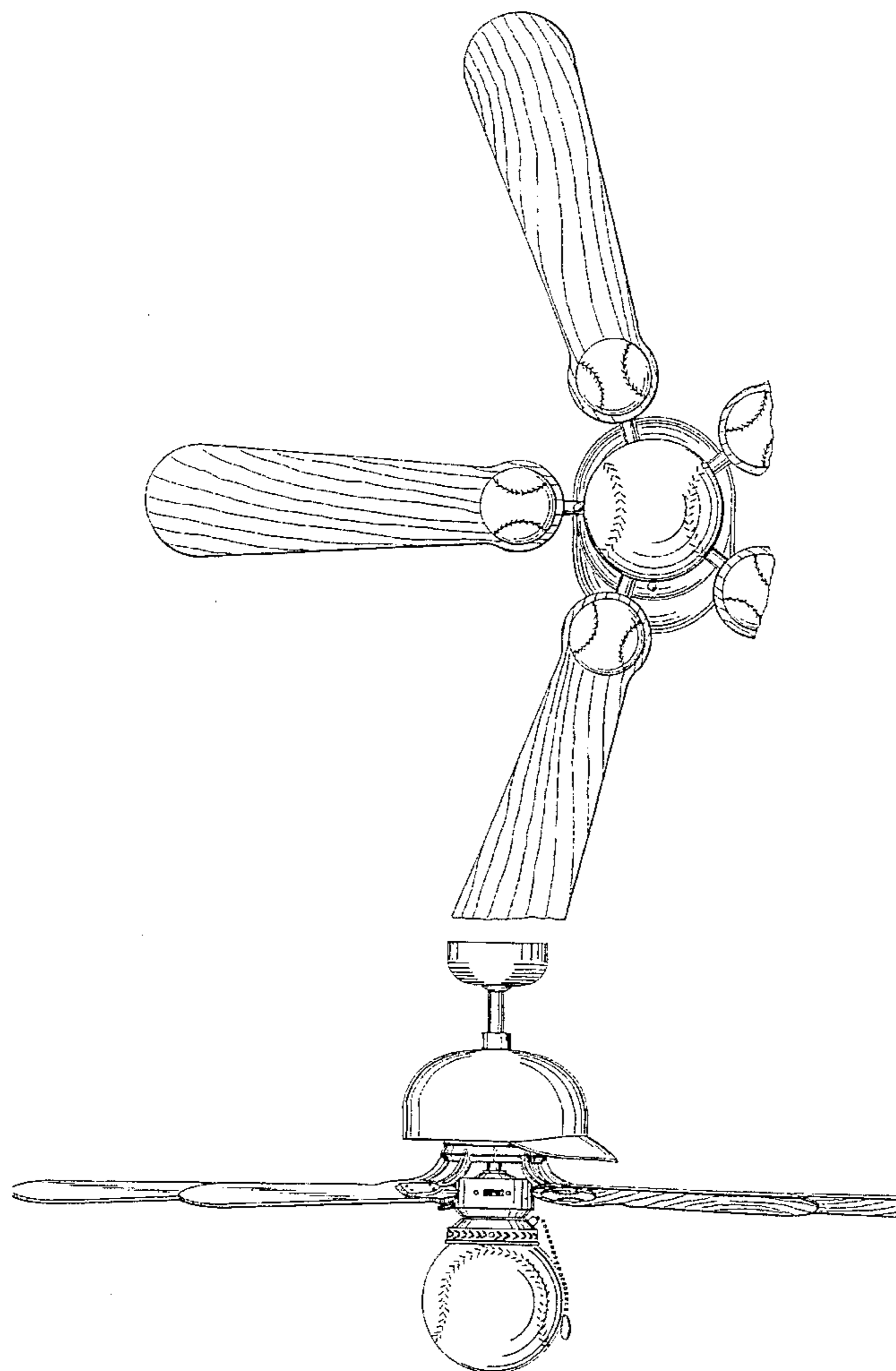


Fig. 1

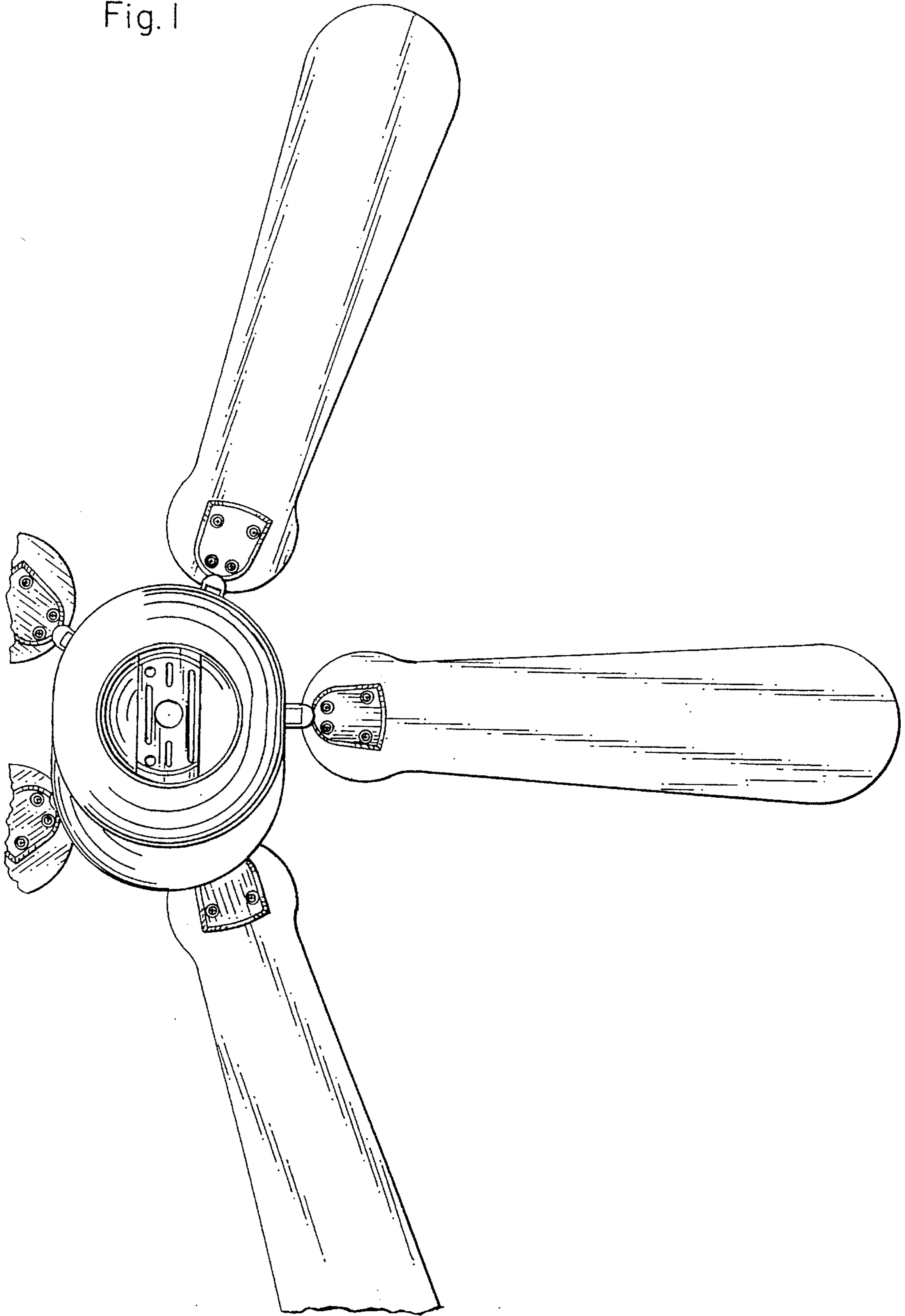
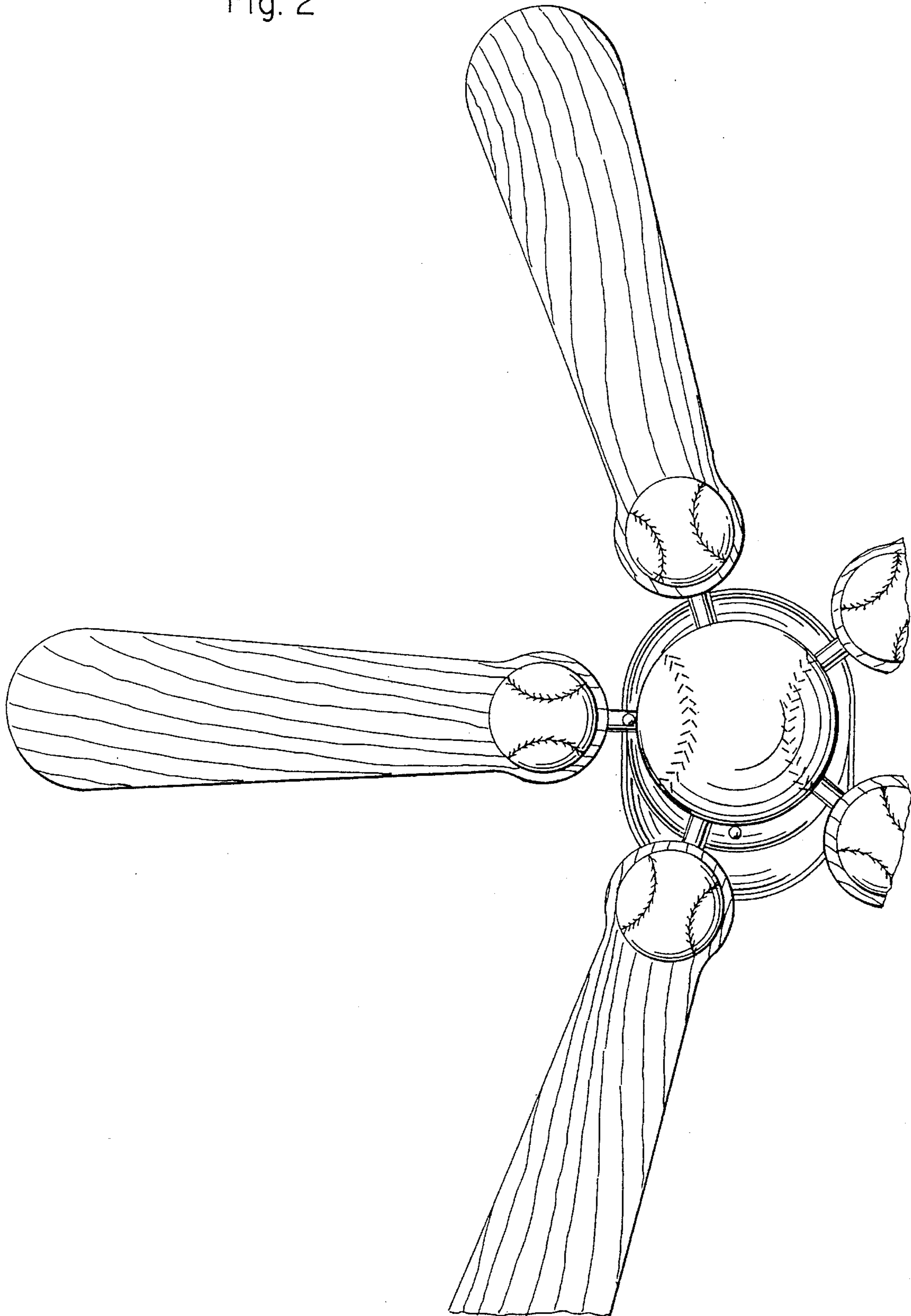


Fig. 2



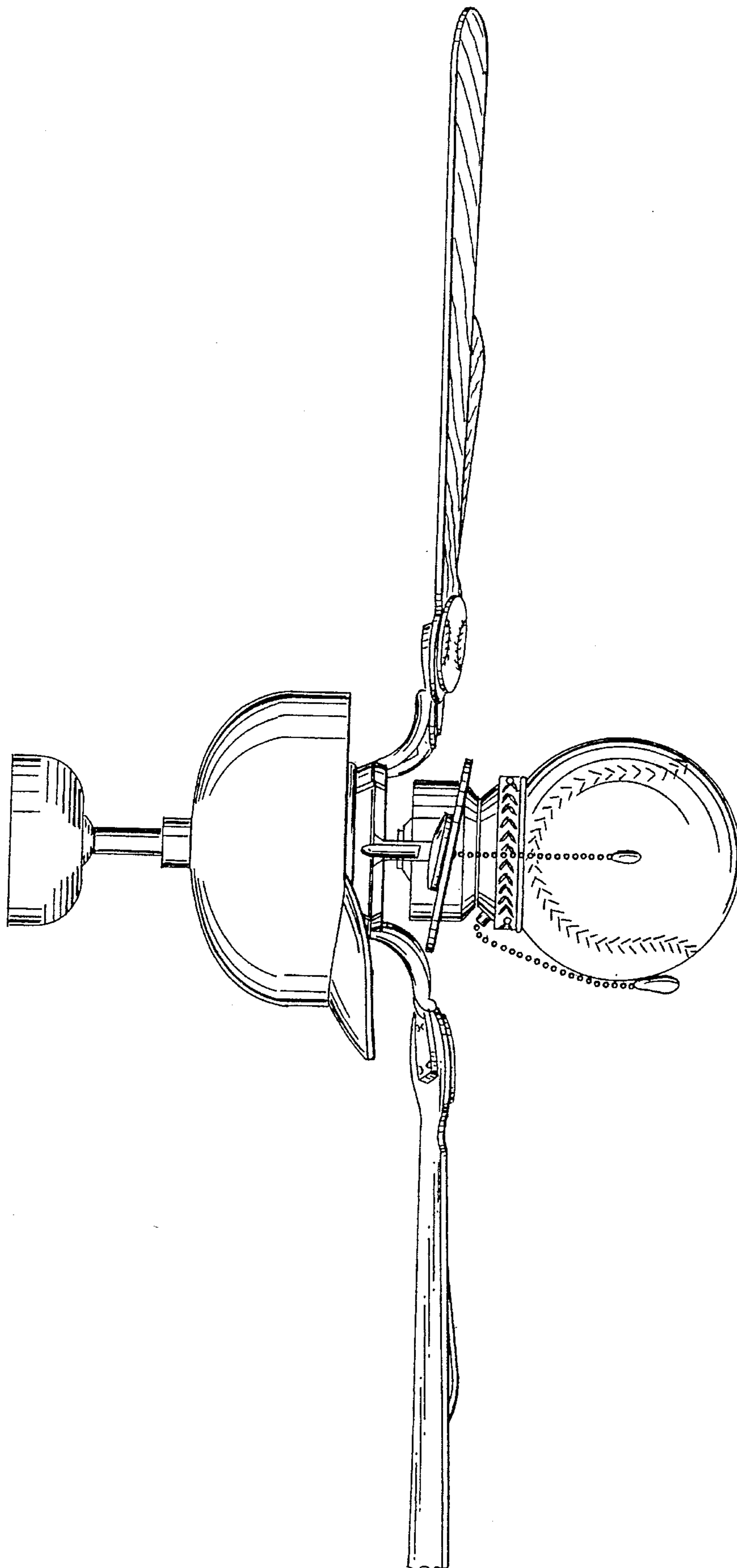


Fig. 3

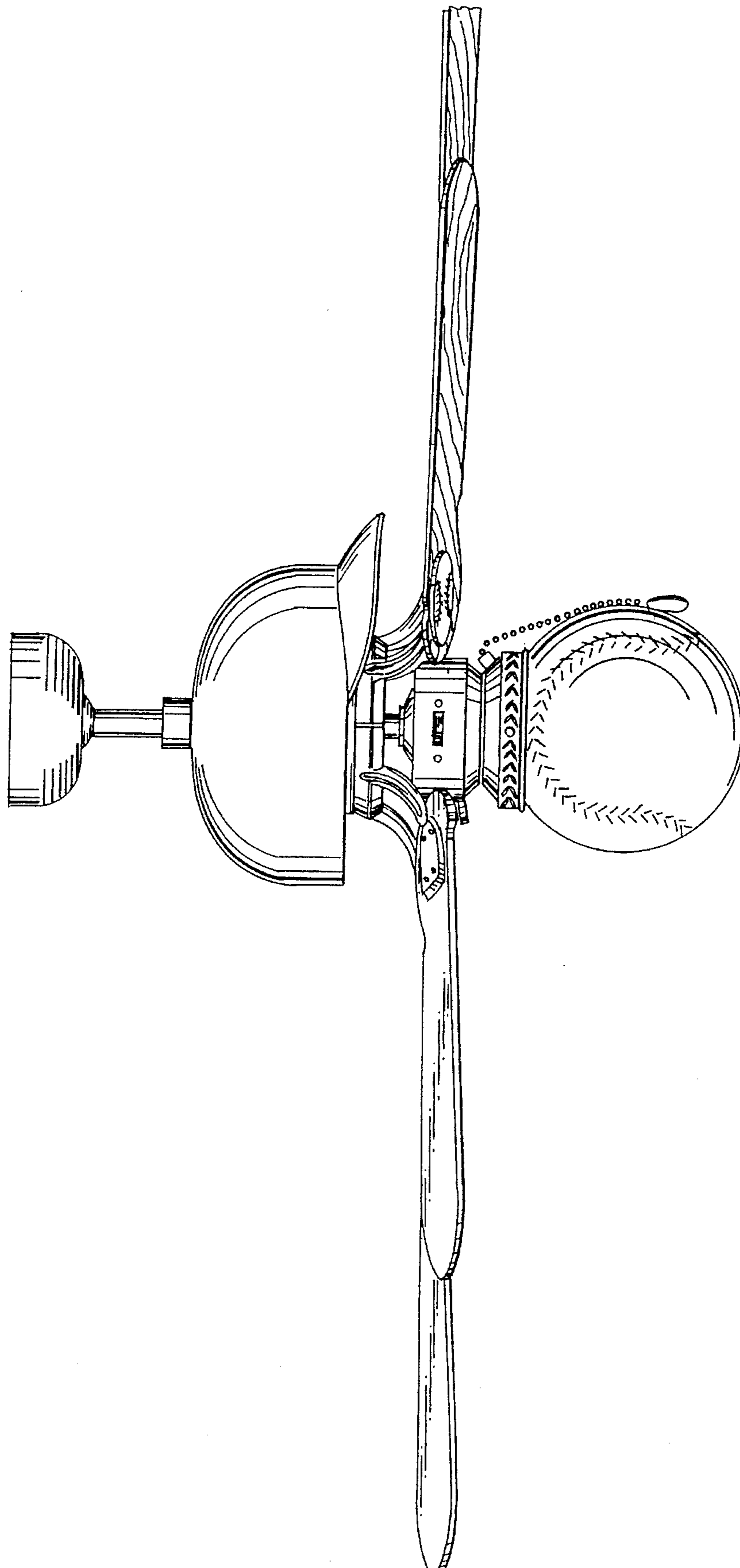


Fig. 4



Fig. 6

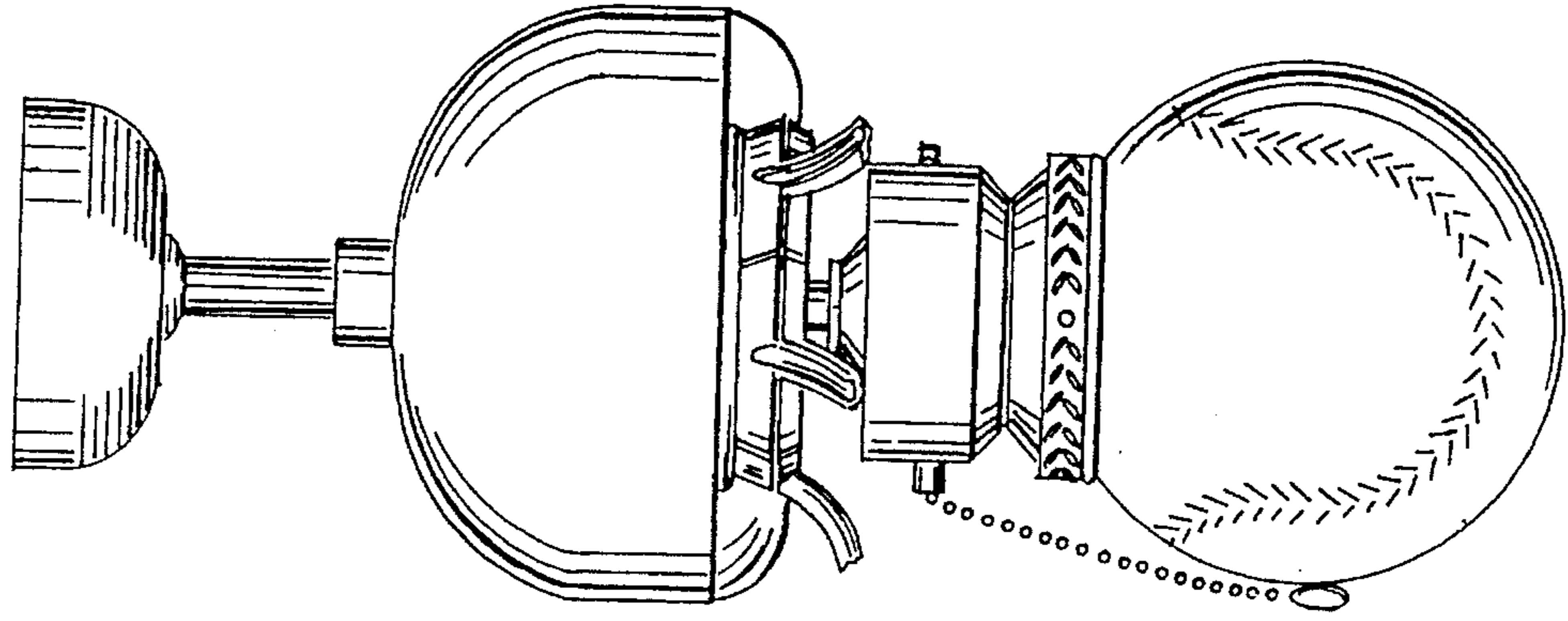


Fig. 5

