



US00D376640S

United States Patent [19]

[11] Patent Number: **Des. 376,640**

Kloster

[45] Date of Patent: ****Dec. 17, 1996**

[54] RECIRCULATING FILTER HOUSING

Primary Examiner—Lisa P. Lichtenstein
Attorney, Agent, or Firm—Leydig, Voit & Mayer, Ltd.

[75] Inventor: **John M. Kloster**, Caledonia, Ill.

[57] CLAIM

[73] Assignee: **Atwood Industries, Inc.**, Rockford, Ill.

The ornamental design for a recirculating filter housing, as shown.

[**] Term: **14 Years**

DESCRIPTION

[21] Appl. No.: **41,131**

FIG. 1 is a perspective view of a recirculating filter housing incorporating my new design;

[22] Filed: **Jul. 7, 1995**

FIG. 2 is a top plan view thereof;

[52] U.S. Cl. **D23/365**

FIG. 3 is a frontal side view thereof;

[58] Field of Search D23/365; 454/158;
55/481, 467; 422/168

FIG. 4 is a right side view thereof;

FIG. 5 is a left side view thereof;

[56] References Cited

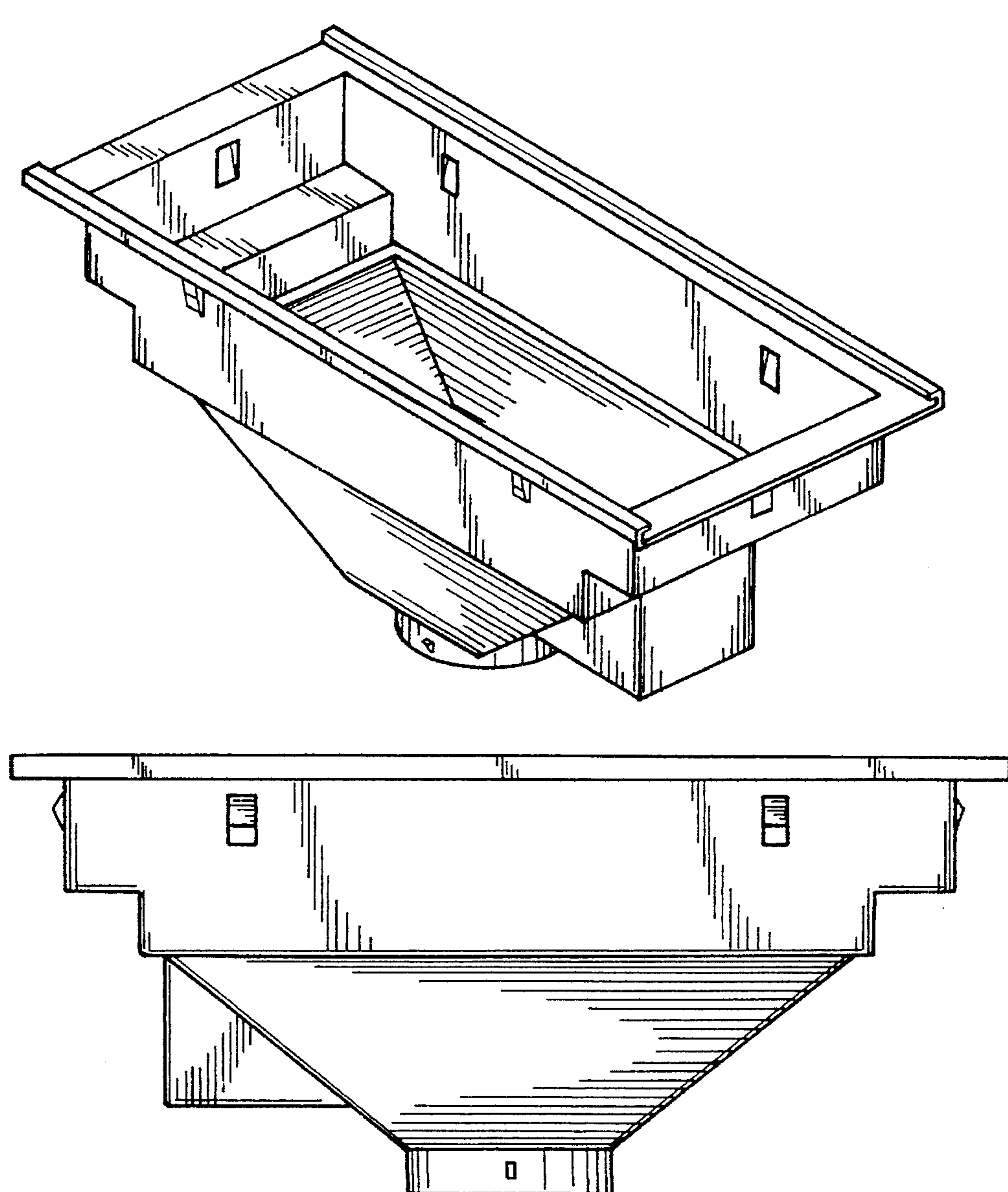
U.S. PATENT DOCUMENTS

FIG. 6 is a bottom plan view thereof; and,

FIG. 7 is a rear side view thereof.

3,421,666 1/1969 Lawson 55/472
3,823,532 7/1974 Cooper et al. 55/481

1 Claim, 2 Drawing Sheets



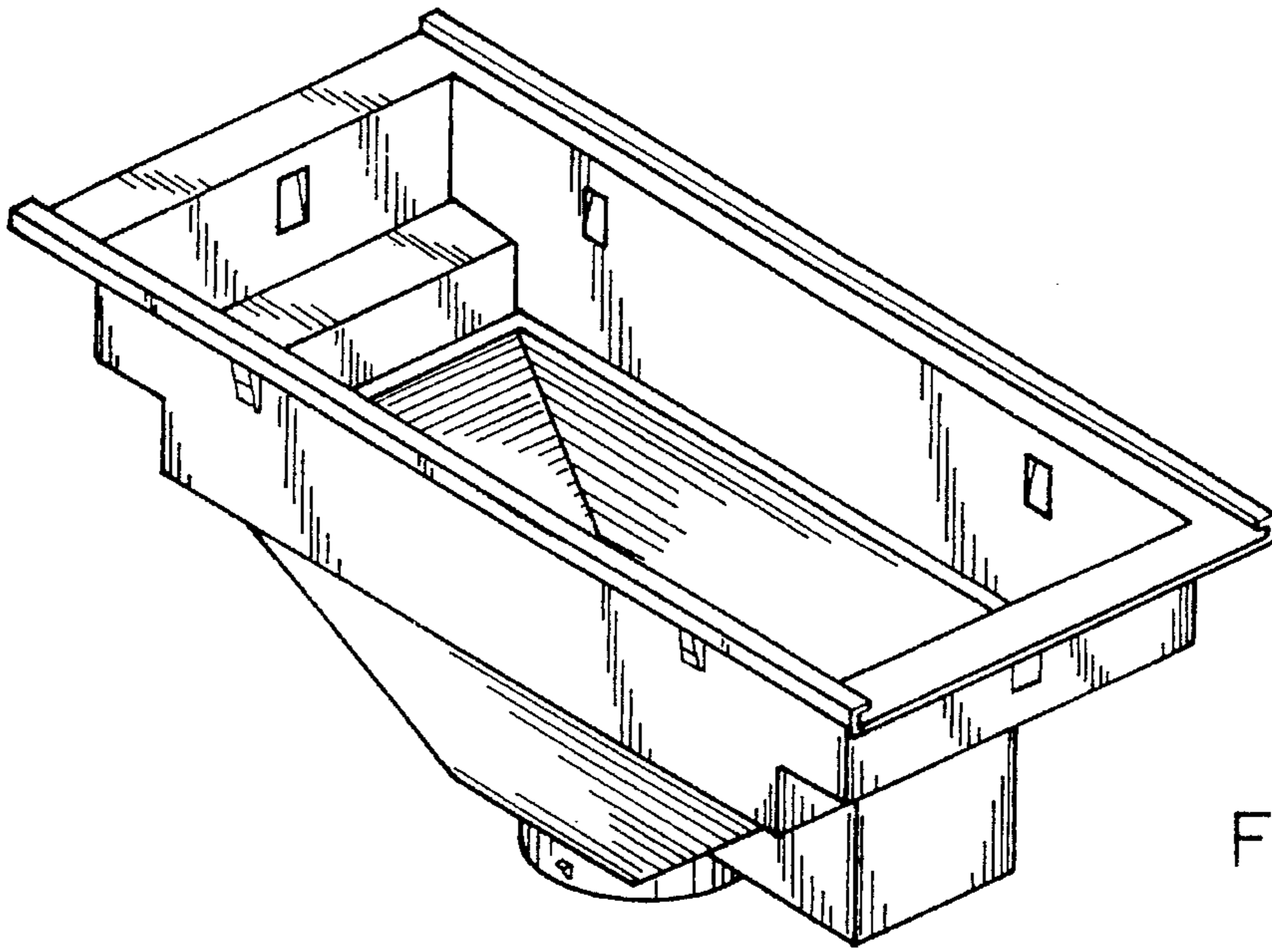


FIG. 1

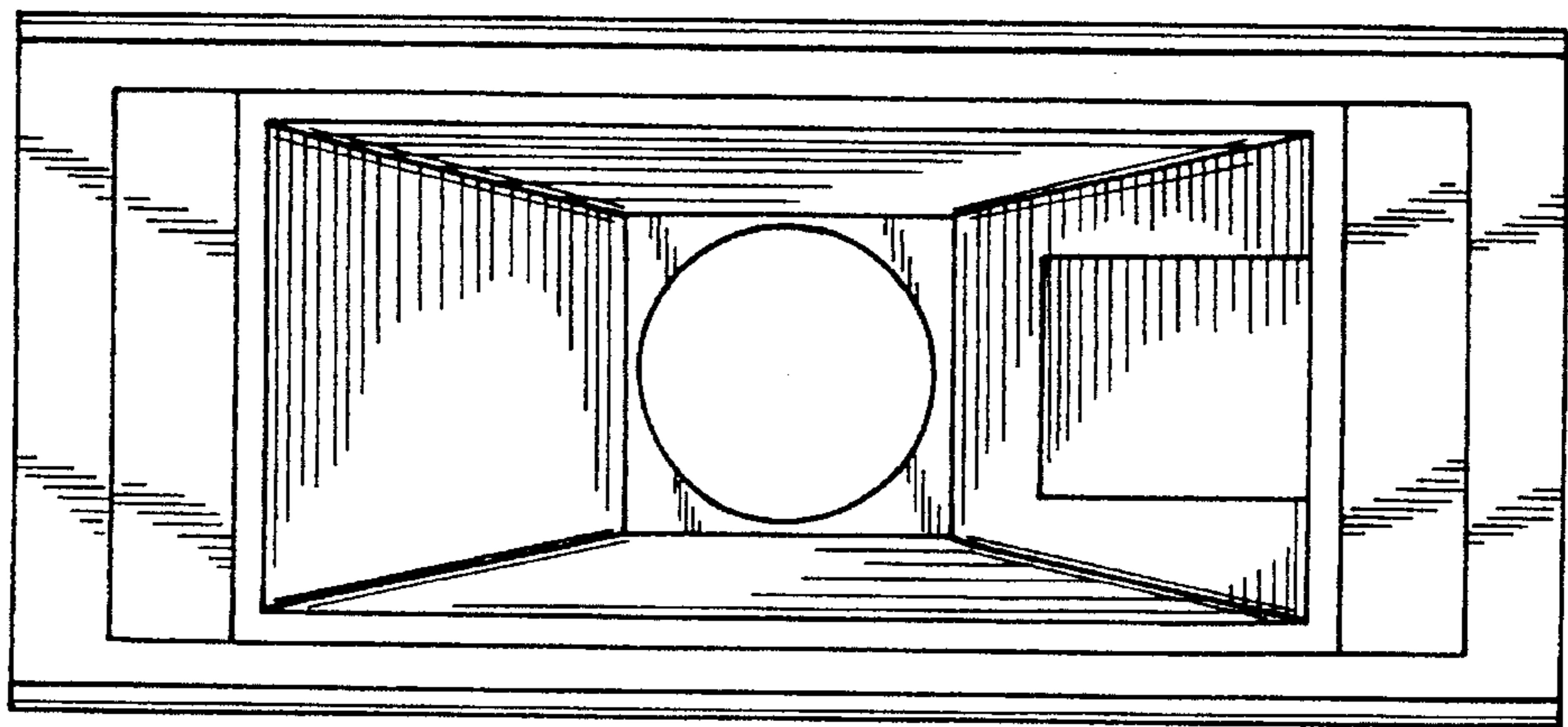


FIG. 2

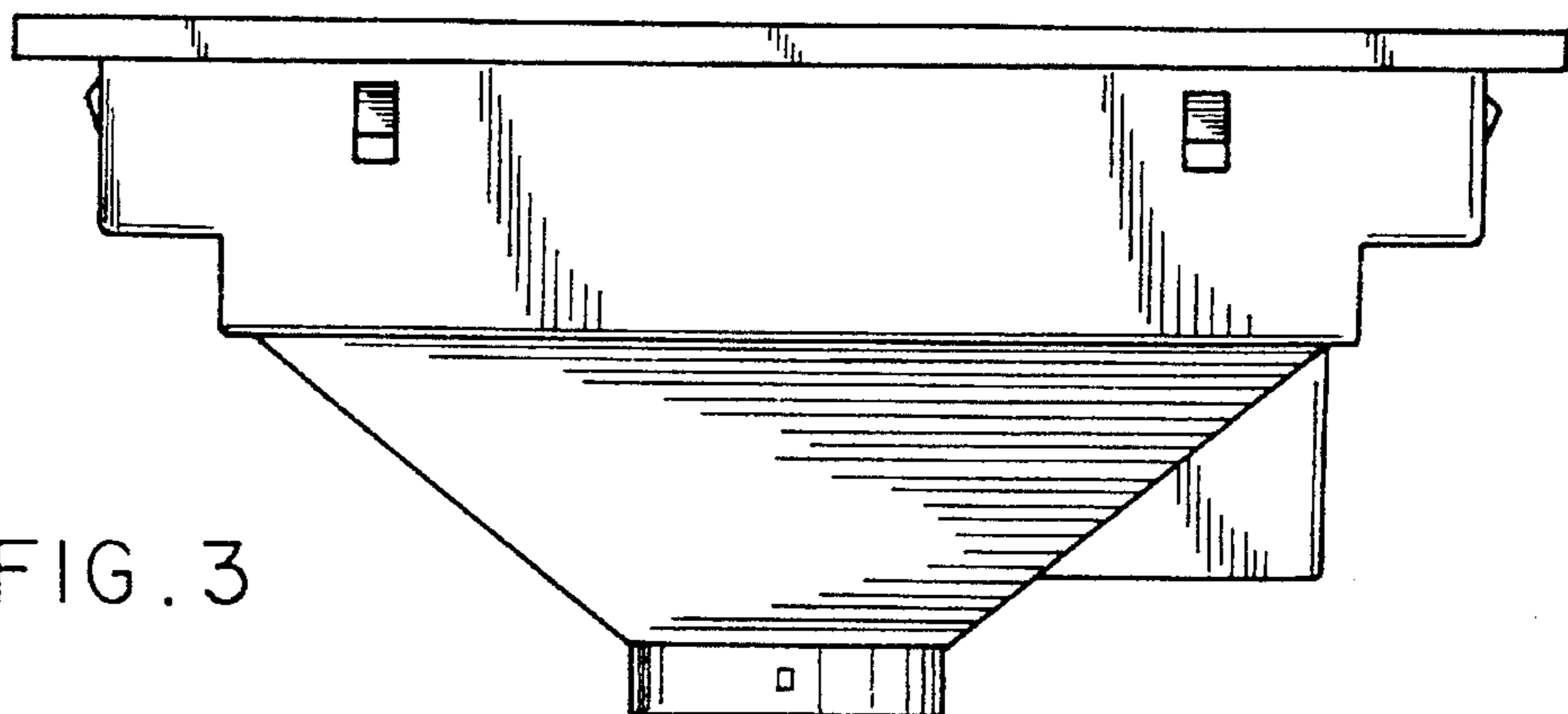


FIG. 3

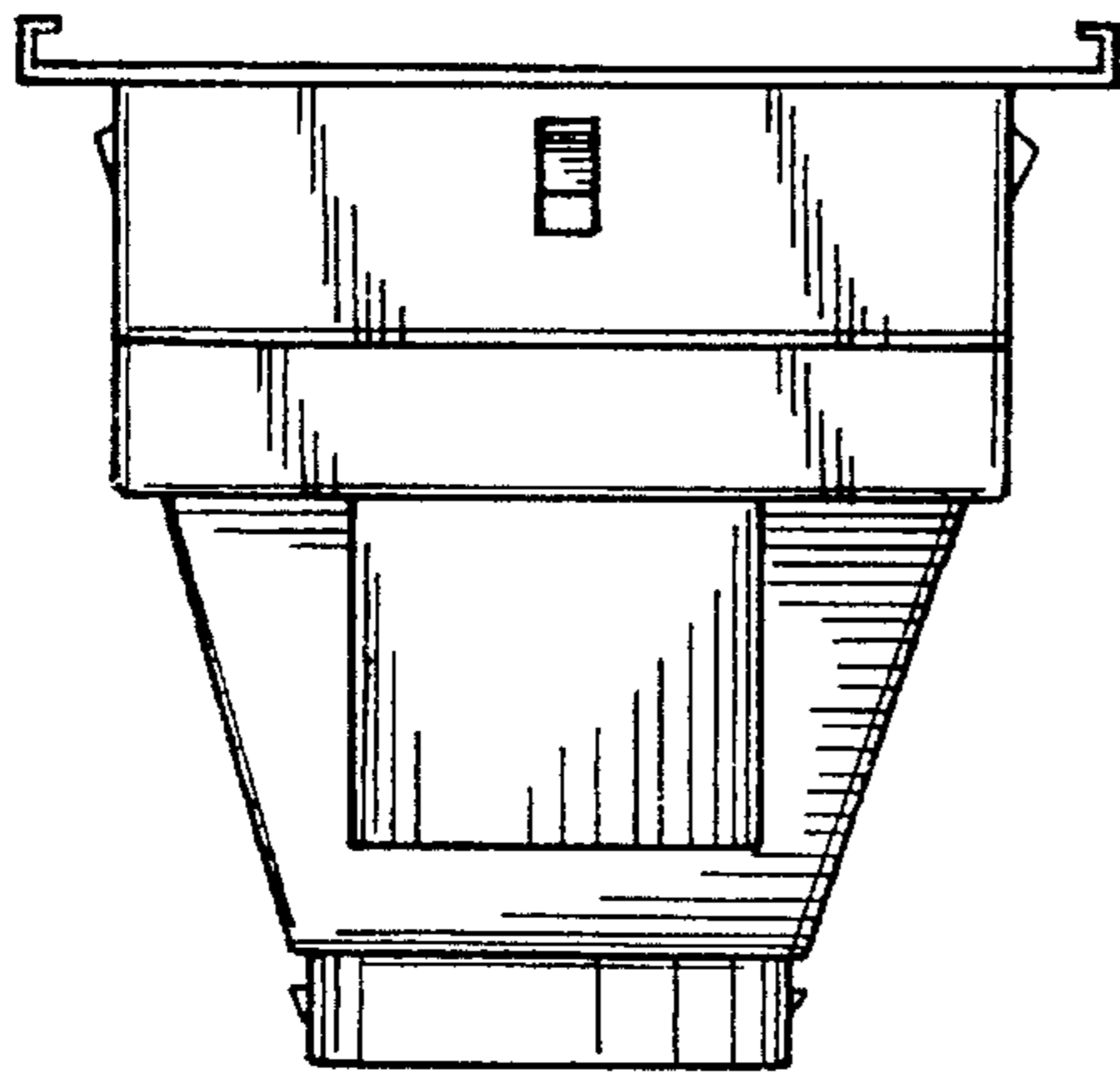


FIG. 4

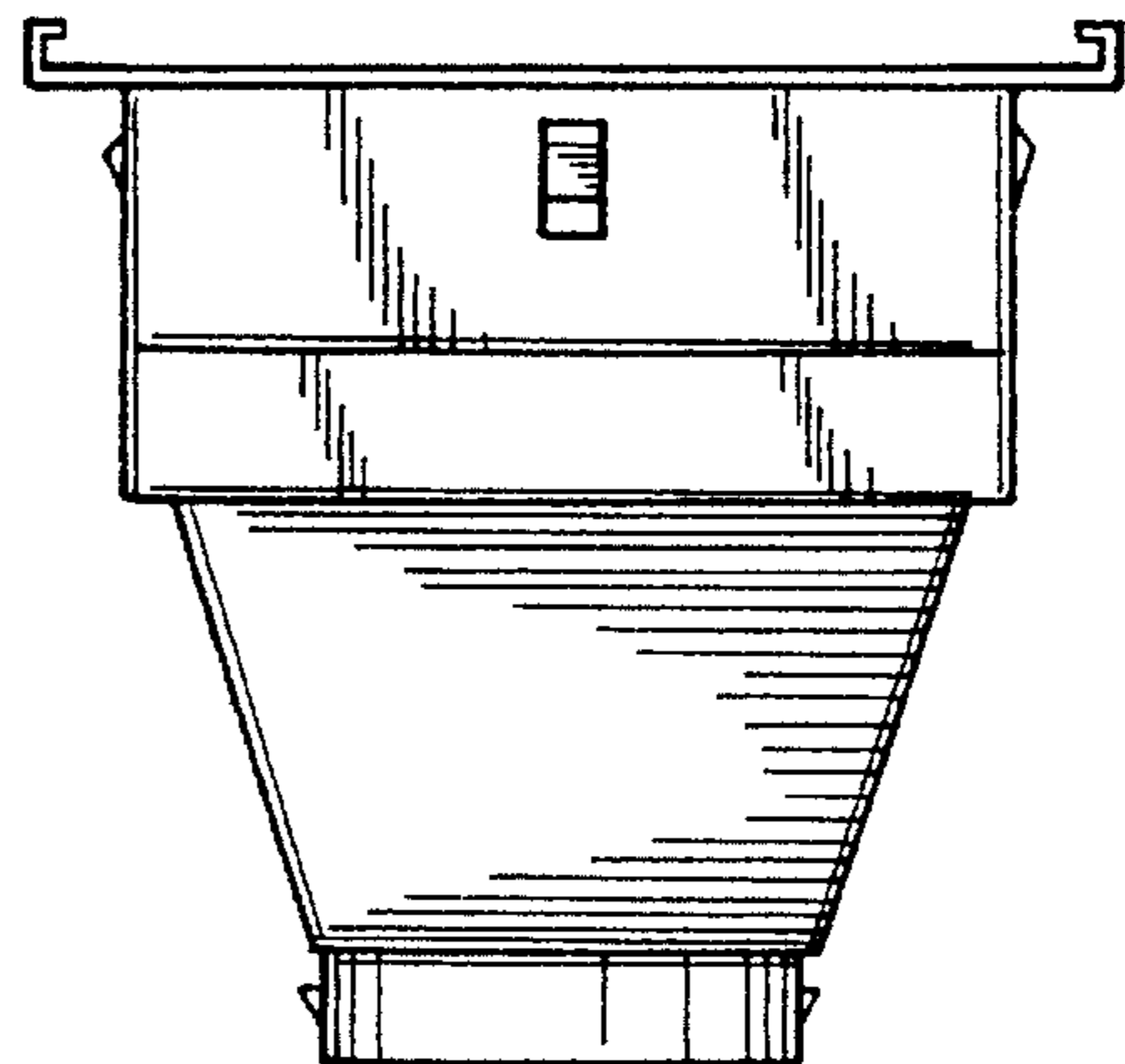


FIG. 5

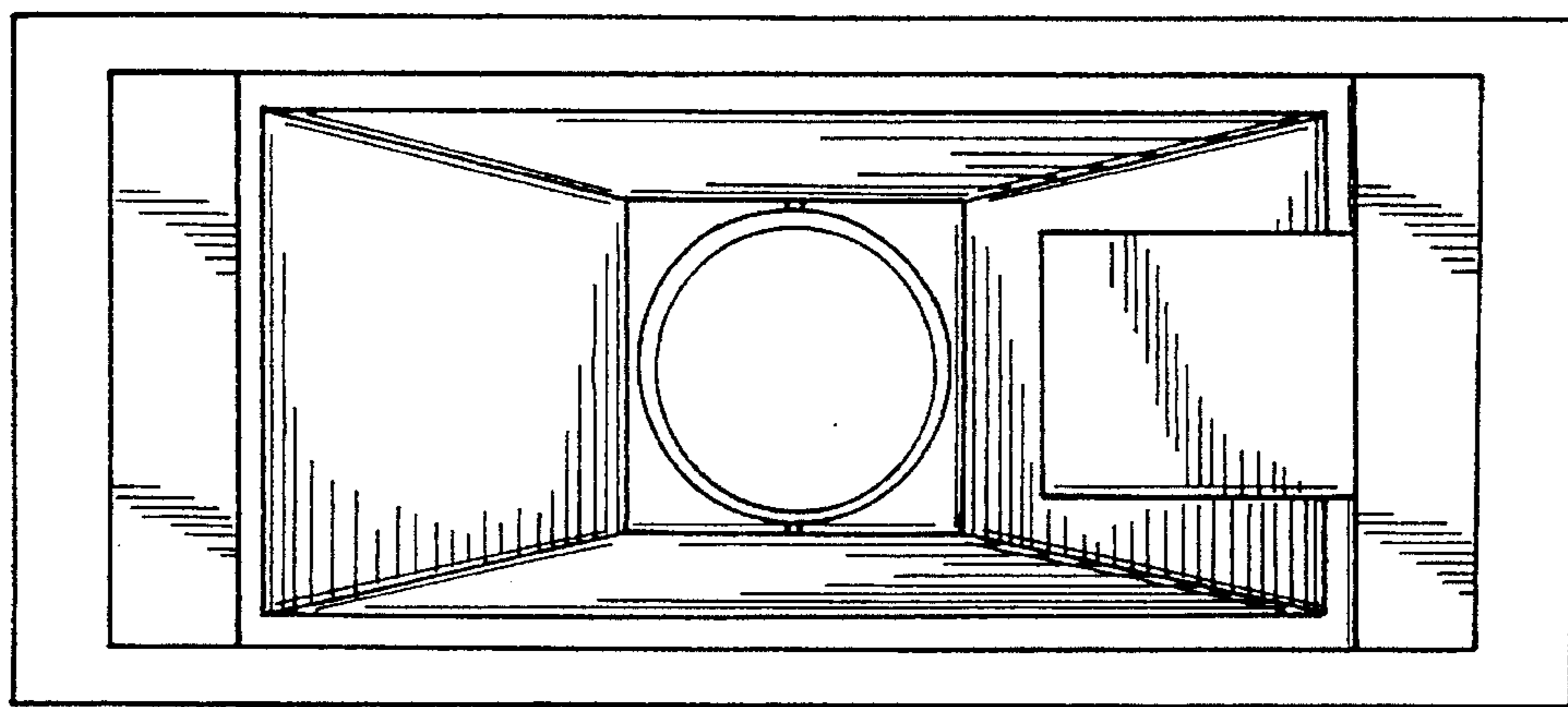


FIG. 6

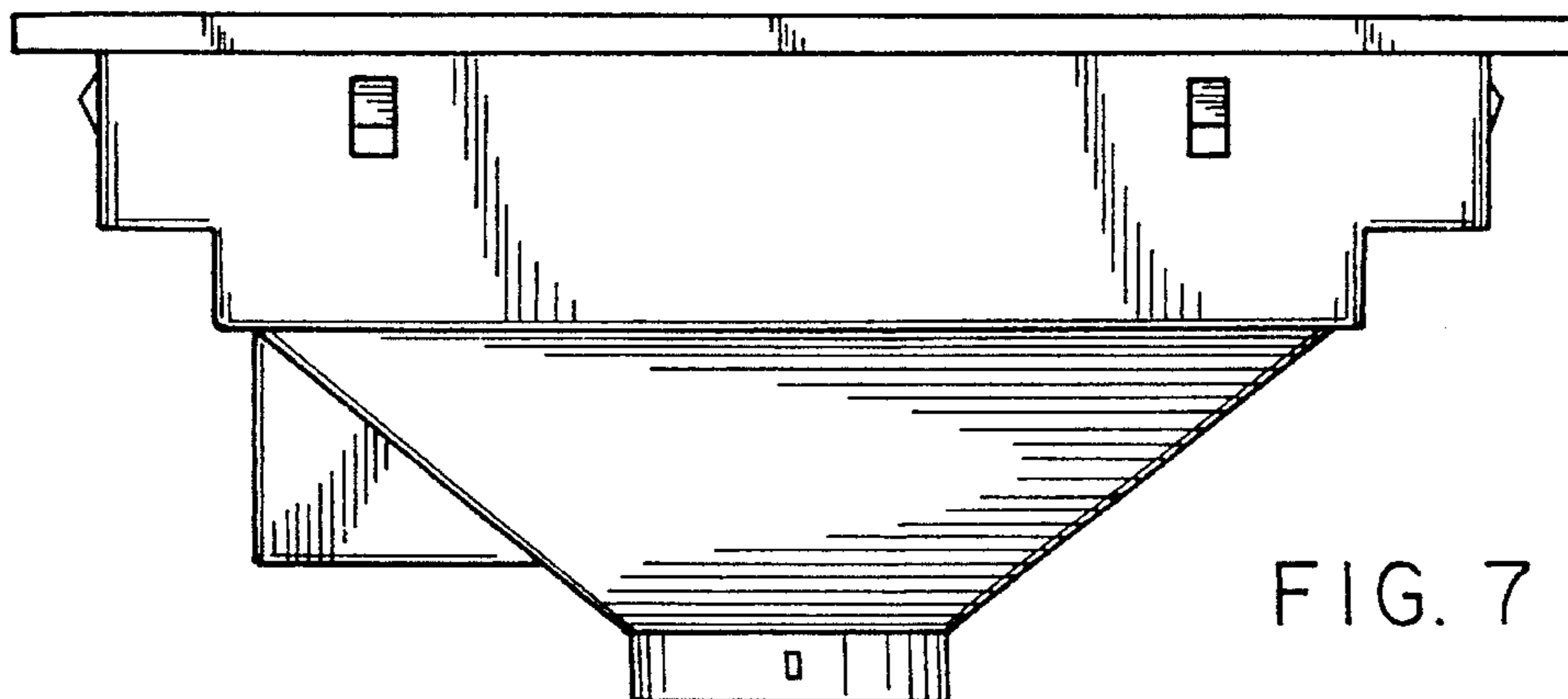


FIG. 7