



US00D376639S

United States Patent [19]

[11] Patent Number: **Des. 376,639**

Moore

[45] Date of Patent: ****Dec. 17, 1996**

[54] **HUMIDIFIER**

D. 328,342 7/1992 Pasch et al. D23/356
D. 336,761 6/1993 Chan D23/356

[75] Inventor: **Devin L. Moore**, Decatur, Ga.

Primary Examiner—Lisa P. Lichtenstein

[73] Assignee: **Sunbeam Products, Inc.**, Fort Lauderdale, Fla.

Attorney, Agent, or Firm—Michael J. Kline; Carol I. Bordas

[**] Term: **14 Years**

[57] CLAIM

The ornamental design for a humidifier, as shown.

[21] Appl. No.: **45,849**

DESCRIPTION

[22] Filed: **Oct. 31, 1995**

FIG. 1 is a top left front perspective view of a humidifier showing my design;

[52] U.S. Cl. **D23/356**; D23/360

FIG. 2 is a top plan view thereof;

[58] Field of Search D23/356-363;
392/403-406, 394; 261/91, DIG. 65; 422/120

FIG. 3 is a bottom plan view thereof;

FIG. 4 is a front elevational view thereof;

FIG. 5 is a rear elevational view thereof;

FIG. 6 is a left side elevational view thereof; and,

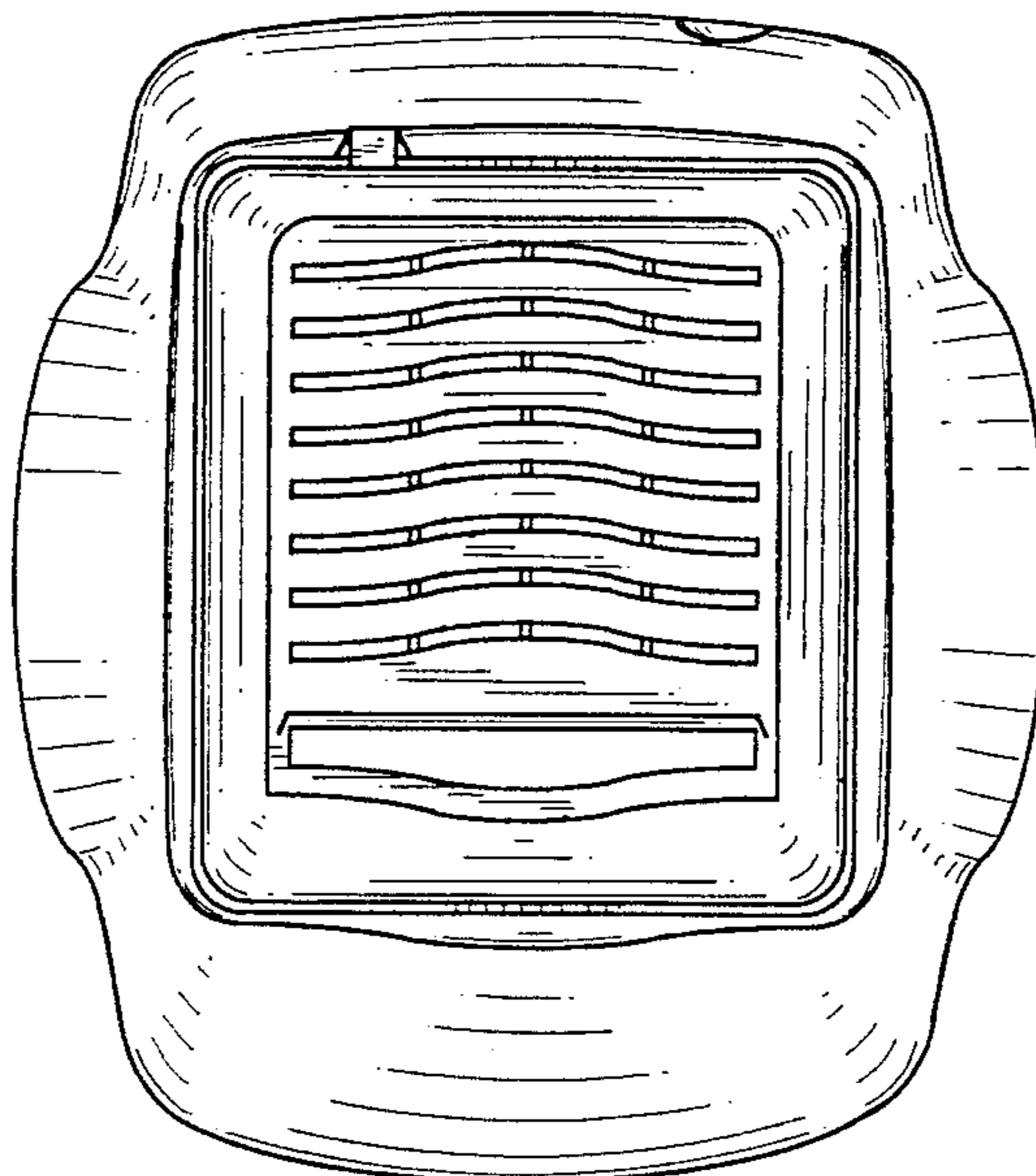
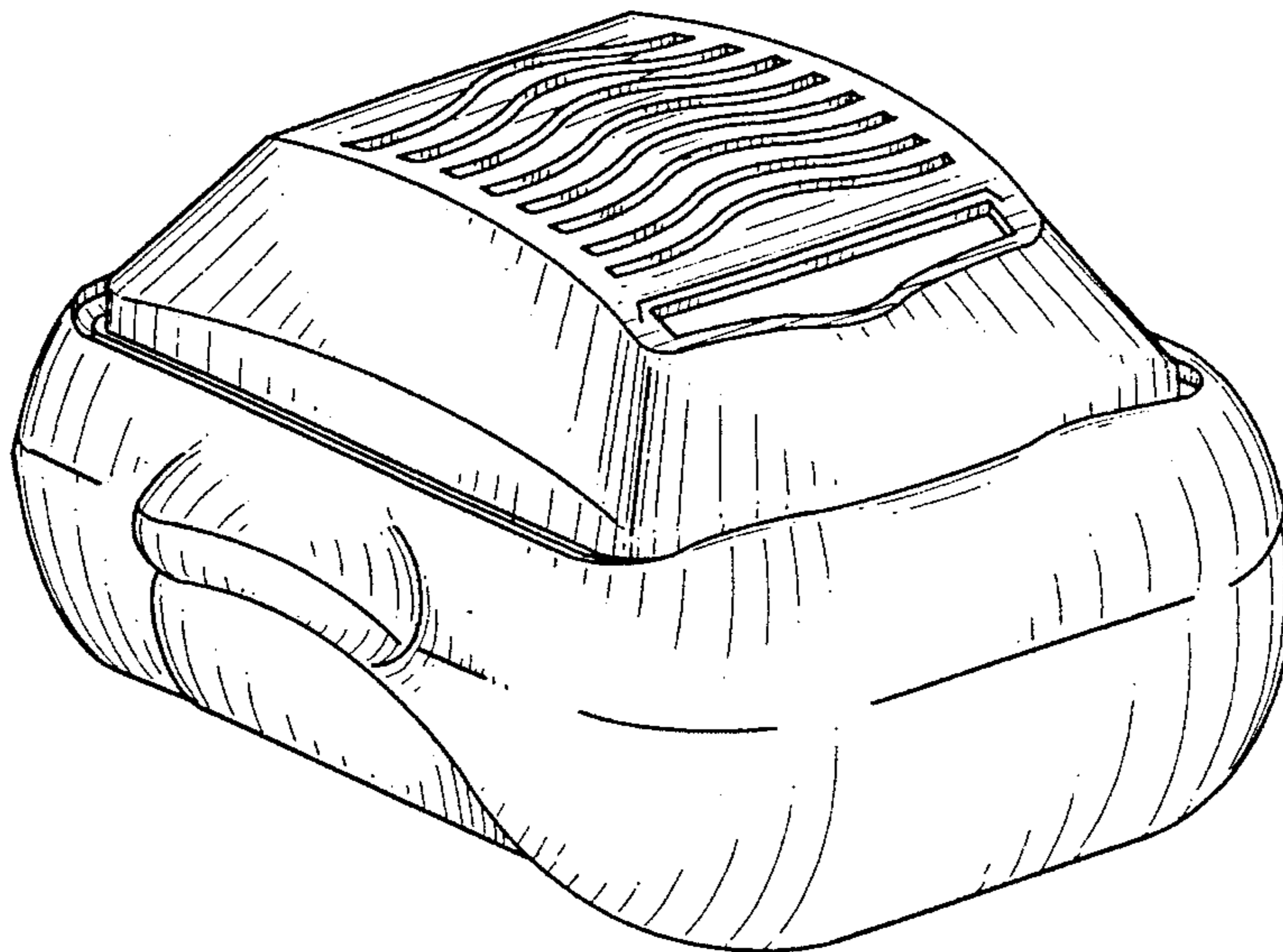
FIG. 7 is a right side elevational view thereof.

[56] References Cited

U.S. PATENT DOCUMENTS

D. 305,358 1/1990 Martinez D23/356
D. 305,562 1/1990 Martinez D23/356

1 Claim, 5 Drawing Sheets



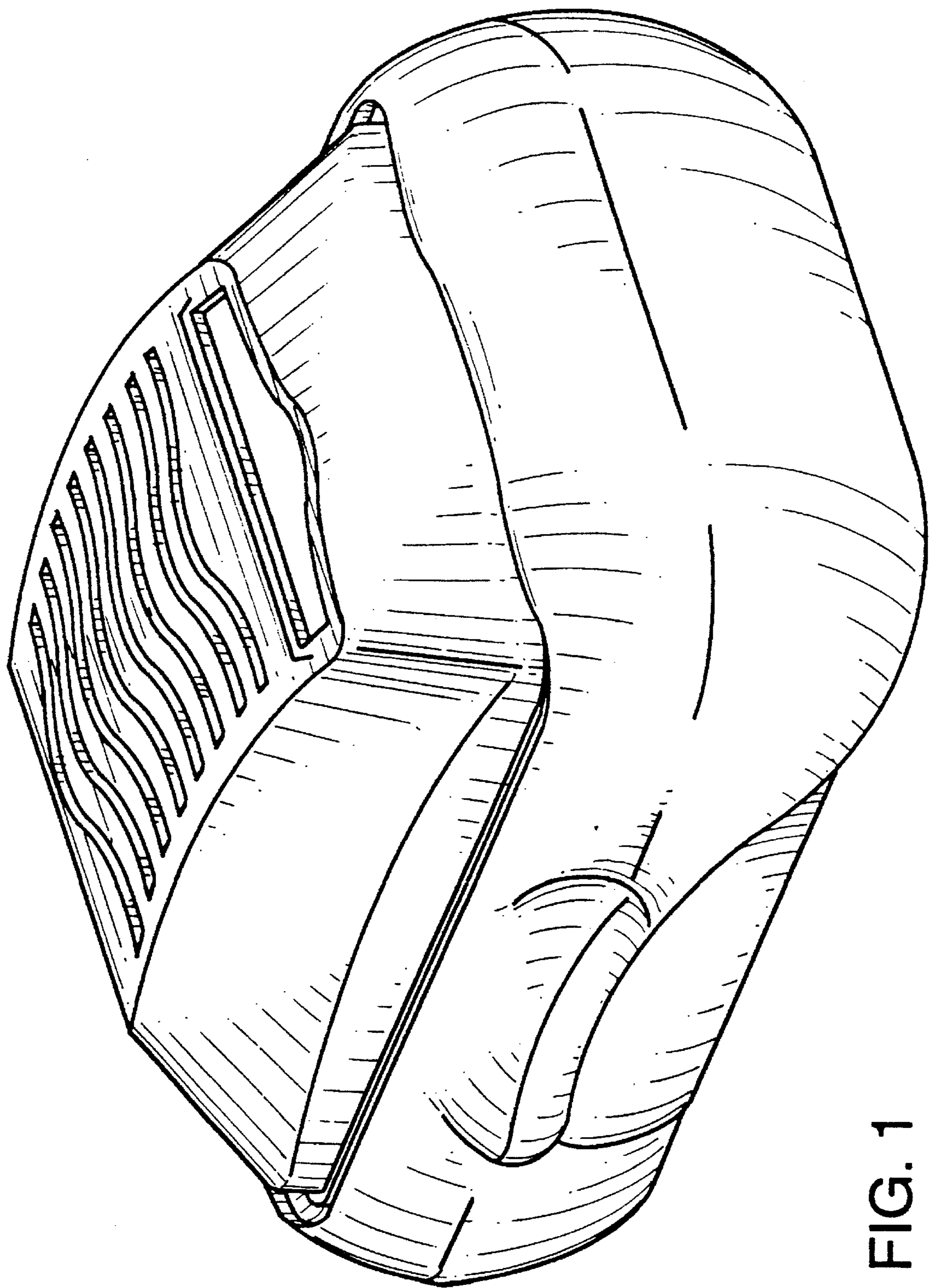


FIG. 1

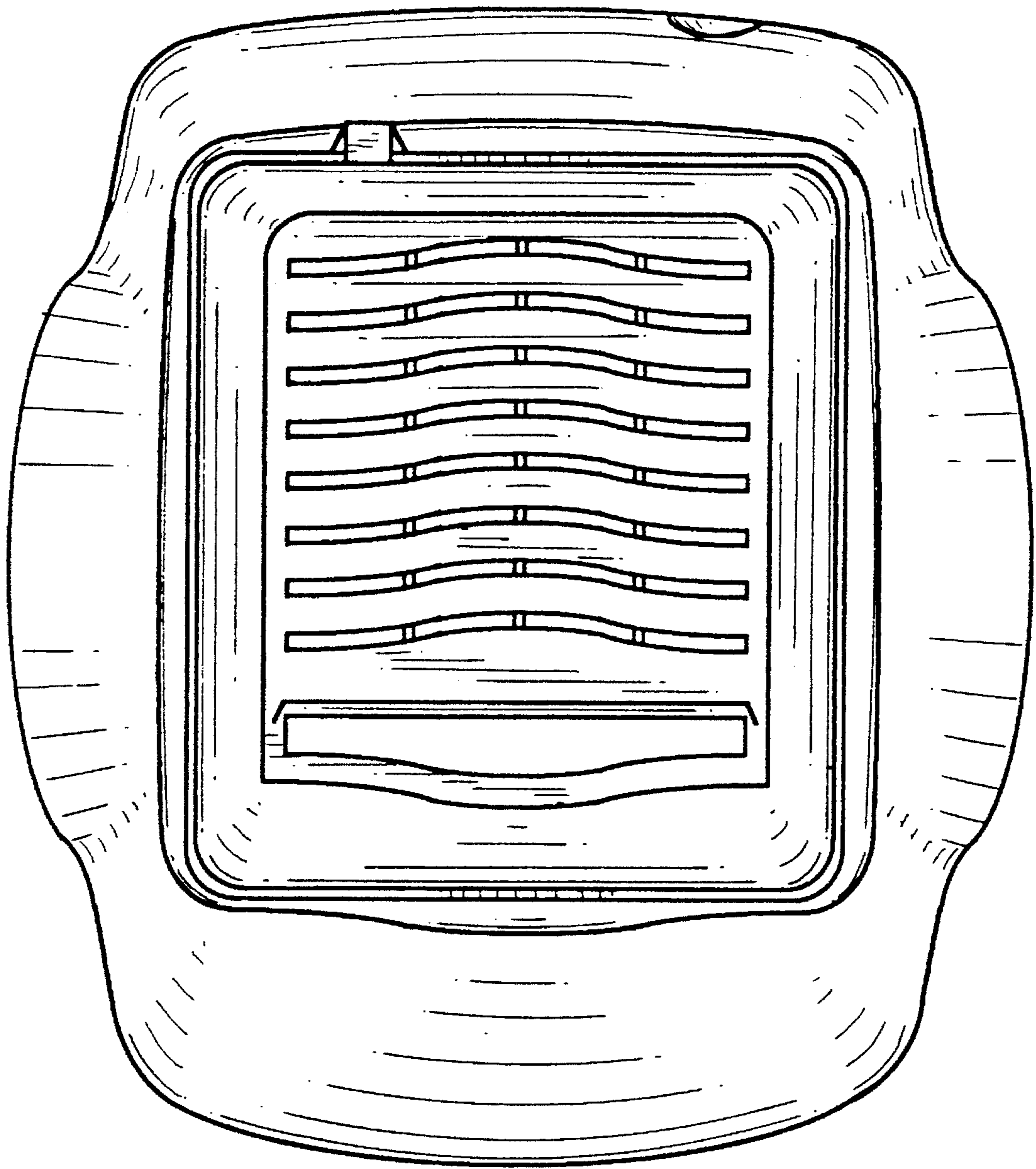


FIG. 2

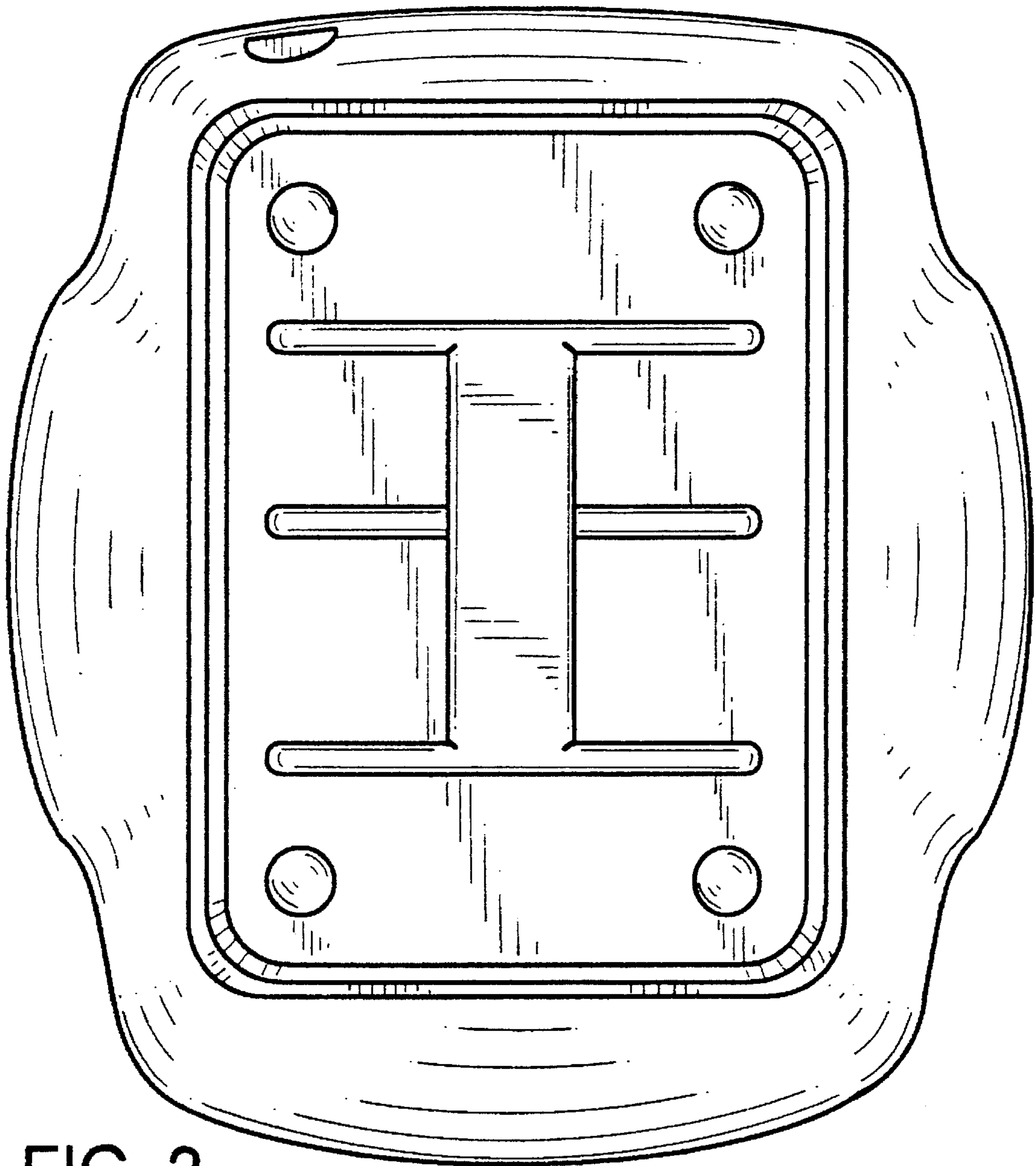


FIG. 3

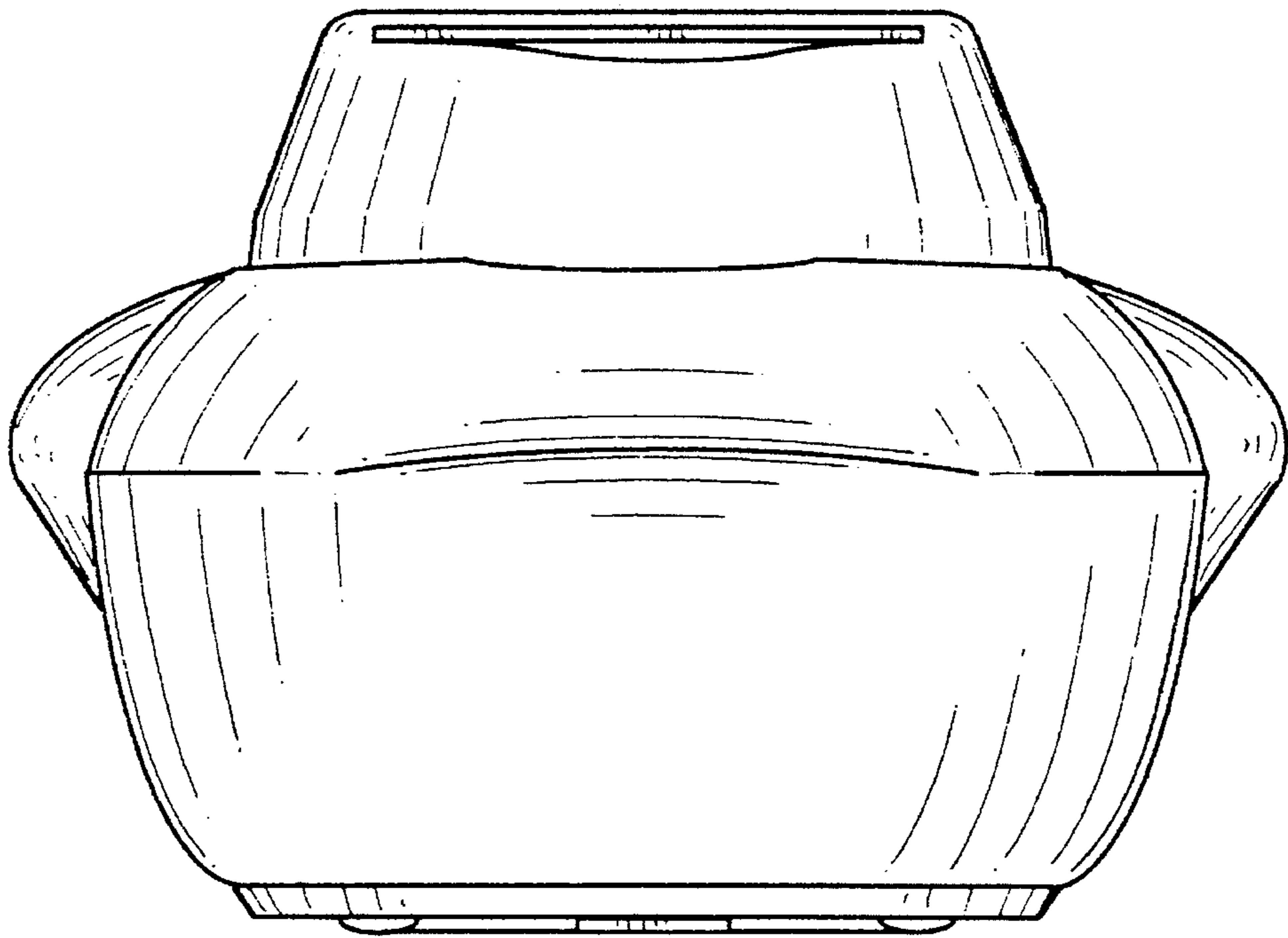


FIG. 4

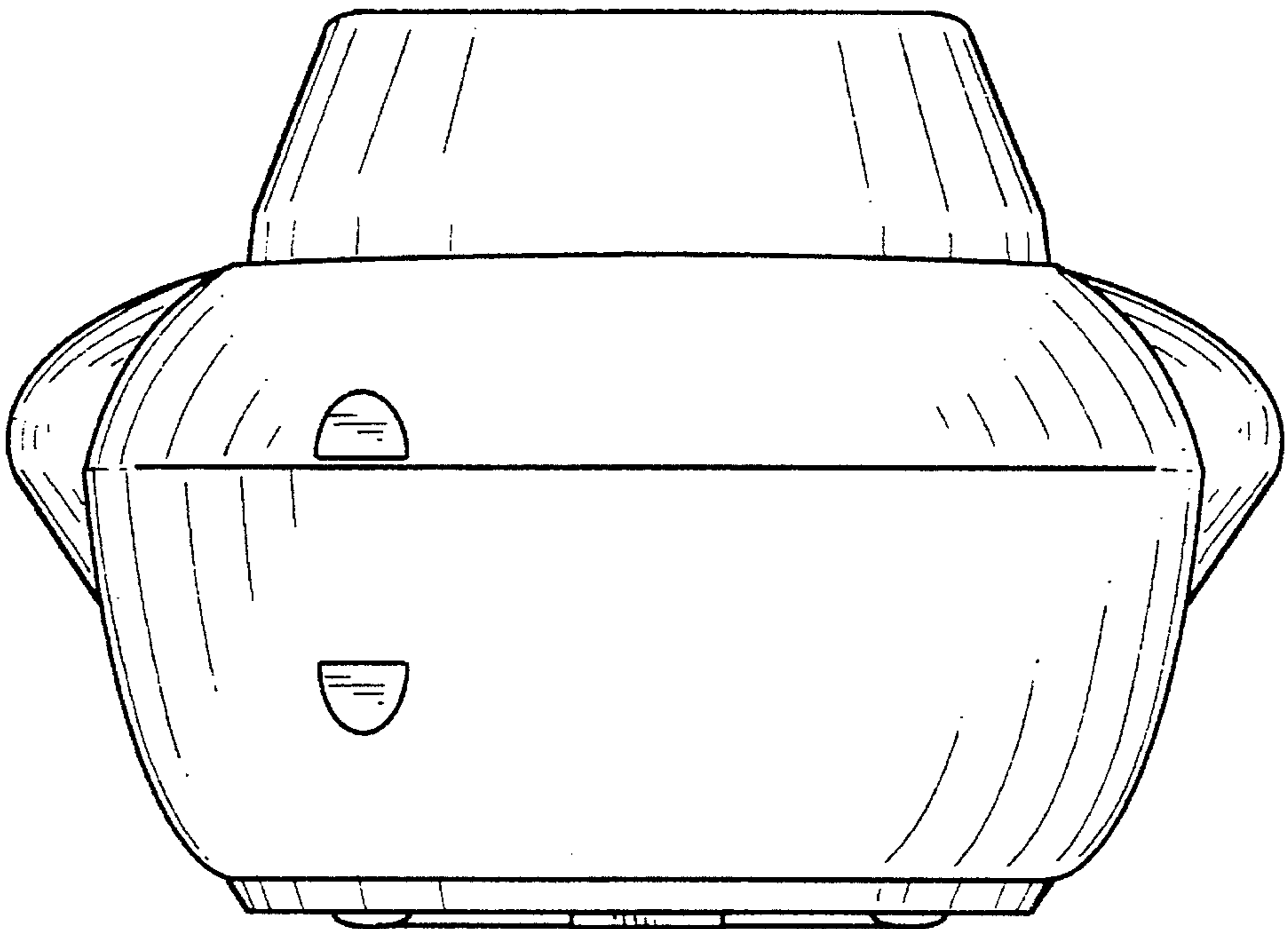


FIG. 5

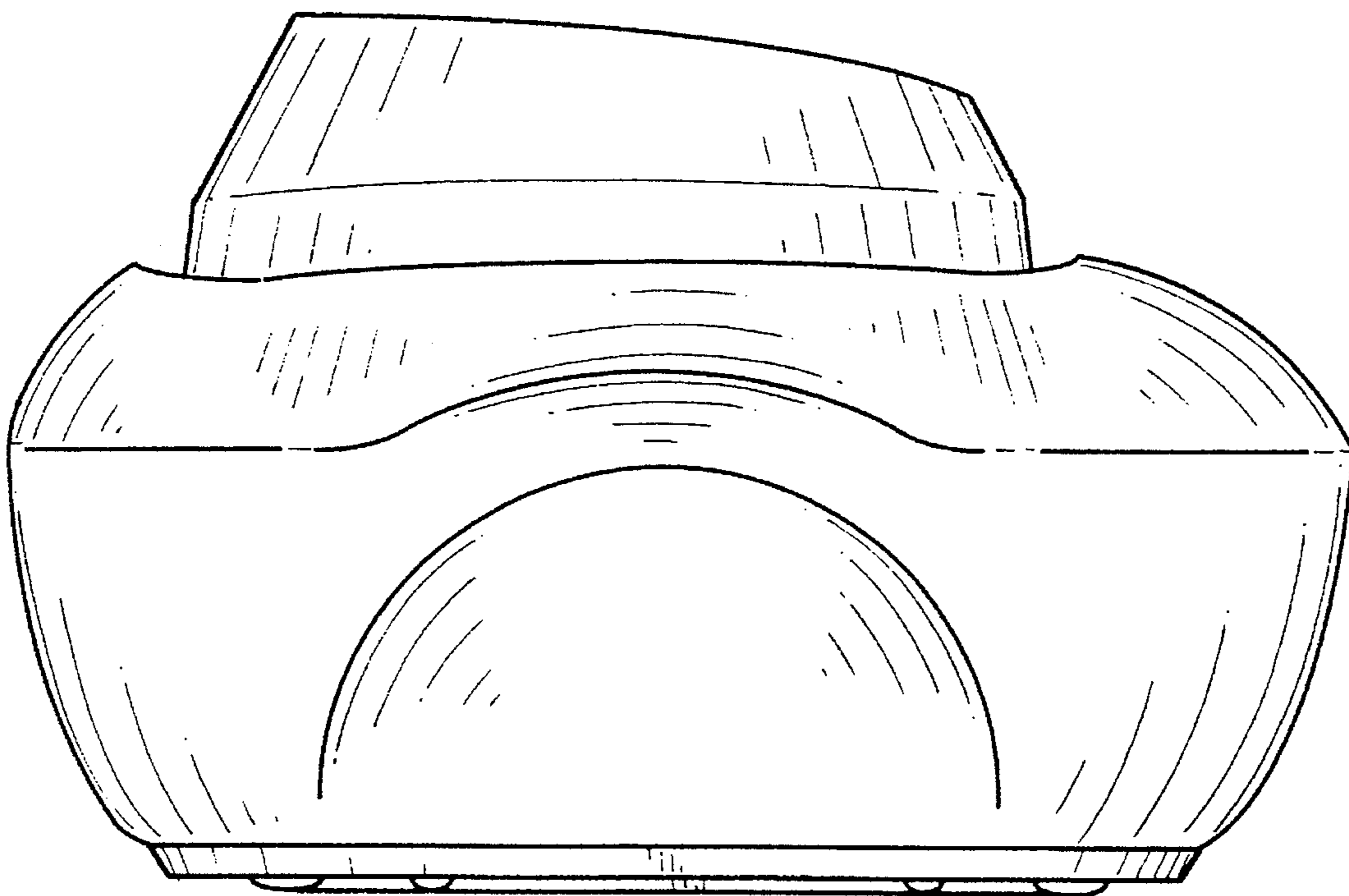


FIG. 6

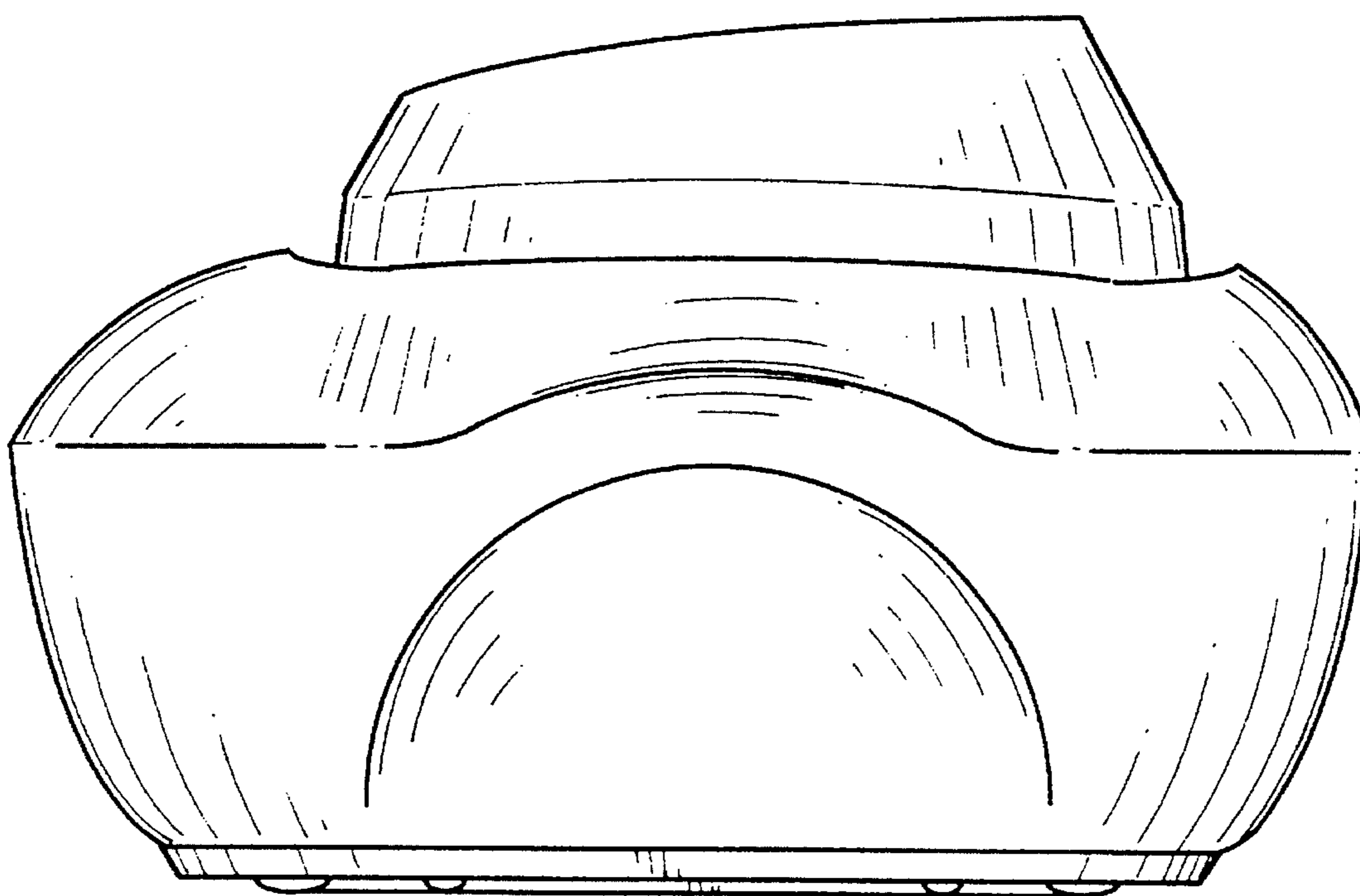


FIG. 7