



US00D376637S

# United States Patent [19]

[11] **Patent Number: Des. 376,637**

**Kieffer et al.**

[45] **Date of Patent: \*\*Dec. 17, 1996**

[54] **SPRAY GUN**

OTHER PUBLICATIONS

[75] Inventors: **Joseph W. Kieffer; Scott R. Carpenter**, both of Rogers; **Andrew L. Von Duyke**, Minnetonka, all of Minn.

#24A Gunjet p. 3 Spraying Systems Co. Bulletin 21 Oct. 1963.

DeVilbiss JGA gun; New Equipment Digest May, 1986.

[73] Assignee: **Wagner Spray Tech Corporation**, Minneapolis, Minn.

*Primary Examiner*—A. Hugo Word  
*Assistant Examiner*—Robin V. Taylor  
*Attorney, Agent, or Firm*—Faegre & Benson

[\*\*] Term: **14 Years**

[57] **CLAIM**

[21] Appl. No.: **46,953**

The ornamental design for a spray gun, as shown.

[22] Filed: **Nov. 22, 1995**

**DESCRIPTION**

[52] **U.S. Cl.** ..... **D23/223**

FIG. 1 is a perspective view of the spray gun of the present invention;

[58] **Field of Search** ..... D23/213, 223-230;  
239/301, 332, 394, 525-8, 690-1, 700-1,  
414, 415, 460-2, 390-1, 380-3

FIG. 2 is a top plan view thereof;

FIG. 3 is a bottom plan view thereof;

FIG. 4 is a front elevation view thereof;

FIG. 5 is a side elevation view thereof;

FIG. 6 is a rear elevation view thereof; and,

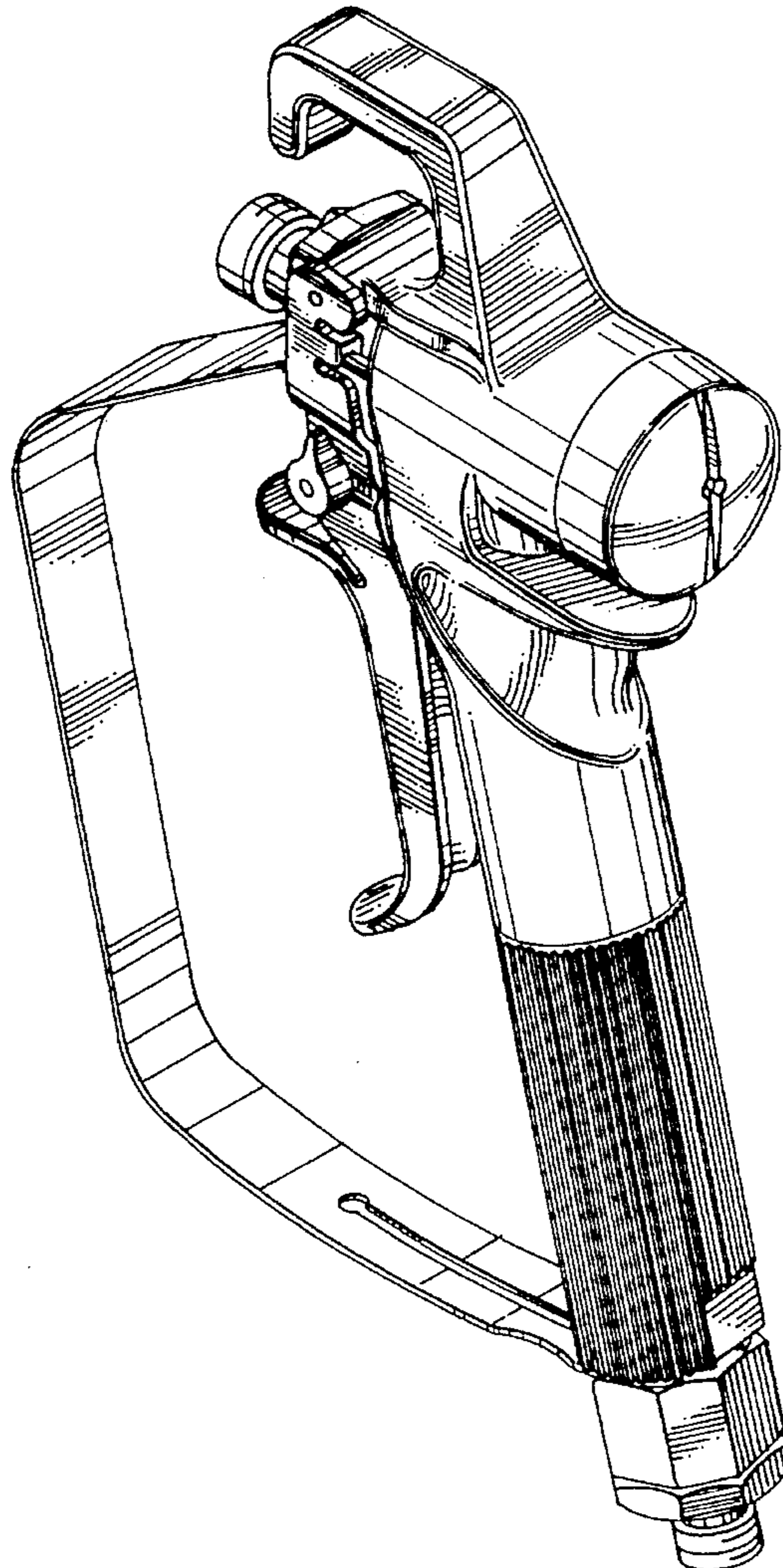
FIG. 7 is a side elevation view thereof, opposite the side in FIG. 5.

[56] **References Cited**

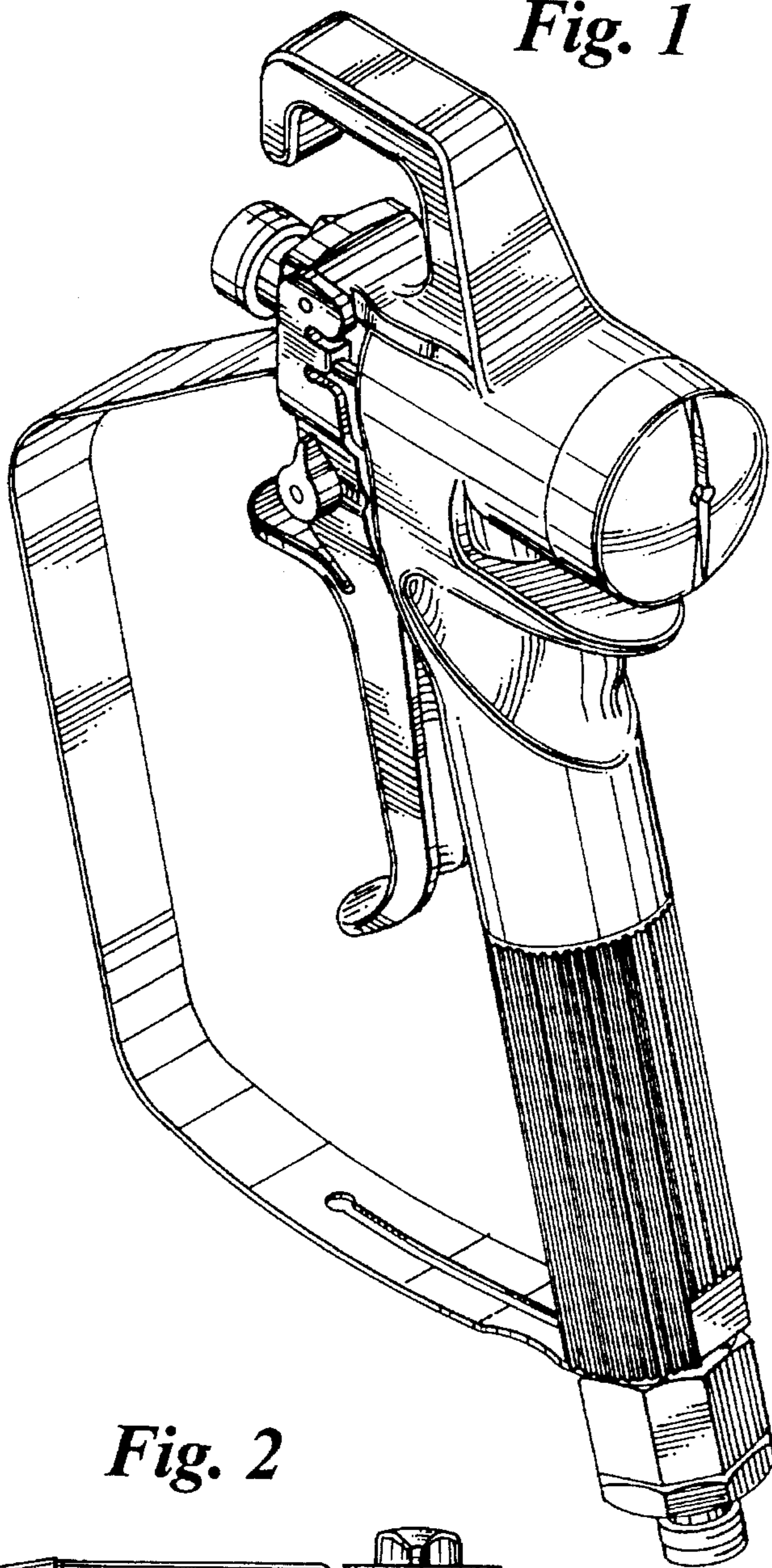
**U.S. PATENT DOCUMENTS**

D. 212,153	9/1968	Wagner	.....	D23/226
D. 252,097	6/1979	Probst et al.	.....	D23/226
D. 356,855	3/1995	Gebauer et al.	.....	D23/223
4,427,153	1/1984	Schaefer	.....	239/415

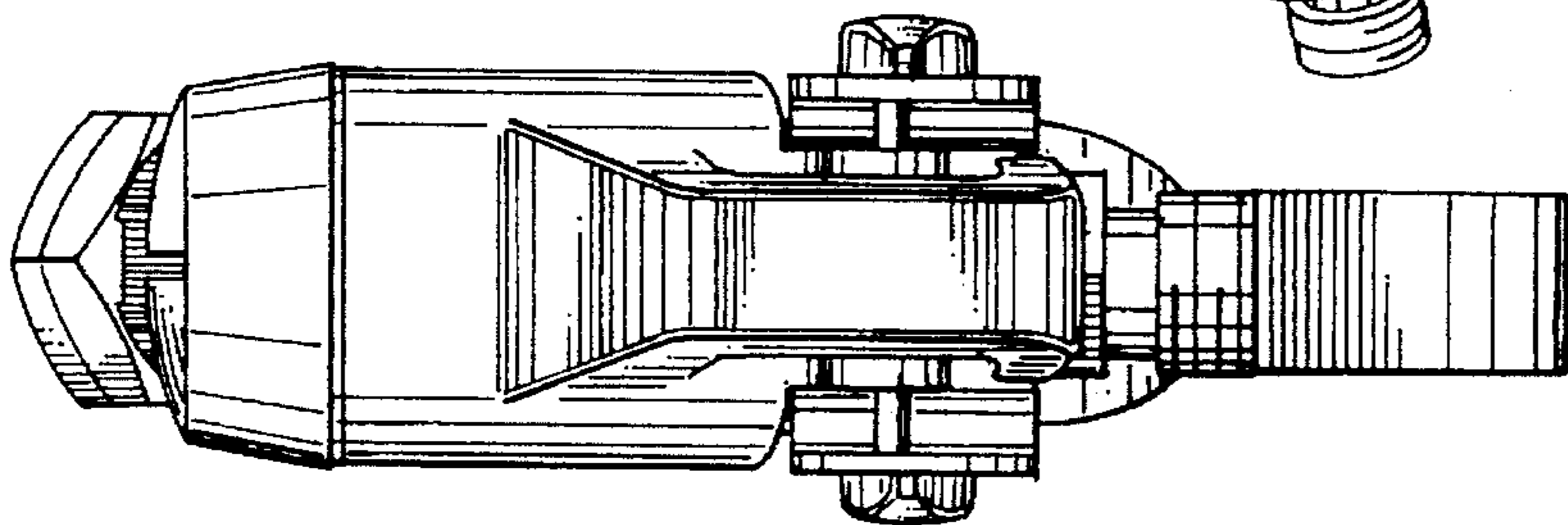
**1 Claim, 3 Drawing Sheets**



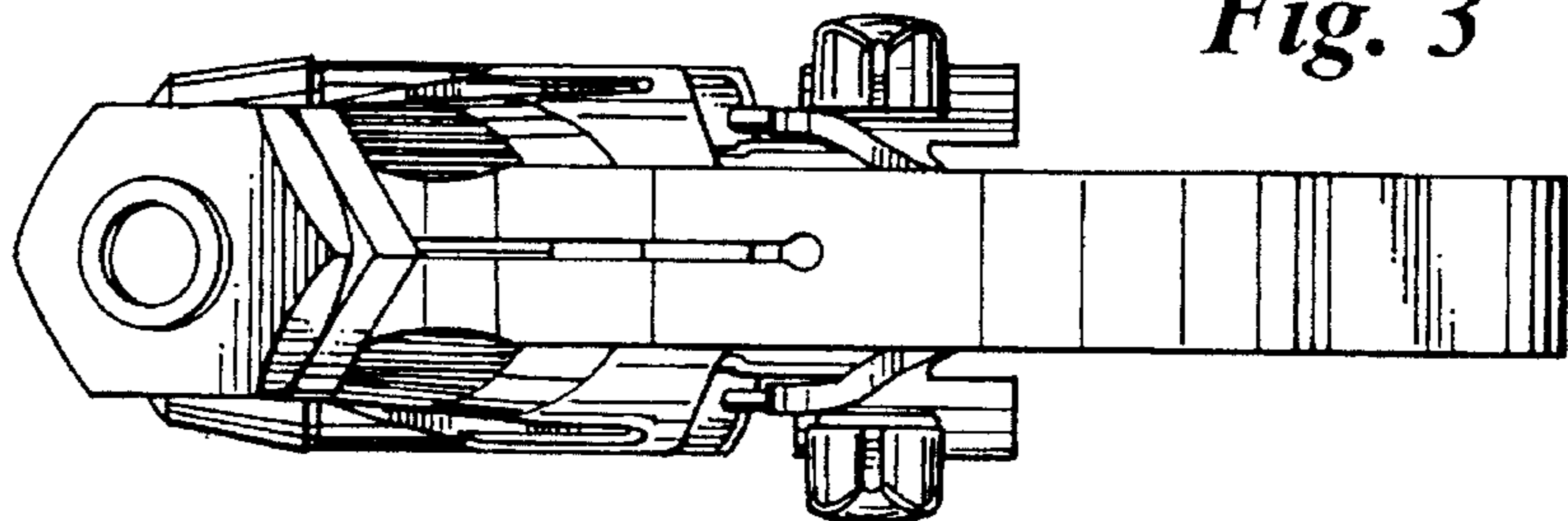
*Fig. 1*



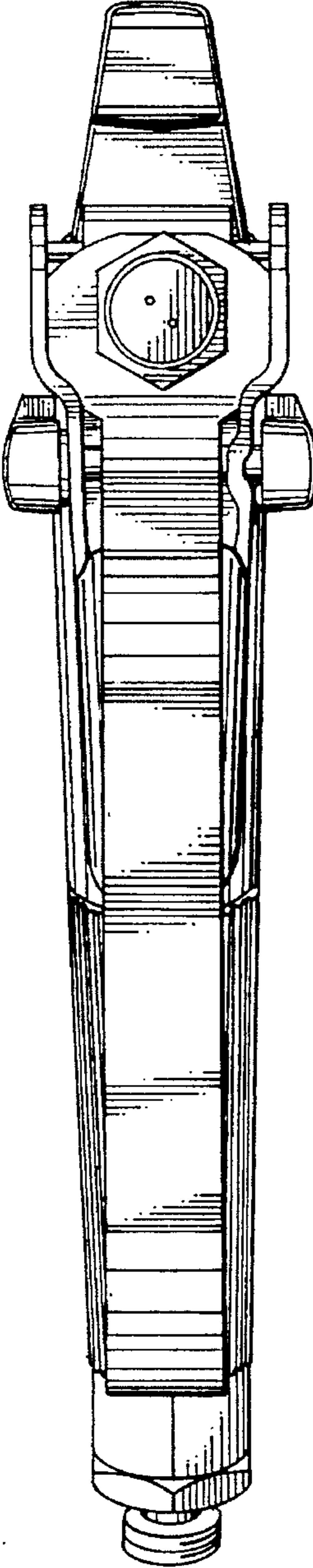
*Fig. 2*



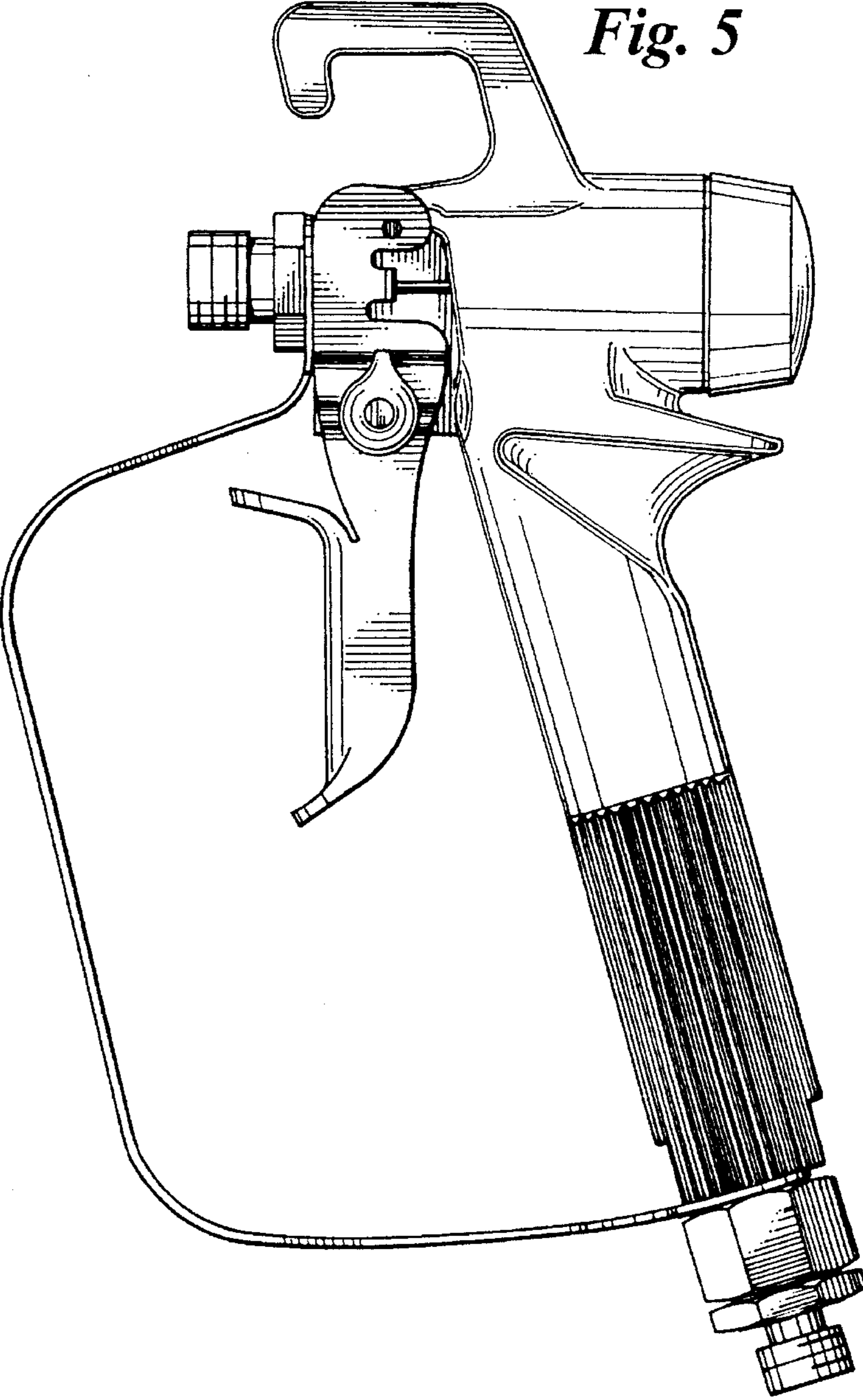
*Fig. 3*



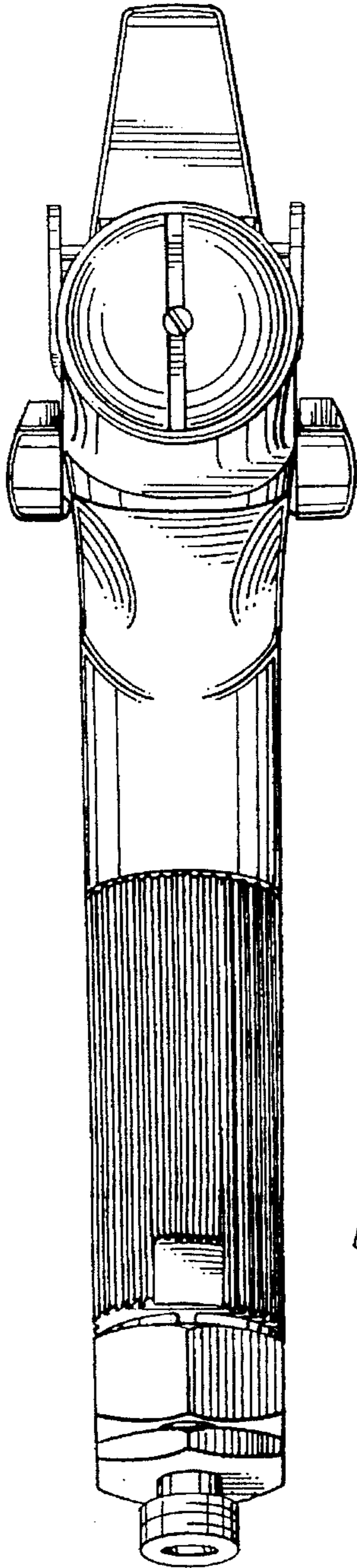
*Fig. 4*



*Fig. 5*



*Fig. 6*



*Fig. 7*

