



US00D376633S

United States Patent [19]

[11] Patent Number: **Des. 376,633**

Chiang

[45] Date of Patent: ****Dec. 17, 1996**

[54] **ROLLER SKATE FRAME**

5,331,752	7/1994	Johnson et al.	280/11.22
5,452,907	9/1995	Meibock et al.	280/11.22
5,484,164	1/1996	McInerney et al.	280/11.22

[76] Inventor: **Yueh-Pi Chiang**, No. 164, Shen Chou Rd, Shen Kang Hsiang, Taichung Hsien, Taiwan

Primary Examiner—Raphael Barkai
Attorney, Agent, or Firm—Charles E. Baxley, Esq.

[**] Term: **14 Years**

[57] **CLAIM**

[21] Appl. No.: **247,500**

The ornamental design for a roller skate frame, as shown and described.

[22] Filed: **Dec. 6, 1995**

[52] U.S. Cl. **D21/226**

DESCRIPTION

[58] **Field of Search** D21/224-227;
280/11.12, 11.19, 11.22, 11.26, 11.27, 87.041,
87.042, 87.05, 811, 816; 301/5.3, 5.7, 54

FIG. 1 is a perspective view of a roller skate frame shown my new design;

FIG. 2 is a front elevational view thereof; and the rear elevational being a mirror image of that shown;

FIG. 3 is a left side elevational view thereof;

FIG. 4 is a right side elevation view thereof;

FIG. 5 is a top plan view thereof;

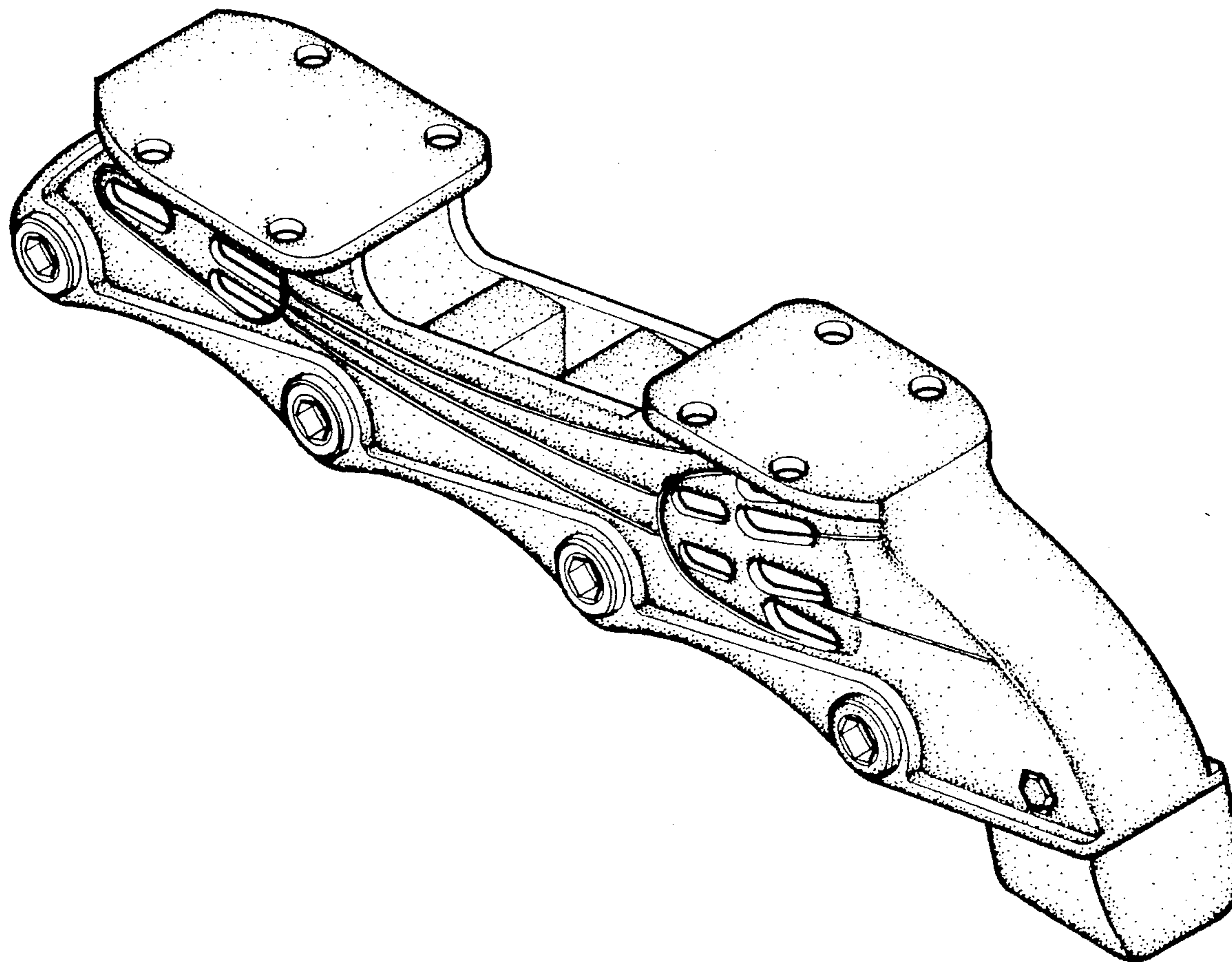
FIG. 6 is a bottom plan view thereof.

[56] **References Cited**

U.S. PATENT DOCUMENTS

D. 324,253	2/1992	Soo	D21/226
D. 334,607	4/1993	Soo	D21/226
D. 363,964	11/1995	Chen	D21/226
D. 365,617	12/1995	Chen	D21/226
D. 365,866	1/1996	Cheng	D21/226

1 Claim, 3 Drawing Sheets



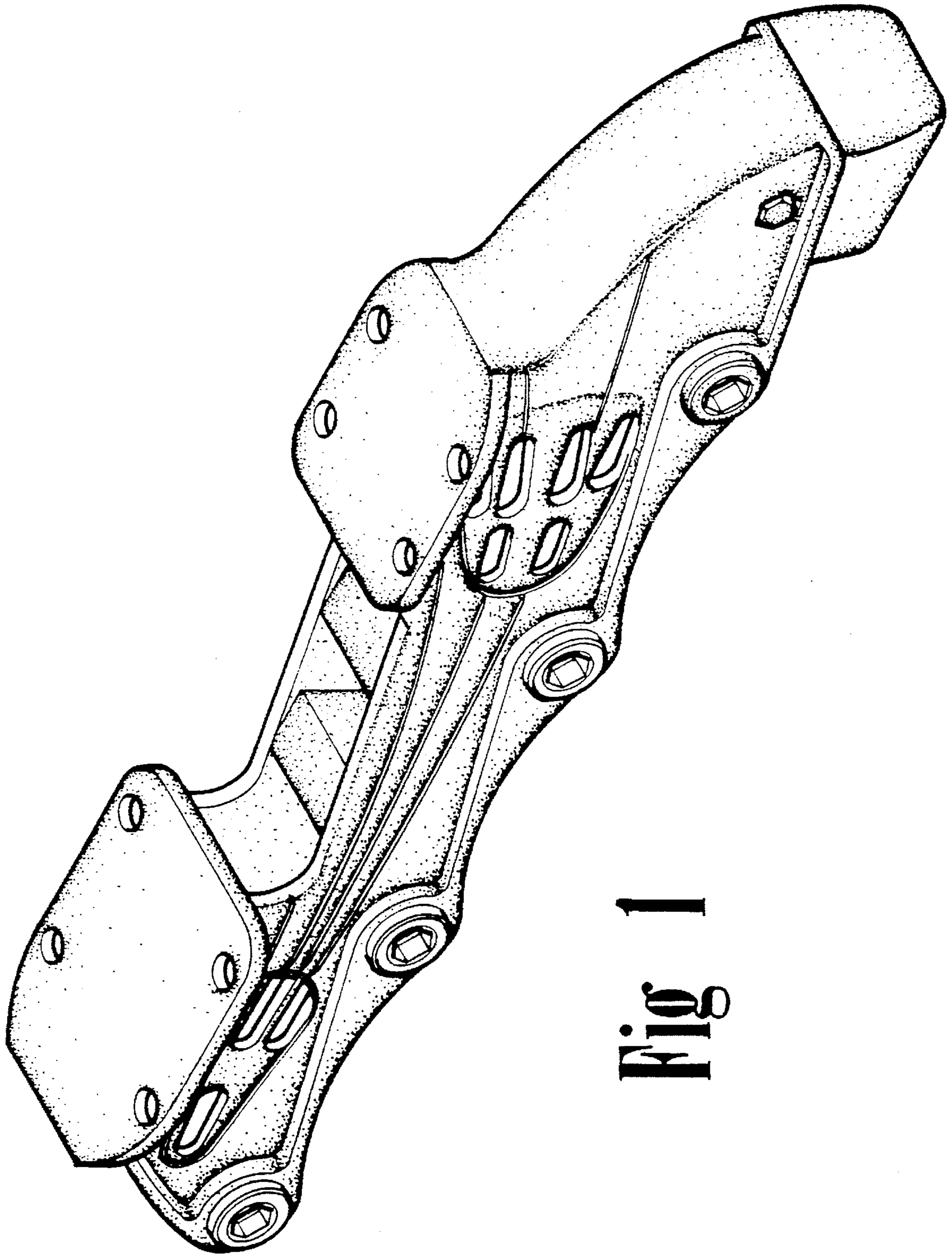


Fig 1

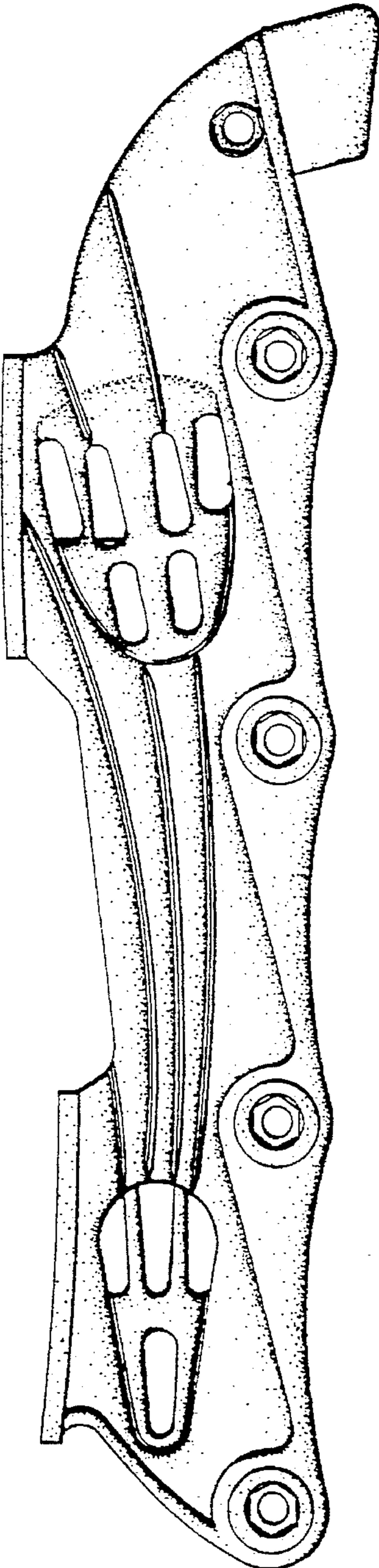


Fig 2

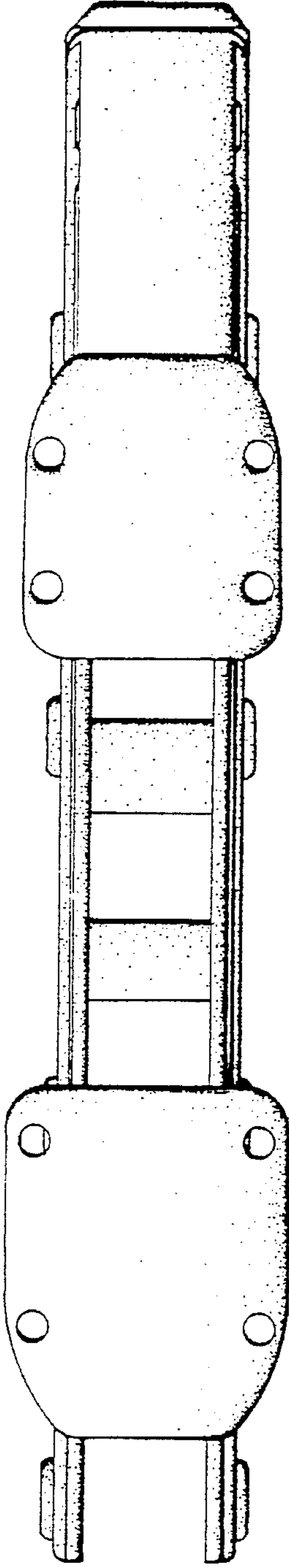


Fig 5

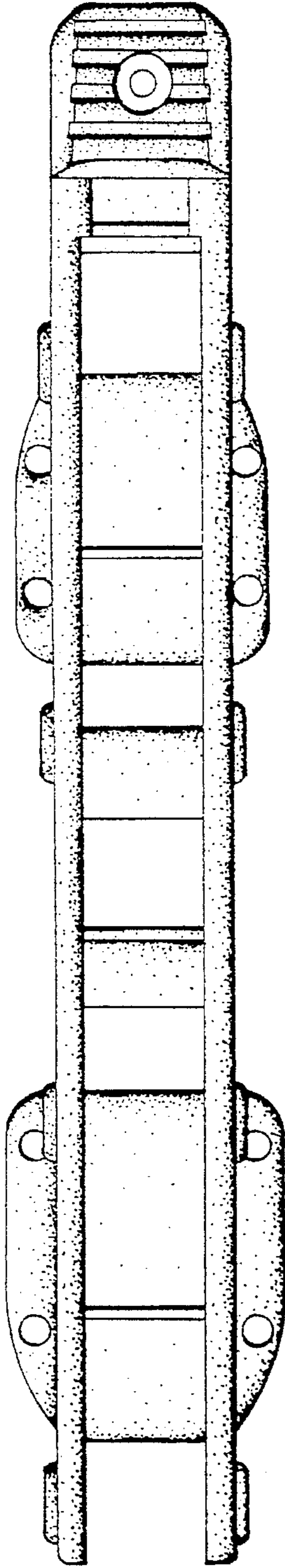


Fig 6

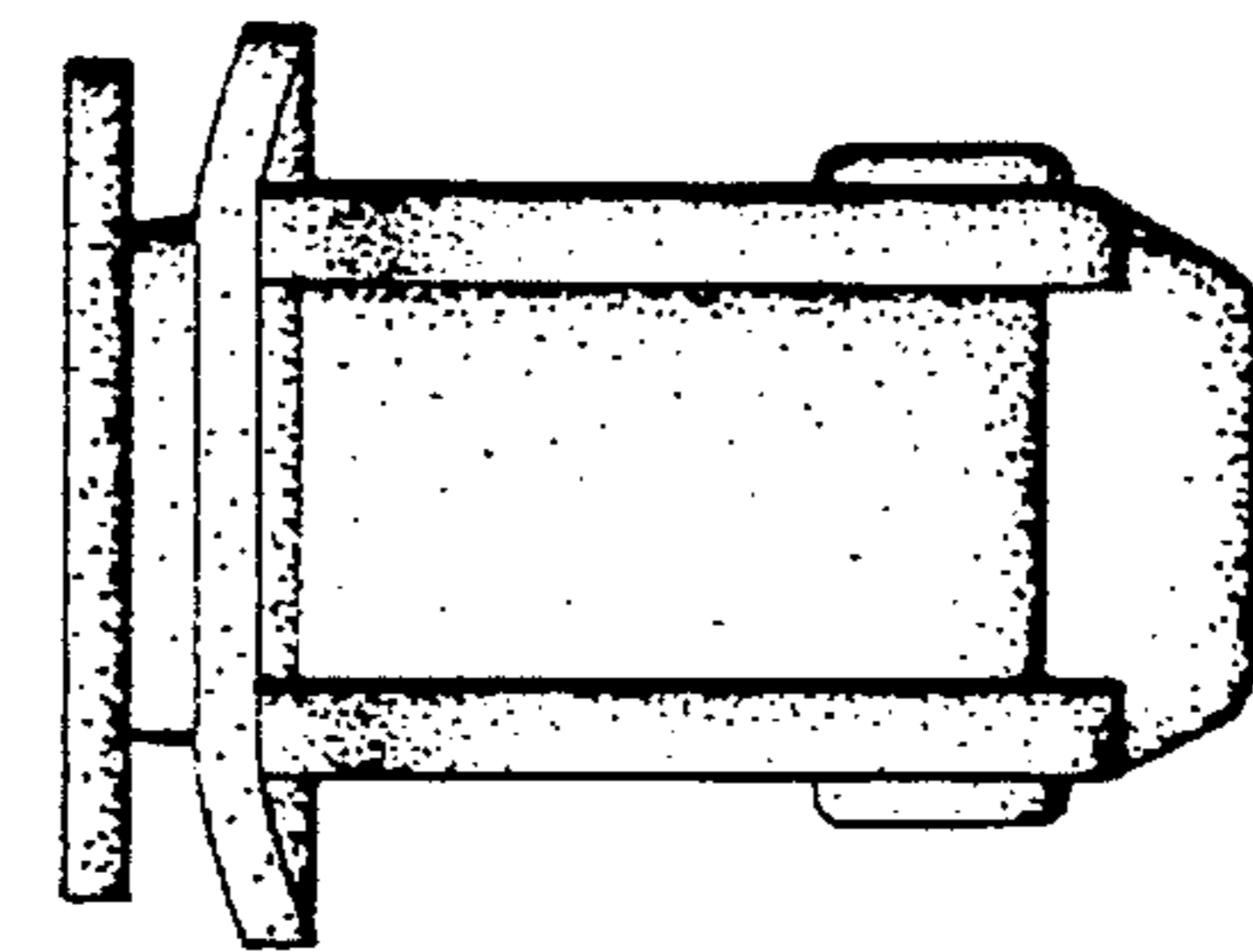


Fig 3

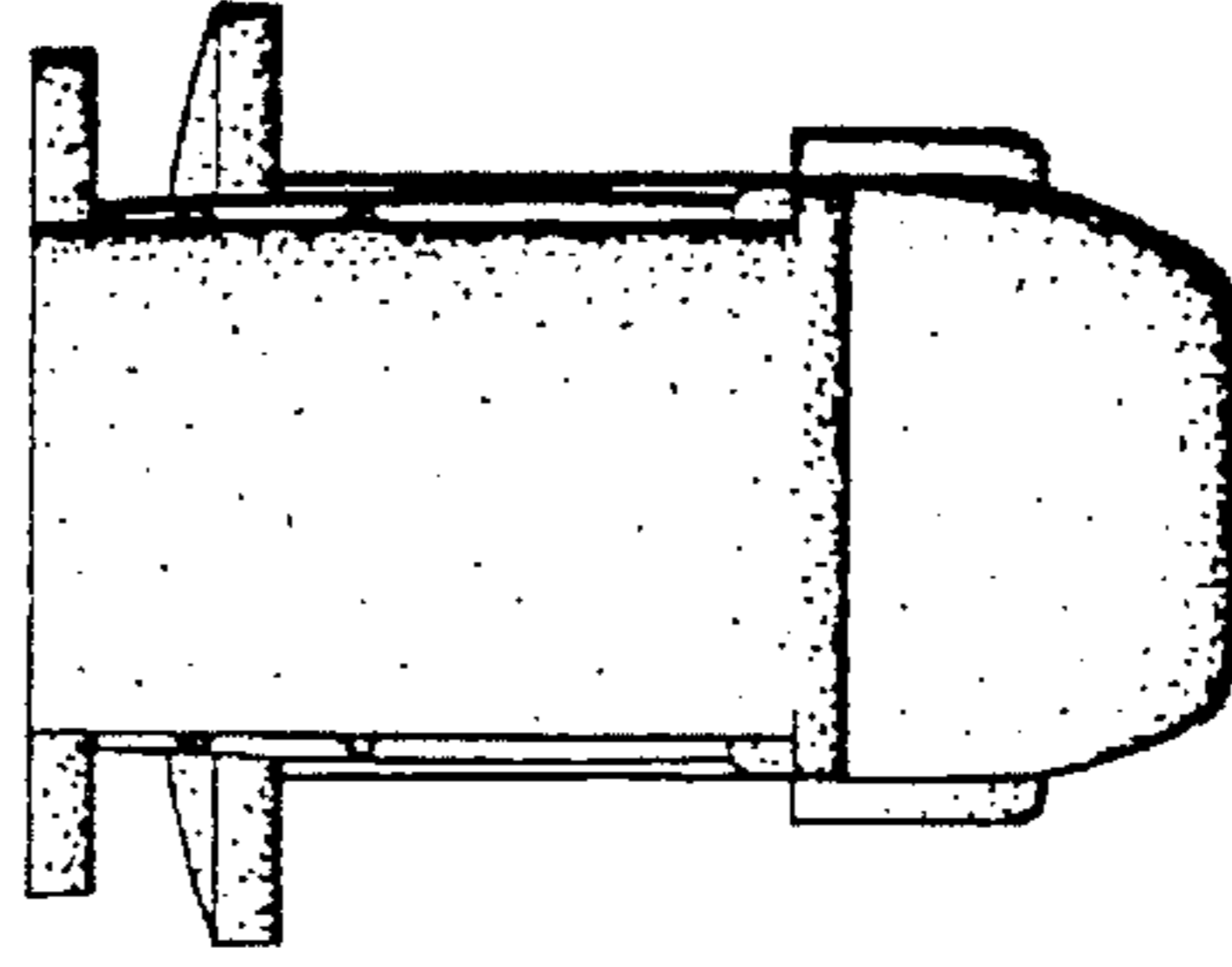


Fig 4