



US00D376630S

United States Patent [19]

[11] Patent Number: **Des. 376,630**

Bradford et al.

[45] Date of Patent: ****Dec. 17, 1996**

[54] **ADJUSTABLE DISTANCE TEE-MARKER**

1,959,347 5/1934 Czichos D21/234 X
3,433,452 11/1969 Bidwell et al. 273/32 H

[76] Inventors: **H. William Bradford**, 38 County Rd.,
Essex, Mass. 01929; **Peter E. Carr**, 82
Brow Ave., Braintree, Mass. 02184

Primary Examiner—Prabhakar G. Deshmukh
Assistant Examiner—Cheri Cohen

[**] Term: **14 Years**

[57] **CLAIM**

[21] Appl. No.: **31,371**

The ornamental design for a adjustable distance tee-marker,
as shown.

[22] Filed: **Nov. 23, 1994**

DESCRIPTION

[52] U.S. Cl. **D21/208**

[58] Field of Search D21/208, 204,
D21/205, 234; 273/33, 32.5, 32 A, 32 B,
32 R, 195 R, 202–212

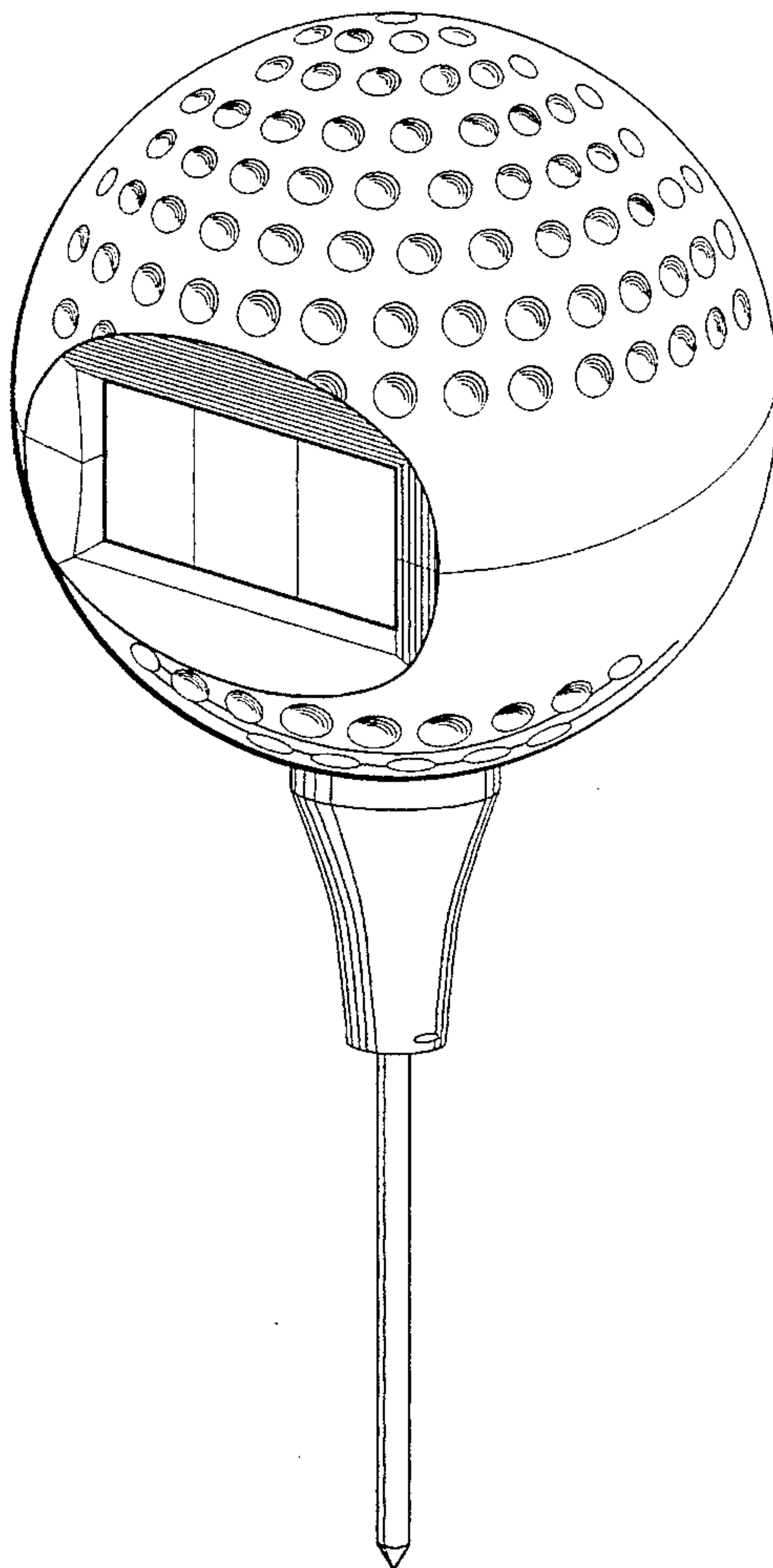
FIG. 1 is a perspective view of an adjustable distance tee marker showing our new design;
FIG. 2 is a front elevation view thereof;
FIG. 3 is a right side elevation view thereof, the opposite side being a mirror image;
FIG. 4 is a rear elevation view thereof;
FIG. 5 is a top plan view thereof;
FIG. 6 is a bottom plan view thereof; and,
FIG. 7 is a perspective view of a second alternate embodiment, the corresponding views are similar to the first embodiment as disclosed in FIGS. 2–6 inclusive with the exception of the dimples.
The partial dimple pattern in FIGS. 2–6 is understood to cover the entire surface.

[56] References Cited

U.S. PATENT DOCUMENTS

D. 235,743	7/1975	Izenzon	D10/97
D. 288,258	2/1987	Oden	D21/208 X
D. 288,942	3/1987	Saladino et al.	D21/204 X
D. 306,632	3/1990	Gouin	D21/234
D. 312,292	11/1990	Retacco et al.	D21/234
D. 319,170	8/1991	Franke	D21/208 X
D. 339,753	9/1993	Dionne	D10/46.1
D. 367,907	3/1996	Sandstrom et al.	D21/234
1,832,947	11/1931	Spears et al.	273/32 H

1 Claim, 7 Drawing Sheets



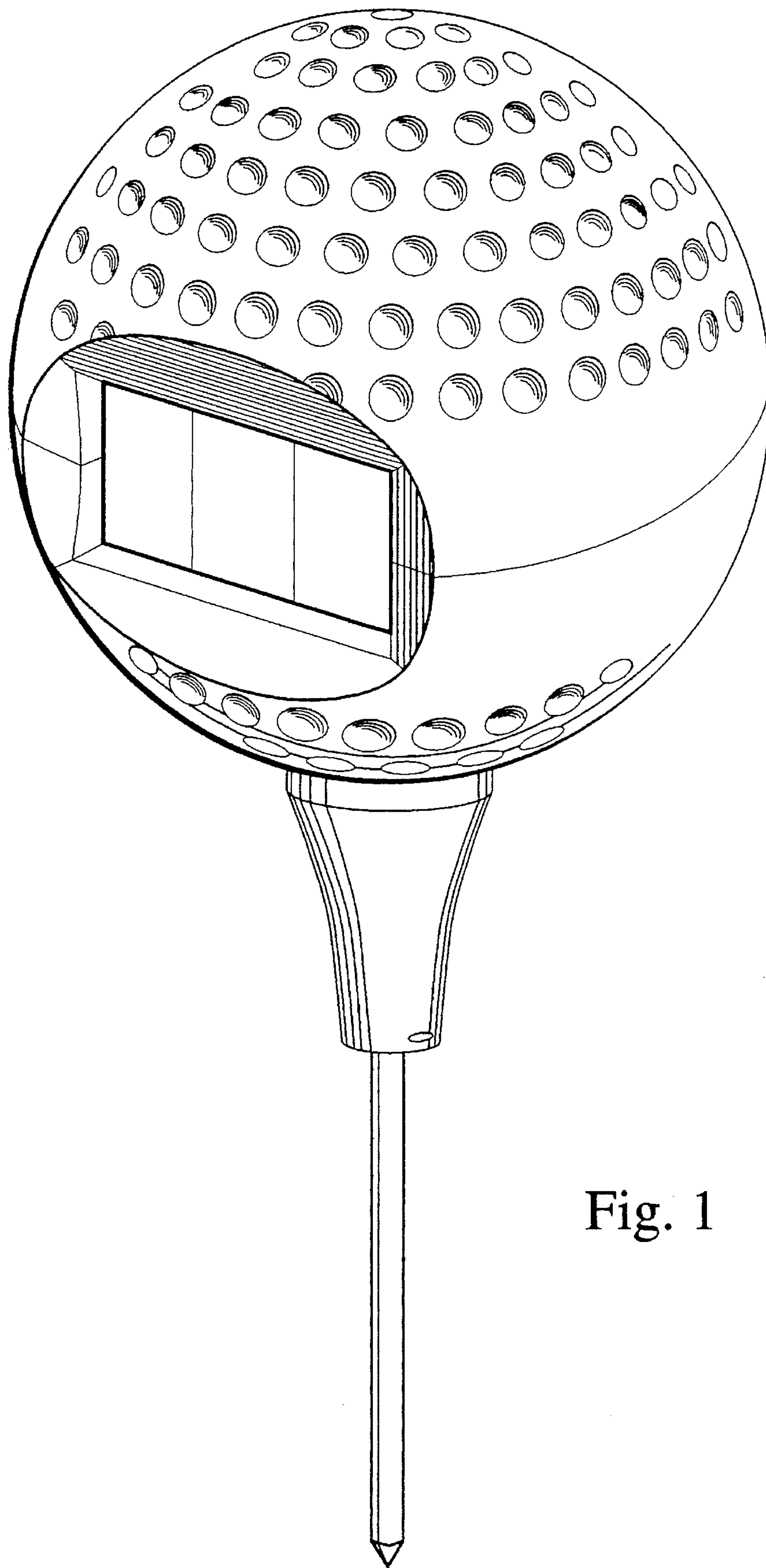


Fig. 1

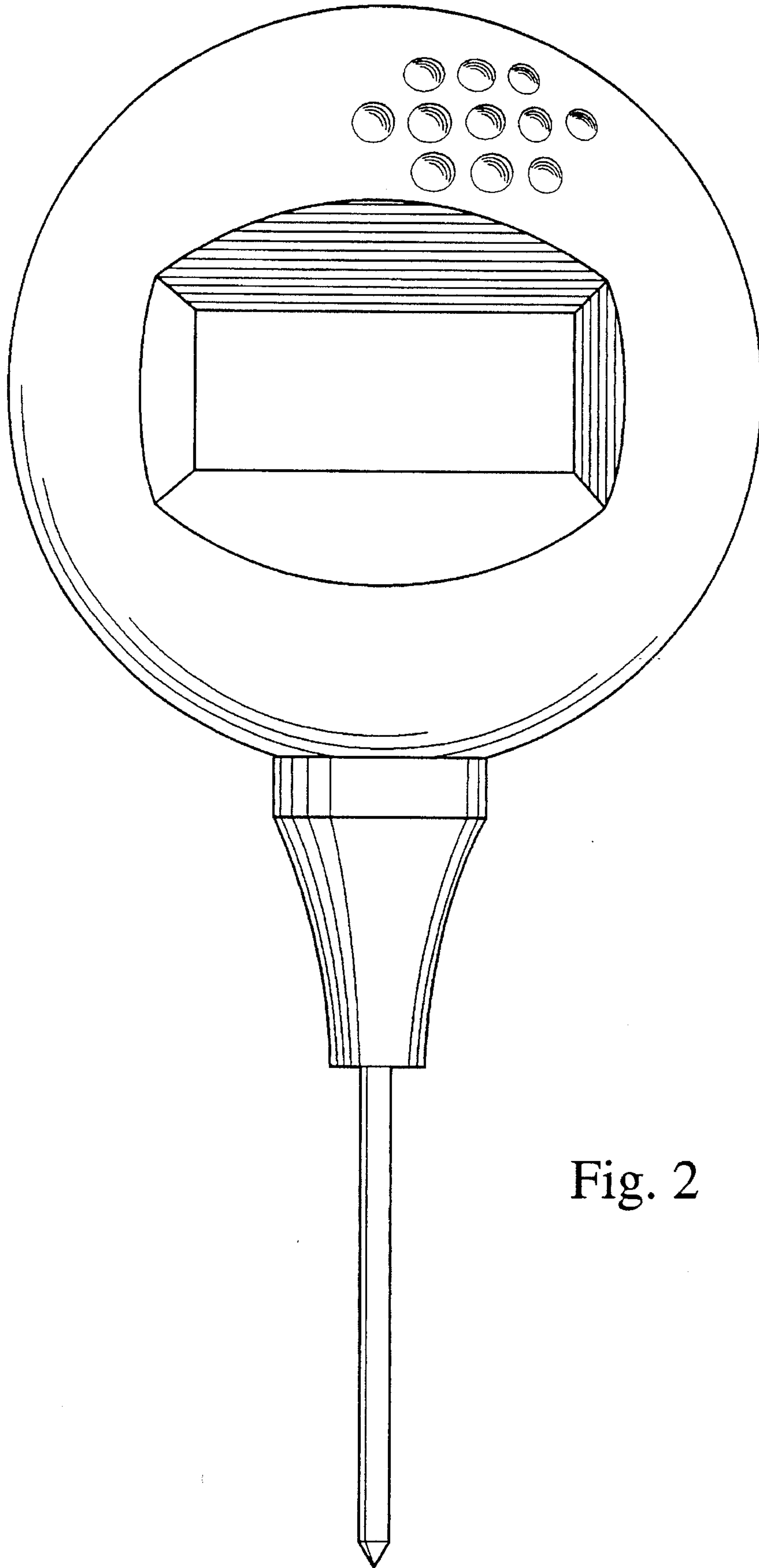


Fig. 2

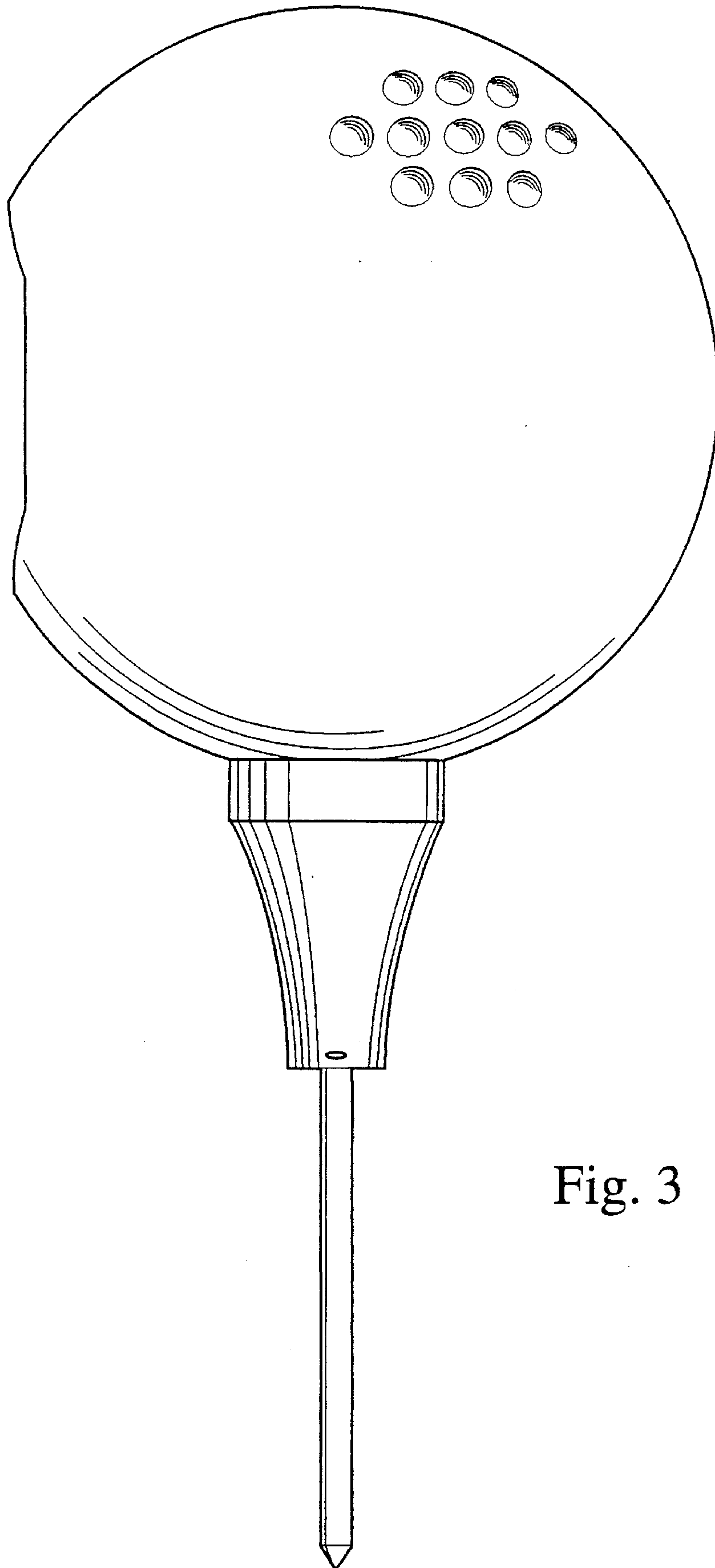


Fig. 3

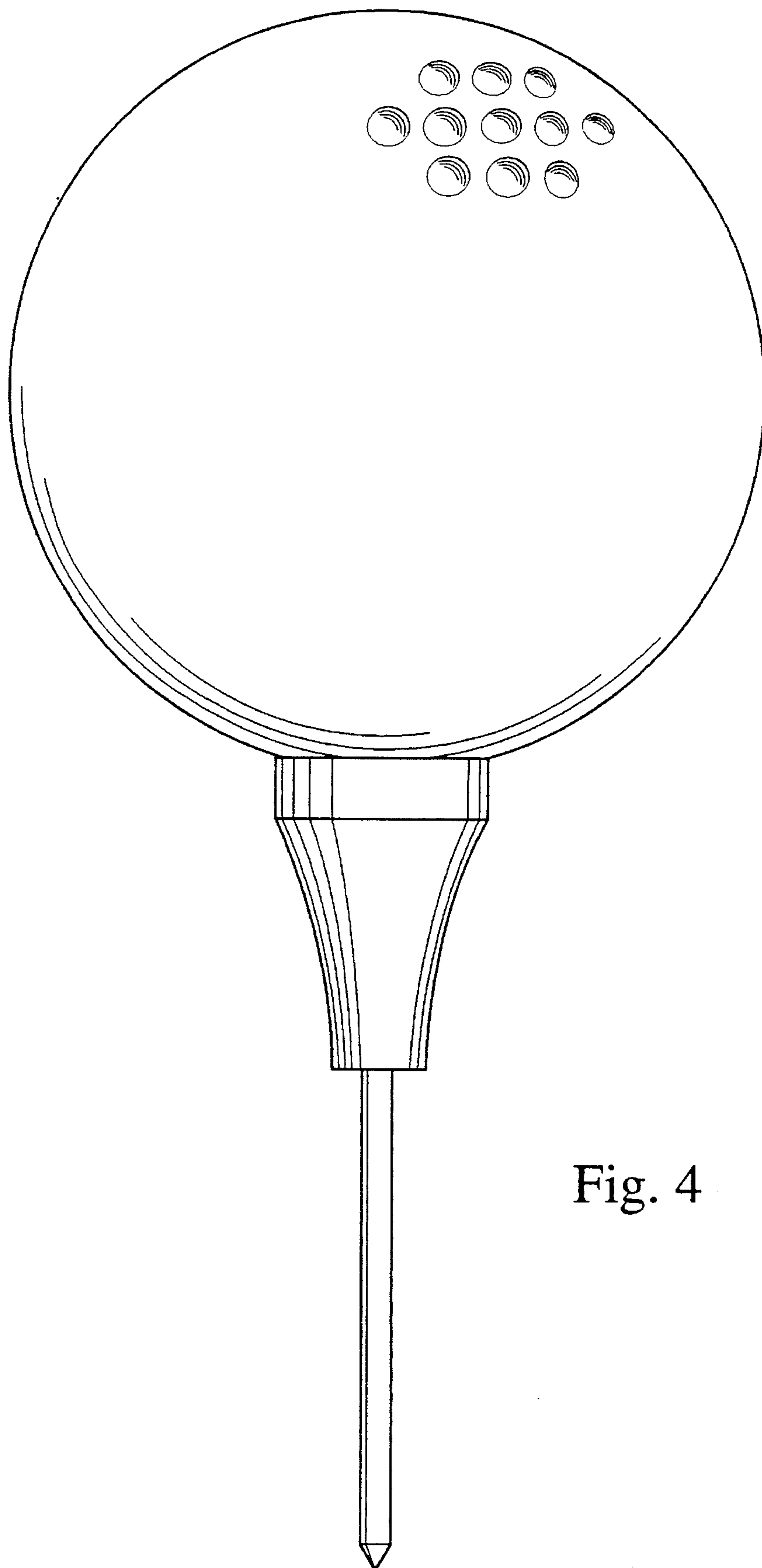


Fig. 4

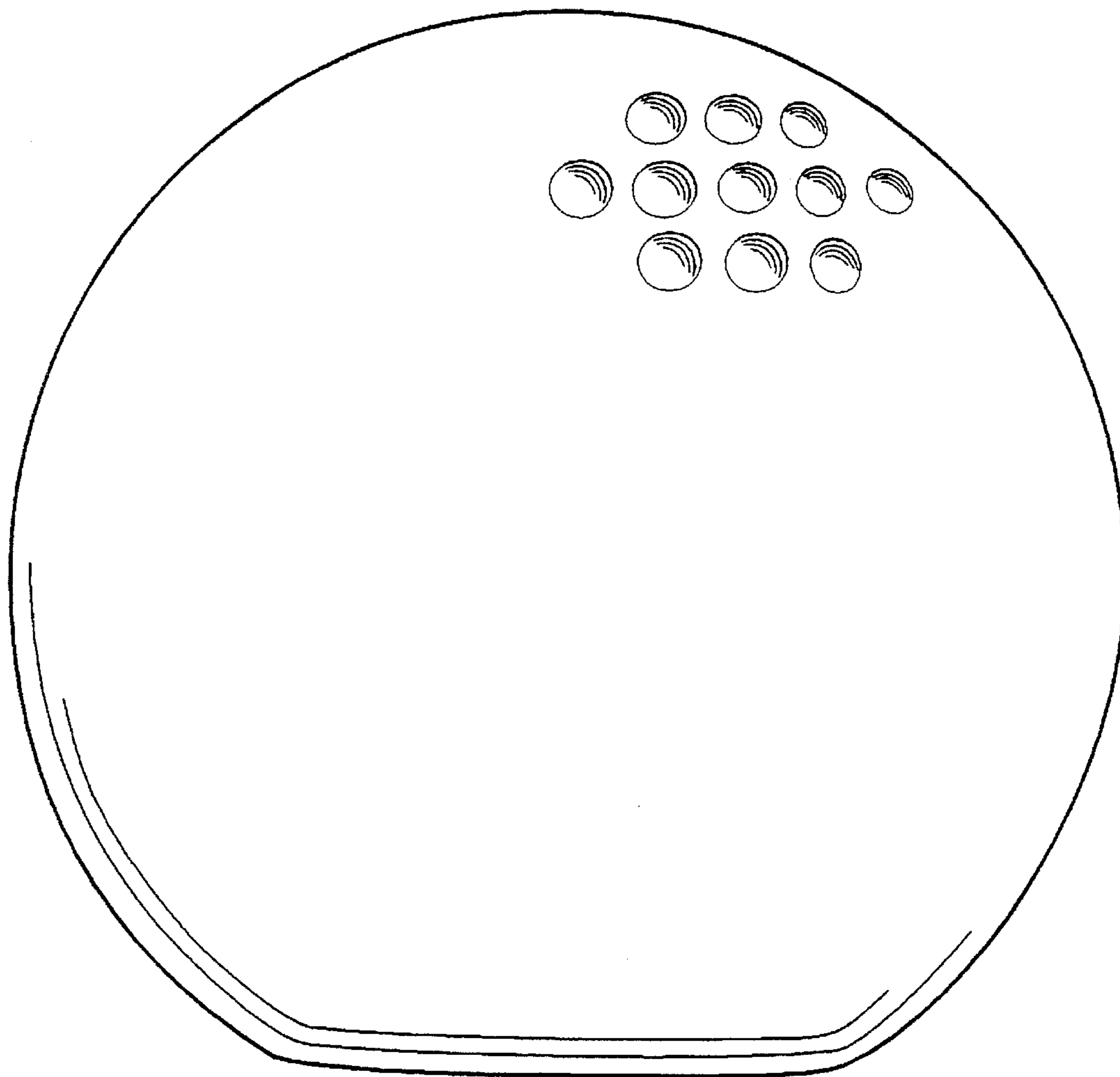


Fig. 5

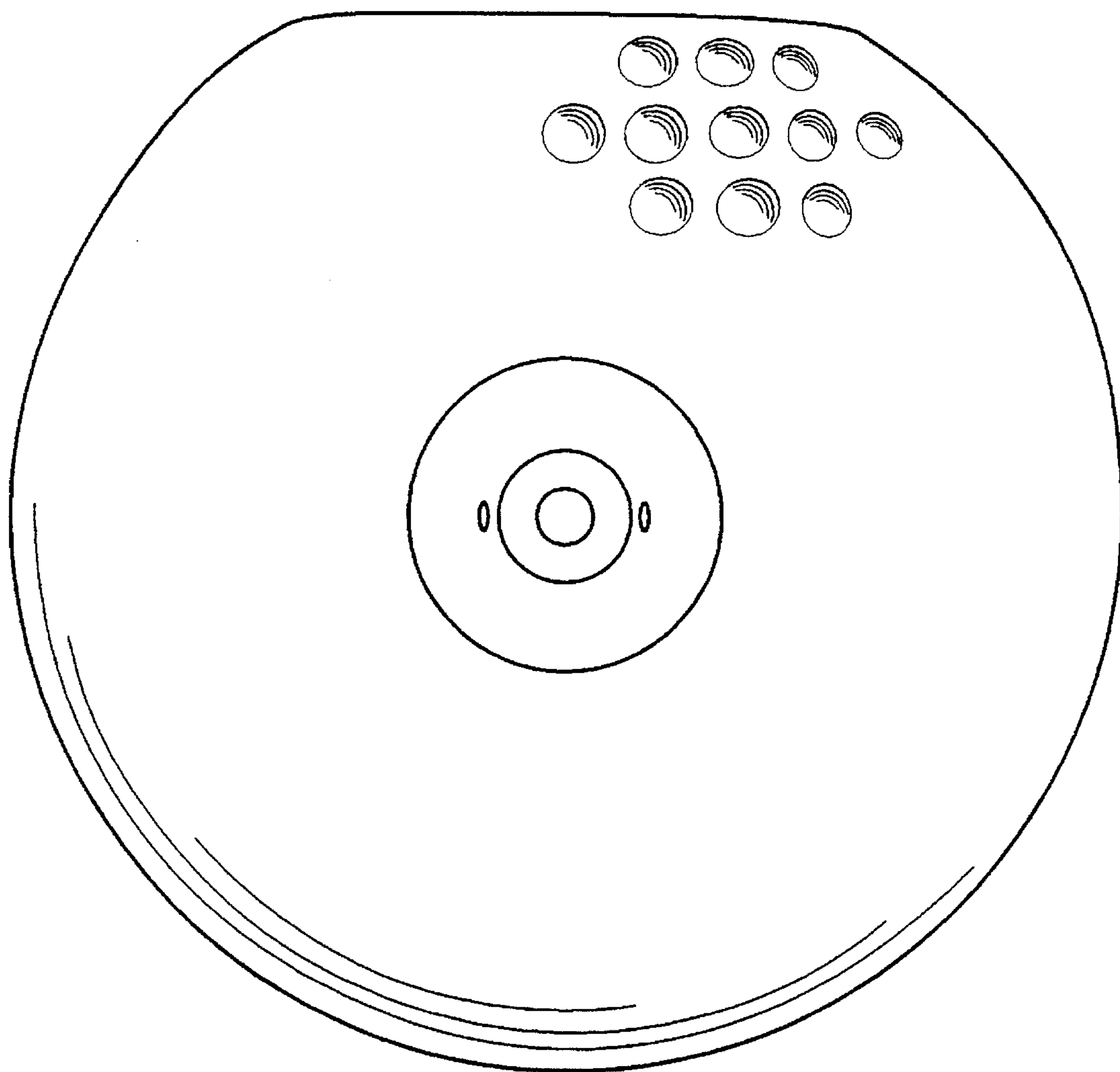


Fig. 6

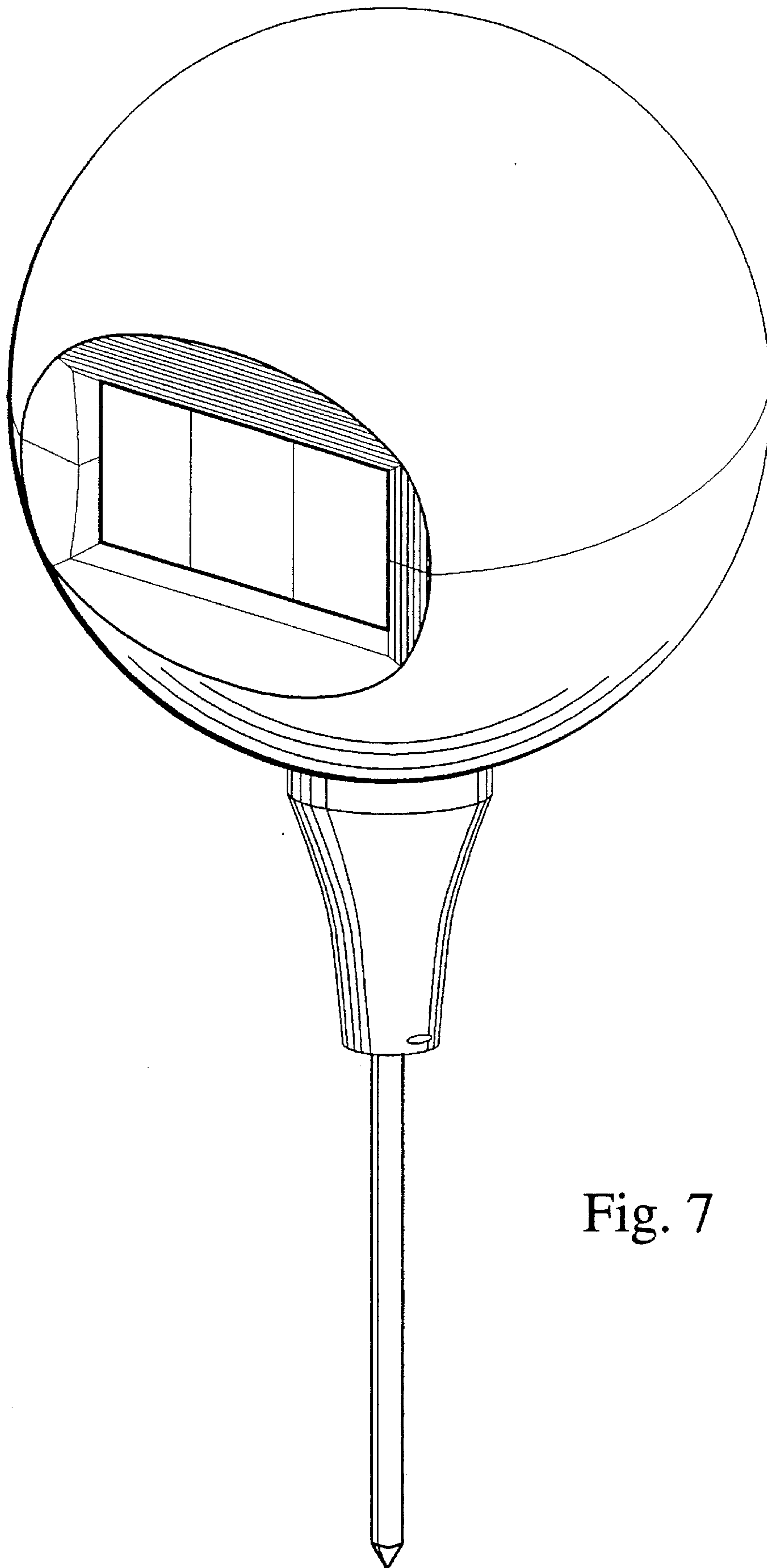


Fig. 7