



US00D376629S

# United States Patent [19]

Mounts et al.

[11] Patent Number: **Des. 376,629**

[45] Date of Patent: **\*\*Dec. 17, 1996**

[54] **BALANCING BOARD**

[76] Inventors: **Richard F. Mounts; Marion P. Mounts**, both of 19 Entrada Cir., Durango, Colo. 81301

[\*\*] Term: **14 Years**

[21] Appl. No.: **47,353**

[22] Filed: **Dec. 1, 1995**

|           |         |              |       |         |
|-----------|---------|--------------|-------|---------|
| 3,895,794 | 7/1975  | England      | ..... | 482/146 |
| 3,995,852 | 12/1976 | Mendelson    | ..... | 482/142 |
| 4,505,477 | 3/1985  | Wilkinson    | ..... | 482/146 |
| 5,152,691 | 10/1992 | Moscarello   | ..... | 482/146 |
| 5,190,506 | 3/1993  | Zubik et al. | ..... | 482/146 |

Primary Examiner—Philip S. Hyder

## [57] CLAIM

The ornamental design for a balancing board, as shown and described.

## DESCRIPTION

FIG. 1 is an exploded front elevational view of the balancing board showing our new design;  
 FIG. 2 is a rear elevational view thereof;  
 FIG. 3 is a side elevational view thereof;  
 FIG. 4 is a top plan view thereof;  
 FIG. 5 is a bottom plan view thereof;  
 FIG. 6 is a perspective view thereof in the assembled position; and,  
 FIG. 7 is a cross-sectional view thereof taken along line 6—6 of FIG. 6.

## Related U.S. Application Data

[63] Continuation-in-part of Ser. No. 28,195, Sep. 8, 1994, abandoned.

[52] U.S. Cl. .... **D21/193**

[58] Field of Search ..... D21/191, 193;  
482/68, 66, 146, 136, 51

## [56] References Cited

### U.S. PATENT DOCUMENTS

|            |         |              |       |         |
|------------|---------|--------------|-------|---------|
| D. 237,813 | 11/1975 | England      | ..... | D21/193 |
| 3,389,910  | 6/1968  | Kanzler, Jr. | ..... | 482/146 |
| 3,630,540  | 12/1971 | Smith        | ..... | 482/146 |

**1 Claim, 4 Drawing Sheets**

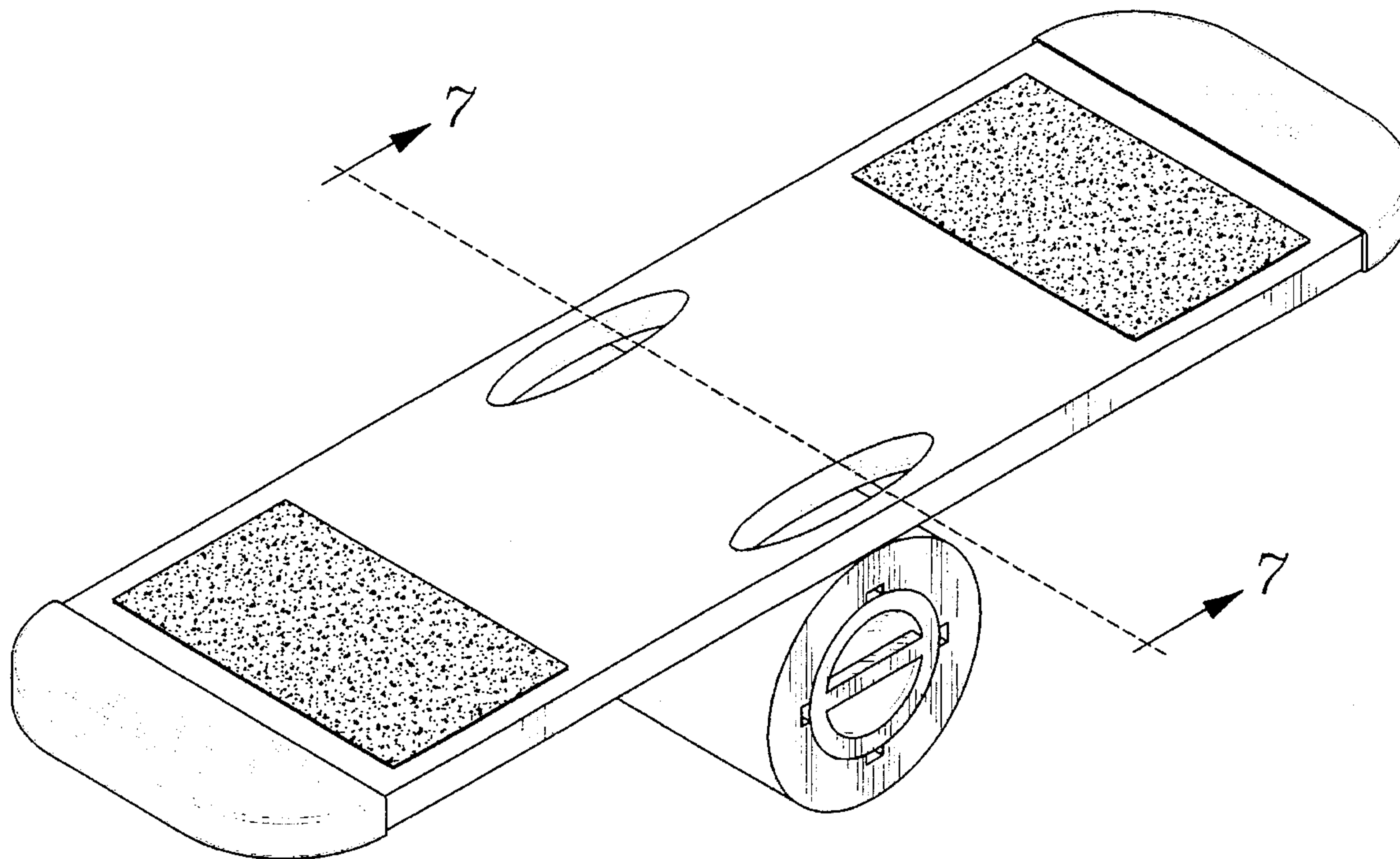


FIG. 1

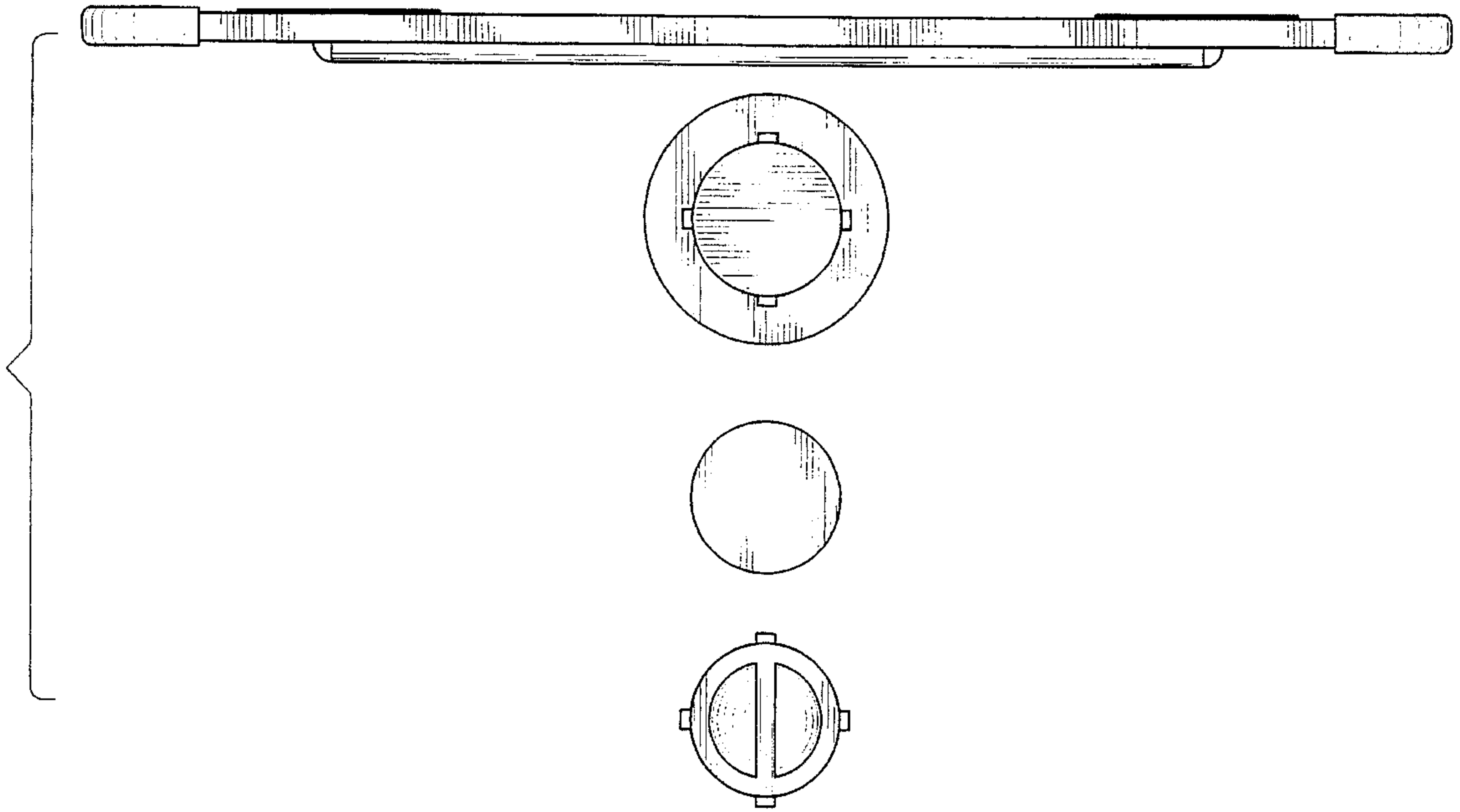


FIG. 2

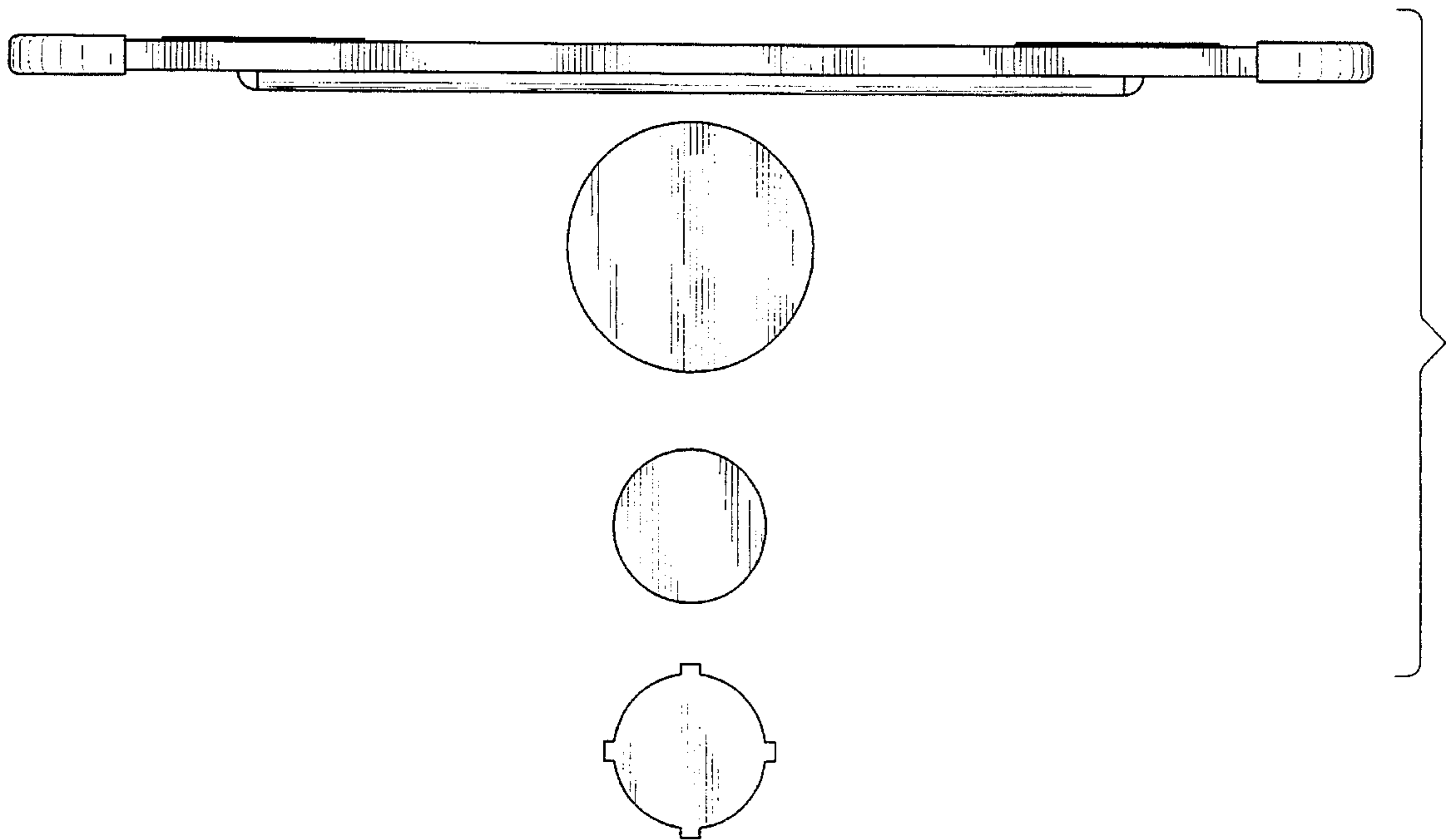


FIG. 3

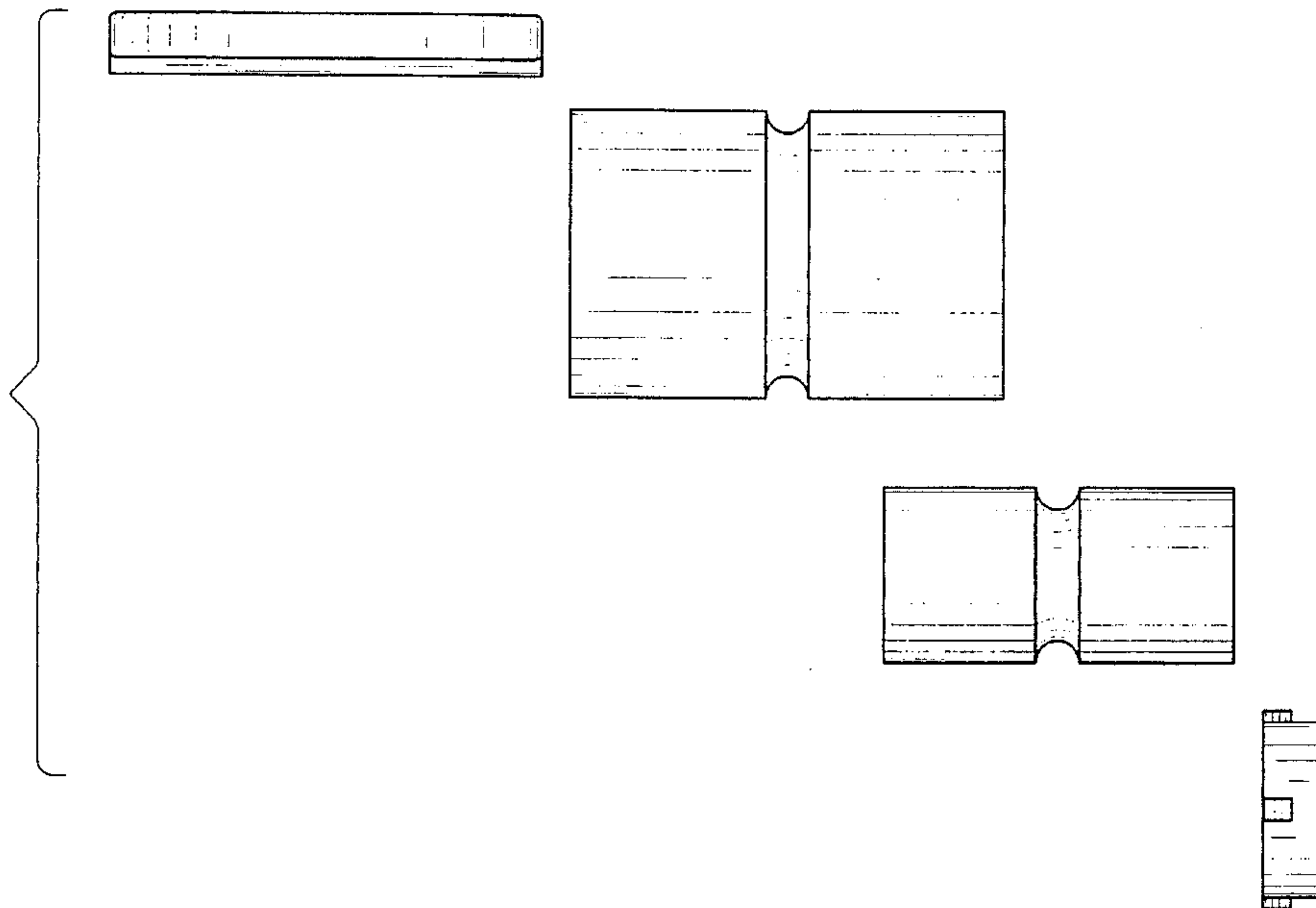


FIG. 4

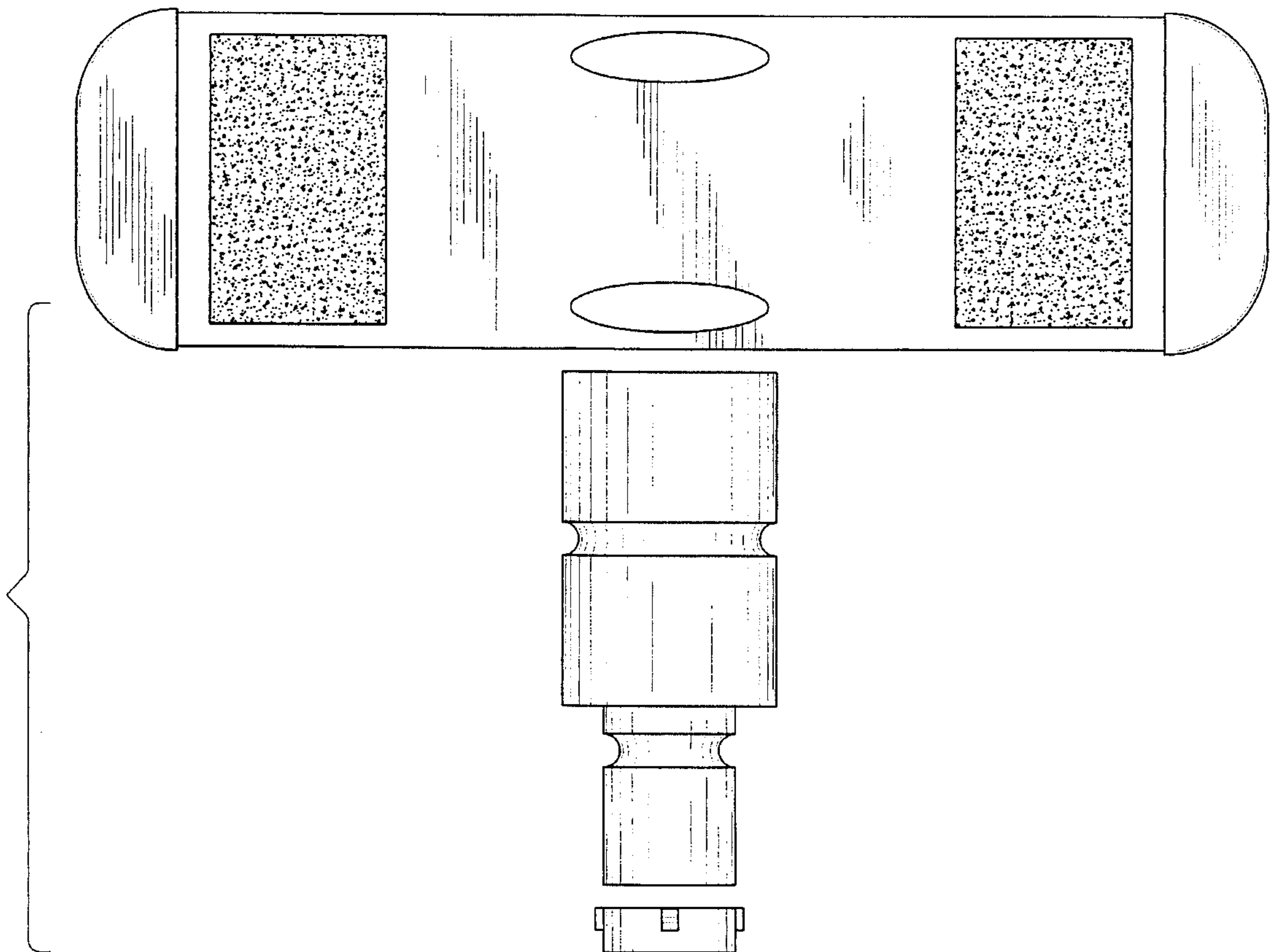
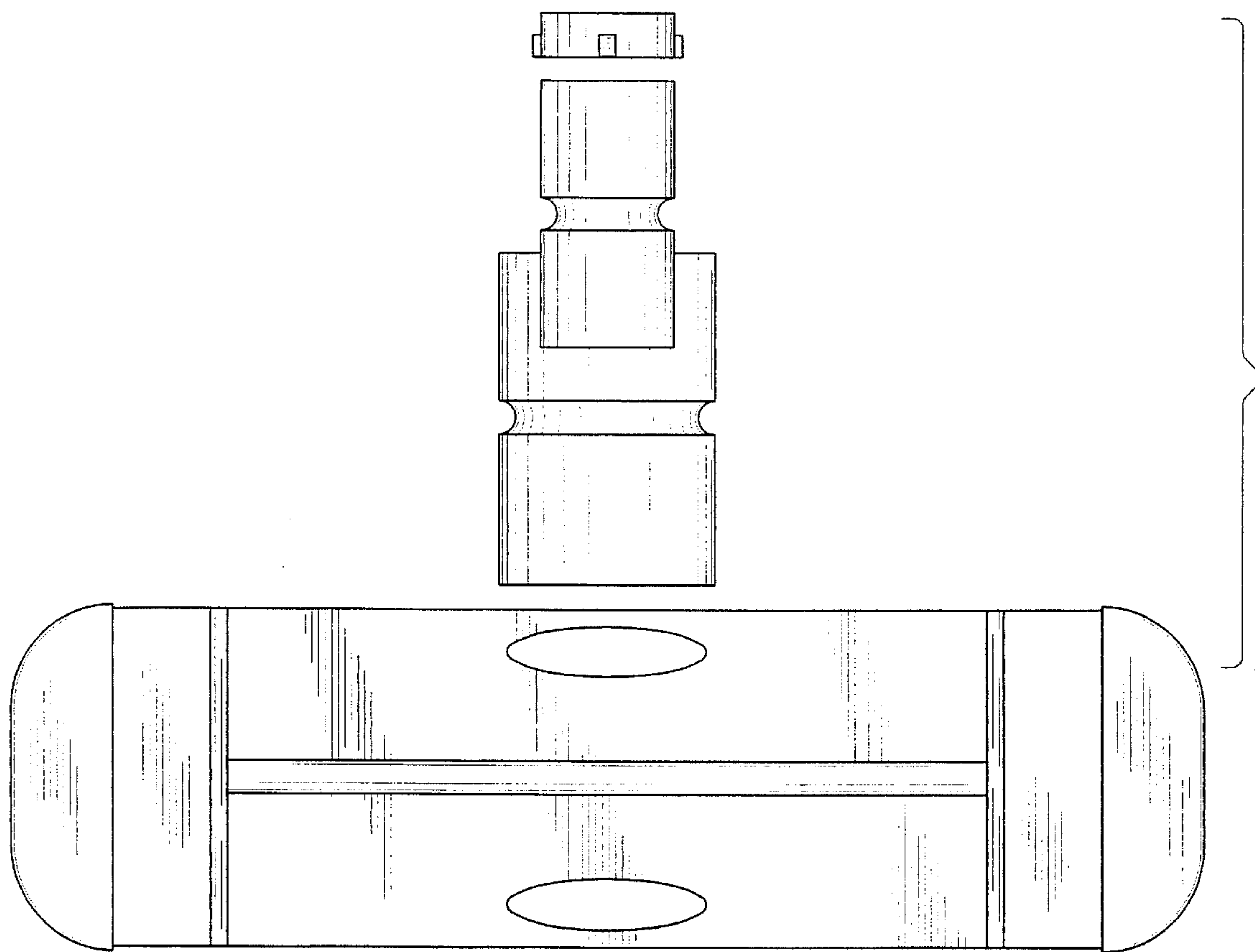


FIG. 5



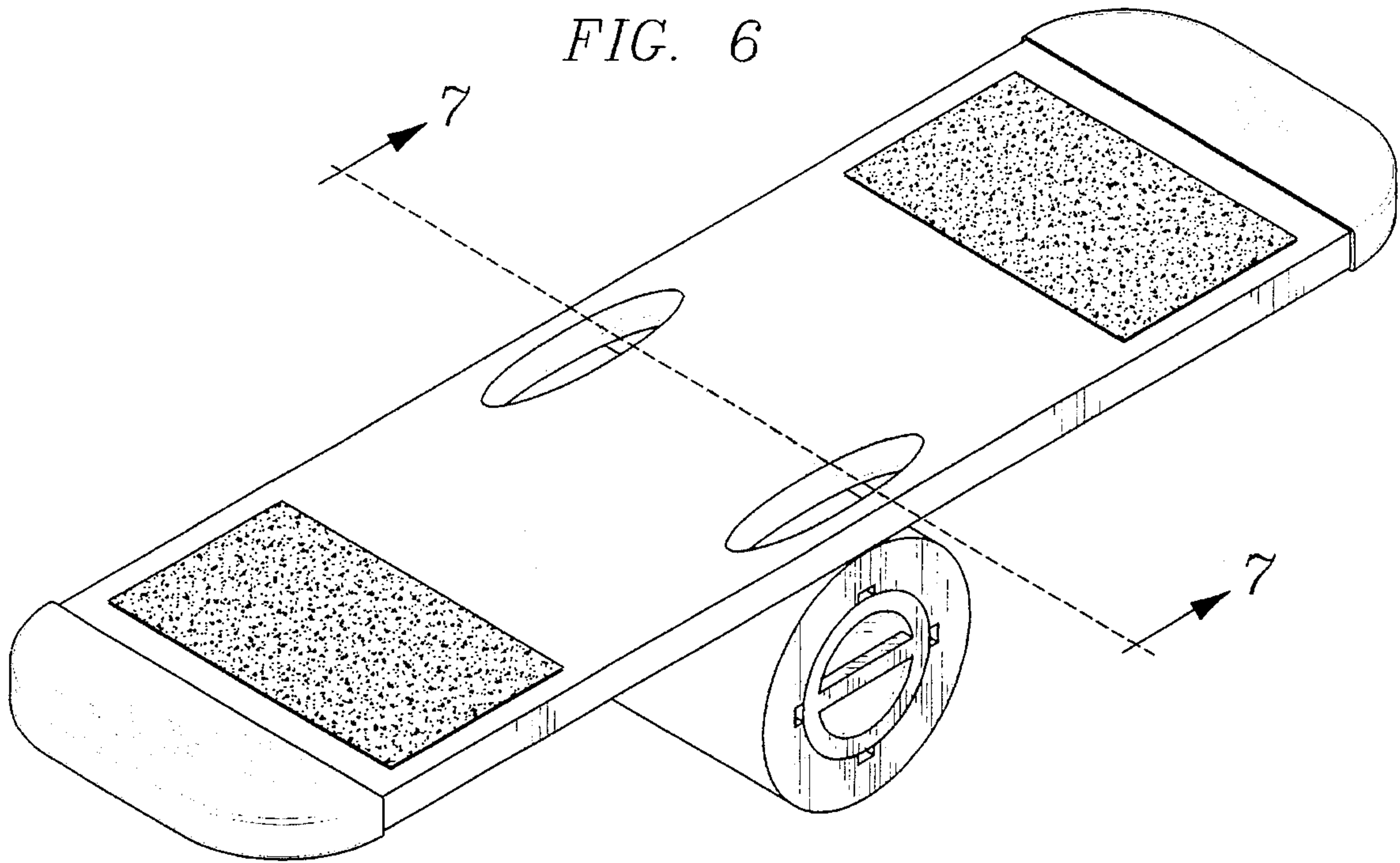


FIG. 7

