



US00D376623S

United States Patent [19]

[11] Patent Number: **Des. 376,623**

Garfinkle

[45] Date of Patent: ****Dec. 17, 1996**

[54] **PRICING SIGN SYSTEM**

4,773,172 9/1988 Fast 40/124.1 X

[76] Inventor: **Benjamin L. Garfinkle**, 1120 Portal Ave., Piedmont, Calif. 94610

Primary Examiner—Susan J. Lucas
Assistant Examiner—Jennifer Register
Attorney, Agent, or Firm—Malcolm B. Wittenberg

[**] Term: **14 Years**

[57] **CLAIM**

[21] Appl. No.: **42,063**

The ornamental design for a pricing sign system, as shown and described.

[22] Filed: **Jul. 31, 1995**

[52] U.S. Cl. **D20/43**

DESCRIPTION

[58] Field of Search 40/642, 124.1, 40/646, 649, 662; D20/40, 43, 42, 44, 10, 99, 12, 22, 27; 211/59.2

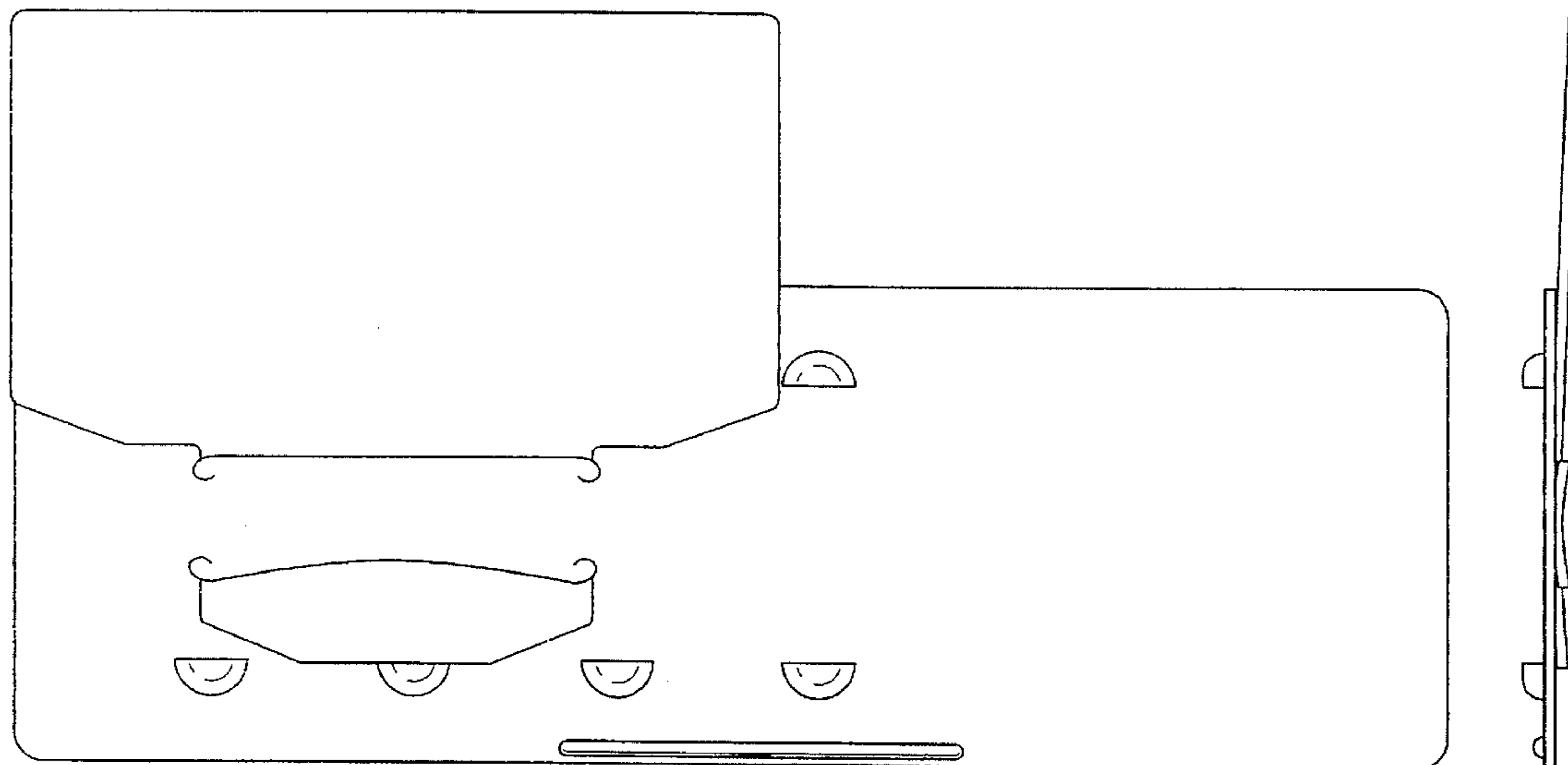
FIG. 1 shows a front view;
FIG. 2 shows a back view;
FIG. 3 shows a right side view;
FIG. 4 shows a left side view;
FIG. 5 shows a top plan view; and,
FIG. 6 shows a bottom plan view.

[56] **References Cited**

U.S. PATENT DOCUMENTS

D. 251,477	4/1979	Hedstrom et al.	D20/43
1,988,366	1/1935	Thackeray et al.	40/662
4,048,737	9/1977	McDermott	40/649

1 Claim, 2 Drawing Sheets



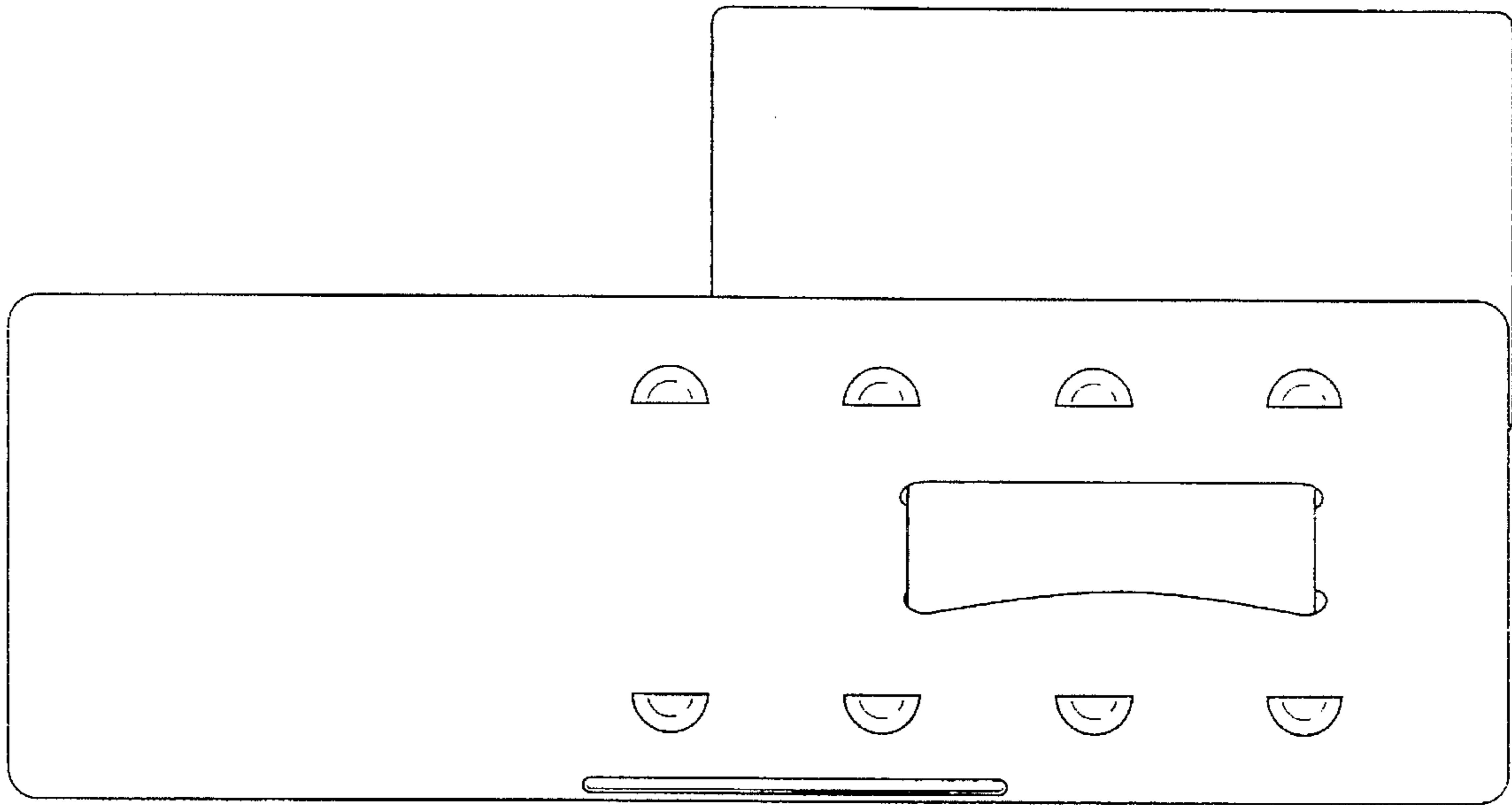


FIG. 1

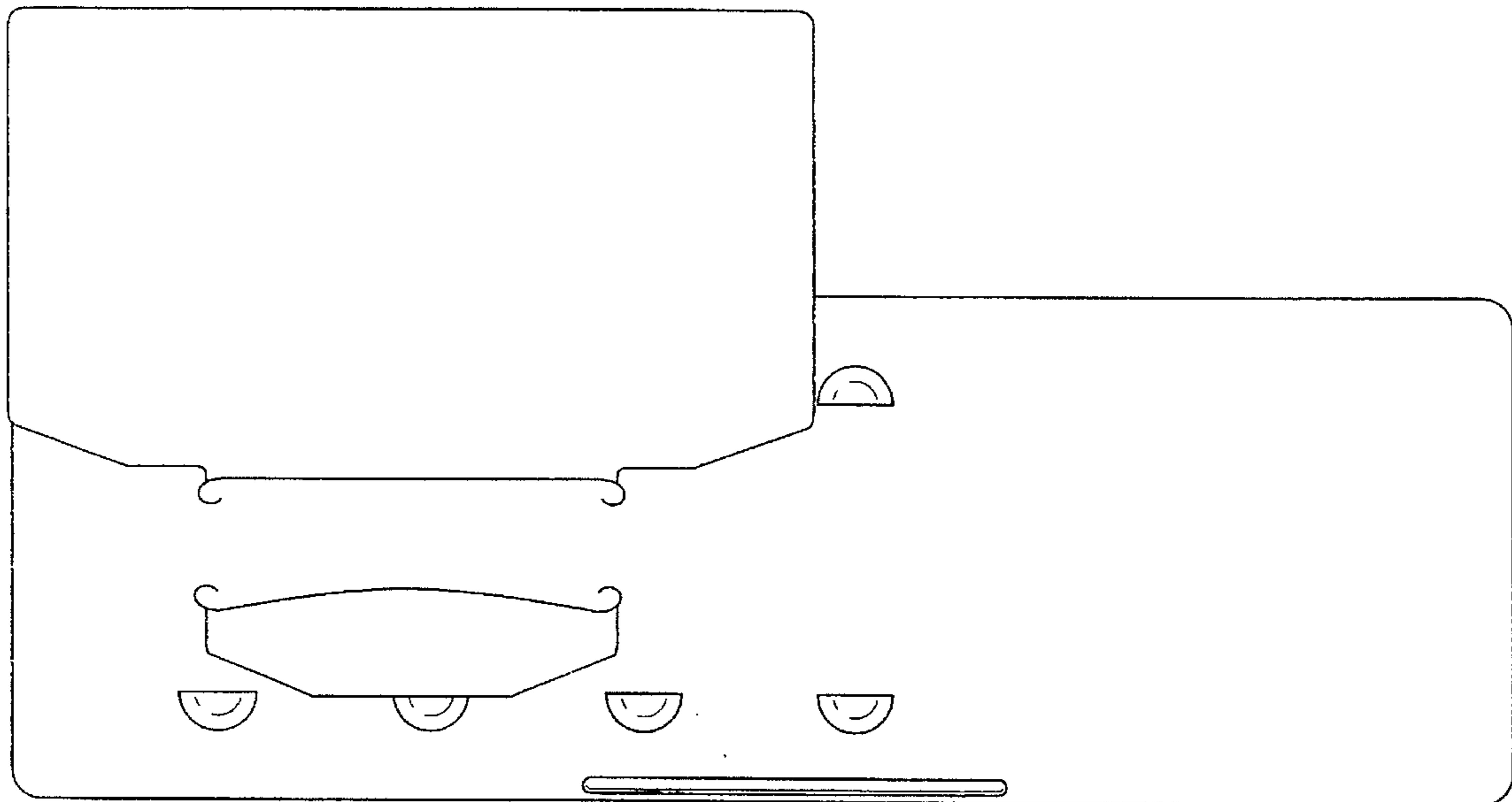


FIG. 2



FIG. 3



FIG. 4

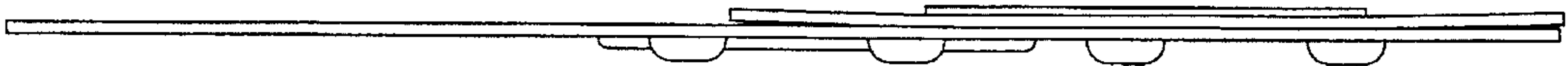


FIG. 5

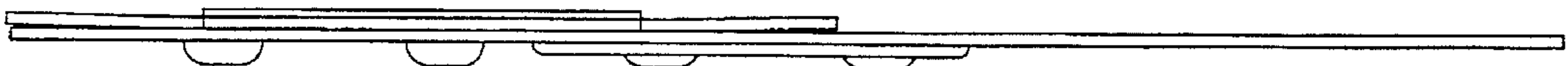


FIG. 6