



US00D376622S

**United States Patent** [19]

[11] **Patent Number: Des. 376,622**

**Roberts**

[45] **Date of Patent: \*\*Dec. 17, 1996**

[54] **DISPLAY RACK**

[75] Inventor: **Brian G. Roberts**, Toronto, Canada

[73] Assignee: **Obus Forme Ltd.**, Toronto, Canada

[\*\*] Term: **14 Years**

[21] Appl. No.: **43,379**

[22] Filed: **Aug. 28, 1995**

[52] U.S. Cl. .... **D20/41**

[58] Field of Search ..... D20/10, 12, 99;  
211/60.1, 87, 100, 101, 58; 40/584, 642,  
649, 606; 312/234; D6/332

[56] **References Cited**

**U.S. PATENT DOCUMENTS**

D. 184,026	12/1958	Piotraschke	.....	D6/332
2,761,568	9/1956	Temple	.....	40/642 X
2,818,666	1/1958	Wilson	.....	40/584
3,556,308	1/1971	McAleenan	.....	40/649 X
5,255,803	10/1993	Pavone et al.	.....	40/606 X
5,294,005	3/1994	Hedges	.....	211/60.1 X

**OTHER PUBLICATIONS**

Arbitare—Structure Modulare Robots, p. 144, Mar. 1981.

*Primary Examiner*—Susan J. Lucas

*Assistant Examiner*—Jennifer Register

*Attorney, Agent, or Firm*—Kenneth M. Garrett

[57] **CLAIM**

The ornamental design for display rack, as shown and described.

**DESCRIPTION**

FIG. 1 is a front right perspective view of a display rack showing my new design;

FIG. 2 is a front elevation thereof;

FIG. 3 is a right side elevation, the left side elevation being the mirror image thereof;

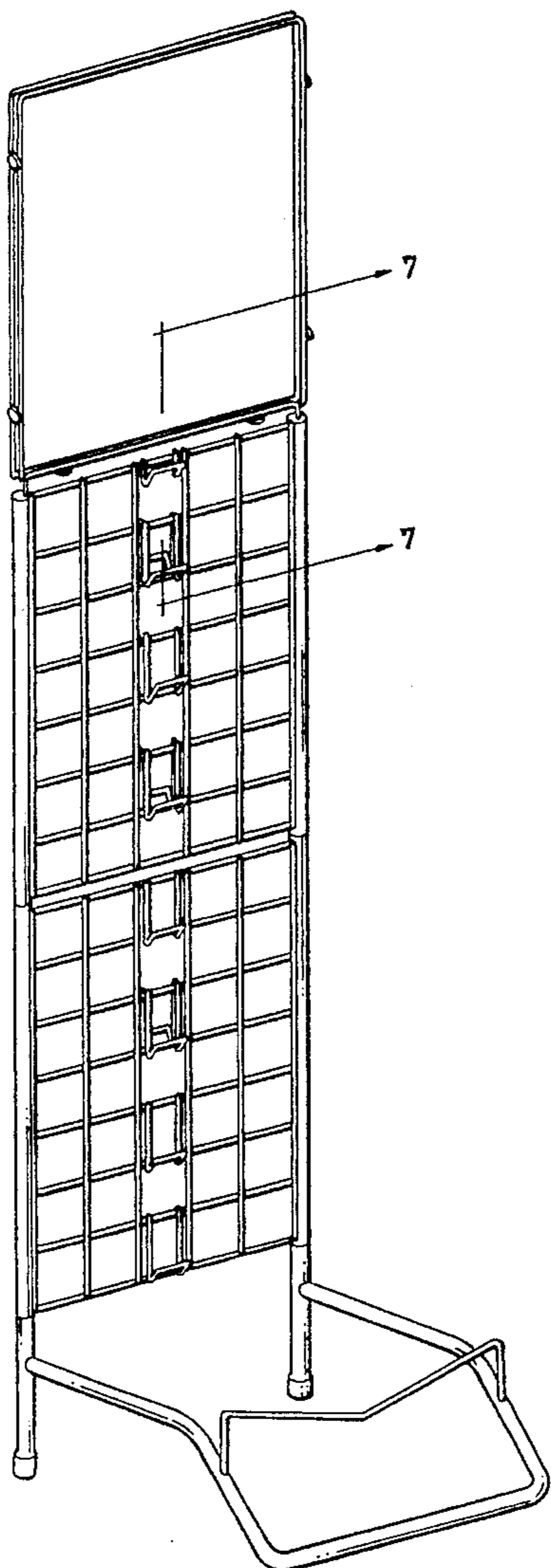
FIG. 4 is a top plan thereof;

FIG. 5 is a bottom plan thereof;

FIG. 6 is a rear elevation thereof; and,

FIG. 7 is an elevational view on line 7—7 of FIG. 1 in the direction of the arrows, on enlarged scale.

**1 Claim, 5 Drawing Sheets**



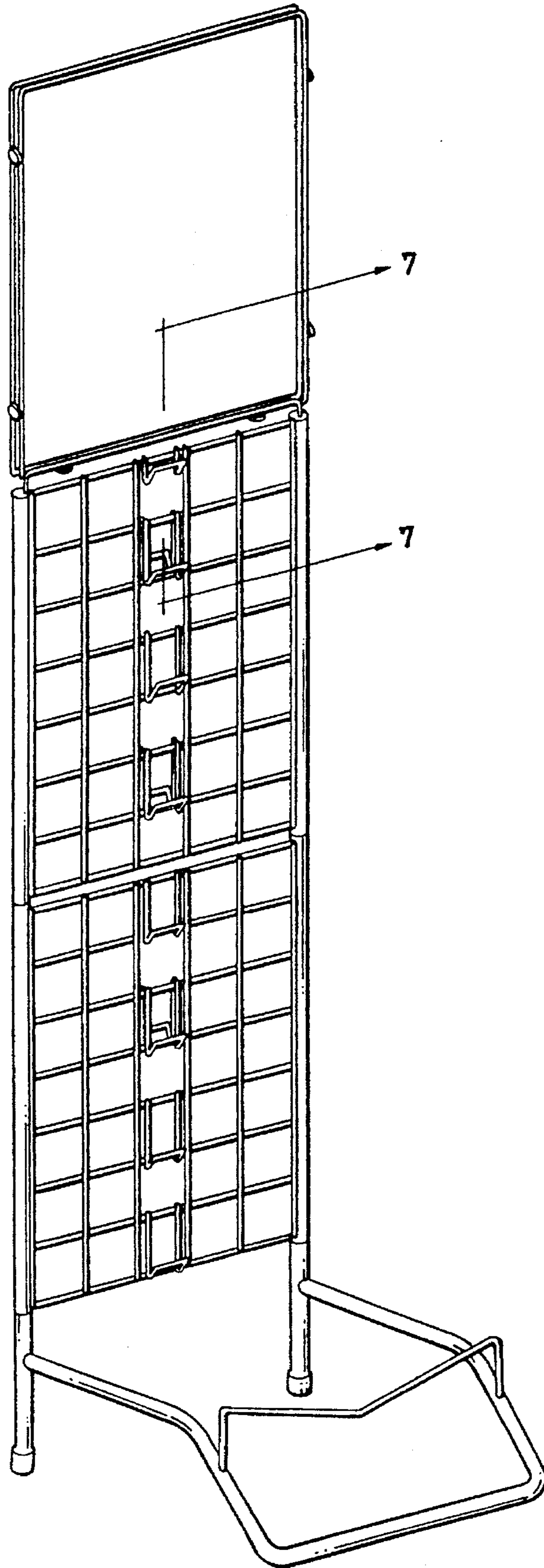


FIG. 1

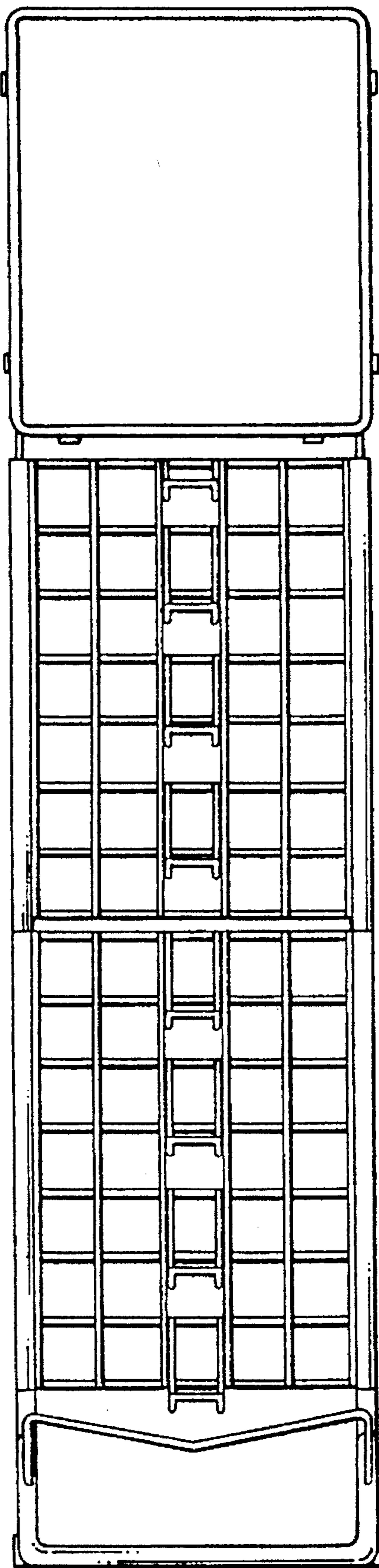


FIG. 2

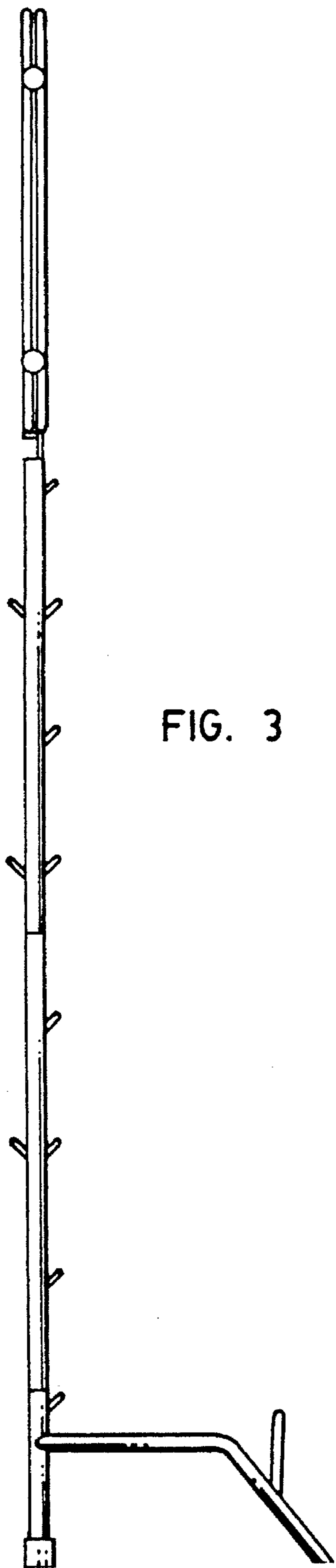


FIG. 3

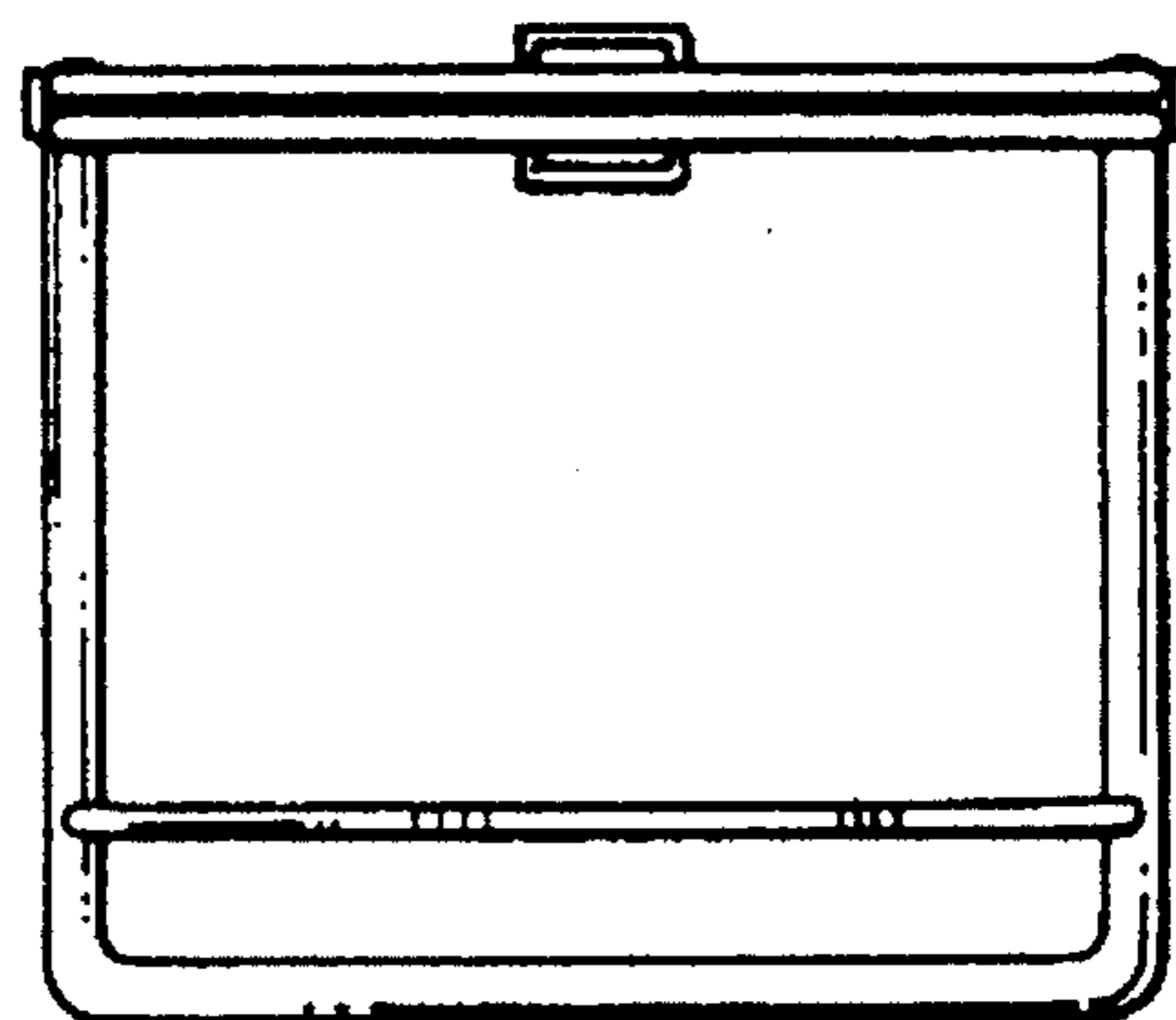


FIG. 4

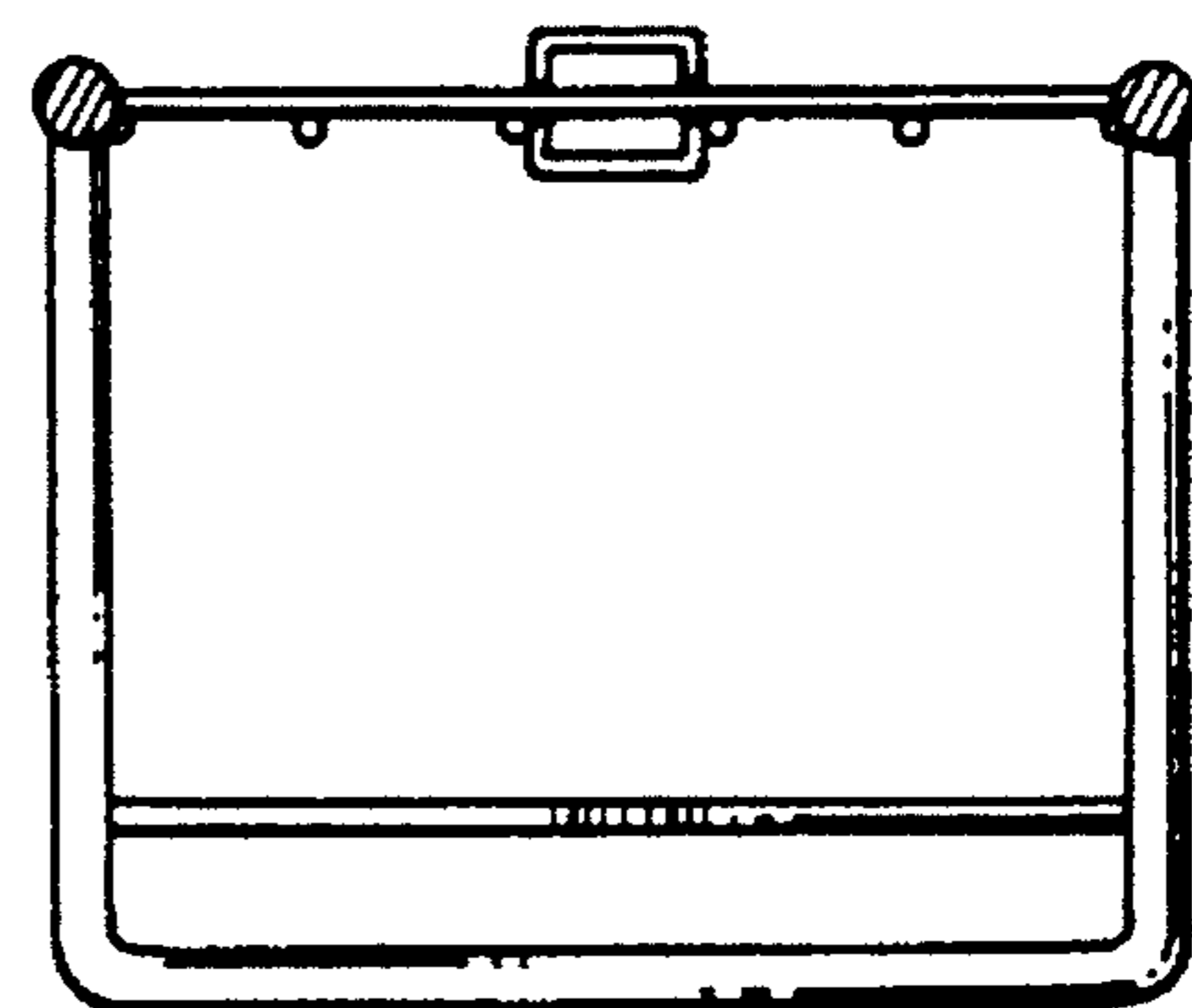


FIG. 5

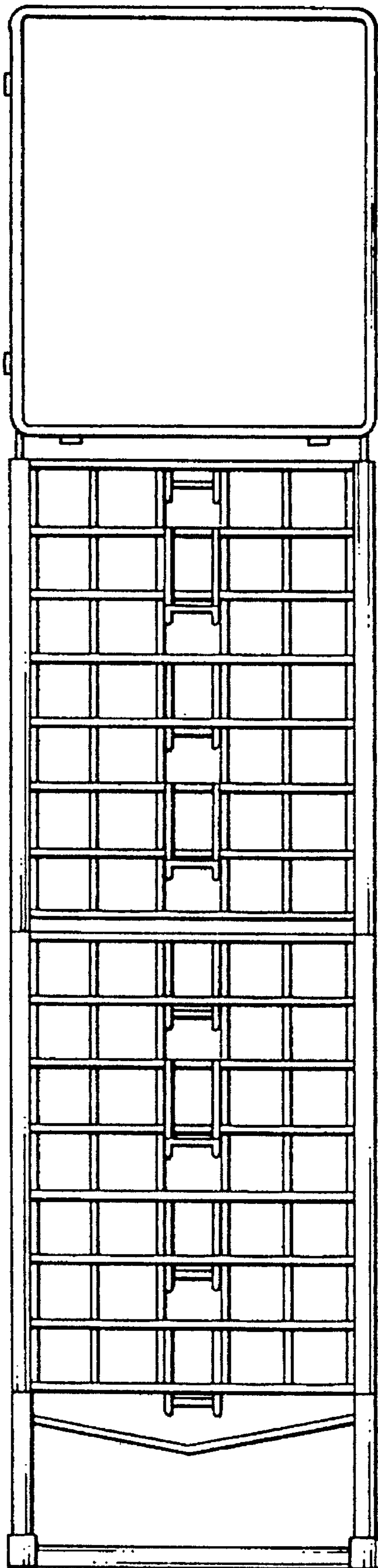


FIG. 6

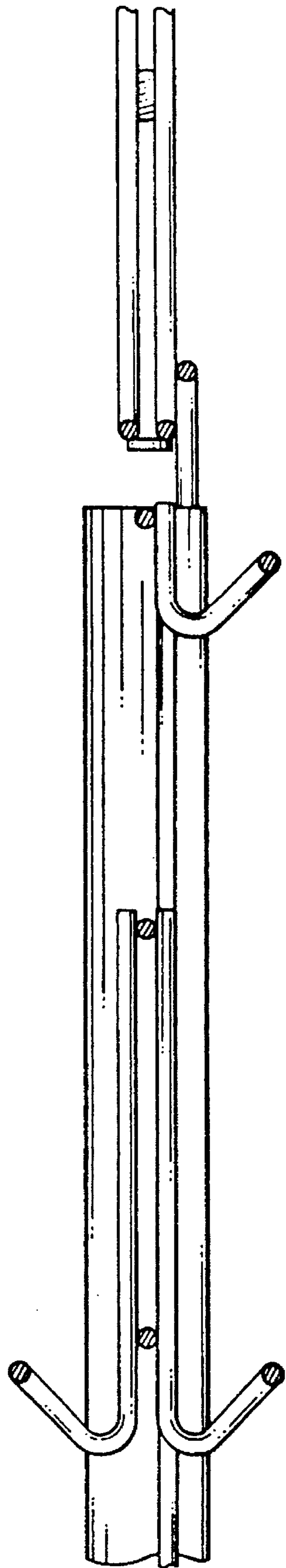


FIG. 7