



US00D376618S

United States Patent [19]

[11] Patent Number: **Des. 376,618**

Hix

[45] Date of Patent: ****Dec. 17, 1996**

[54] **HAND REST**

[76] Inventor: **Tommy N. Hix**, 1227 Ritner Hwy.,
Carlisle, Pa. 17013

[**] Term: **14 Years**

[21] Appl. No.: **31,142**

[22] Filed: **Nov. 18, 1994**

[52] U.S. Cl. **D19/35; D19/37**

[58] Field of Search D19/35, 36, 37,
D19/65, 99, 100; 33/80; 248/118.5, 118,
118.1, 118.3, 231.7, 441.1, 449; D10/64,
71

[56] **References Cited**

U.S. PATENT DOCUMENTS

D. 202,654	10/1965	Carls	D19/37	X
D. 243,013	1/1977	Jones et al.	D19/37	
D. 246,441	11/1977	Bergendorff	D19/37	X
D. 253,601	12/1979	Weber et al.	D19/37	
D. 292,296	10/1987	Wood	D19/35	

D. 317,573	6/1991	Step	D10/64
3,715,097	2/1973	Kalajian	.	
3,815,856	6/1974	Cortimilia	.	
4,088,290	5/1978	Novello	.	
4,685,644	8/1987	Yates	.	
5,172,883	12/1992	Amirian	.	

Primary Examiner—Martie Thompson

[57] **CLAIM**

The ornamental design for the hand rest, as shown and described.

DESCRIPTION

FIG. 1 is a front elevational view of the hand rest, showing my new design;

FIG. 2 is a rear elevational view thereof;

FIG. 3 is a left side elevational view thereof;

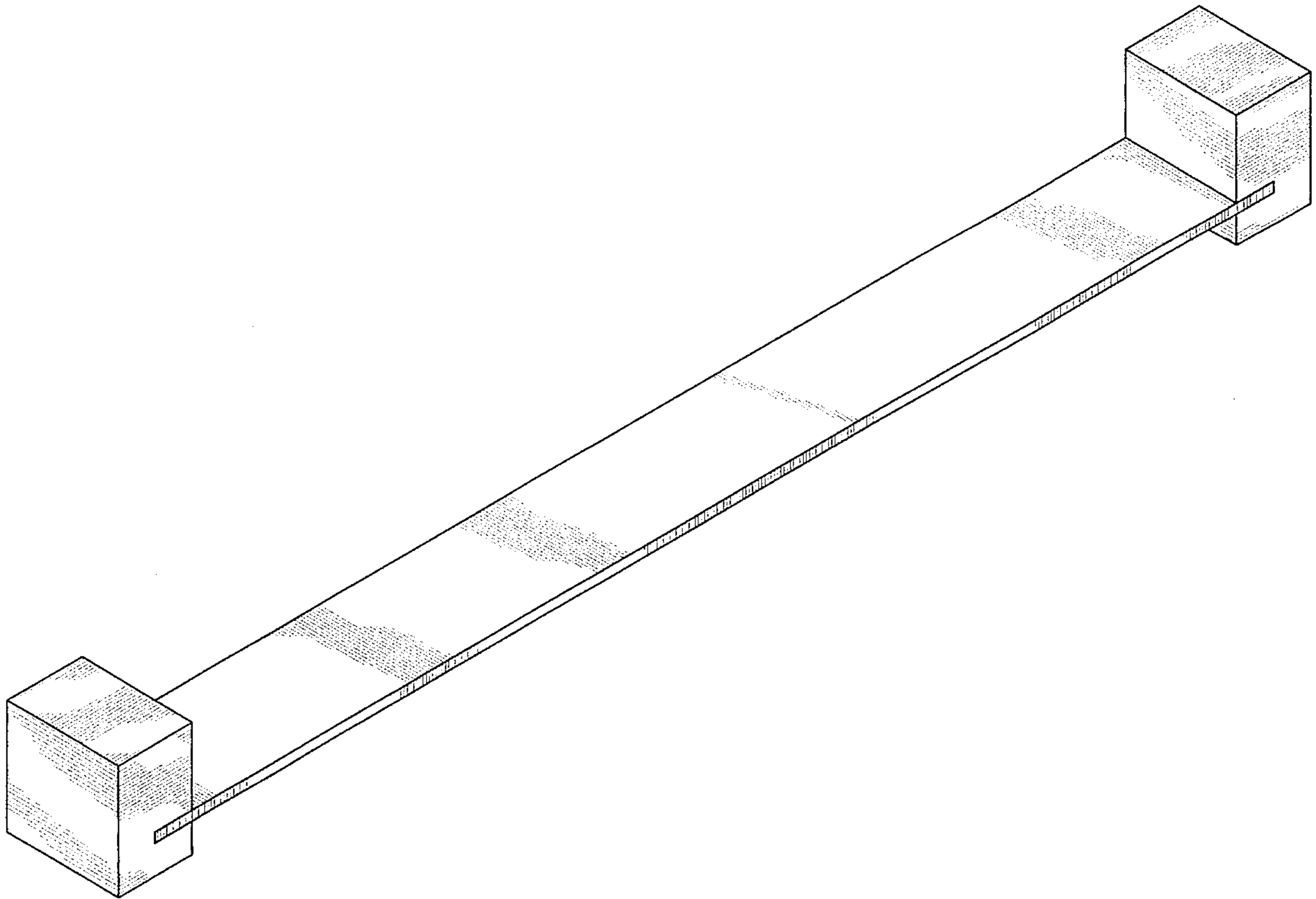
FIG. 4 is a right side elevational view thereof;

FIG. 5 is a top plan view thereof;

FIG. 6 is a bottom plan view thereof; and,

FIG. 7 is a perspective view thereof.

1 Claim, 4 Drawing Sheets



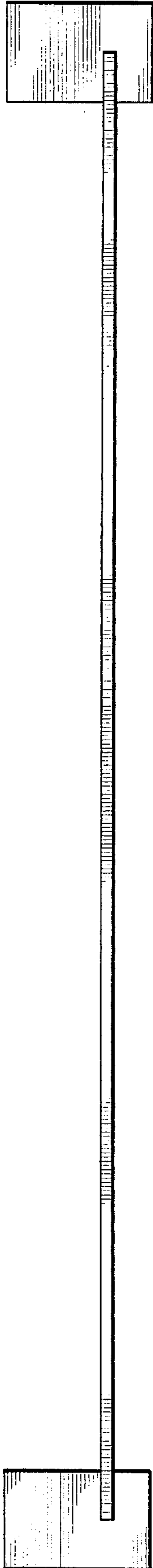


FIG. 1

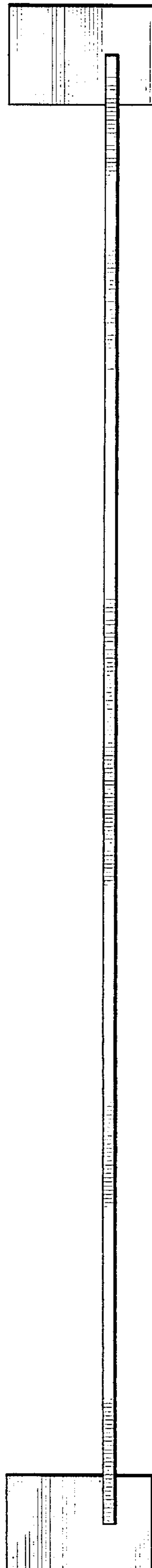


FIG. 2

FIG. 3

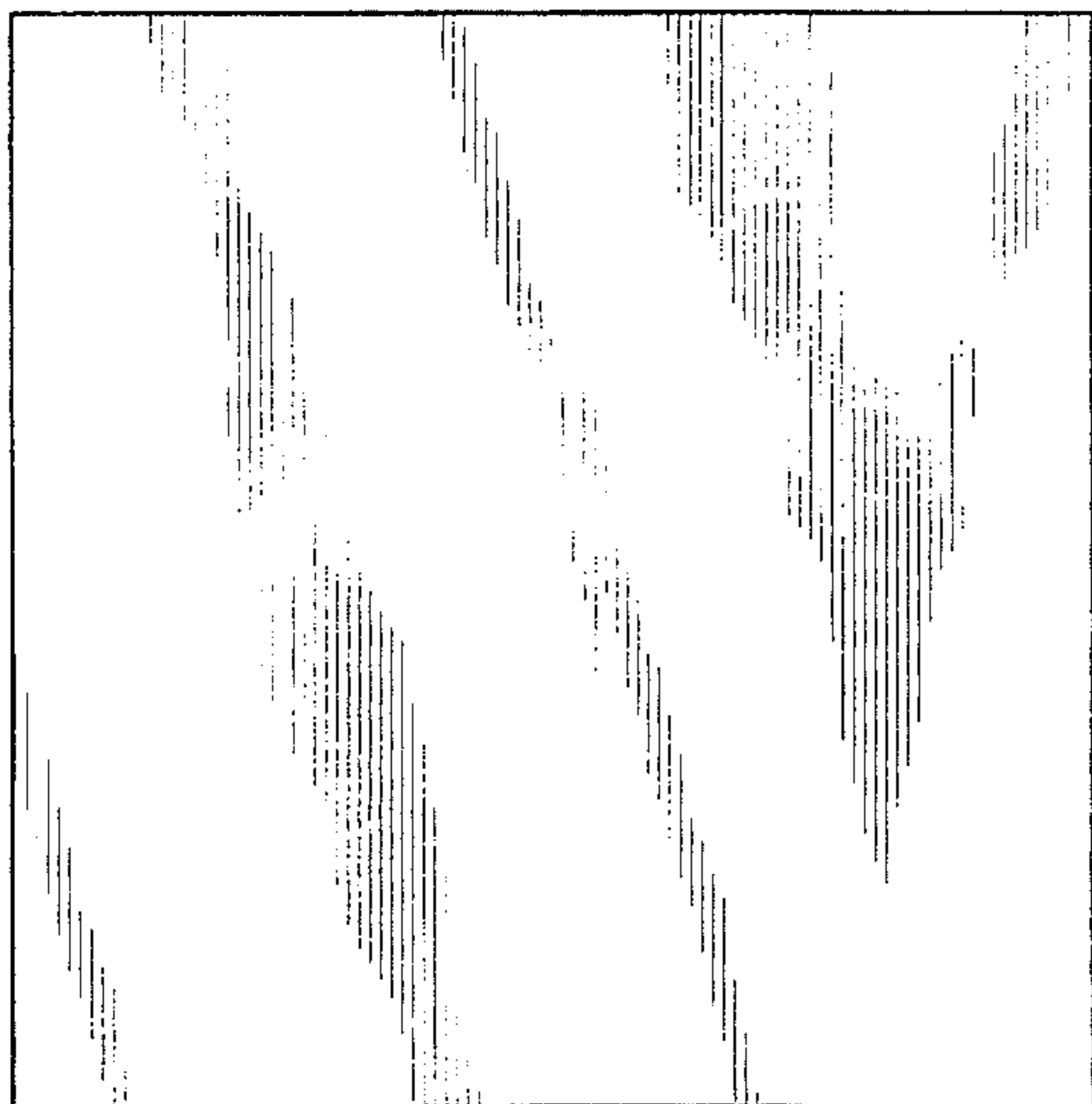


FIG. 4

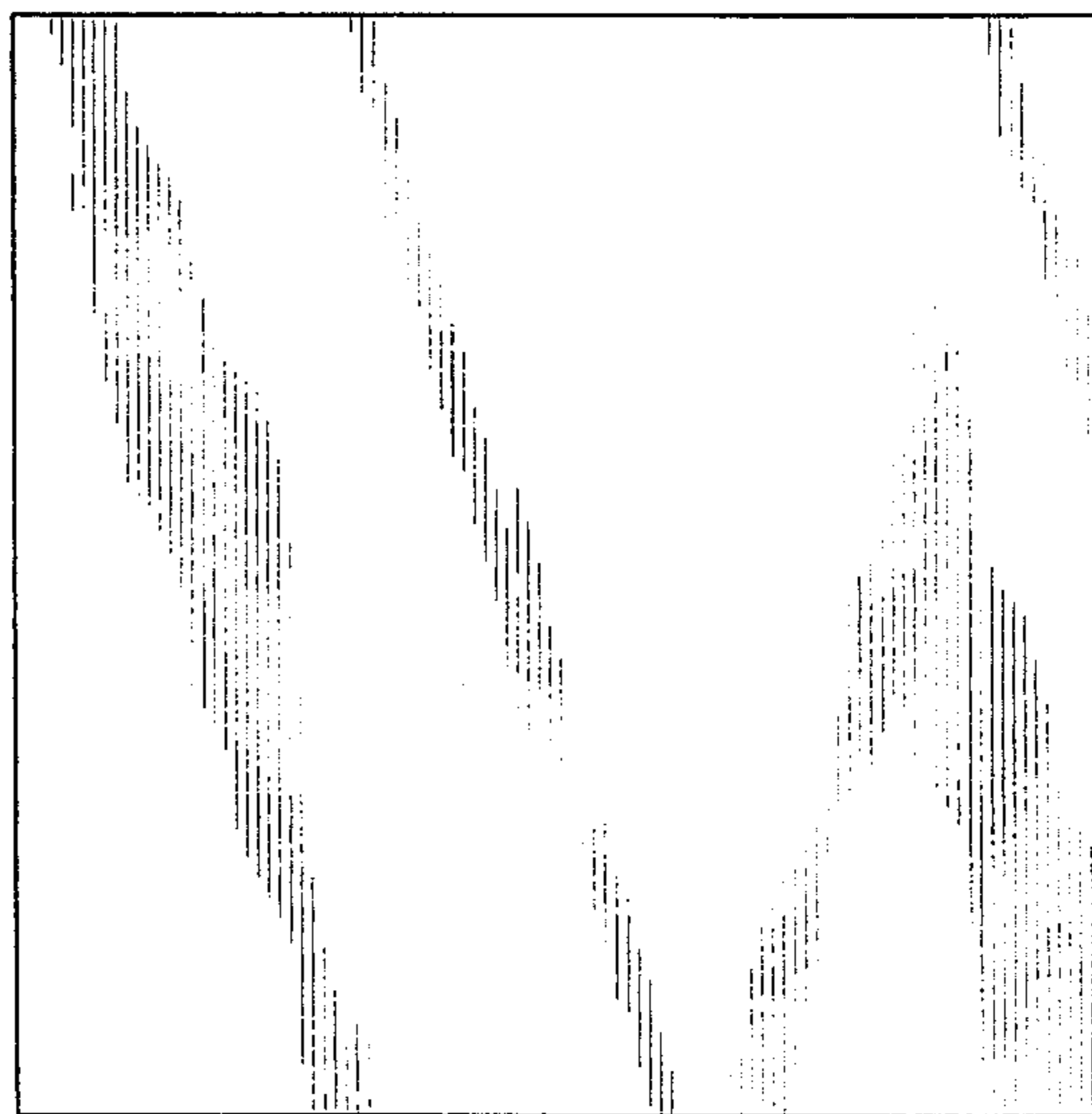


FIG. 5

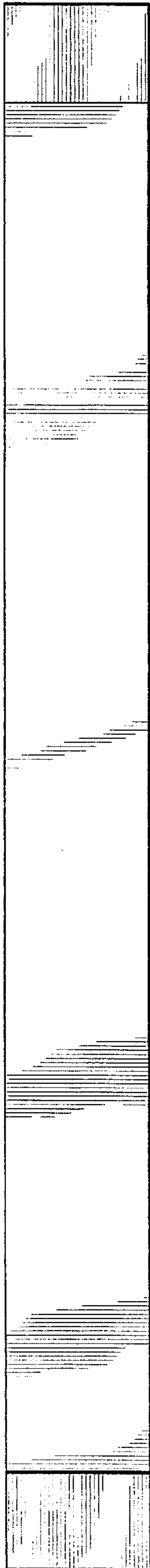
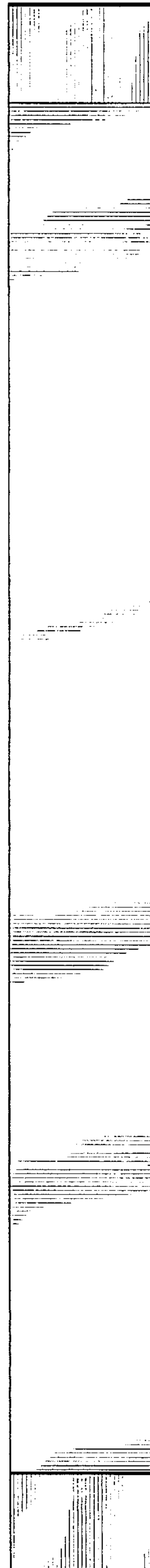


FIG. 6



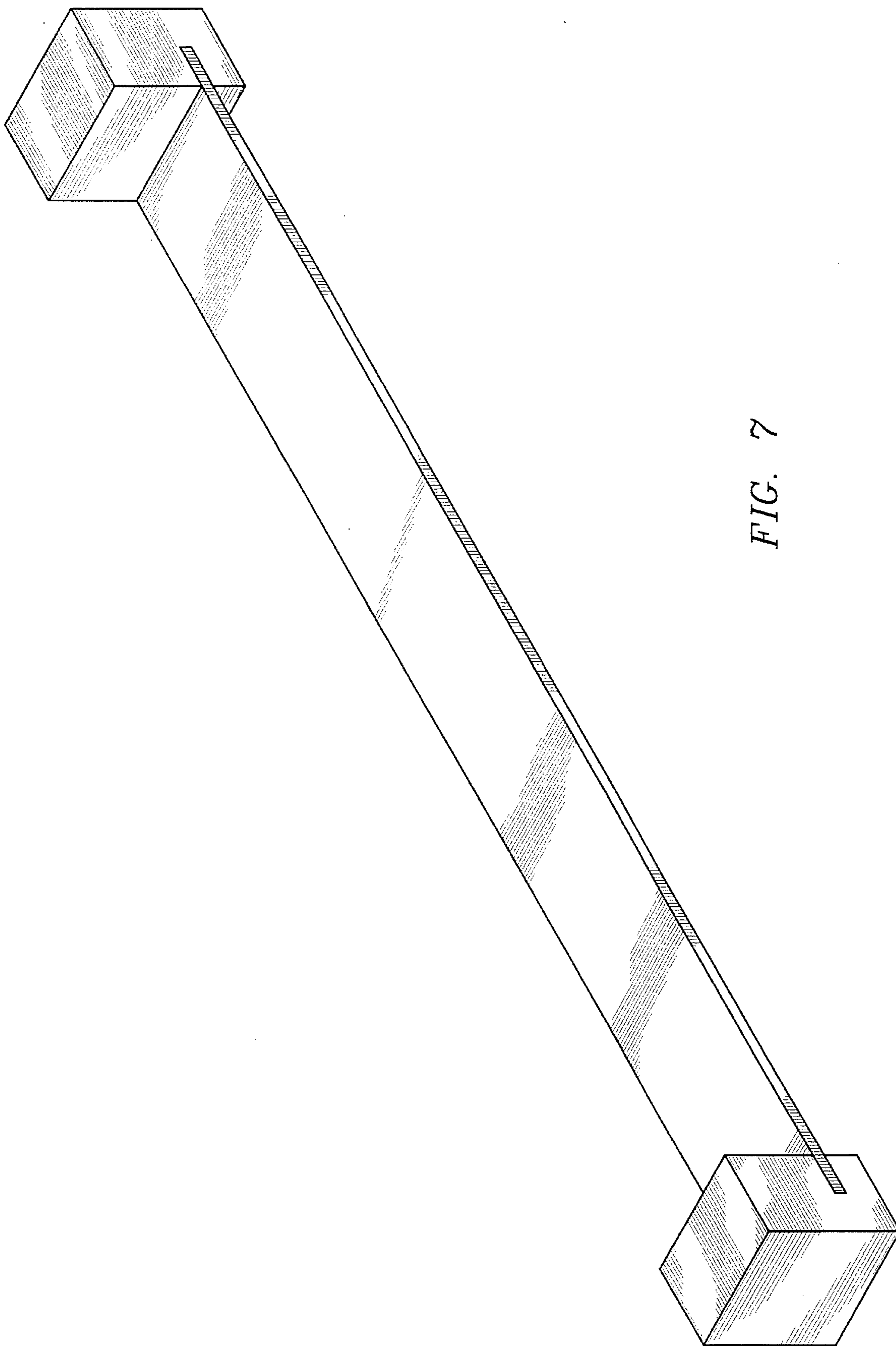


FIG. 7