



US00D376616S

United States Patent [19]

[11] Patent Number: **Des. 376,616**

Mock

[45] Date of Patent: ****Dec. 17, 1996**

[54] **CHILDREN'S INTERACTIVE SCROLLING CALENDAR**

Primary Examiner—Susan J. Lucas
Assistant Examiner—Pamela Burgess
Attorney, Agent, or Firm—Thomas N. Neiman

[76] Inventor: **Susan E. Mock**, R.R. #3, Box 1135, Middlebury, Vt. 05753

[57] **CLAIM**

[**] Term: **14 Years**

The ornamental design for a children's interactive scrolling calendar, as shown and described.

[21] Appl. No.: **34,710**

DESCRIPTION

[22] Filed: **Feb. 10, 1995**

[52] U.S. Cl. **D19/20**; D19/32; D19/64

[58] Field of Search D19/20, 21, 24, D19/25, 32, 64; 434/304; 40/107, 108, 109, 116, 117, 111; 402/80 P, 62, 63, 61, 73, 500; 129/23

FIG. 1 is a right side elevational view of a children's interactive scrolling calendar showing my new design; FIG. 2 is an end elevational view thereof, the undisclosed end being a mirror image; FIG. 3 is a top plan view thereof, the broken lines shown are for illustrative purposes only and form no part of the claimed design;

[56] **References Cited**

U.S. PATENT DOCUMENTS

D. 190,261	5/1961	Jones	D19/20
2,401,162	5/1946	Kaufman	40/109 X
2,465,238	3/1949	Laux et al.	40/117 X
4,825,571	5/1989	Jennings	40/116

FIG. 4 is a bottom plan view thereof; FIG. 5 is a top perspective view thereof; FIG. 6 is a bottom perspective view thereof; and, FIG. 7 is a left side elevational view thereof. The broken lines represent a roll of paper being used by the children to create the interactive calendar thereon.

FOREIGN PATENT DOCUMENTS

184453	of 1963	Sweden	402/61
--------	---------	--------------	--------

1 Claim, 3 Drawing Sheets

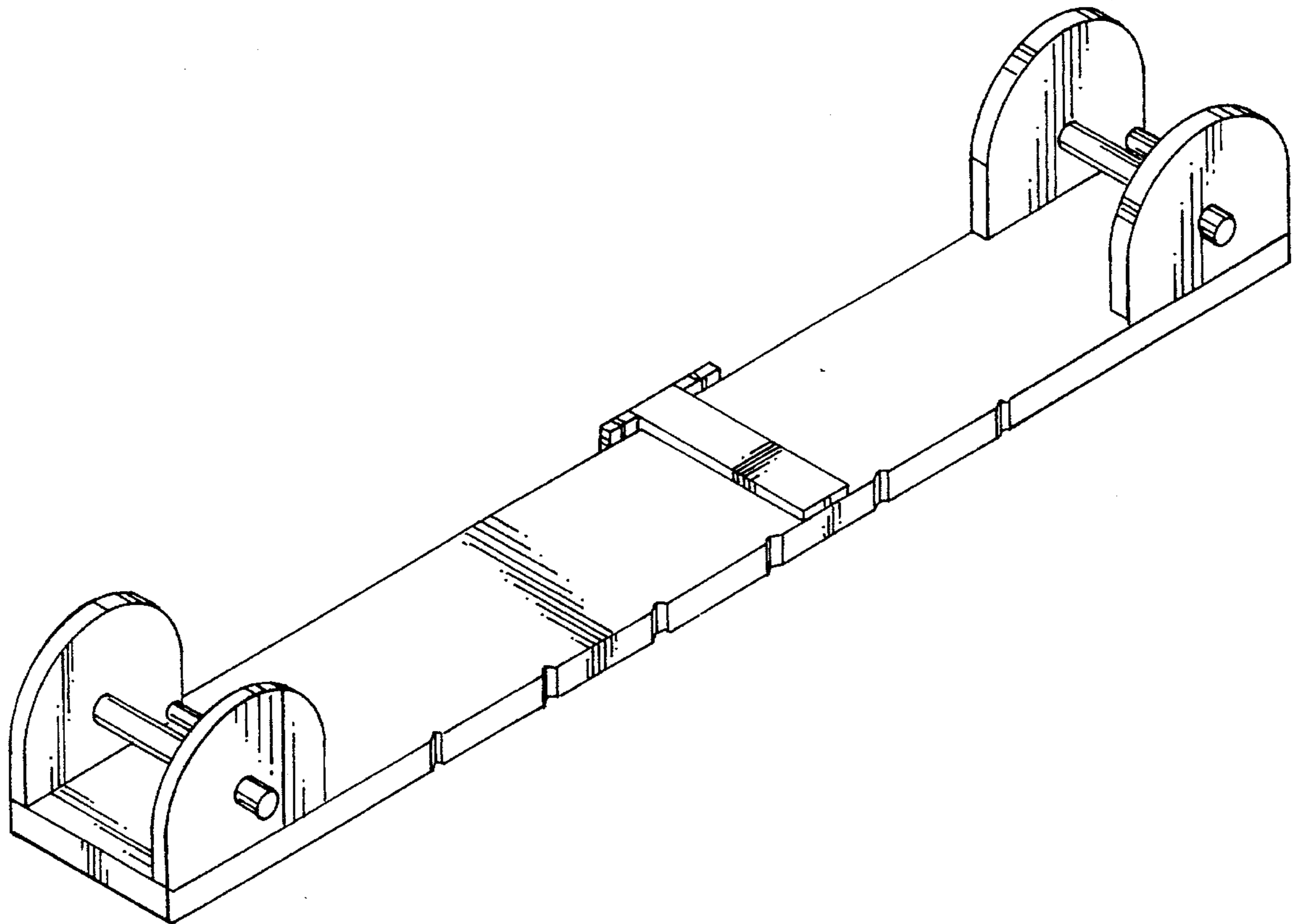


FIG.2

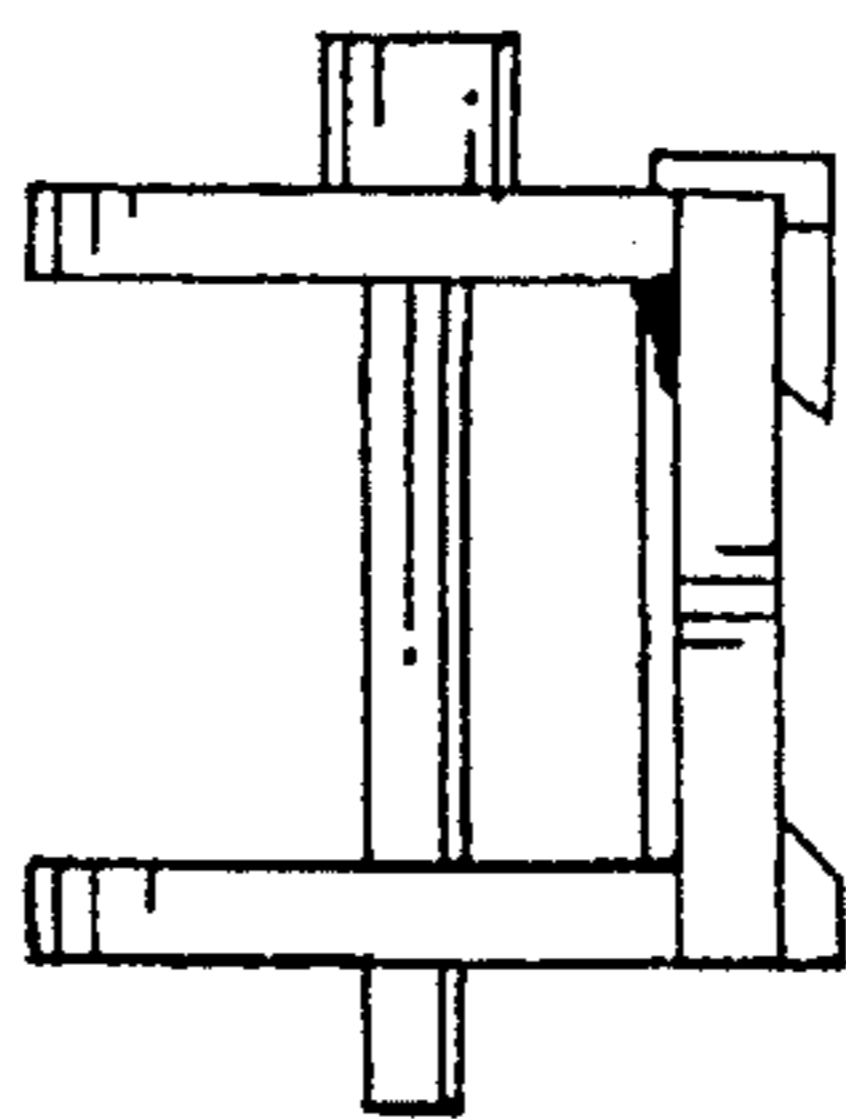


FIG.1

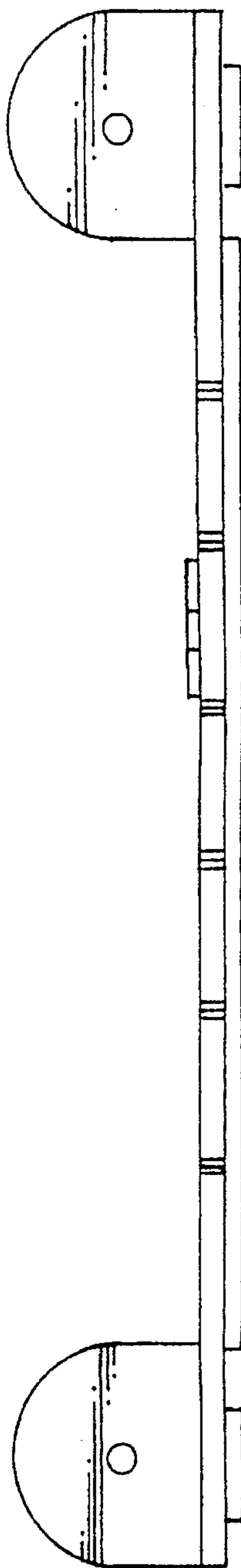


FIG.4

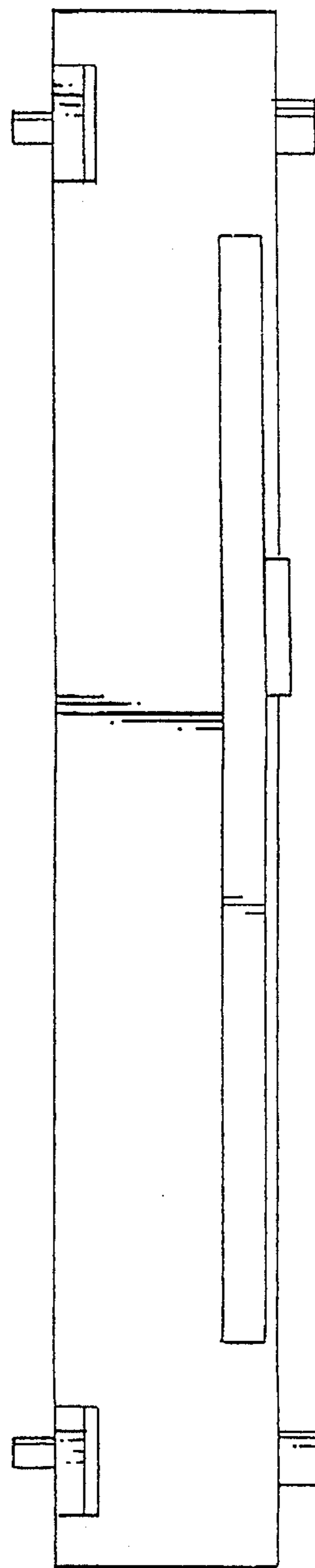
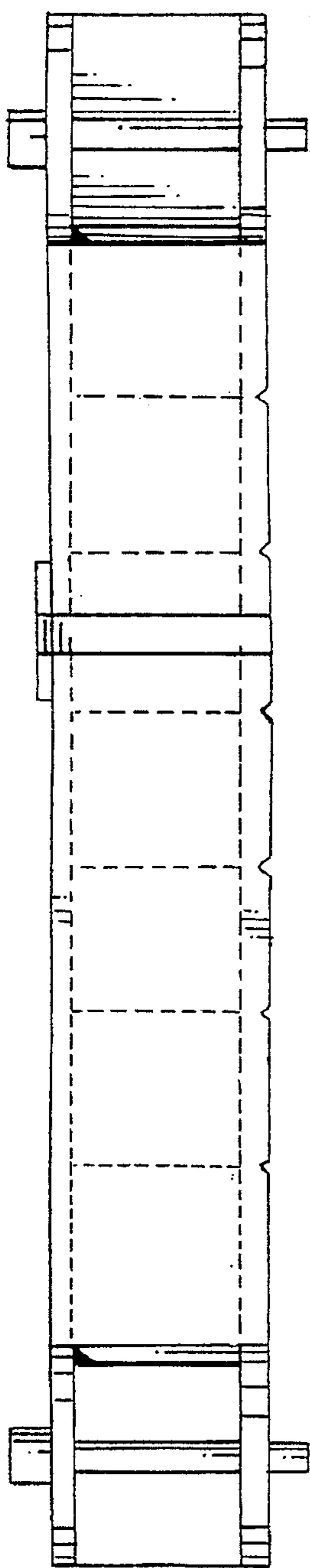


FIG.3



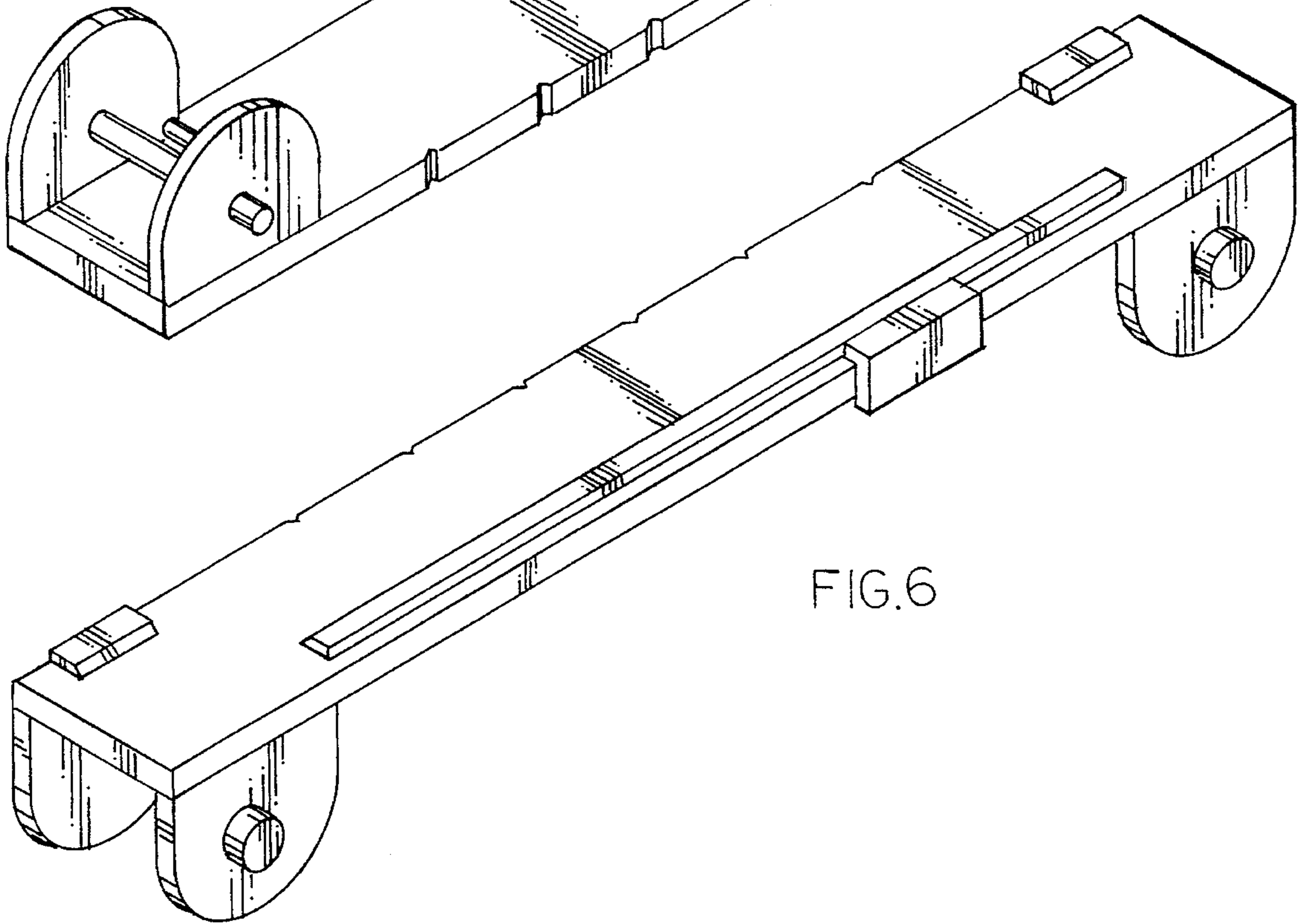
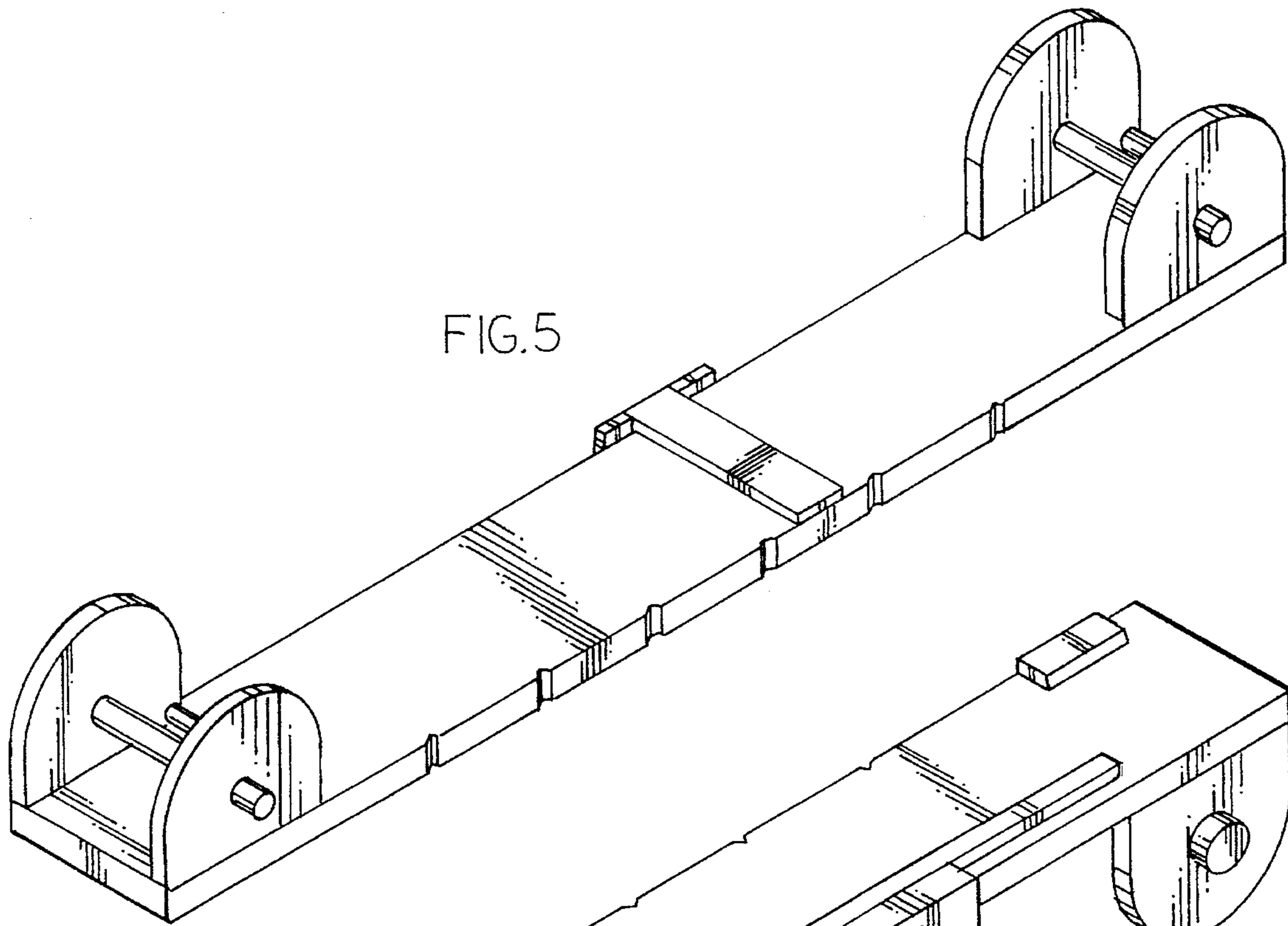


FIG. 7

