



US00D376615S

United States Patent [19]

Dubson

[11] Patent Number: **Des. 376,615**

[45] Date of Patent: ****Dec. 17, 1996**

[54] **PRINTER**

[75] Inventor: **Paul T. Dubson**, Escondido, Calif.

[73] Assignee: **Hewlett-Packard Company**, Palo Alto, Calif.

[**] Term: **14 Years**

[21] Appl. No.: **35,664**

[22] Filed: **Mar. 3, 1995**

[52] U.S. Cl. **D18/50; D18/55**

[58] Field of Search D18/50, 54, 55,
D18/46-49; 400/691-694, 613, 613.1-613.4,
690.1-690.4; 271/2, 9.09, 9.11, 9.13, 162,
164, 145

[56] References Cited

U.S. PATENT DOCUMENTS

D. 232,195	7/1974	Conway et al.	D18/55
D. 317,173	5/1991	Kojima et al.	D18/49
D. 322,451	12/1991	McClelland et al.	D18/55
D. 335,894	5/1993	Nishikaze et al.	D18/55
D. 343,637	1/1994	Unino et al.	D18/55
D. 348,899	7/1994	Masujima et al.	D18/55
D. 356,596	3/1995	Dubson et al.	D18/55
D. 358,603	5/1995	Dodge et al.	D18/55
4,744,681	5/1988	Sheldon	D18/55
4,958,823	9/1990	Iwaki et al.	271/164

5,454,553 10/1995 Firl et al. 271/145

FOREIGN PATENT DOCUMENTS

165242 7/1988 Japan 271/164
35567 2/1989 Japan D18/49

OTHER PUBLICATIONS

Tektronix brochure; Phaser™ IIsd Color Printer.
Epson LP-1500S Laser Printer brochure; Dec. 3, 1993.
Mitsubishi brochure for S 340-10 Thermal-Line Colour
Printer; Nov. 1989.
Compaq brochure; Compaq Pagemarq. 20 Laser Printer.

Primary Examiner—Cathy Anne MacCormac

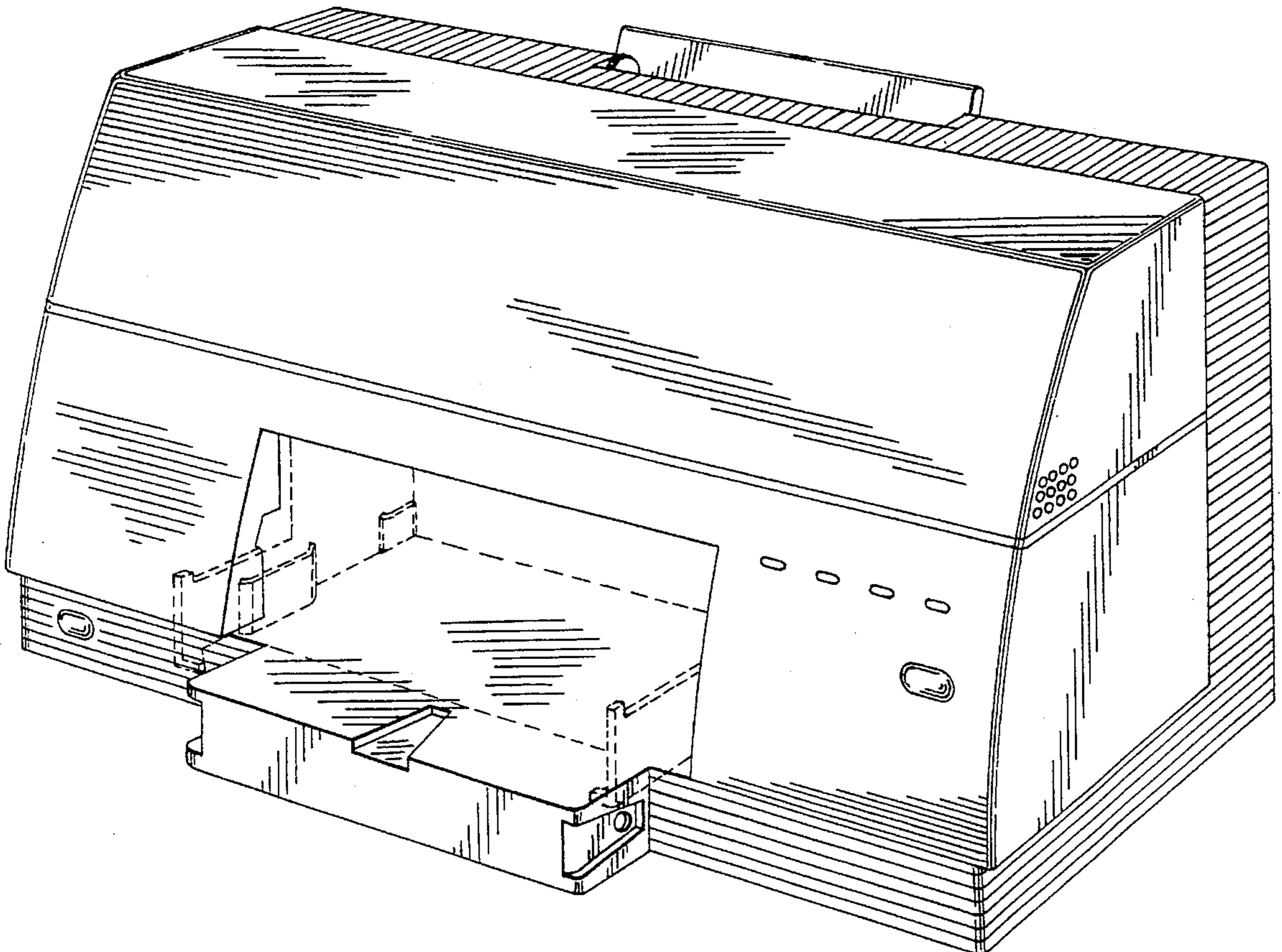
[57] CLAIM

The ornamental design for a printer, as shown.

DESCRIPTION

FIG. 1 is a perspective view illustrating my new design;
FIG. 2 is a top plan view;
FIG. 3 is a front elevational view;
FIG. 4 is a bottom plan view;
FIG. 5 is a rear elevational view;
FIG. 6 is a right side elevational view; and,
FIG. 7 is a left side elevational view.
The broken lines are for purposes of illustration only and
form no part of the claimed design.

1 Claim, 4 Drawing Sheets



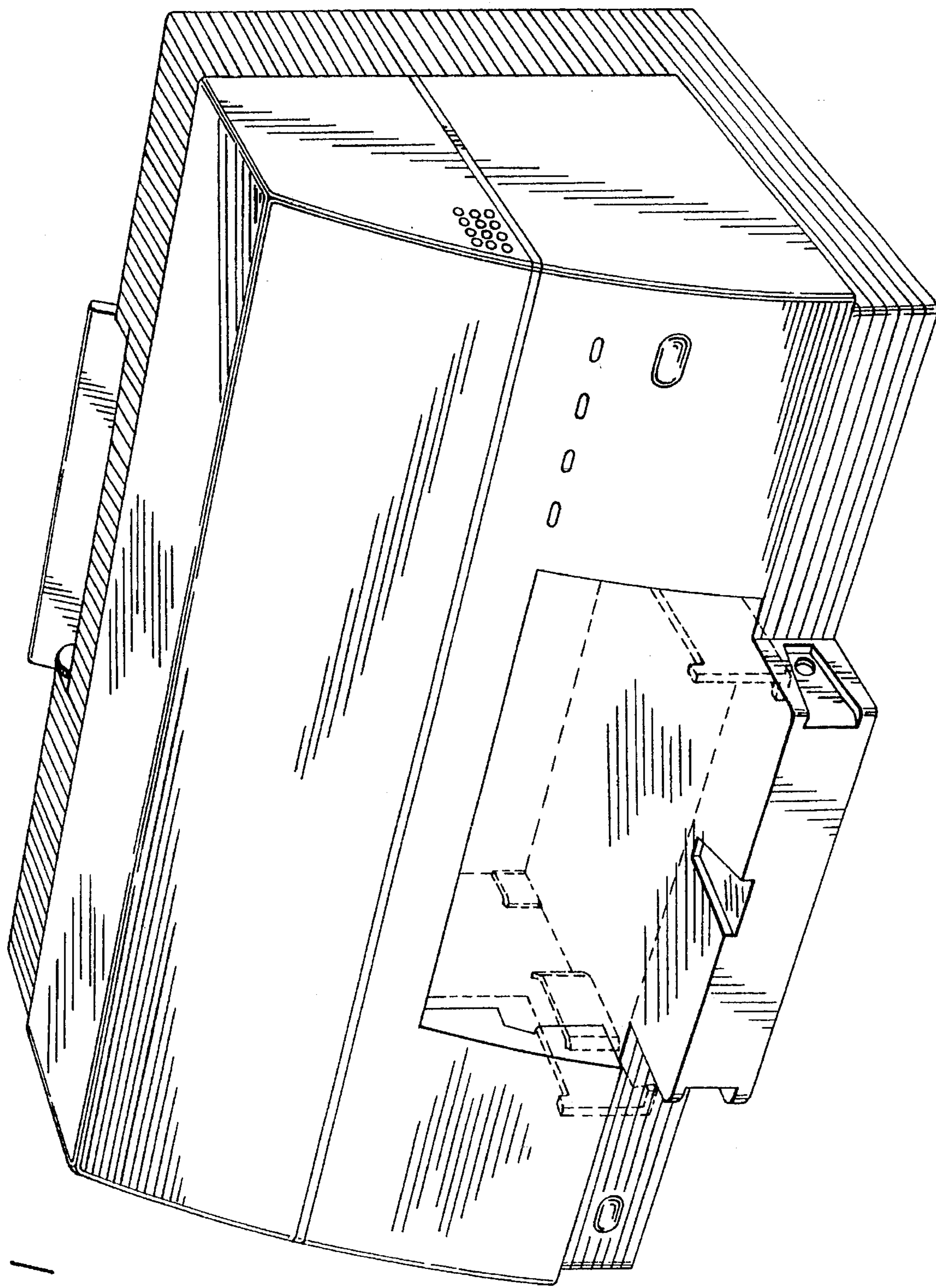


FIG. 1

FIG. 2

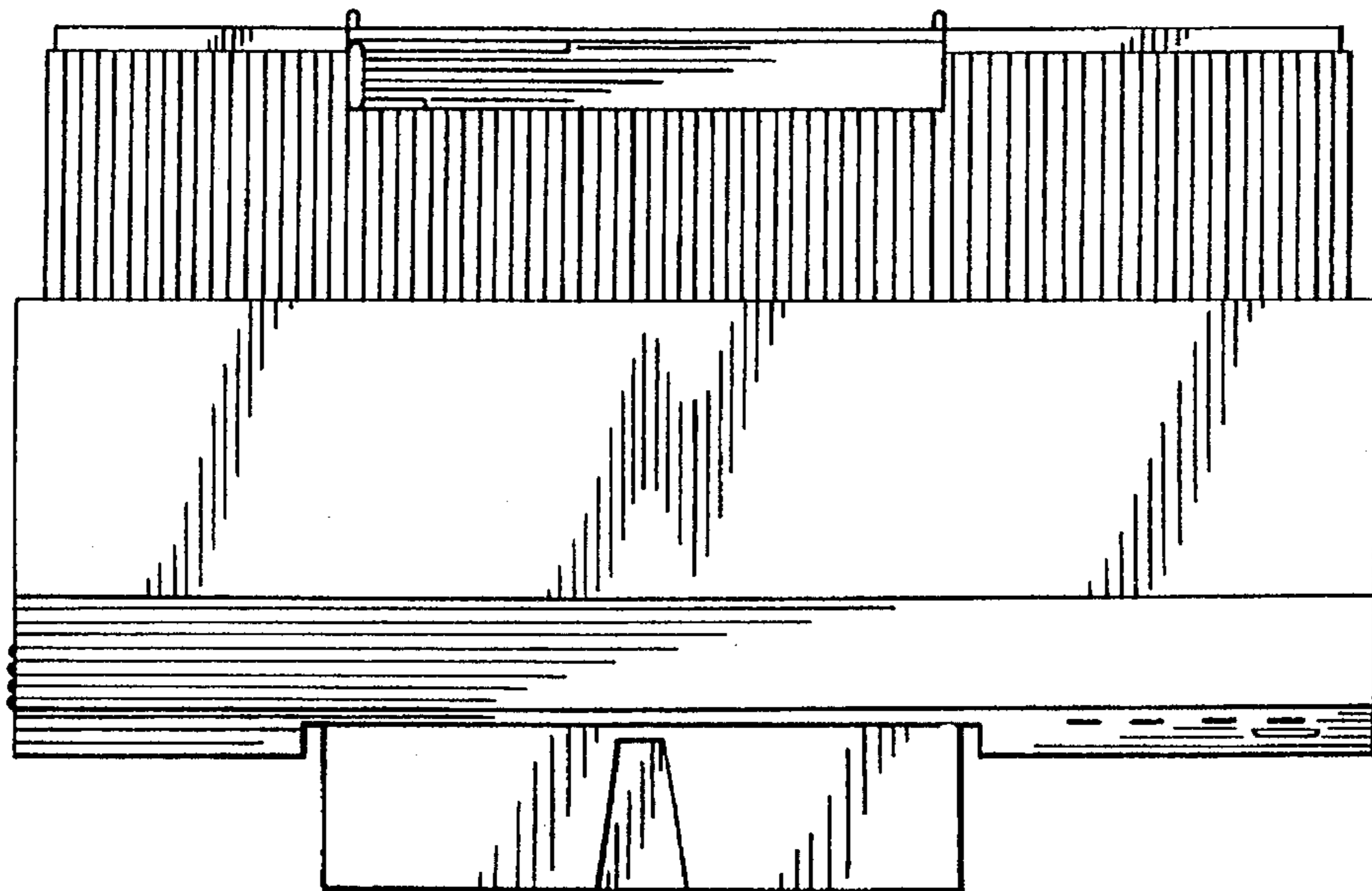


FIG. 3

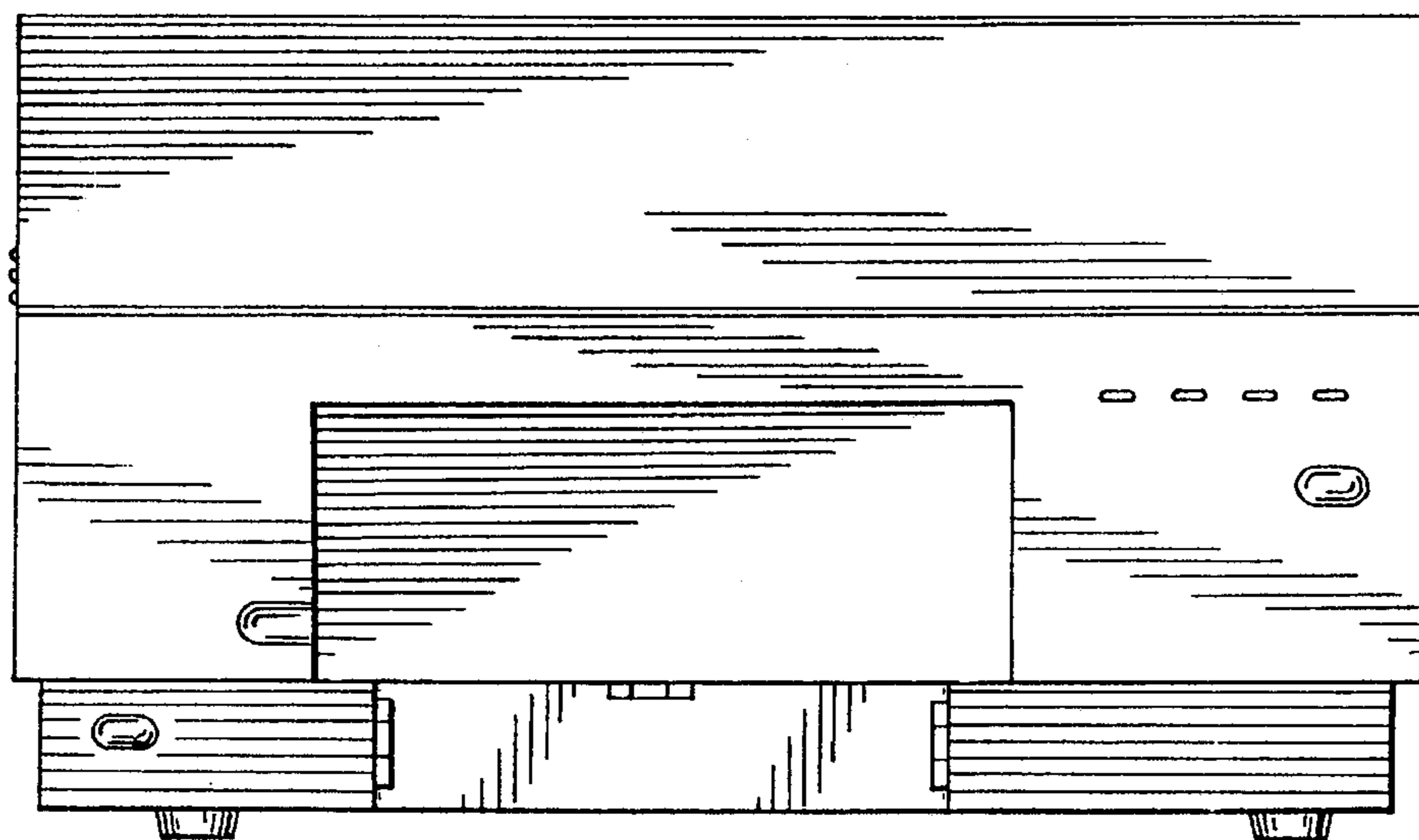


FIG. 4

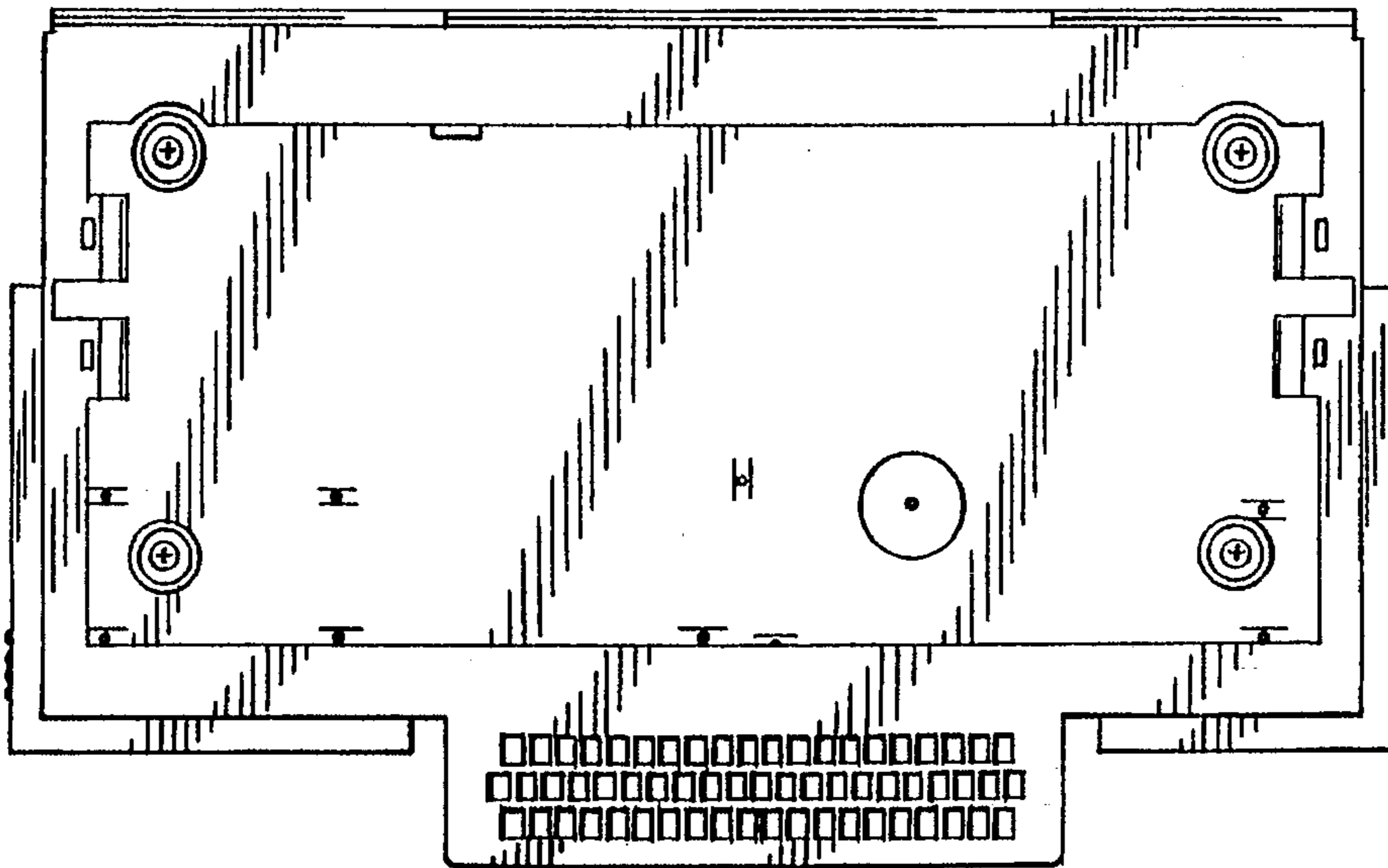


FIG. 5

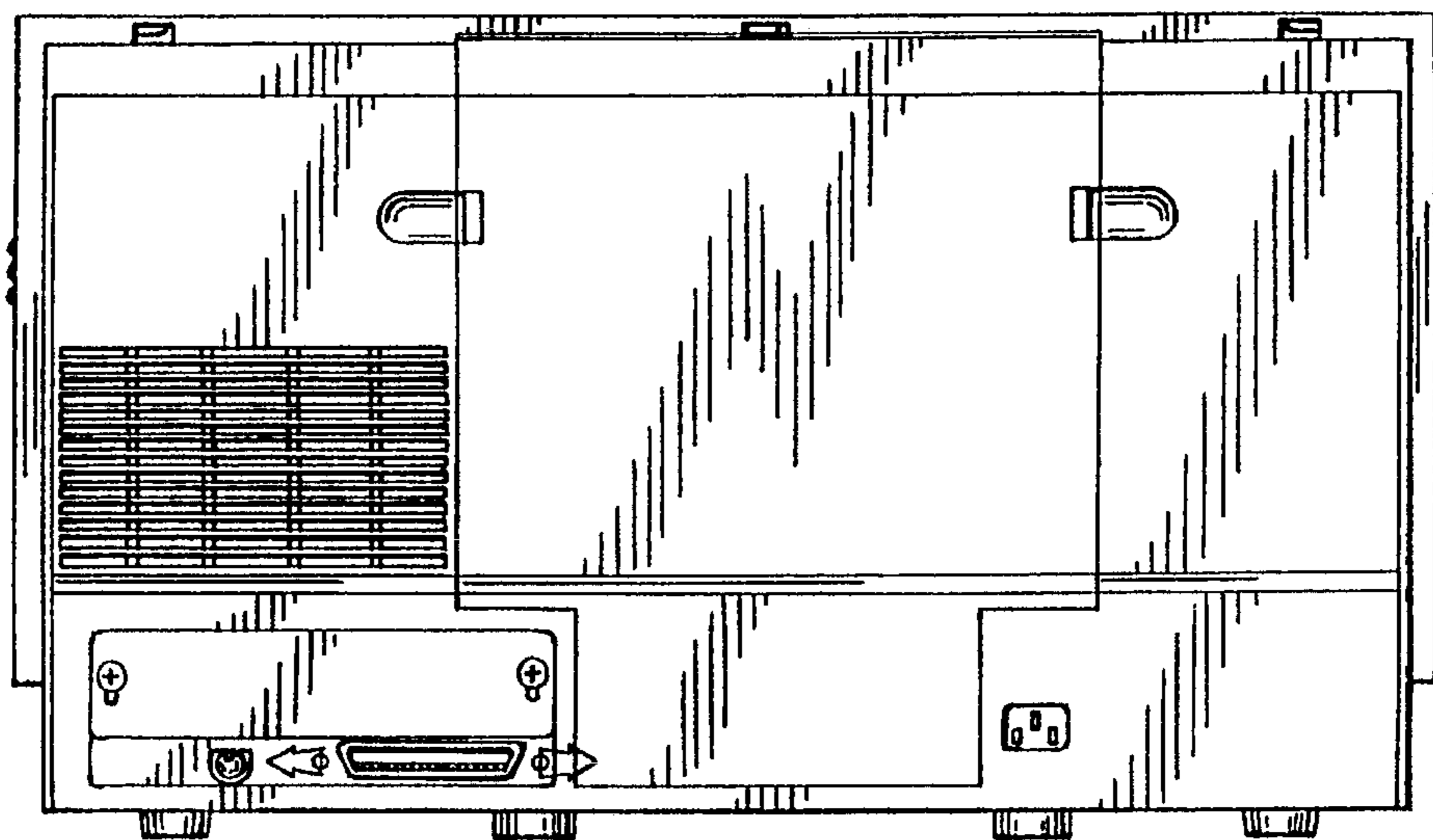


FIG. 6

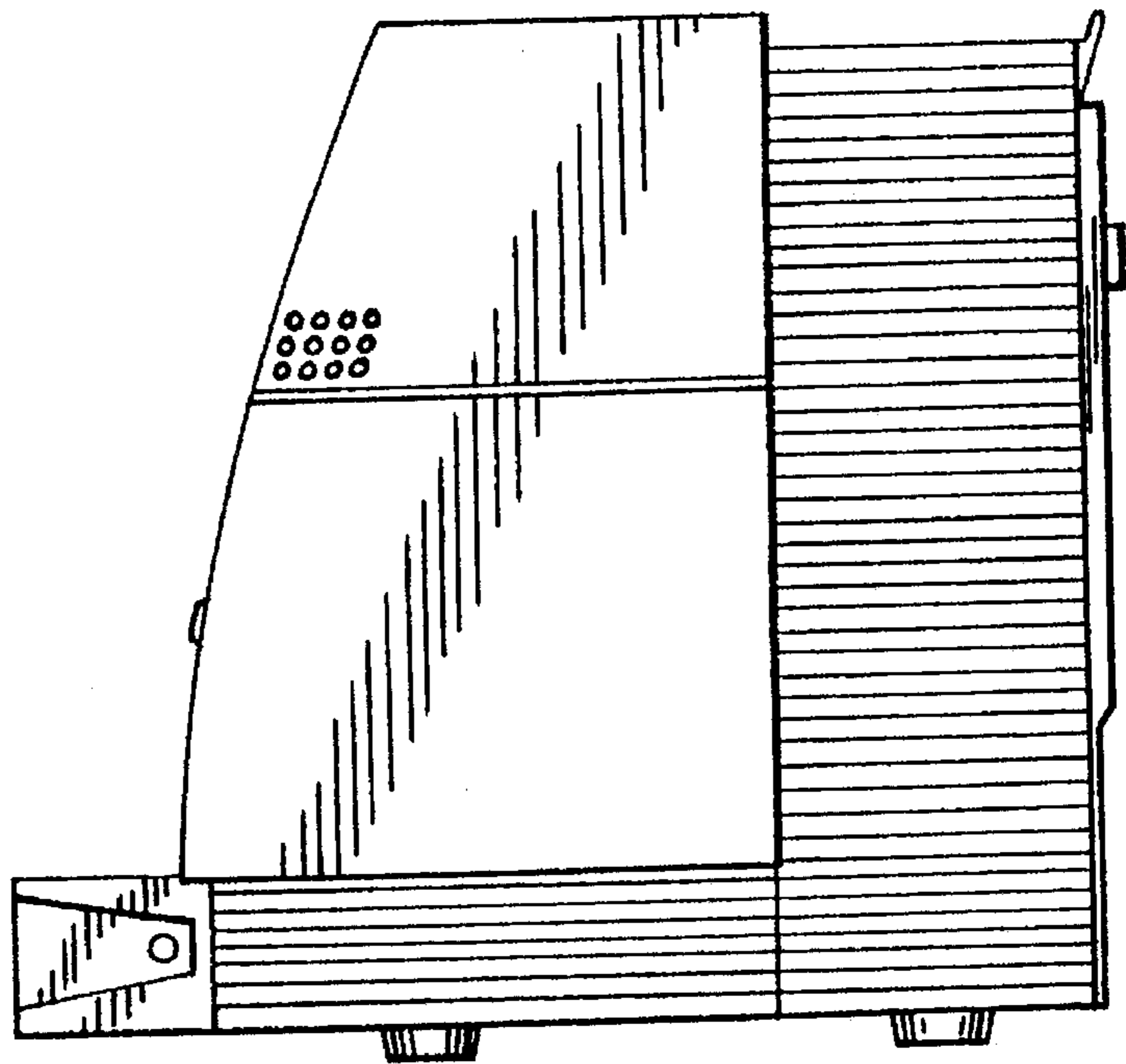


FIG. 7

