



US00D376611S

United States Patent [19]

[11] **Patent Number: Des. 376,611**

Field

[45] **Date of Patent: **Dec. 17, 1996**

[54] **CAMERA SUPPORT**

4,943,820 7/1990 Larock 352/243
4,991,758 2/1991 Eaneff 354/82

[76] Inventor: **Steve Field**, 1722 Harper Ave.,
Redondo Beach, Calif. 90278

Primary Examiner—Ted Shooman
Assistant Examiner—Adir Aronovich
Attorney, Agent, or Firm—Marcia A. Devon

[**] Term: **14 Years**

[57] **CLAIM**

[21] Appl. No.: **22,004**

The ornamental design for the camera support, as shown and described.

[22] Filed: **Apr. 28, 1994**

[52] U.S. Cl. **D16/242**; 224/208; 224/265;
224/908

DESCRIPTION

[58] **Field of Search** D3/267; D16/242,
D16/243; 224/253, 265, 270, 908, 208;
352/243; 354/82

FIG. 1 is a right side view of the invention;
FIG. 2 is a front view of the invention;
FIG. 3 is a rear view of the invention;
FIG. 4 is a left side view of the invention;
FIG. 5 is an top plan view of the invention;
FIG. 6 is an bottom plan view of the invention; and,
FIG. 7 is a top, front perspective view thereof.

[56] **References Cited**

U.S. PATENT DOCUMENTS

4,416,405 11/1983 Caillouet 224/208
4,526,308 7/1985 Dovey 224/265
4,714,184 12/1987 Young et al. D16/242

1 Claim, 3 Drawing Sheets

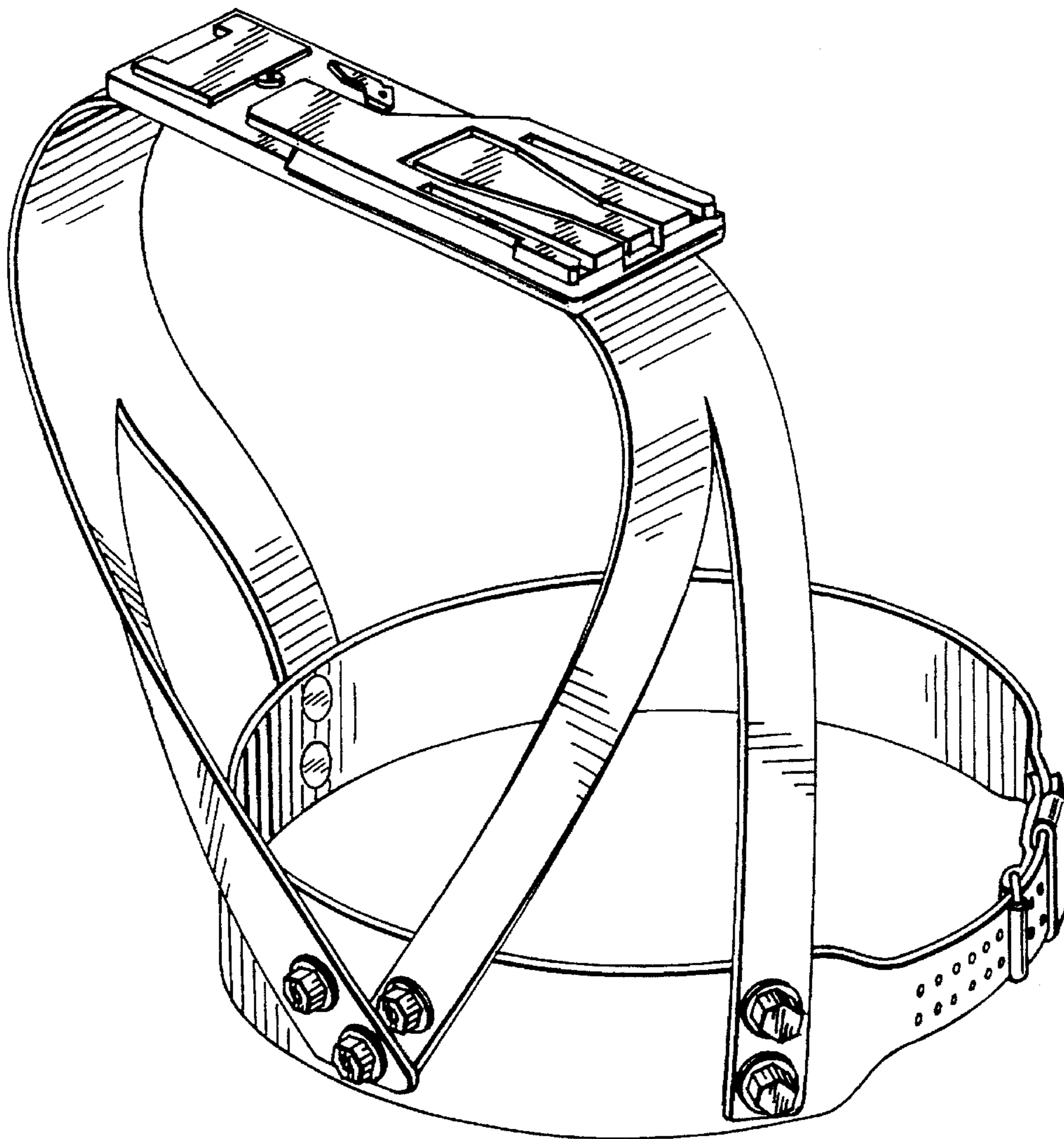


FIG. 1

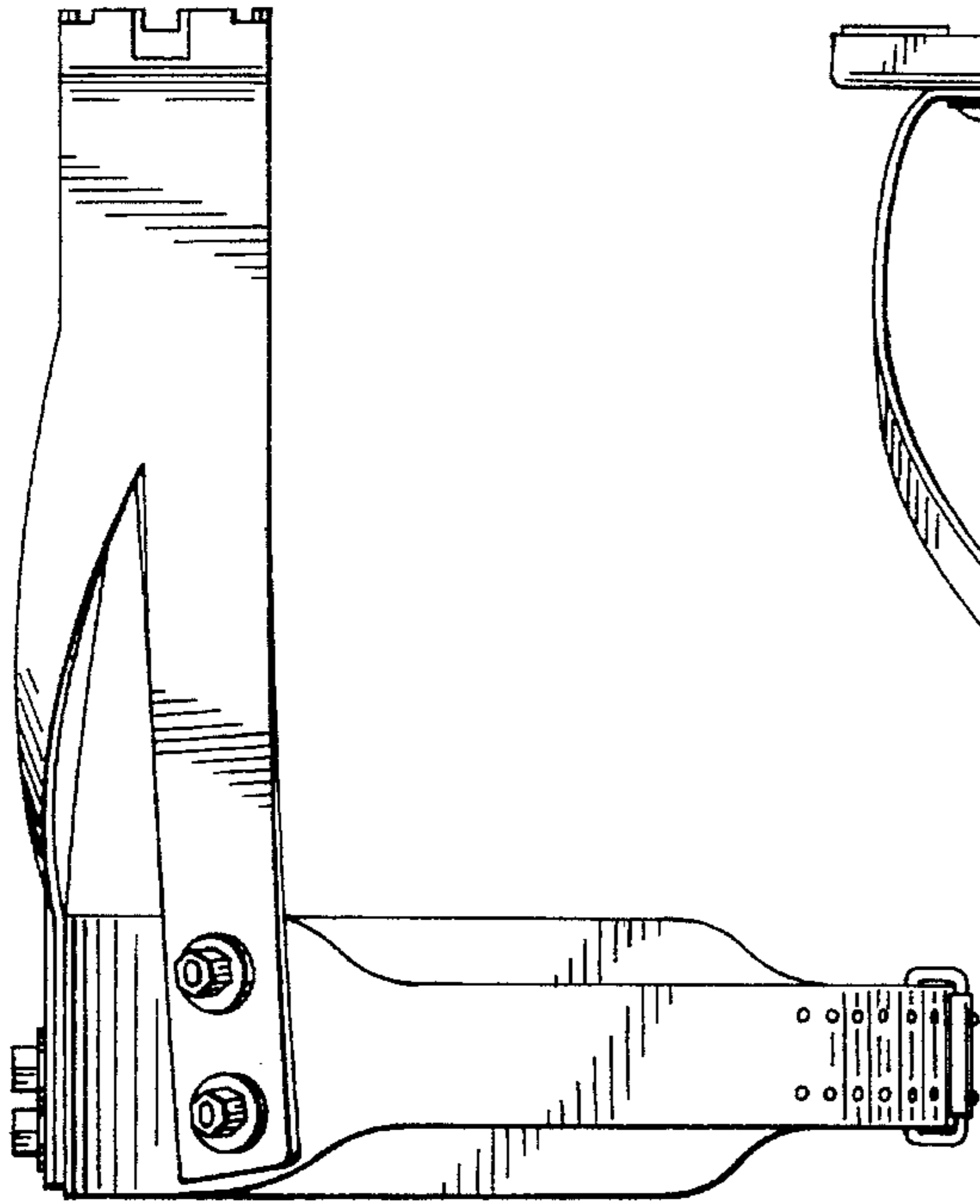


FIG. 2

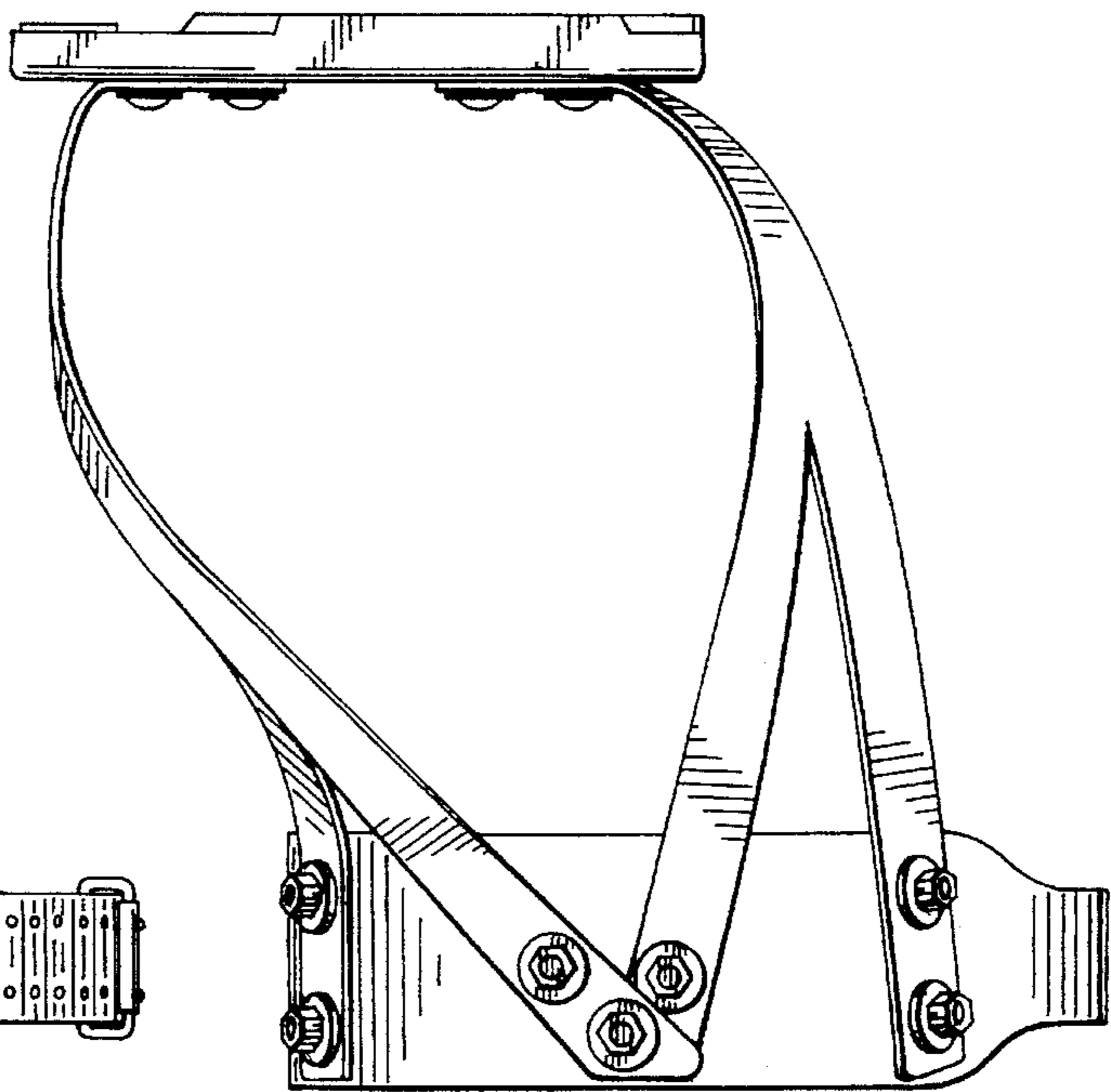


FIG. 3

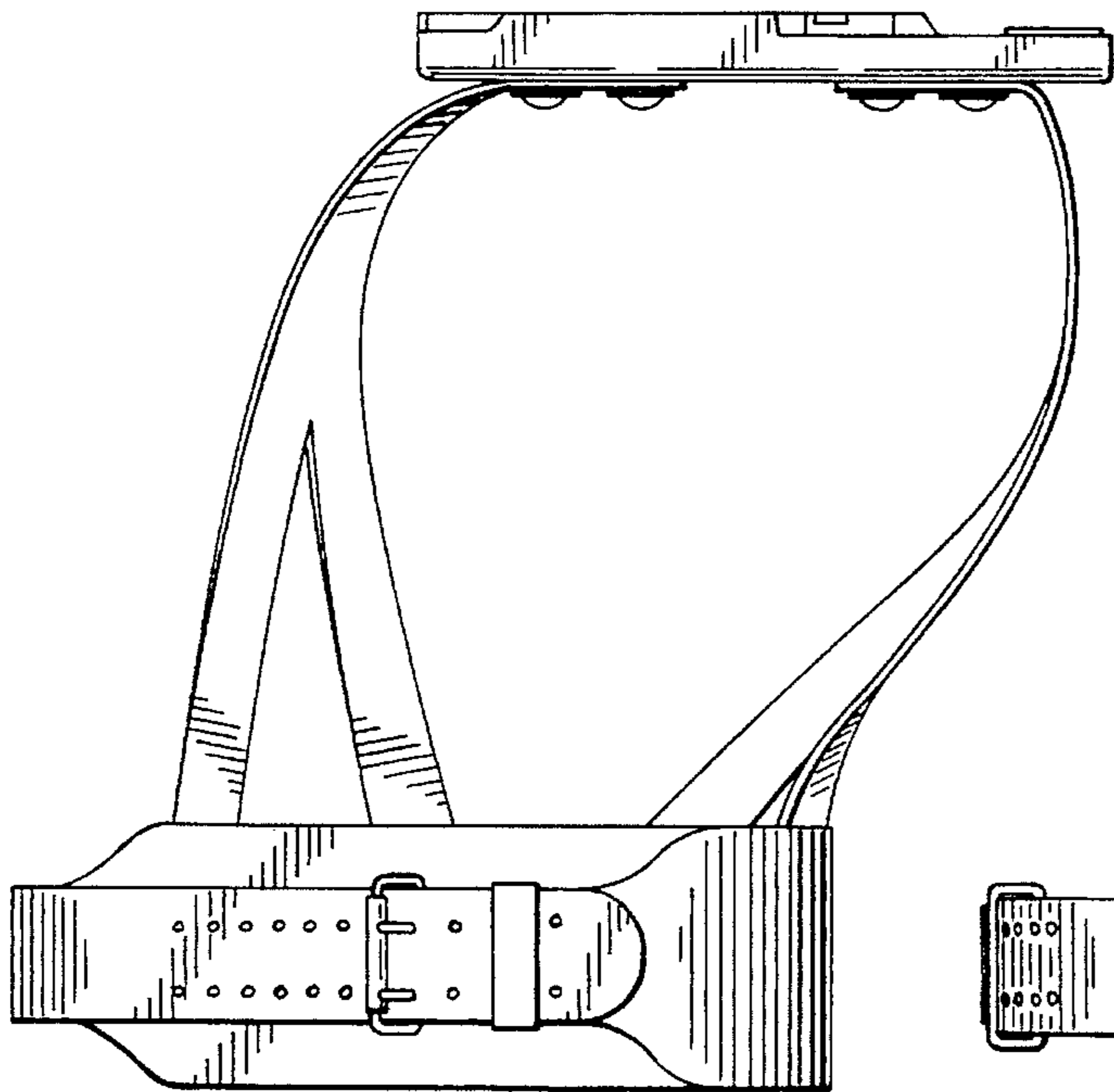
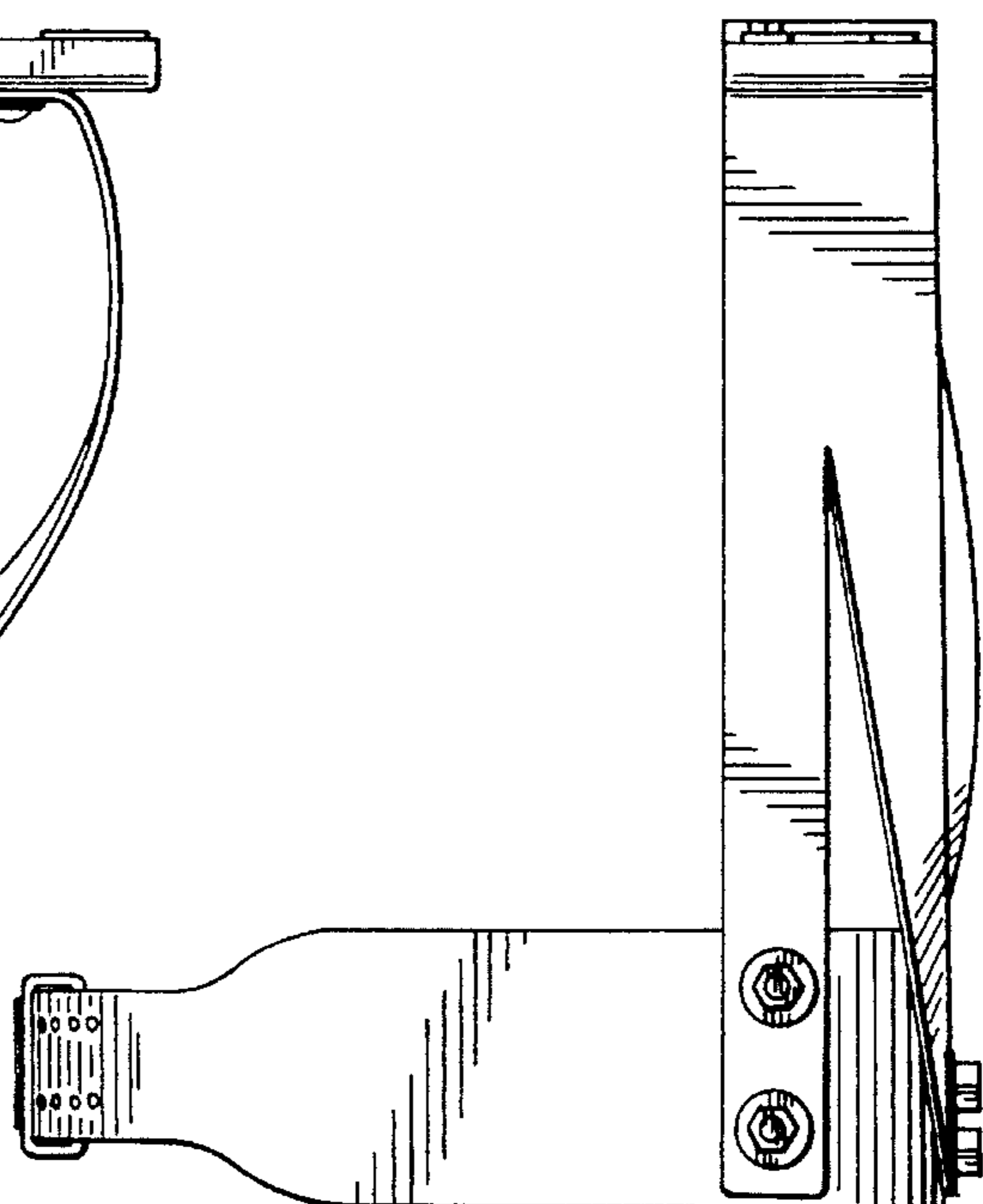


FIG. 4



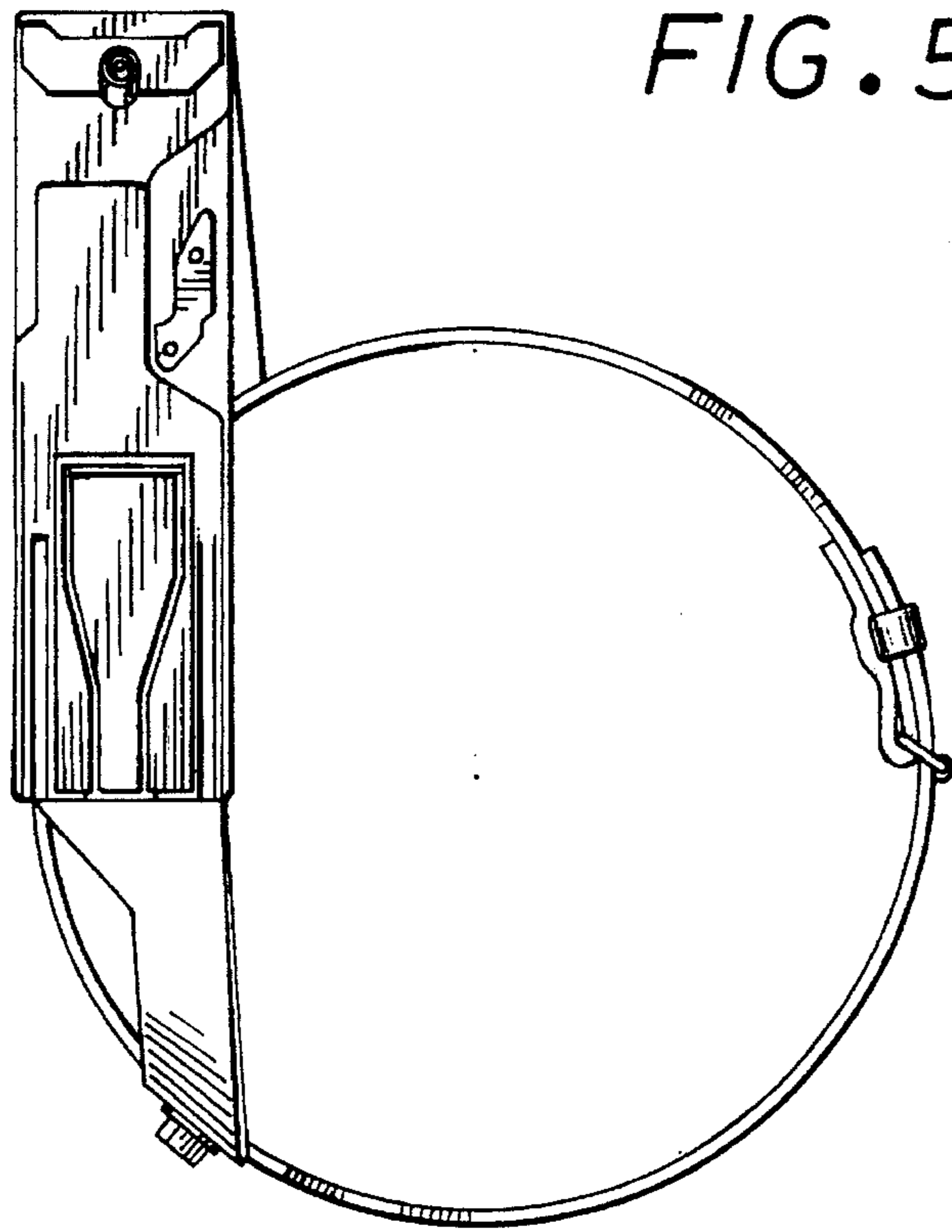


FIG. 5

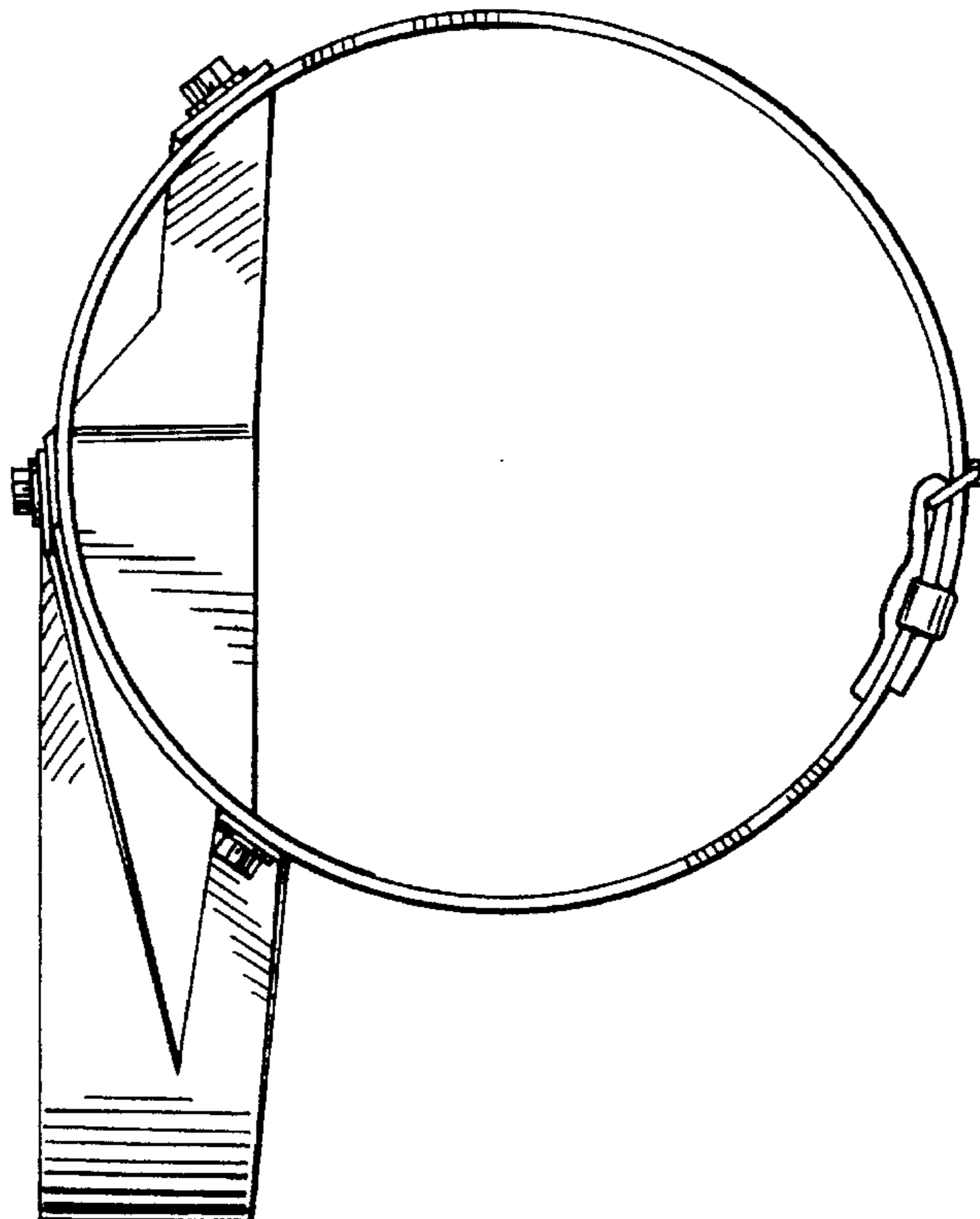


FIG. 6

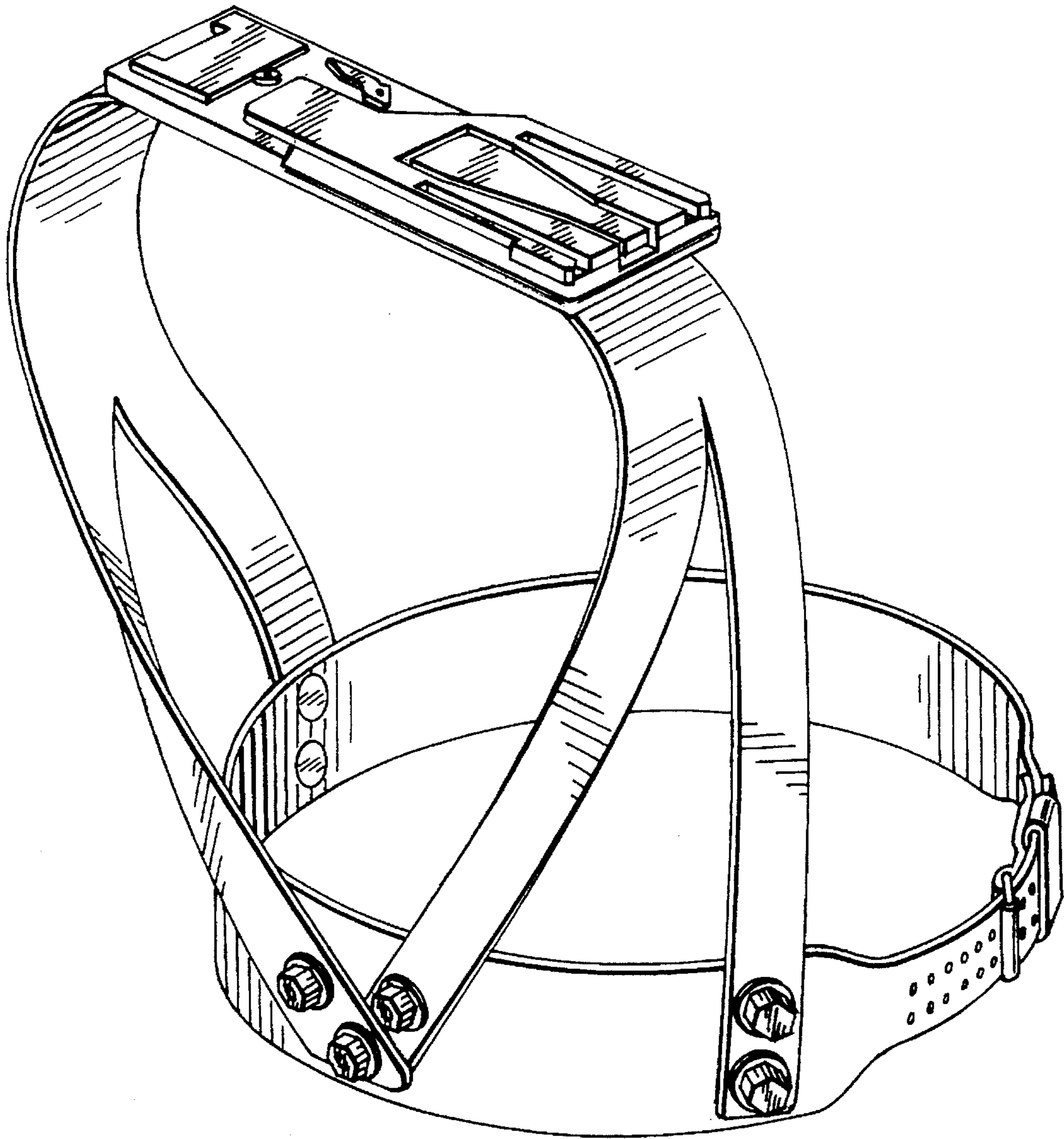


FIG. 7