



US00D376607S

United States Patent [19]

[11] Patent Number: **Des. 376,607**

Mar et al.

[45] Date of Patent: ****Dec. 17, 1996**

[54] **SPIRAL BINDER**

[75] Inventors: **John H. Mar**, Seattle; **Kevin L. Engelbert**, Mukilteo; **Mark E. Hastings**, Mukilteo; **Randy C. Peterson**, Mukilteo, all of Wash.

[73] Assignee: **Unicoil, Inc.**, Norcross, Ga.

[**] Term: **14 Years**

[21] Appl. No.: **45,052**

[22] Filed: **Oct. 6, 1995**

3,889,309	7/1975	Adams et al. .
3,924,664	12/1975	Pfaffle .
3,972,109	8/1976	Sickinger .
4,129,156	12/1978	Pfaffle .
4,129,913	12/1978	Pfaffle .
4,143,686	3/1979	Sickinger et al. .
4,185,668	1/1980	Harbert .
4,208,750	6/1980	Pfaffle .
4,249,278	2/1981	Pfaffle .
4,378,822	4/1983	Morris .
4,610,590	9/1986	Pigna D15/128 X

FOREIGN PATENT DOCUMENTS

717238 9/1965 Canada .

Related U.S. Application Data

[63] Continuation-in-part of Ser. No. 29,606, Oct. 11, 1994, Pat. No. Des. 365,580.

[52] **U.S. Cl.** **D15/127**

[58] **Field of Search** D15/128; D19/72; 140/92.3; 281/21.1; 412/33, 34-41, 7

Primary Examiner—Antoine Duval Davis
Attorney, Agent, or Firm—Christensen O'Connor Johnson & Kindness PLLC

[57] CLAIM

The ornamental design for a spiral binder, as shown.

DESCRIPTION

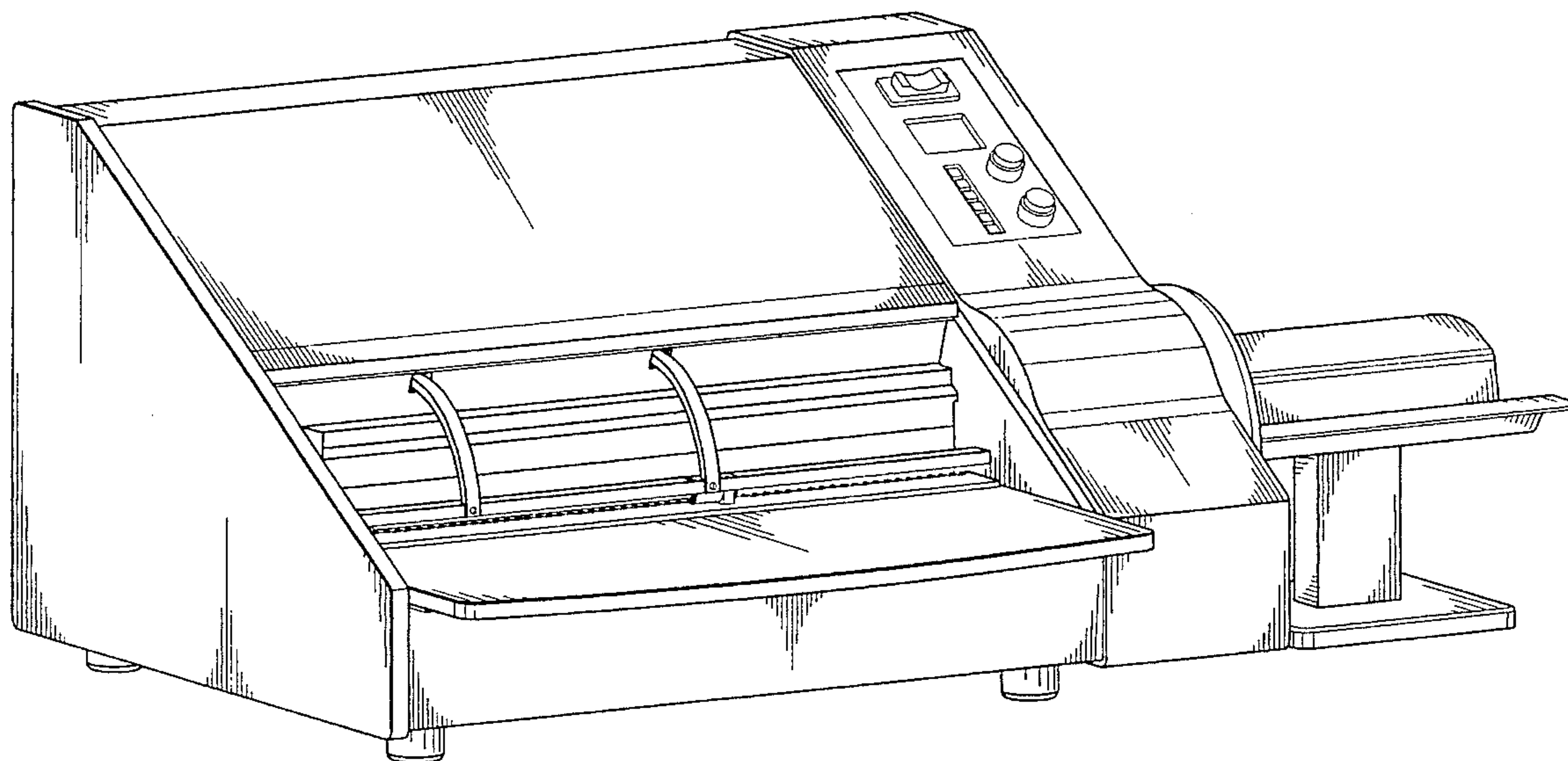
FIG. 1 is a perspective view of a spiral binder showing my new design;
FIG. 2 is a top view thereof;
FIG. 3 is a front elevation view thereof;
FIG. 4 is a back elevation view thereof;
FIG. 5 is a bottom view thereof;
FIG. 6 is a side elevation view thereof; and,
FIG. 7 is a side elevational view of the other side thereof.

References Cited

U.S. PATENT DOCUMENTS

3,122,761	3/1964	Bouvier .
3,367,649	2/1968	Thomas et al. .
3,459,242	8/1969	Schmidt .
3,467,150	9/1969	Ostermeier .
3,486,537	12/1969	Sickinger .
3,592,242	7/1971	Sickinger .
3,793,660	2/1974	Sims et al. .
3,818,954	6/1974	Pfaffle .
3,826,290	7/1974	Pfaffle .

1 Claim, 6 Drawing Sheets



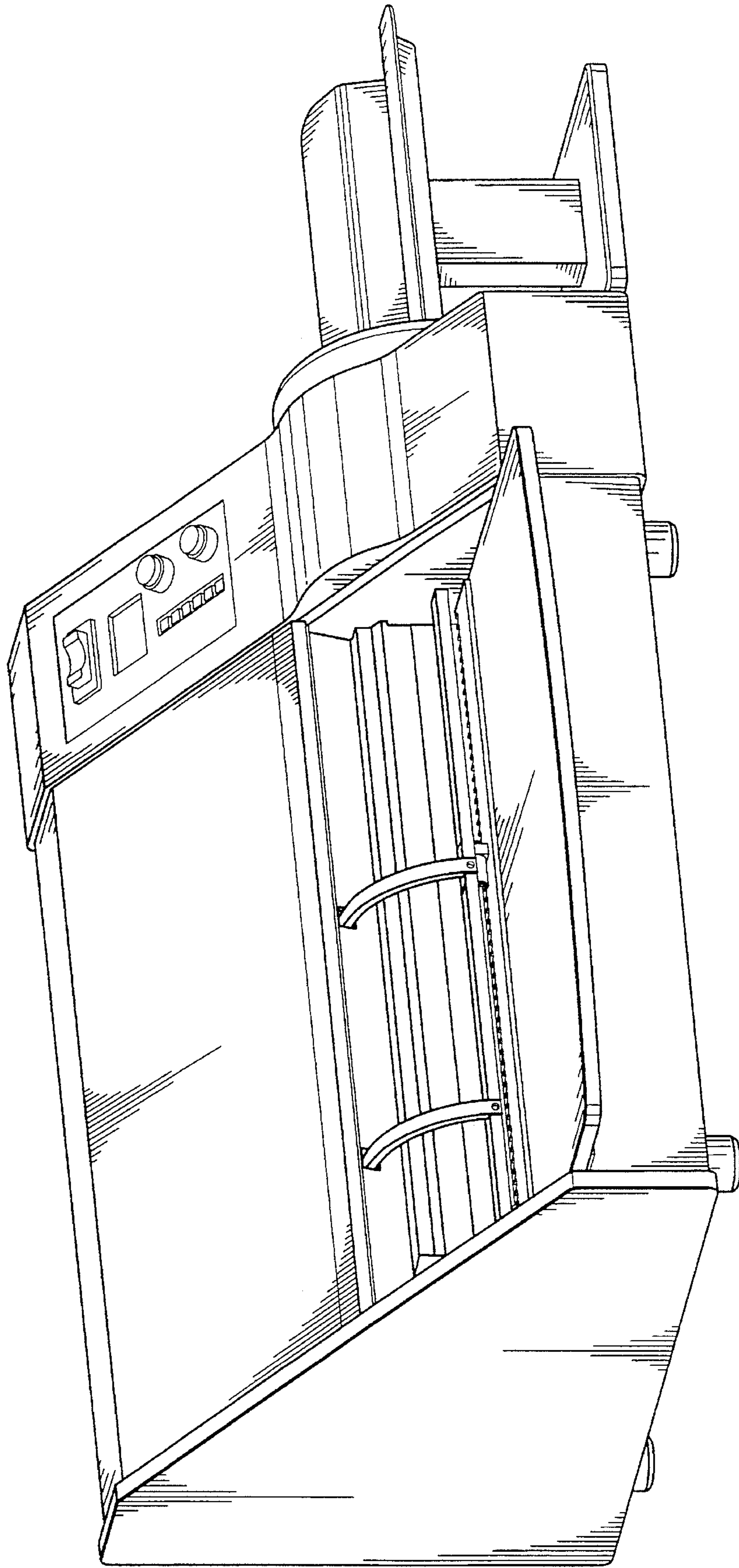


Fig. 1.

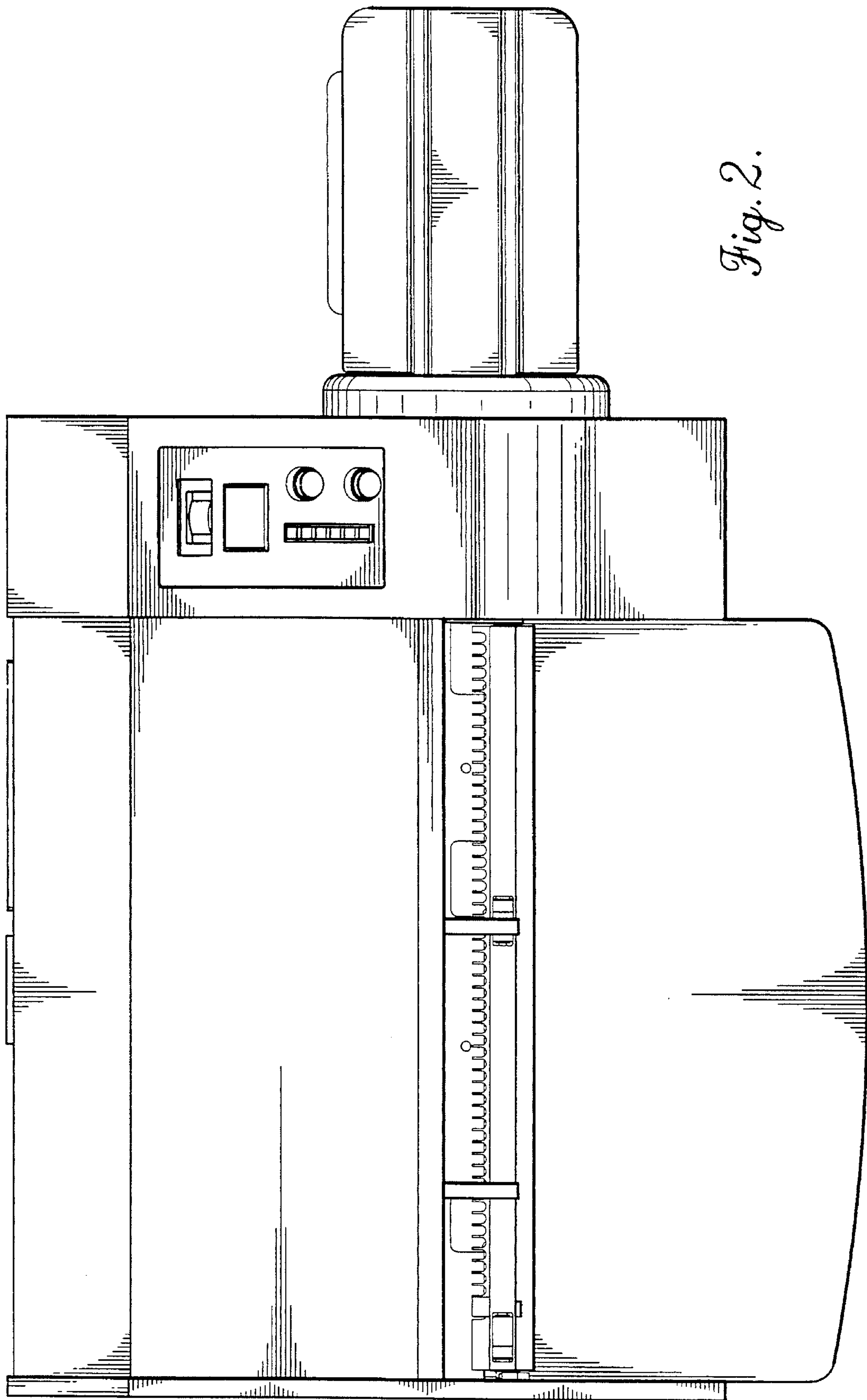
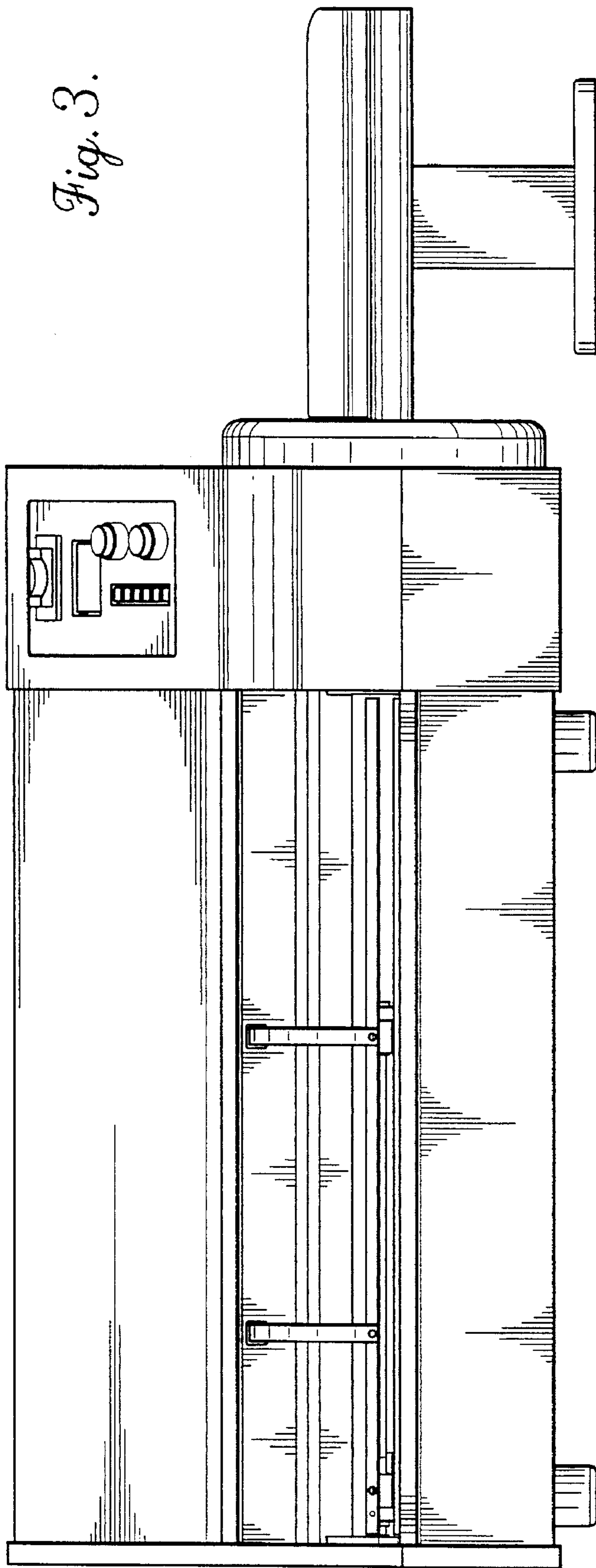


Fig. 2.

Fig. 3.



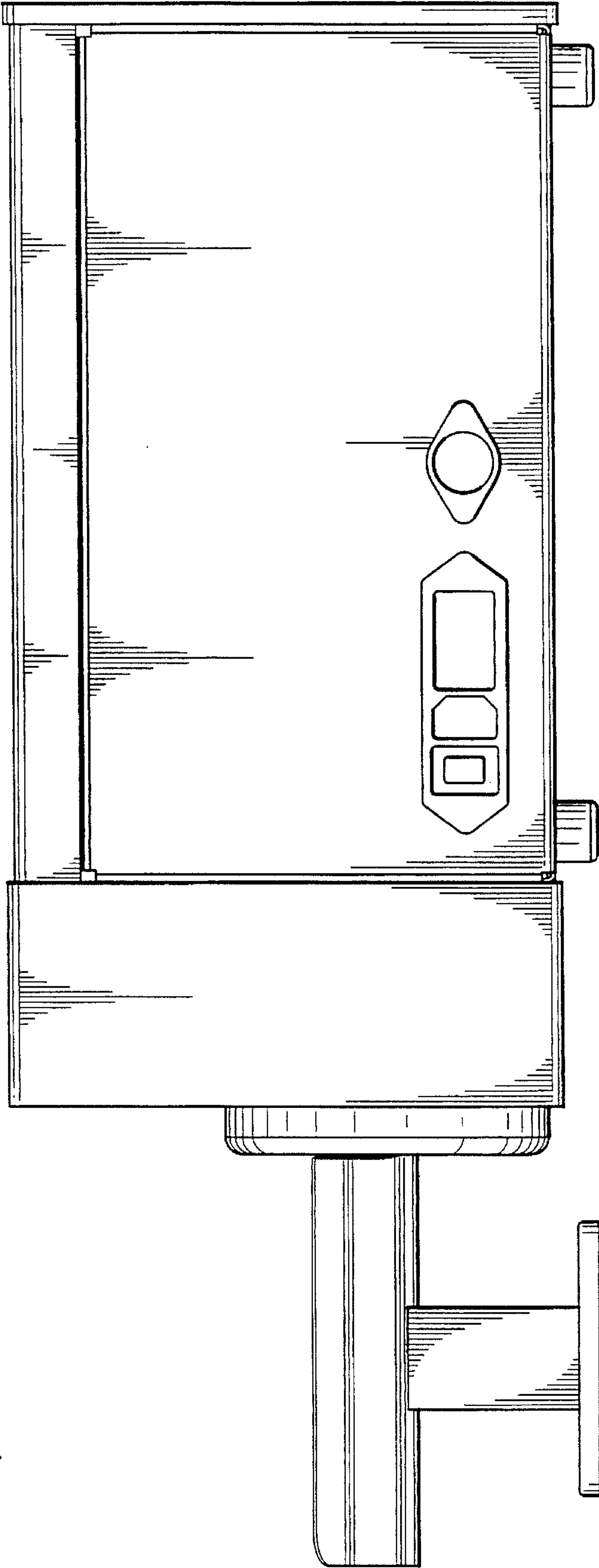


Fig. 4.

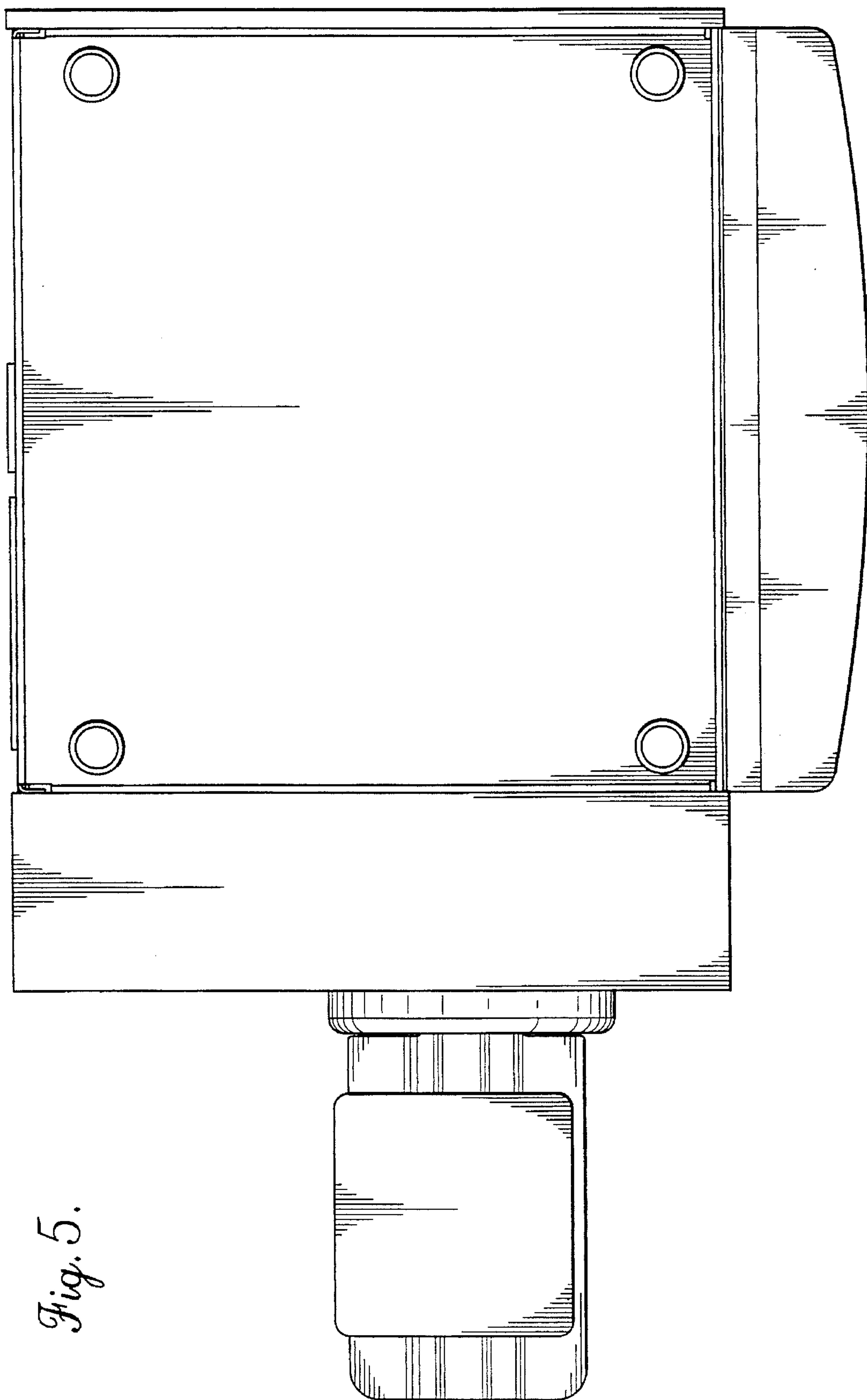


Fig. 5.

Fig. 6.

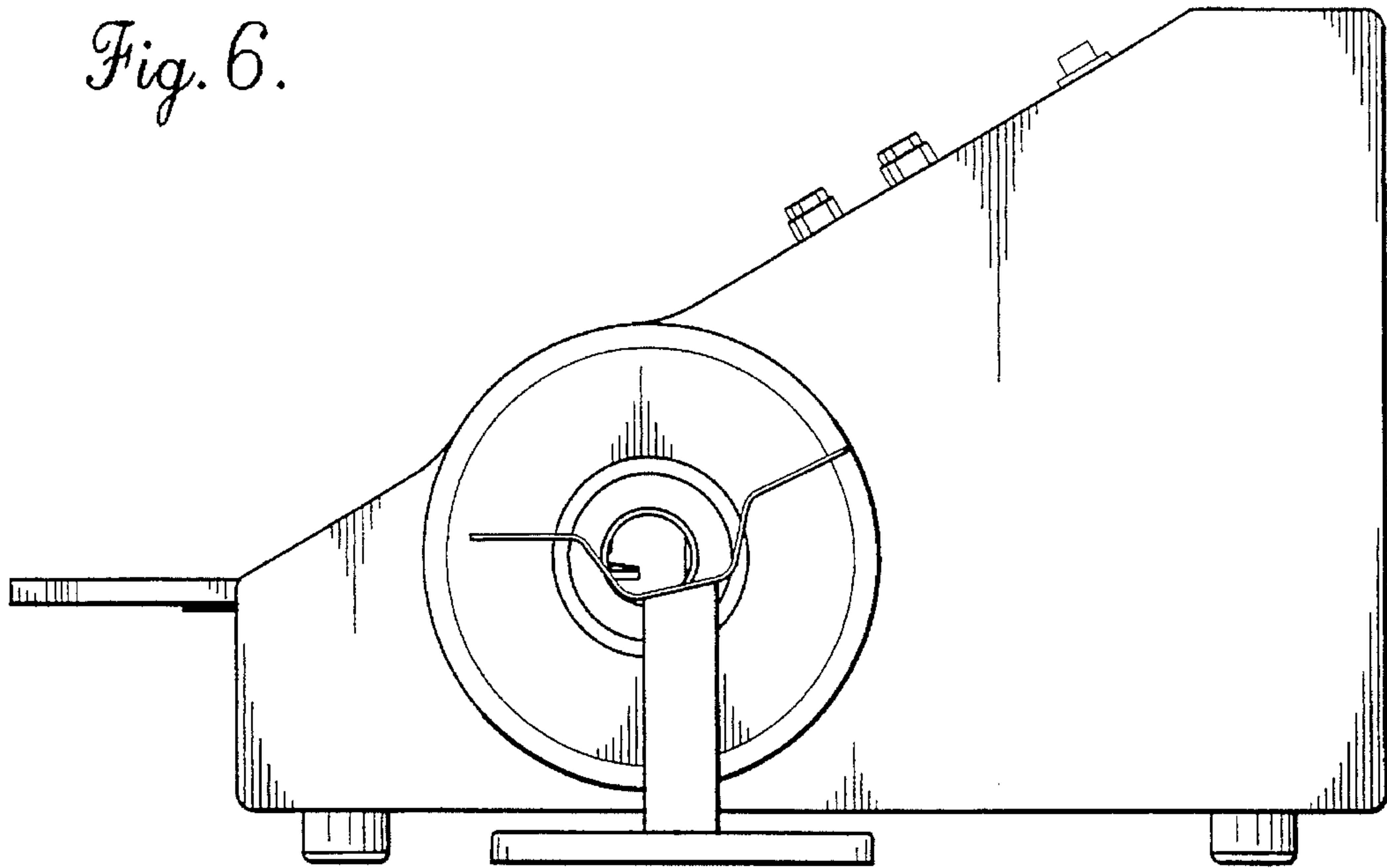


Fig. 7.

