



US00D376605S

United States Patent [19]

Chung

[11] Patent Number: **Des. 376,605**

[45] Date of Patent: ****Dec. 17, 1996**

[54] SEWING MACHINE

[75] Inventor: **Ming C. Chung**, Taichung, Taiwan

[73] Assignee: **The Singer Company N.V.**, Curaco, Netherlands

[**] Term: **14 Years**

[21] Appl. No.: **11,509**

[22] Filed: **Aug. 6, 1993**

[52] U.S. Cl. **D15/69**

[58] Field of Search D15/66-78; 112/217.1-217.4, 112/258-262.1

D. 338,022	8/1993	Takada et al.	D15/69
4,407,211	10/1983	Kiyoshima	112/260
5,315,943	5/1994	Sonoda	112/260

OTHER PUBLICATIONS

Vogue Patterns, Sep. Oct. 1984 p. 96 Bernette Overlocker.
Spiegel Catalog Jul./1992 p. 449 Singer Overlock Machine.

Primary Examiner—Sandra L. Morris

Attorney, Agent, or Firm—McCormick, Paulding & Huber

[57] CLAIM

The ornamental design for a sewing machine, as shown and described.

DESCRIPTION

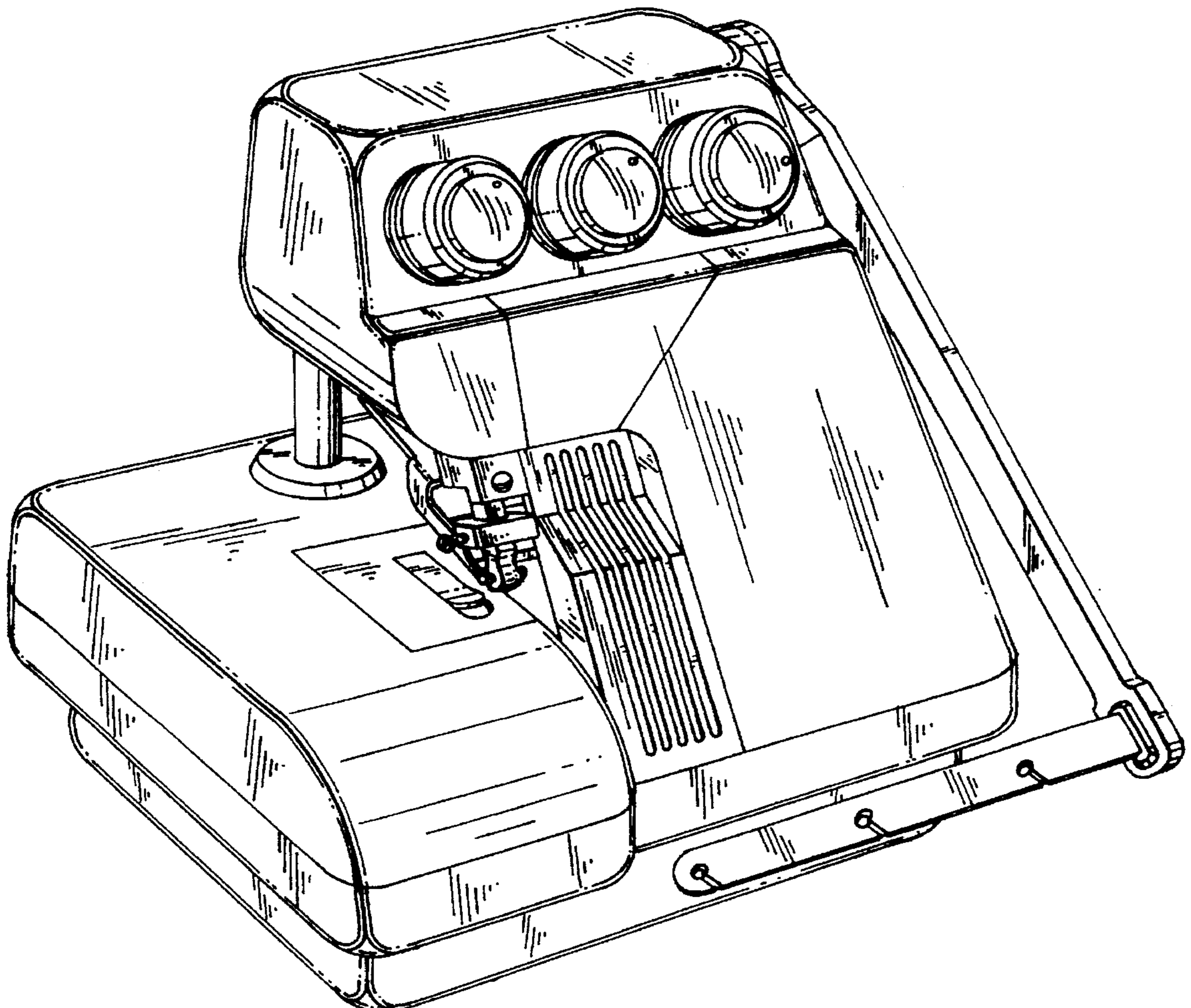
FIG. 1 is a perspective front view of a sewing machine;
FIG. 2 is a perspective rear view;
FIG. 3 is a right side view;
FIG. 4 is a front view;
FIG. 5 is a rear view;
FIG. 6 is a left side view; and,
FIG. 7 is a top view.

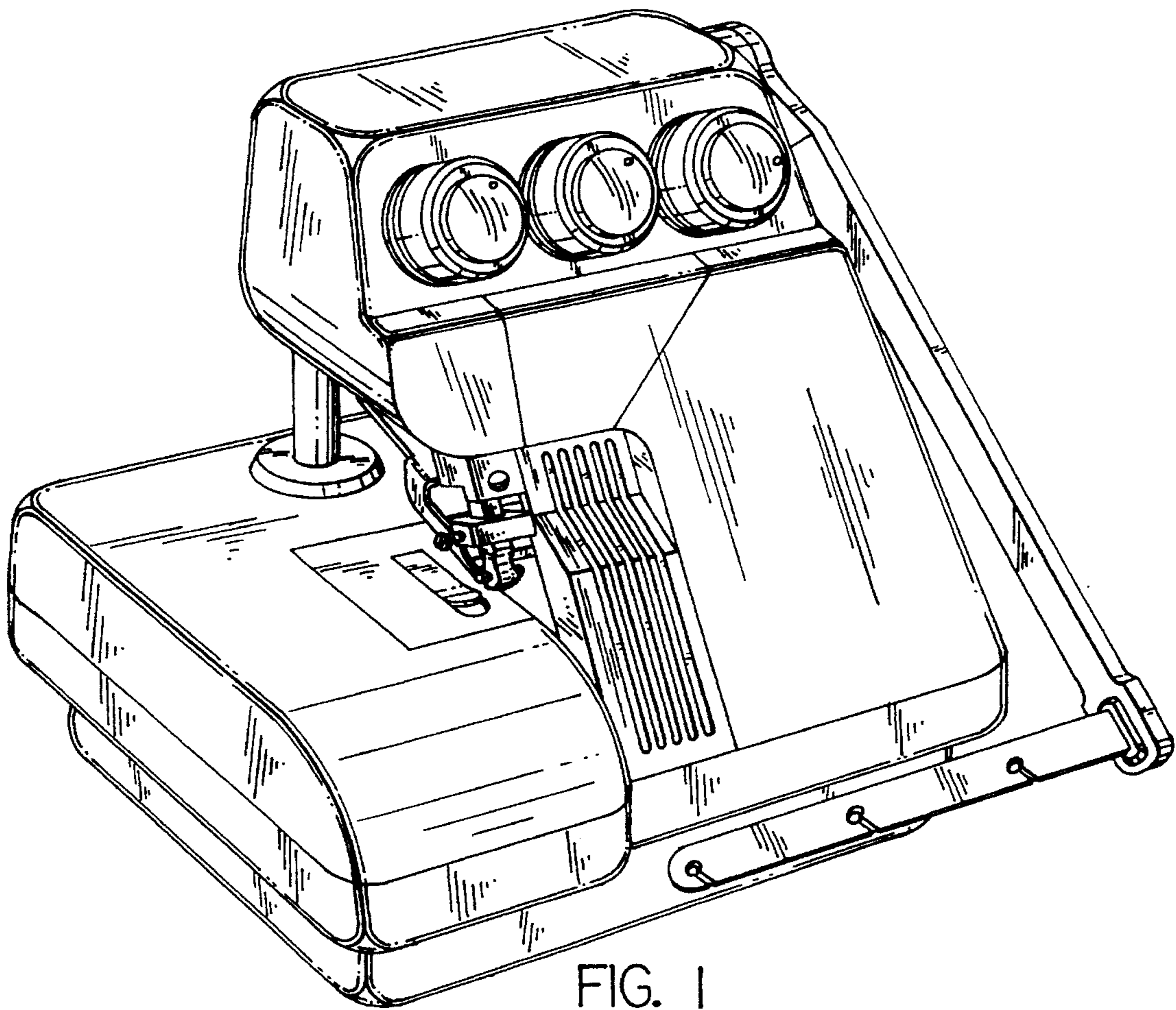
1 Claim, 7 Drawing Sheets

[56] References Cited

U.S. PATENT DOCUMENTS

D. 267,881	2/1983	Current	D15/68
D. 278,823	5/1985	Yoneda	D15/69
D. 298,044	10/1988	Sekiguchi	D15/69
D. 306,601	3/1990	Uchida	D15/69
D. 307,023	4/1990	Eguchi	D15/69
D. 309,739	8/1990	Itoh et al.	D15/69
D. 321,694	11/1991	Uchida	D15/69





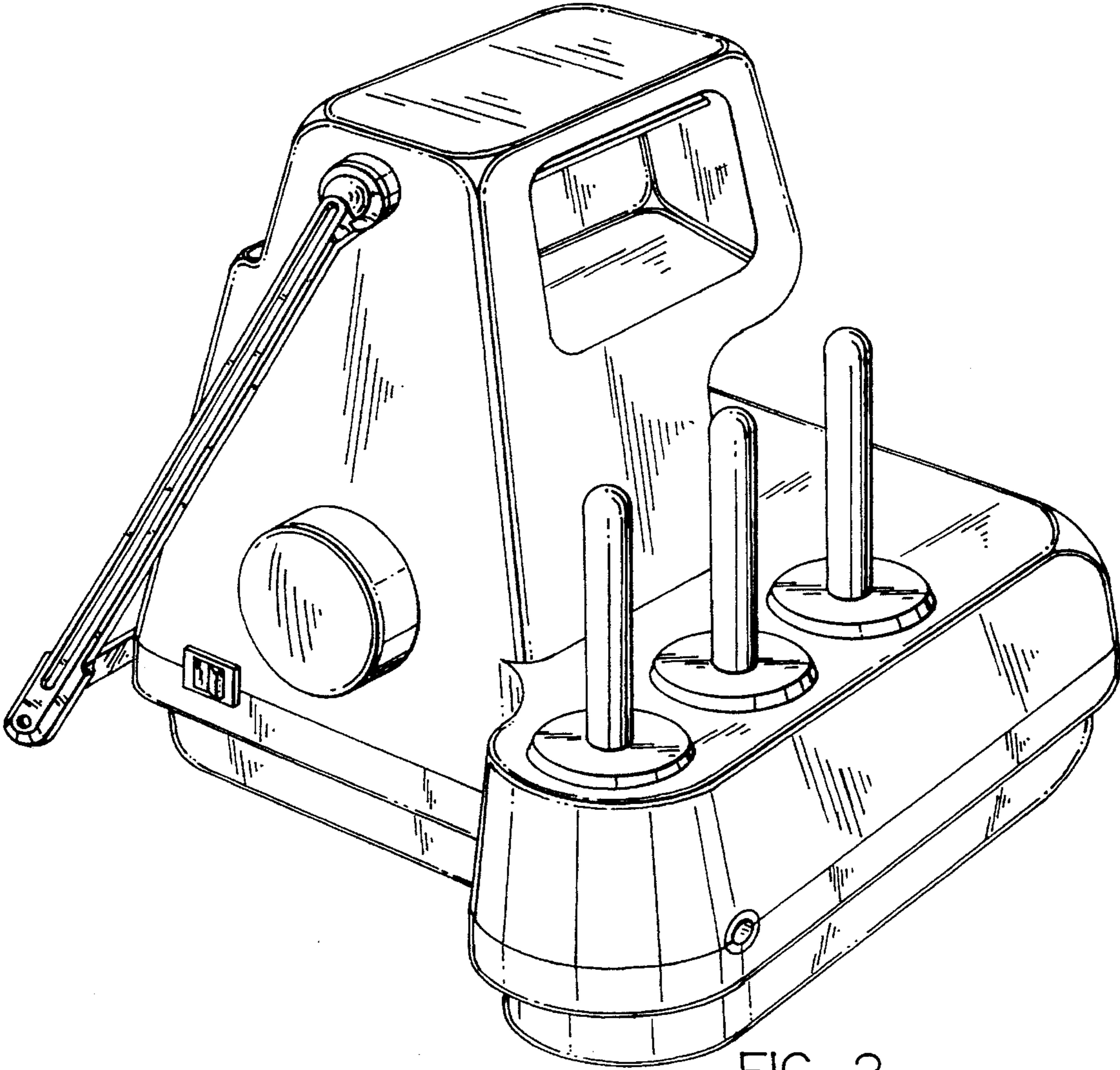


FIG. 2

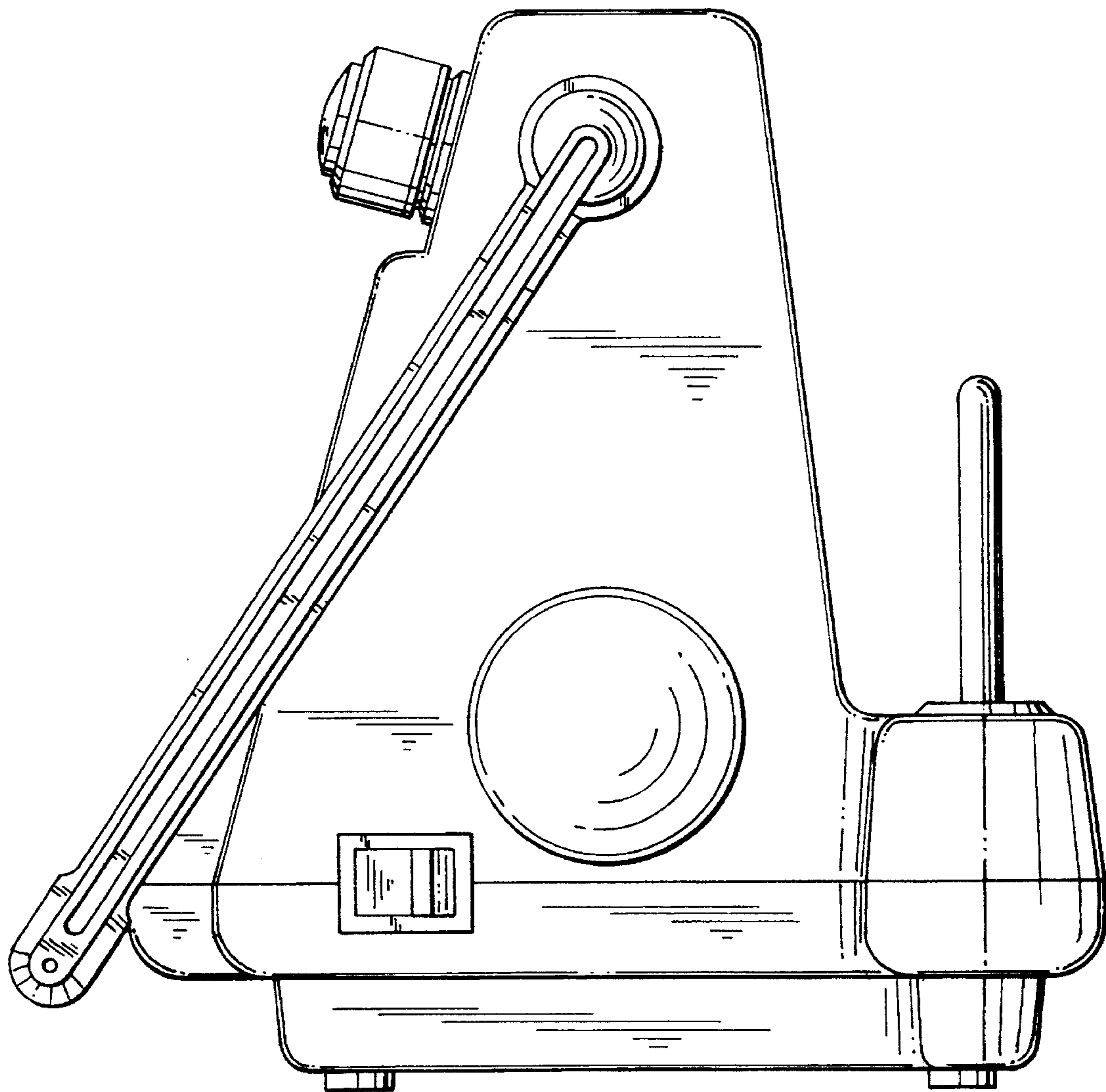


FIG. 3

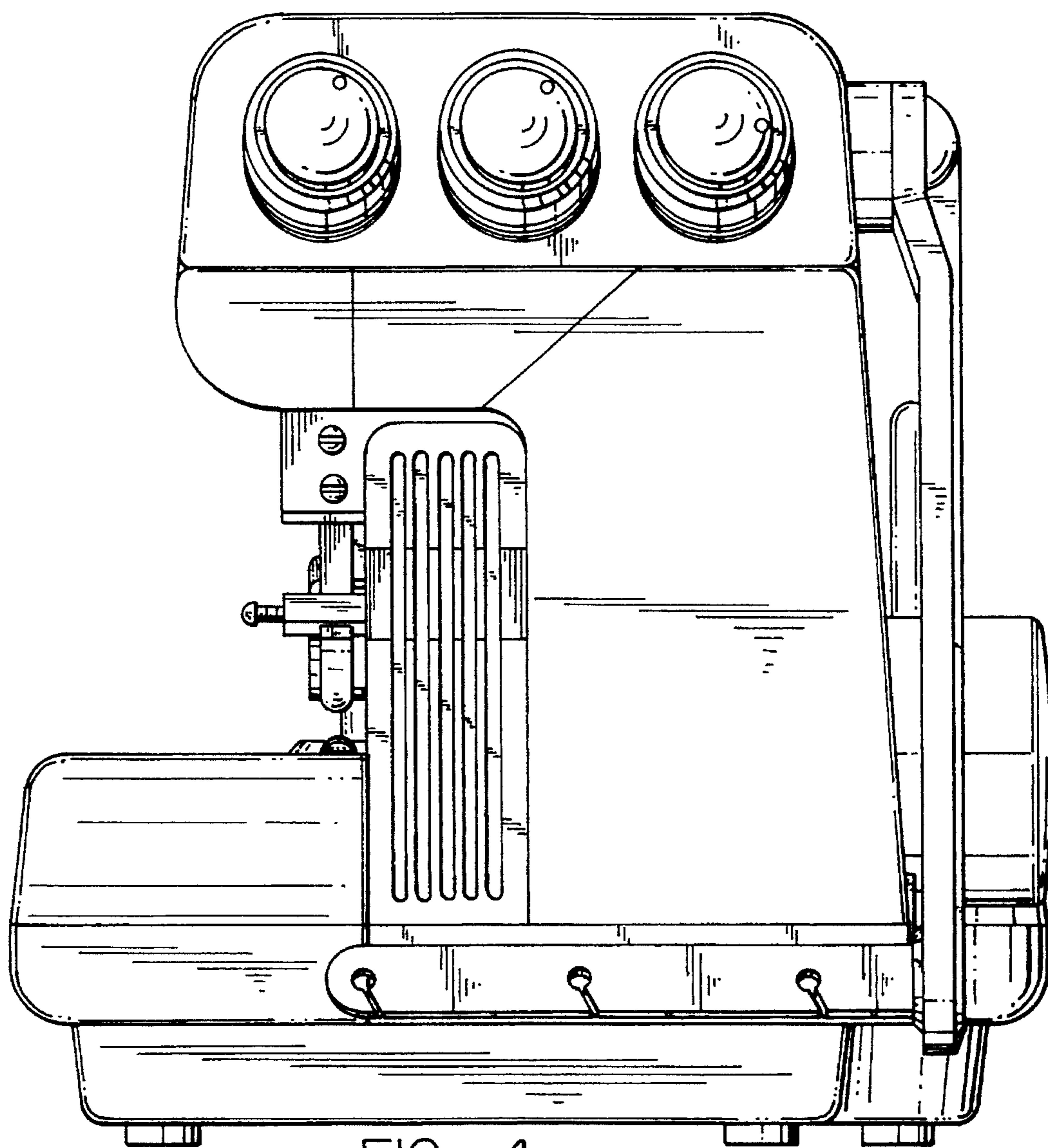


FIG. 4

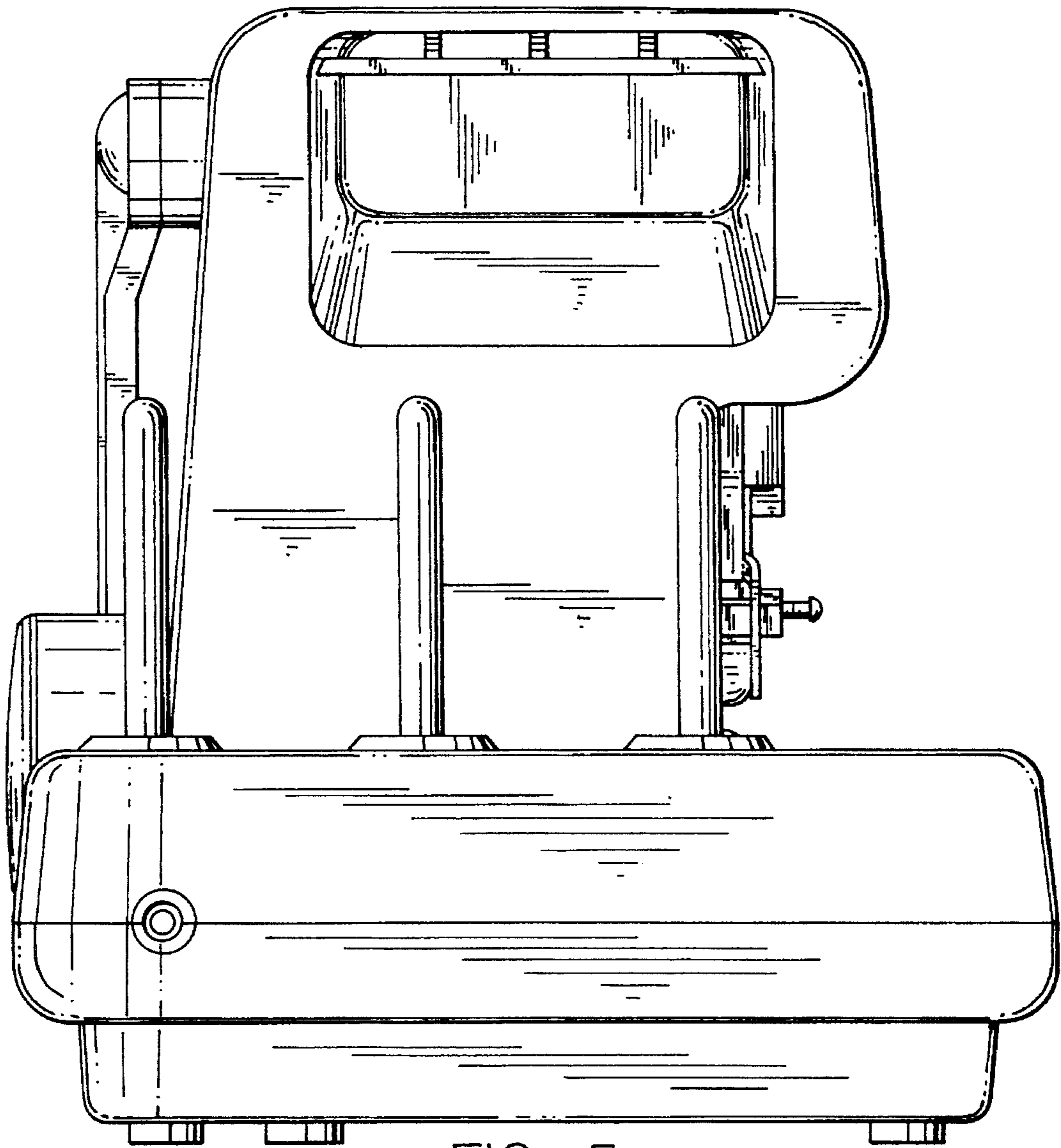


FIG. 5

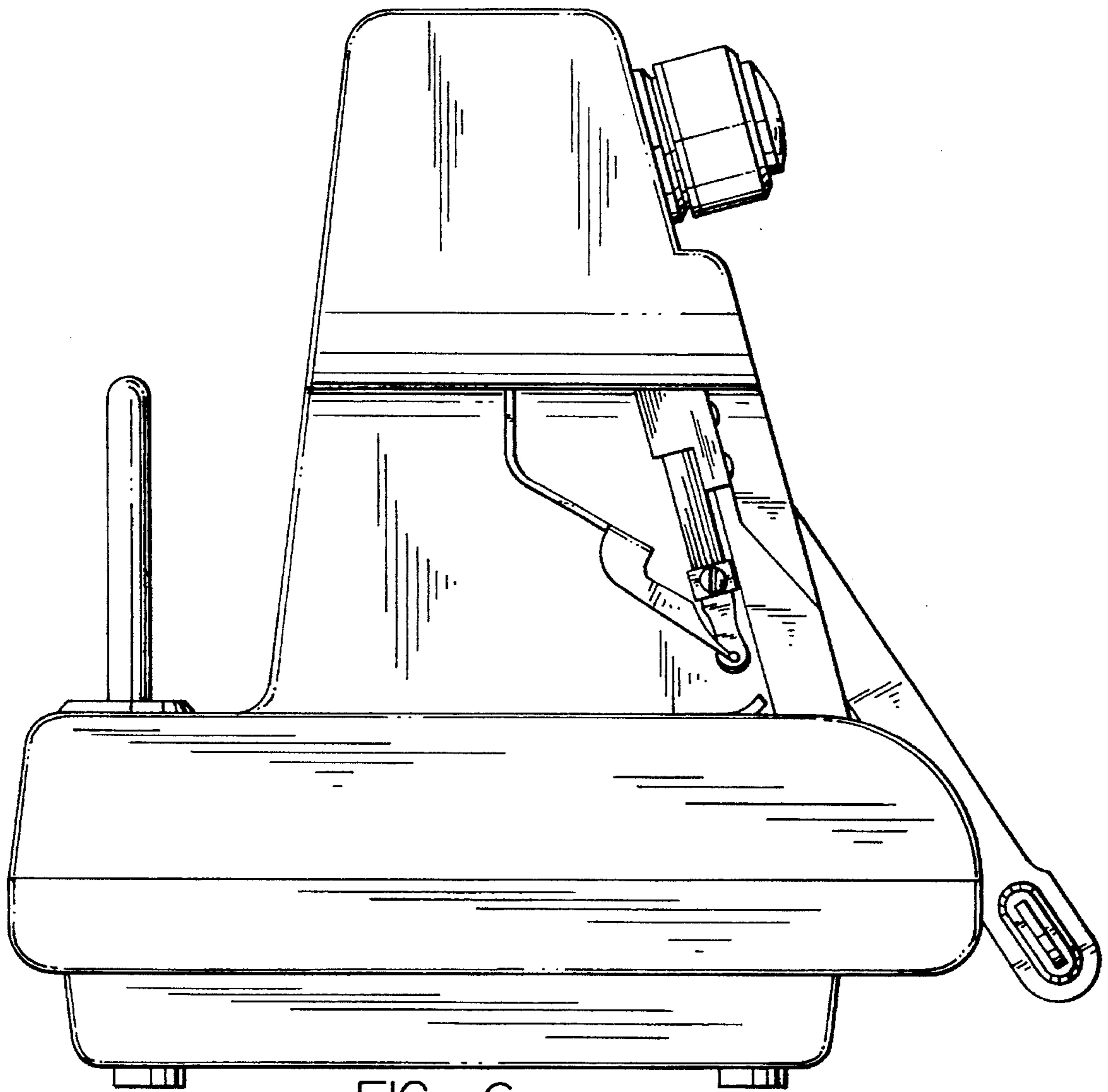


FIG. 6

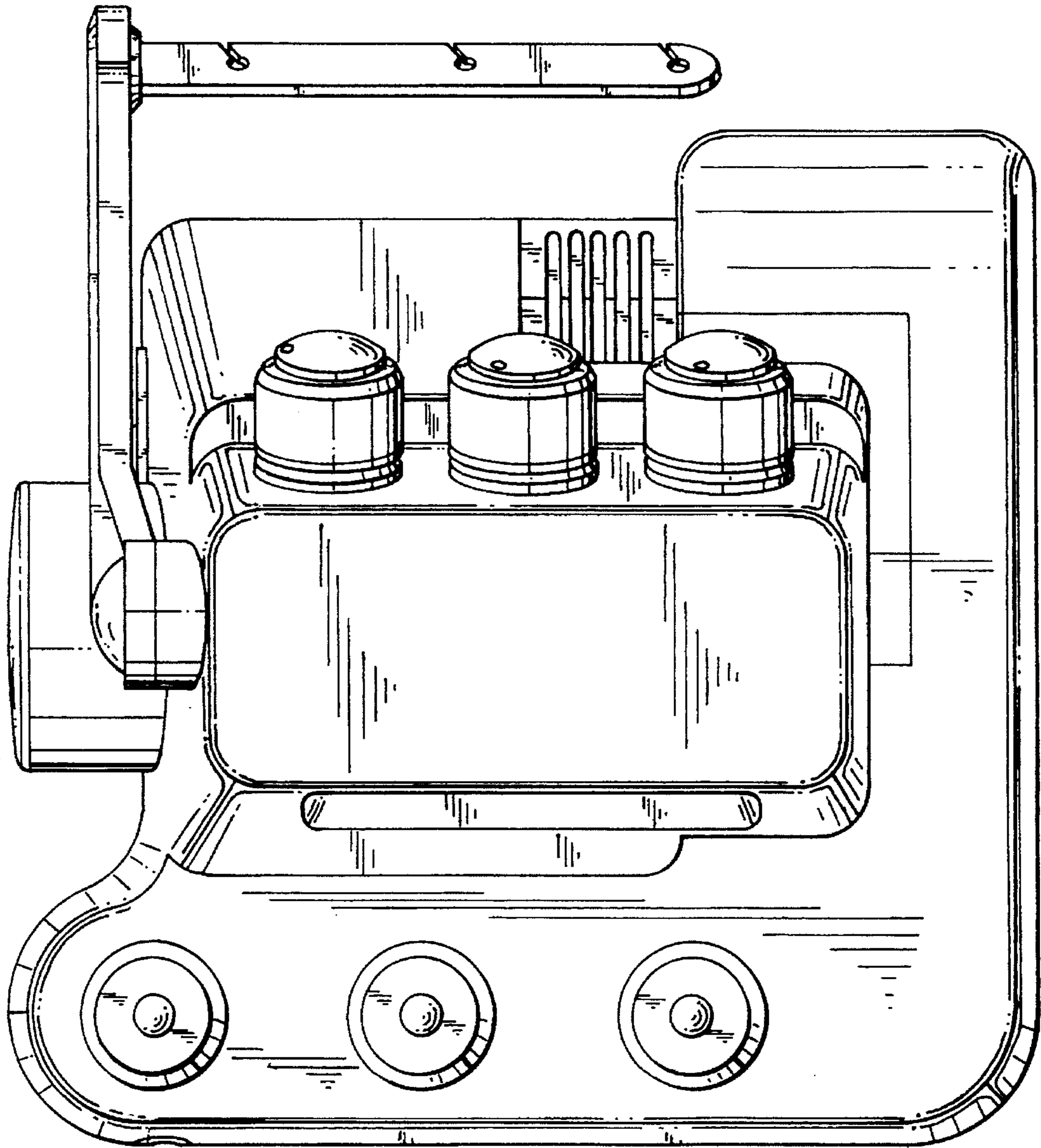


FIG. 7

UNITED STATES PATENT AND TRADEMARK OFFICE
CERTIFICATE OF CORRECTION

PATENT NO. : D376,605
DATED : December 17, 1996
INVENTOR(S) : Ming C. Chung

It is certified that error appears in the above-identified patent and that said Letters Patent is hereby corrected as shown below:

On the title page: Item [73]

Assignee:

Please delete "Netherlands" and substitute
--Netherlands Antilles--.

Signed and Sealed this
Nineteenth Day of August, 1997

Attest:



BRUCE LEHMAN

Attesting Officer

Commissioner of Patents and Trademarks