



US00D376603S

# United States Patent [19]

[11] **Patent Number: Des. 376,603**

**Iida**

[45] **Date of Patent: \*\*Dec. 17, 1996**

[54] **AIR CYLINDER**

D. 303,393 9/1989 Stoll ..... D15/7  
D. 334,198 3/1993 Dizawa ..... D15/7

[75] Inventor: **Kenji Iida**, Yawara-mura, Japan

*Primary Examiner*—Ralf Seifert

[73] Assignee: **SMC Corporation**, Tokyo, Japan

*Attorney, Agent, or Firm*—Oblon, Spivak, McClelland, Maier & Neustadt, P.C.

[\*\*] Term: **14 Years**

### [57] CLAIM

[21] Appl. No.: **47,203**

The ornamental design for an air cylinder, as shown and described.

[22] Filed: **Nov. 29, 1995**

### DESCRIPTION

#### Related U.S. Application Data

[62] Division of Ser. No. 21,029, Apr. 7, 1994, Pat. No. Des. 369,610.

FIG. 1 is a top, front and right side perspective view of an air cylinder thereof showing my new design;  
FIG. 2 is a front elevational view thereof;  
FIG. 3 is a rear elevational view thereof;  
FIG. 4 is a top plan view thereof;  
FIG. 5 is a bottom view thereof;  
FIG. 6 is a left side view thereof;  
FIG. 7 is a right side view thereof;  
FIG. 8 is a front elevational view thereof showing the rods in an extended state;  
FIG. 9 is a sectional view taken along line 9—9 of FIG. 4; and,  
FIG. 10 is a sectional view taken along line 10—10 of FIG. 2.

#### [30] Foreign Application Priority Data

Oct. 7, 1993 [JP] Japan ..... 5-30486  
Oct. 7, 1993 [JP] Japan ..... 5-30487

[52] **U.S. Cl.** ..... **D15/7**

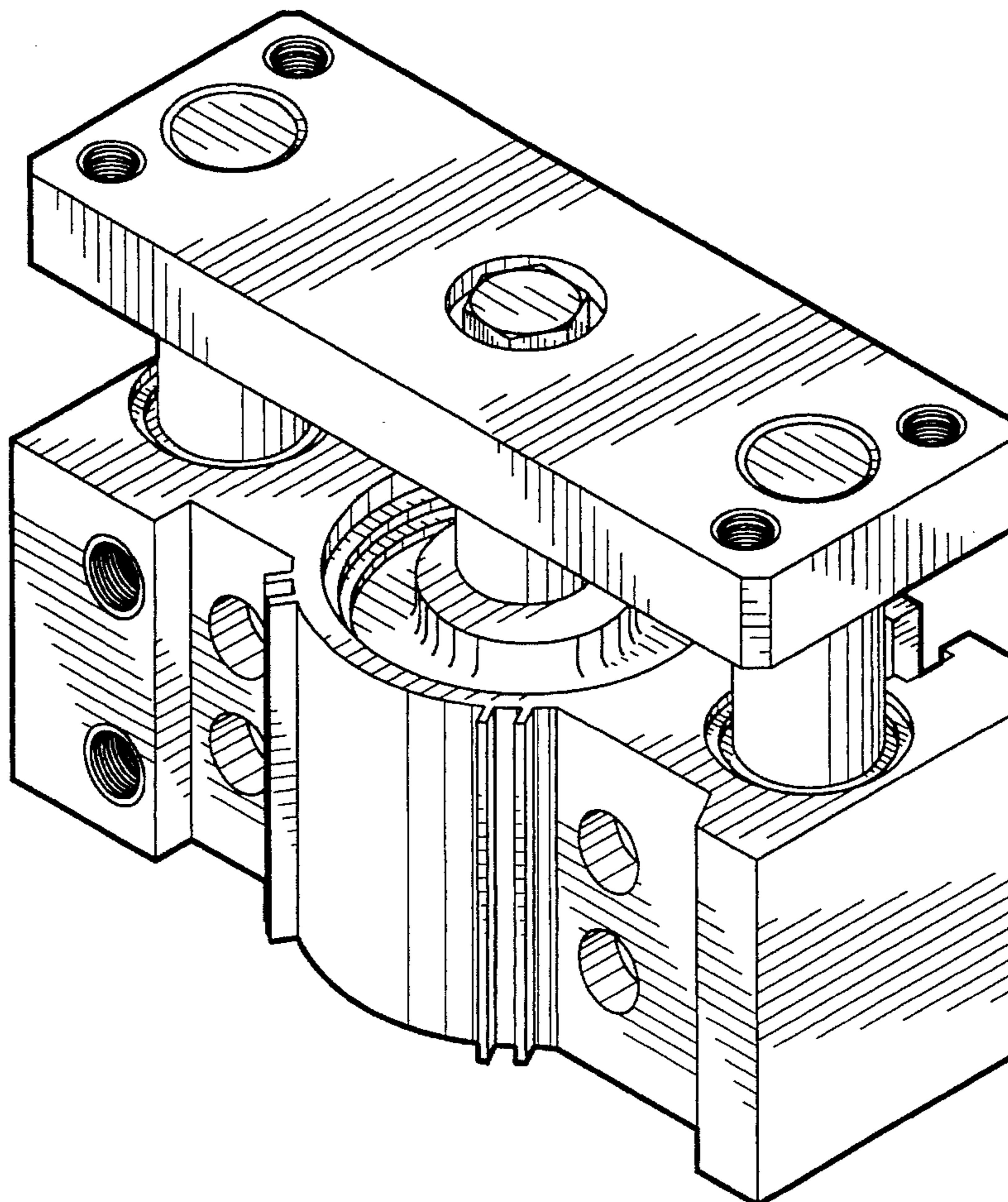
[58] **Field of Search** ..... D15/5-9; 417/403, 417/404, 437, 460; 91/275; 92/5

#### [56] References Cited

##### U.S. PATENT DOCUMENTS

D. 295,046 4/1980 Odell ..... D15/7  
D. 295,753 5/1988 La Bair ..... D15/7

**1 Claim, 4 Drawing Sheets**



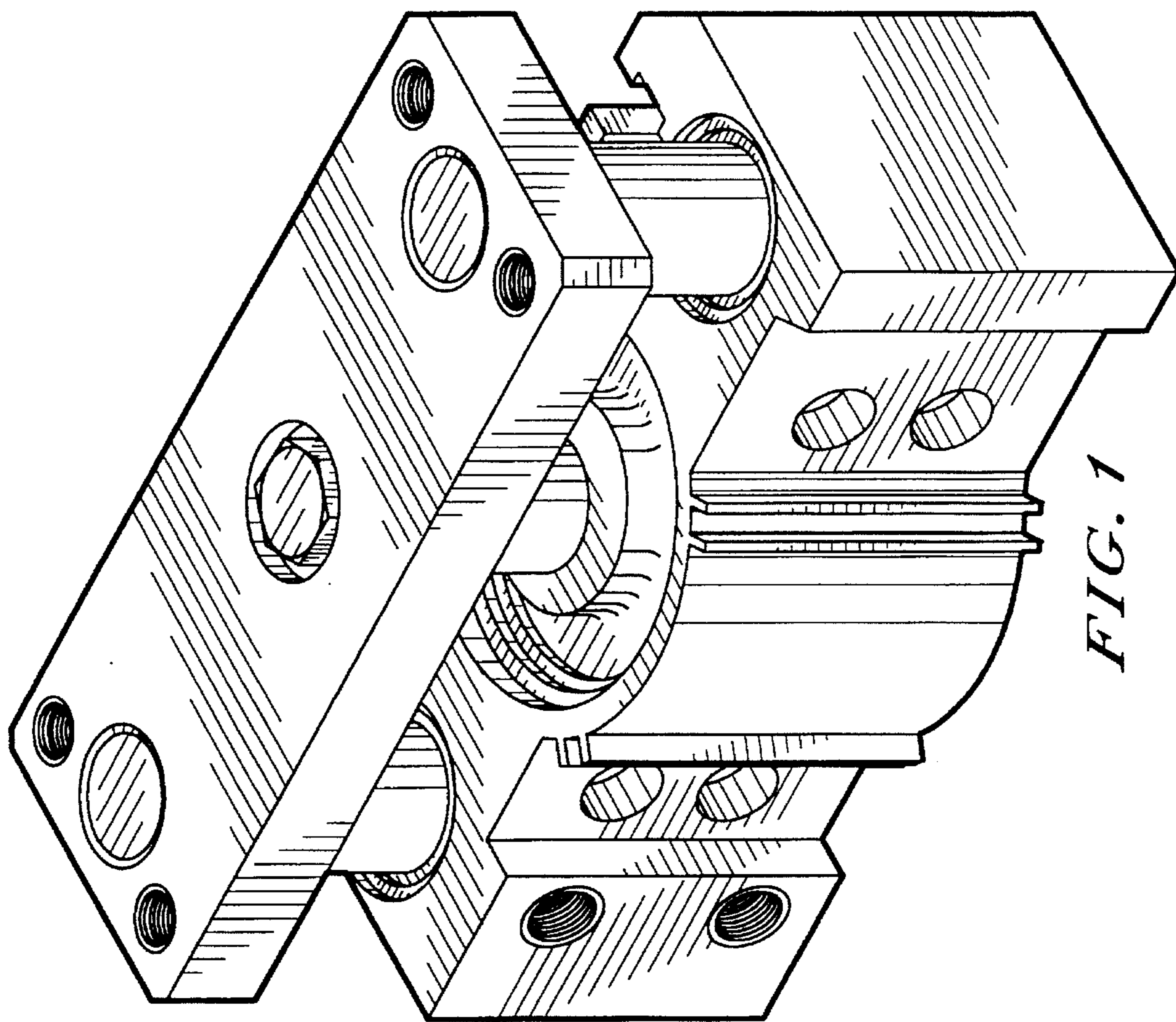


FIG. 2

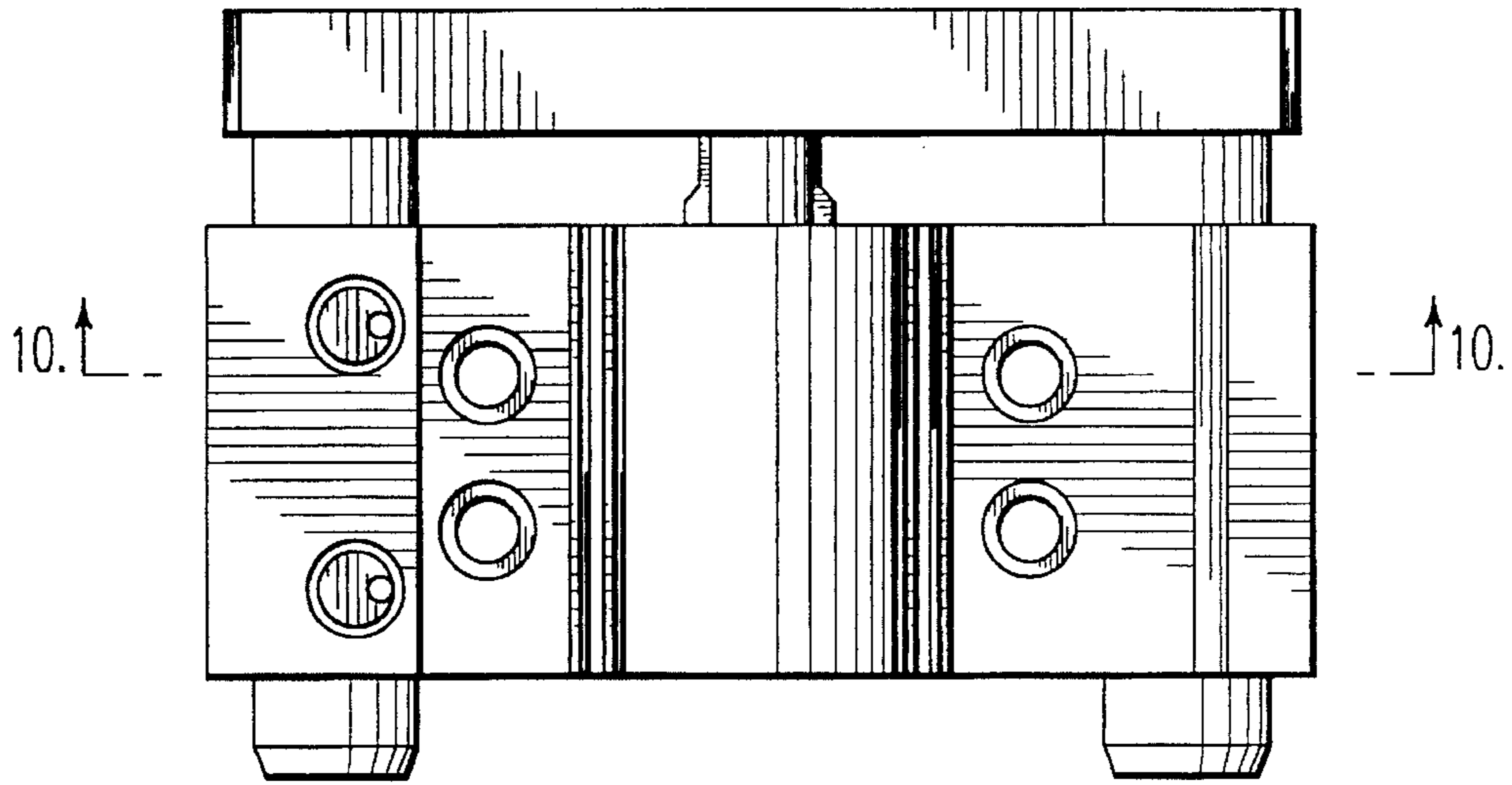


FIG. 3

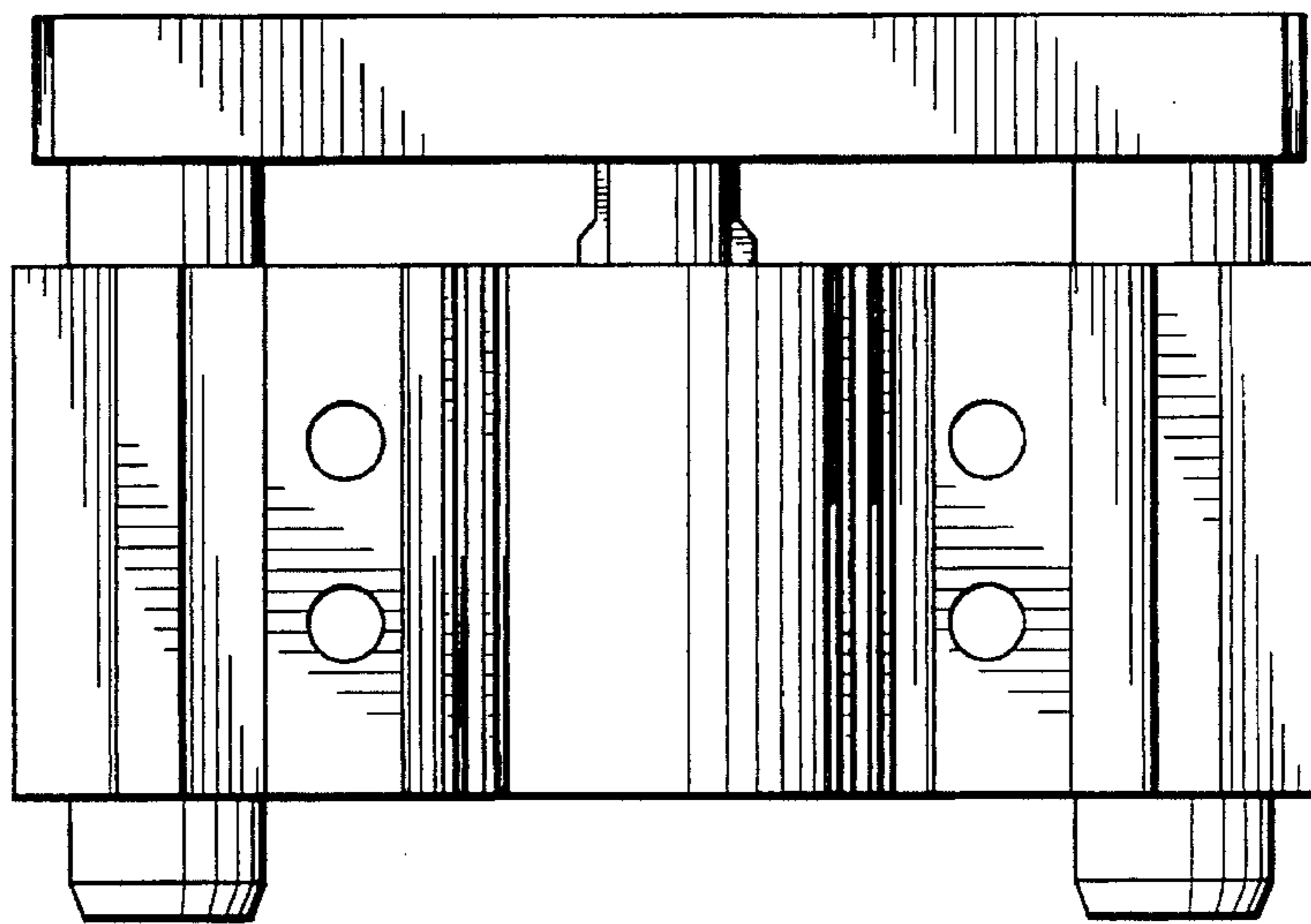
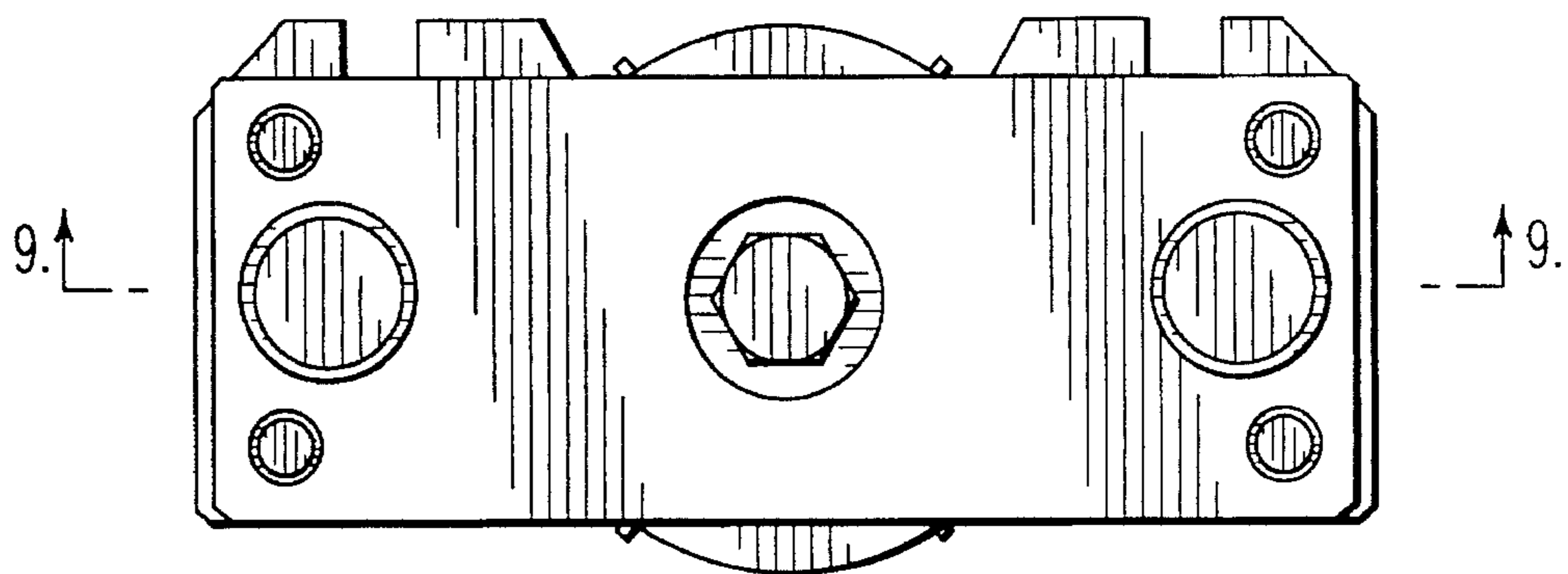
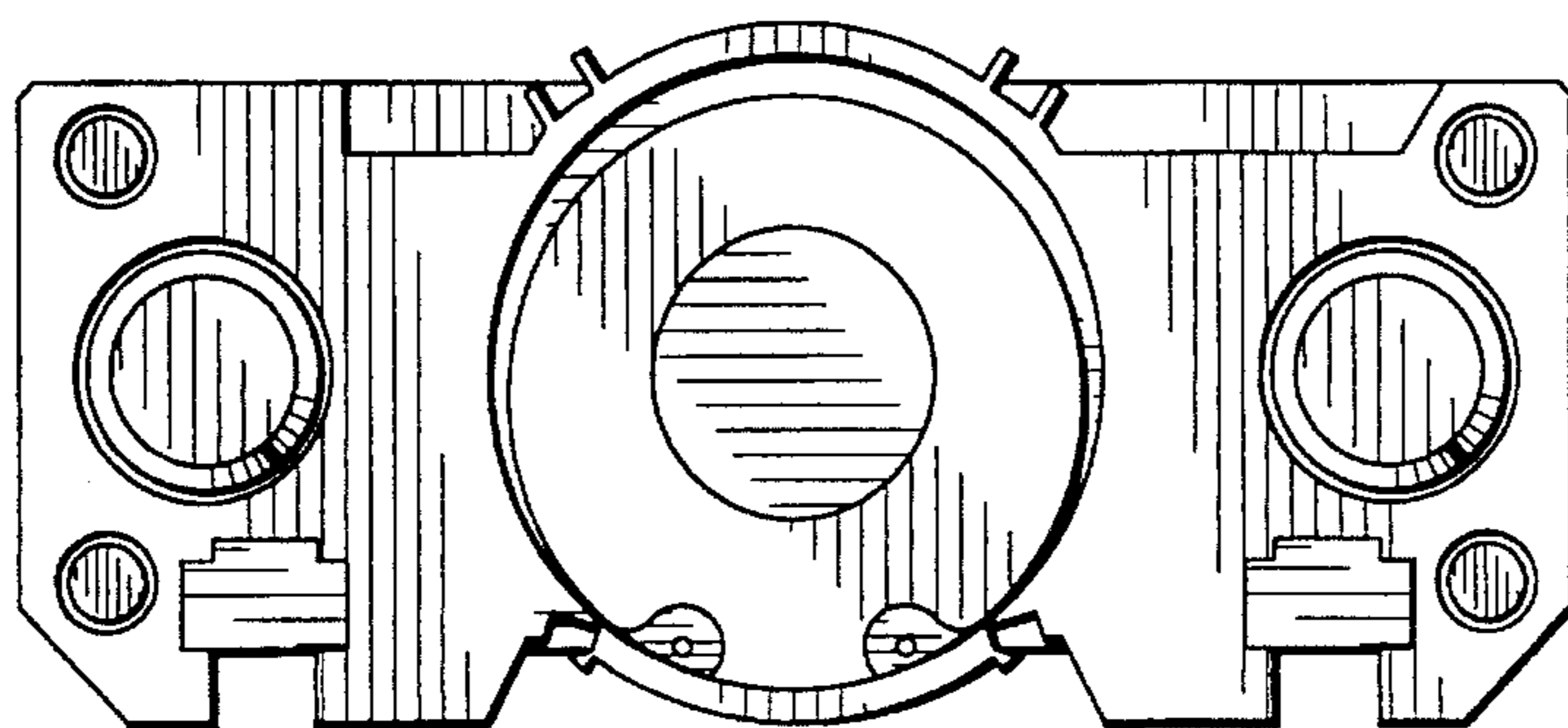


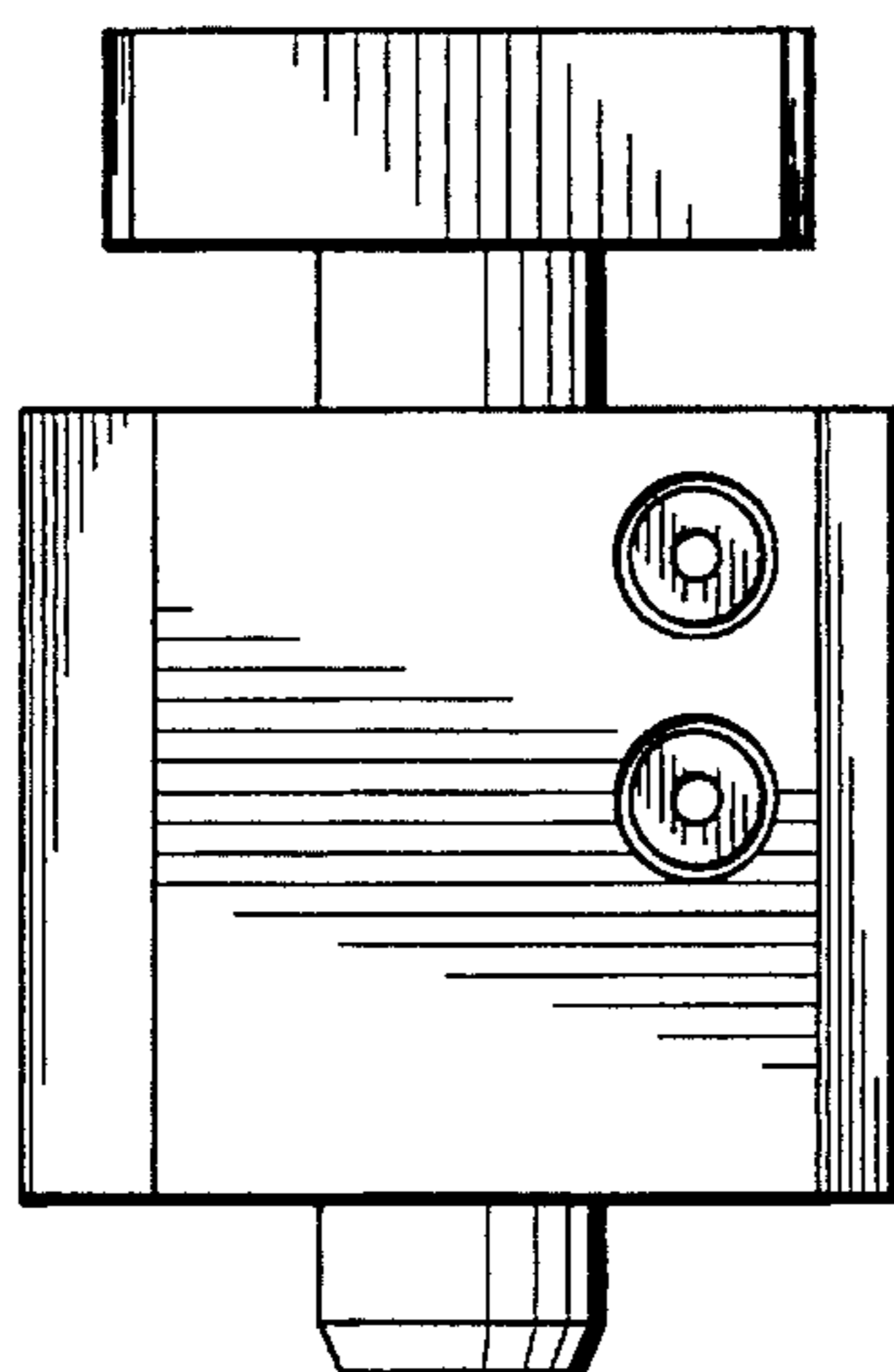
FIG. 4



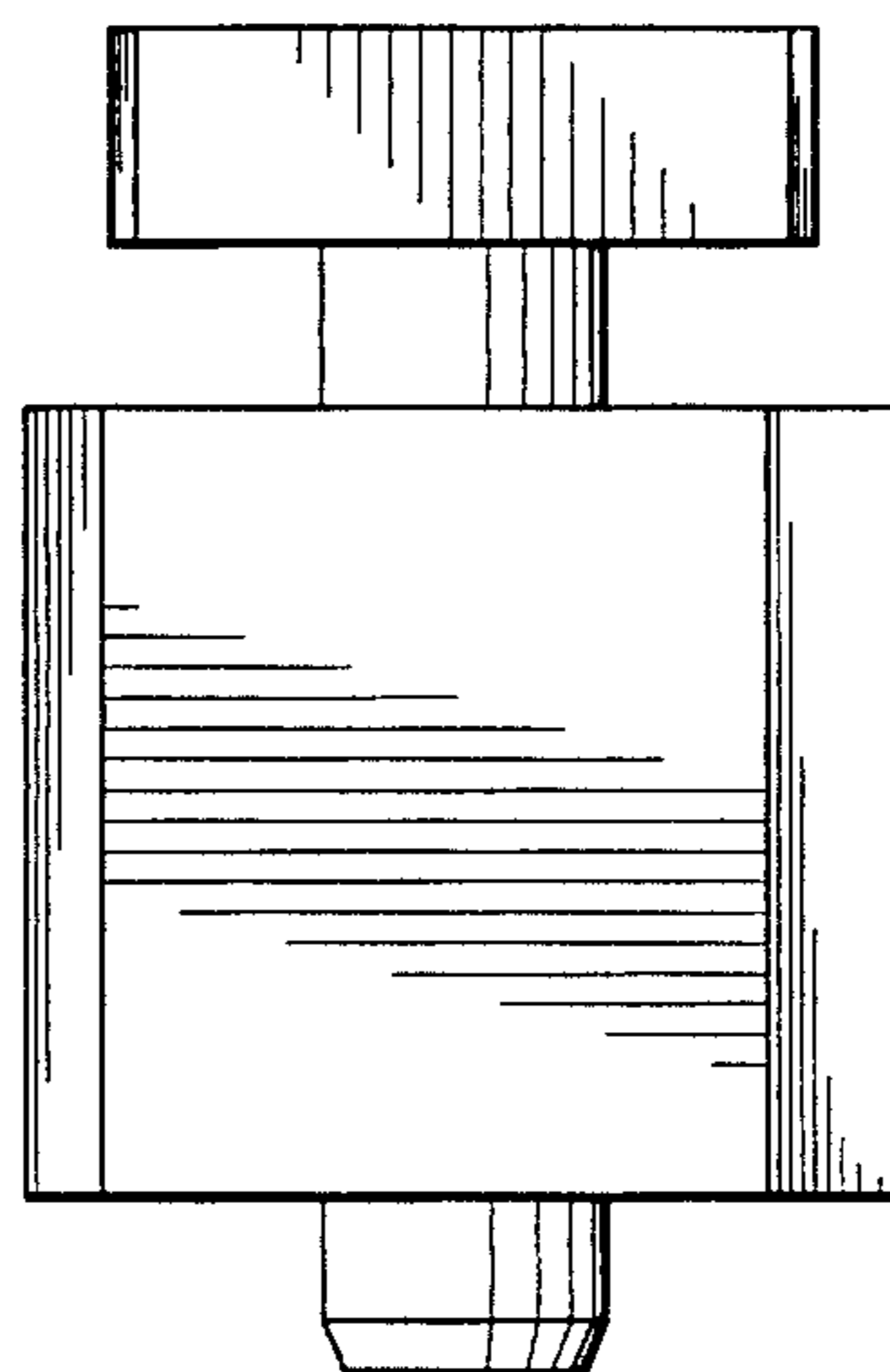


*FIG. 5*

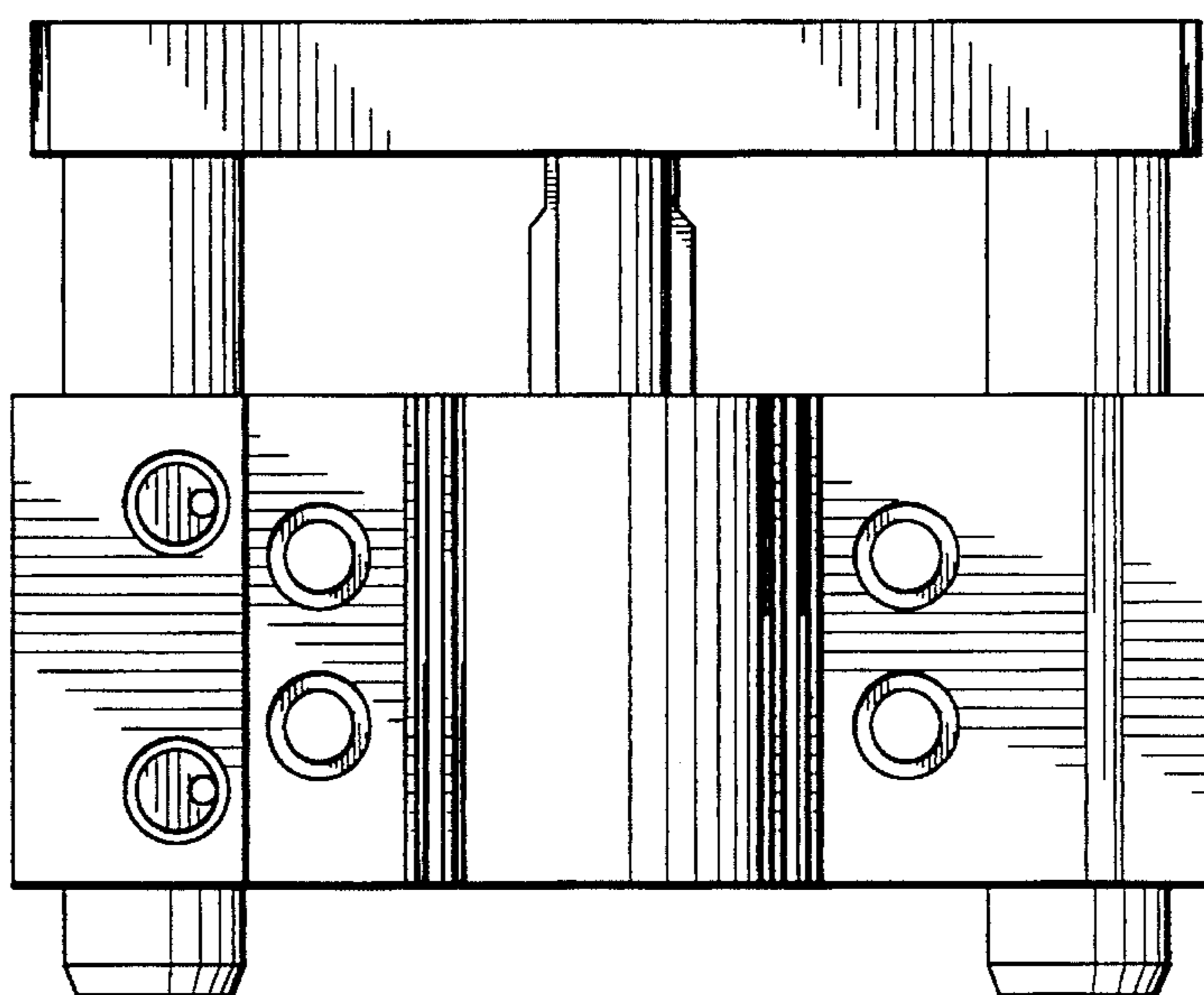
*FIG. 6*



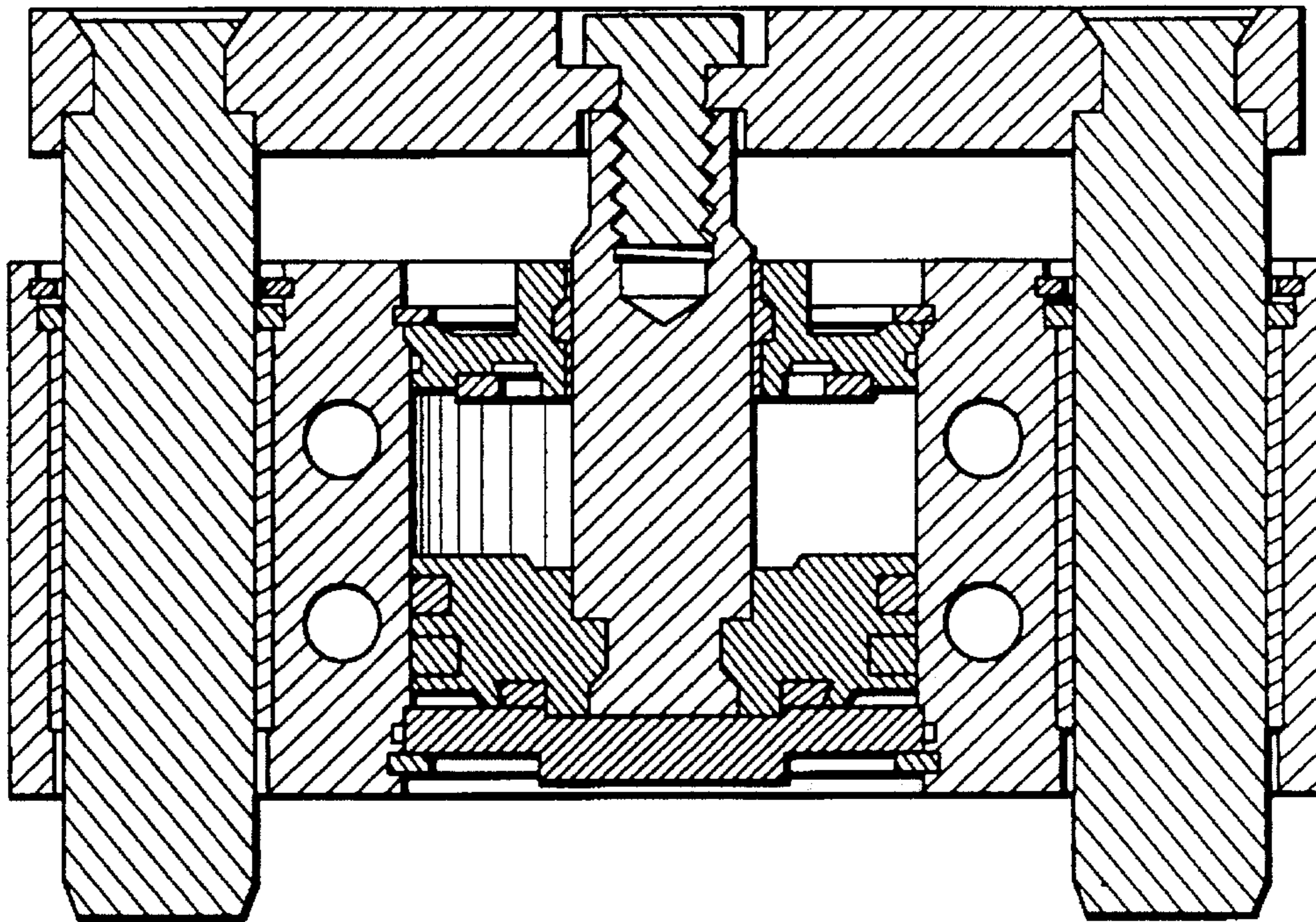
*FIG. 7*



*FIG. 8*



*FIG. 9*



*FIG. 10*

