



US00D376601S

United States Patent [19]

[11] Patent Number: **Des. 376,601**

Wooldridge

[45] Date of Patent: ****Dec. 17, 1996**

[54] **COMPONENT TELEPHONE AUTODIALER
HAVING A GRAPHIC USER INTERFACE**

[76] Inventor: **Clarence L. Wooldridge**, 105 Acorn
Dr., Rustburg, Va. 24588

[**] Term: **14 Years**

[21] Appl. No.: **47,234**

[22] Filed: **Nov. 29, 1995**

[52] U.S. Cl. **D14/245**

[58] Field of Search D14/137, 138,
D14/147-151, 140, 142, 240, 241, 245,
244; 379/419, 420, 428, 440, 434-436,
441-442, 37, 40

[56] **References Cited**

U.S. PATENT DOCUMENTS

D. 215,674	10/1969	Arseneault	D13/164	X
D. 241,949	10/1976	Marchese	D14/241	
D. 269,269	6/1983	Ko	D14/66	
D. 271,394	11/1983	Brown et al.	D14/241	
D. 277,002	1/1985	Genaro et al.	D14/149	
D. 285,553	9/1986	Baba et al.	D14/52	
D. 289,043	3/1987	Smith	D14/66	
D. 304,587	11/1989	Danielson et al.	D14/245	
D. 308,381	6/1990	Dehnert	D14/245	
D. 308,855	6/1990	Schaum	D14/100	
D. 310,069	8/1990	Leone et al.	D14/100	
D. 348,254	6/1994	Ratzlaff	D14/100	

D. 351,382	10/1994	Kipfer et al.	D14/100	
3,781,477	12/1973	Johnannesson	179/2	TV
3,941,951	3/1976	Engstrom et al.	379/436	
4,241,238	12/1980	Strand	179/5.5	
5,267,308	11/1993	Jokinen et al.	379/354	

OTHER PUBLICATIONS

B. A. Pargh Catalog 1992 Spring/Summer p. 322 Big Button Telephone.

Primary Examiner—Jeffrey Asck
Attorney, Agent, or Firm—Raymond L. Greene, Esq.

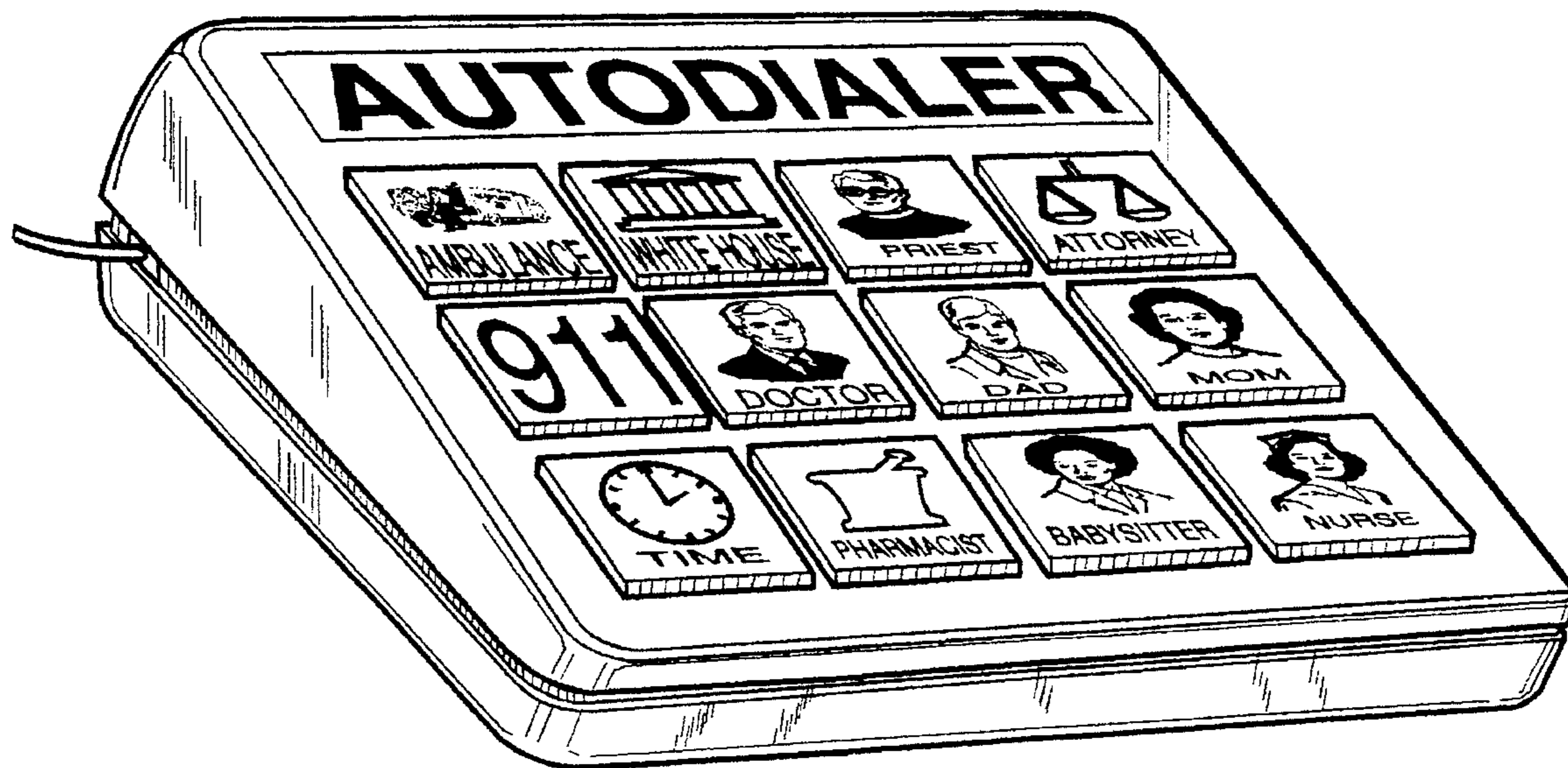
[57] **CLAIM**

The ornamental design for a component telephone autodialer, having a graphic user interface, as shown and described.

DESCRIPTION

FIG. 1 is a perspective view of an component telephone autodialer having a graphic user interface showing my new design;
FIG. 2 is a left side elevational view thereof;
FIG. 3 is a right side elevational view thereof;
FIG. 4 is a rear elevational view thereof;
FIG. 5 is a front elevational view thereof;
FIG. 6 is a top plan view thereof; and,
FIG. 7 is a bottom plan view thereof showing foot supports.

1 Claim, 4 Drawing Sheets



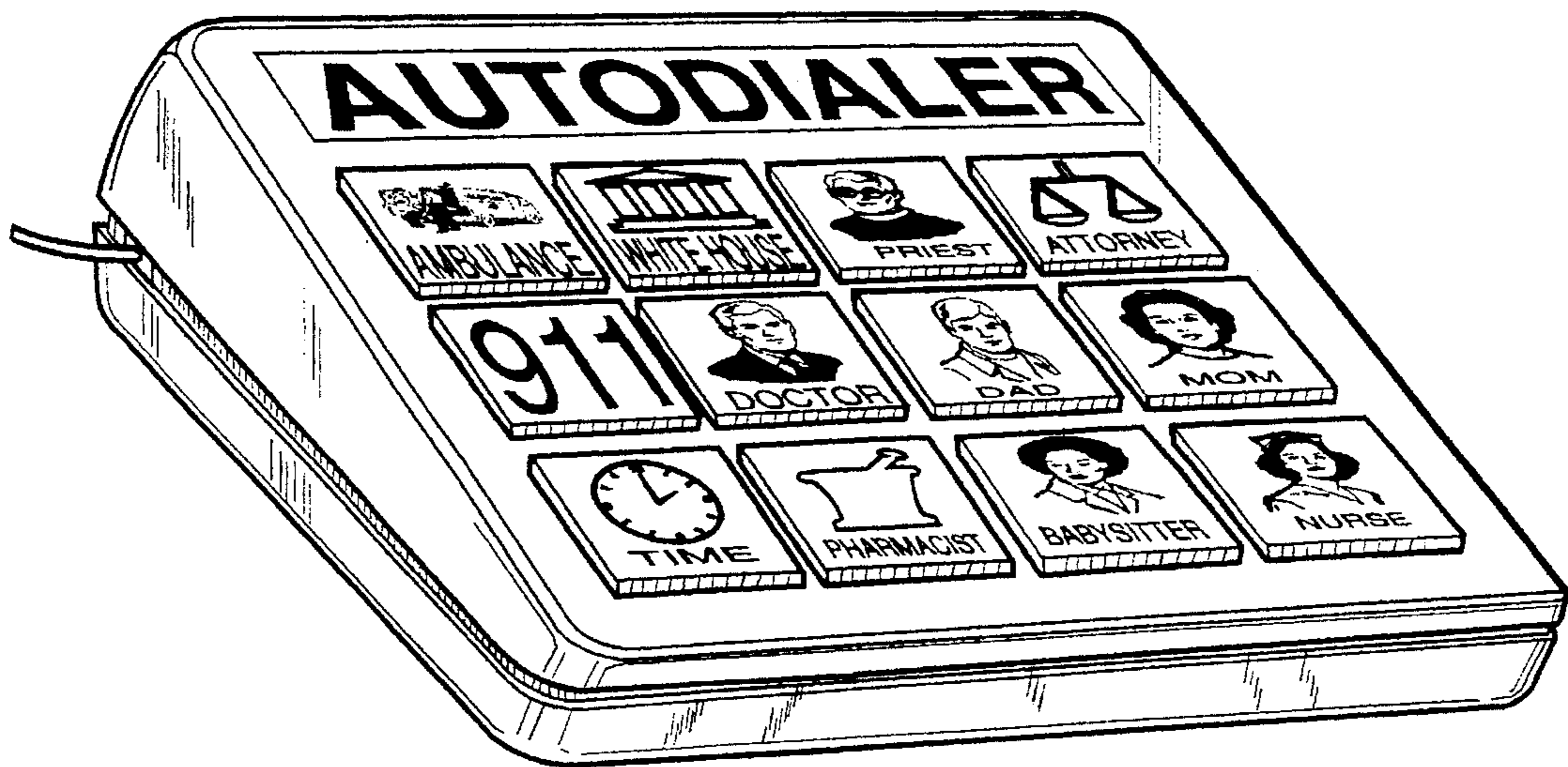


FIG. 1

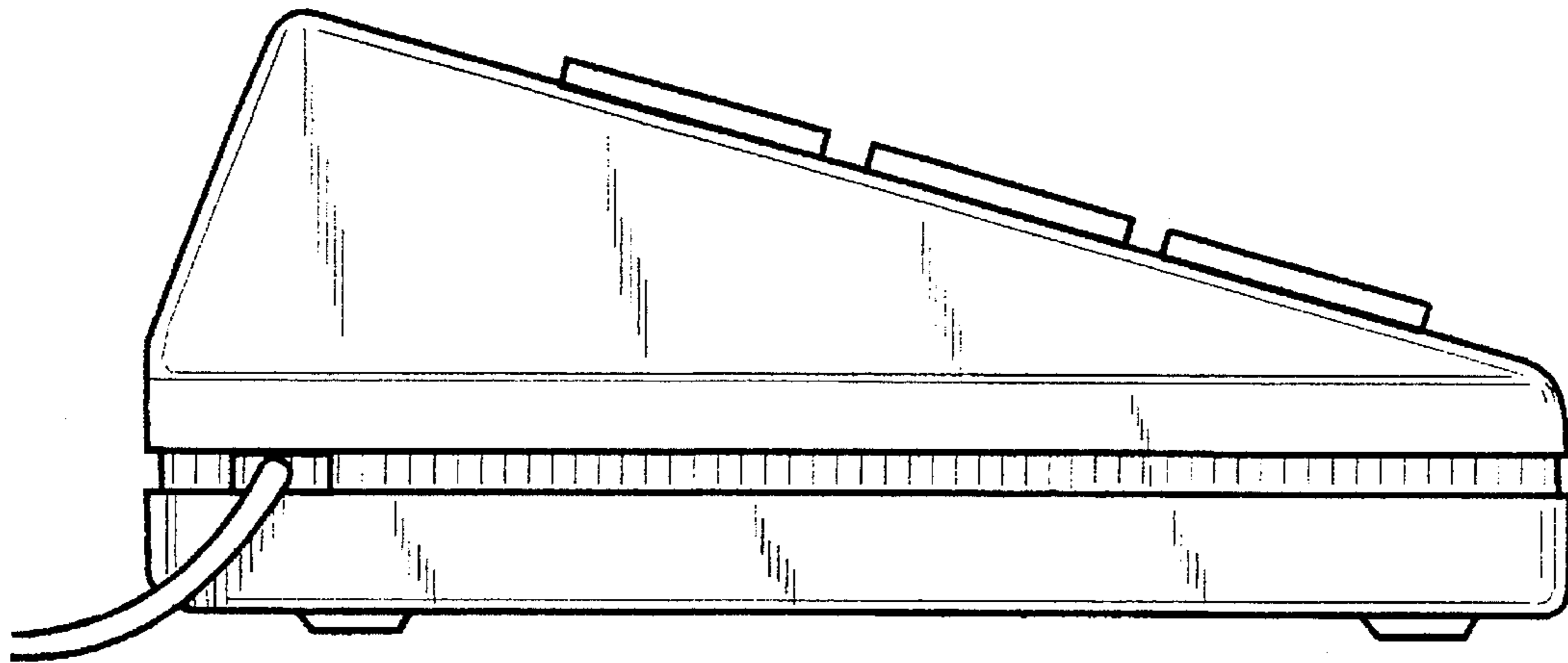


FIG. 2

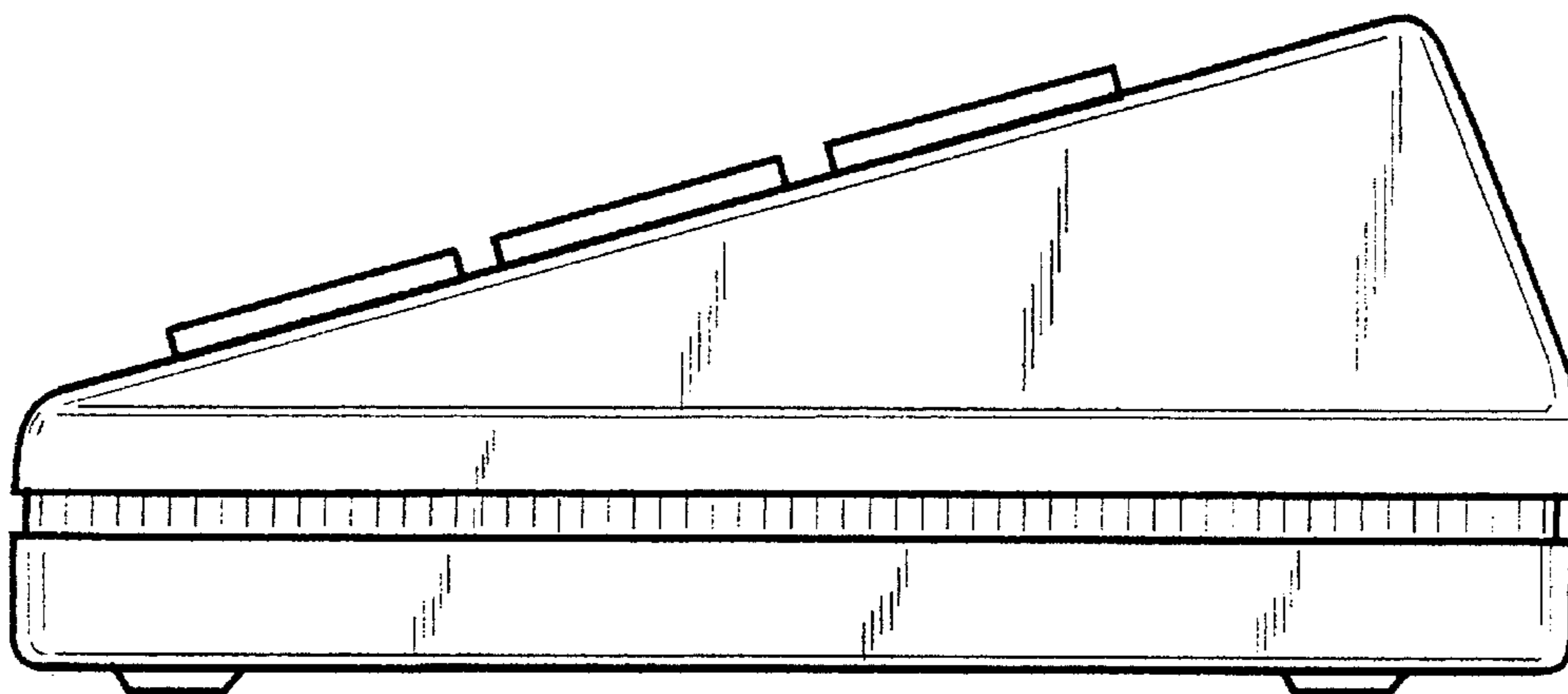


FIG. 3

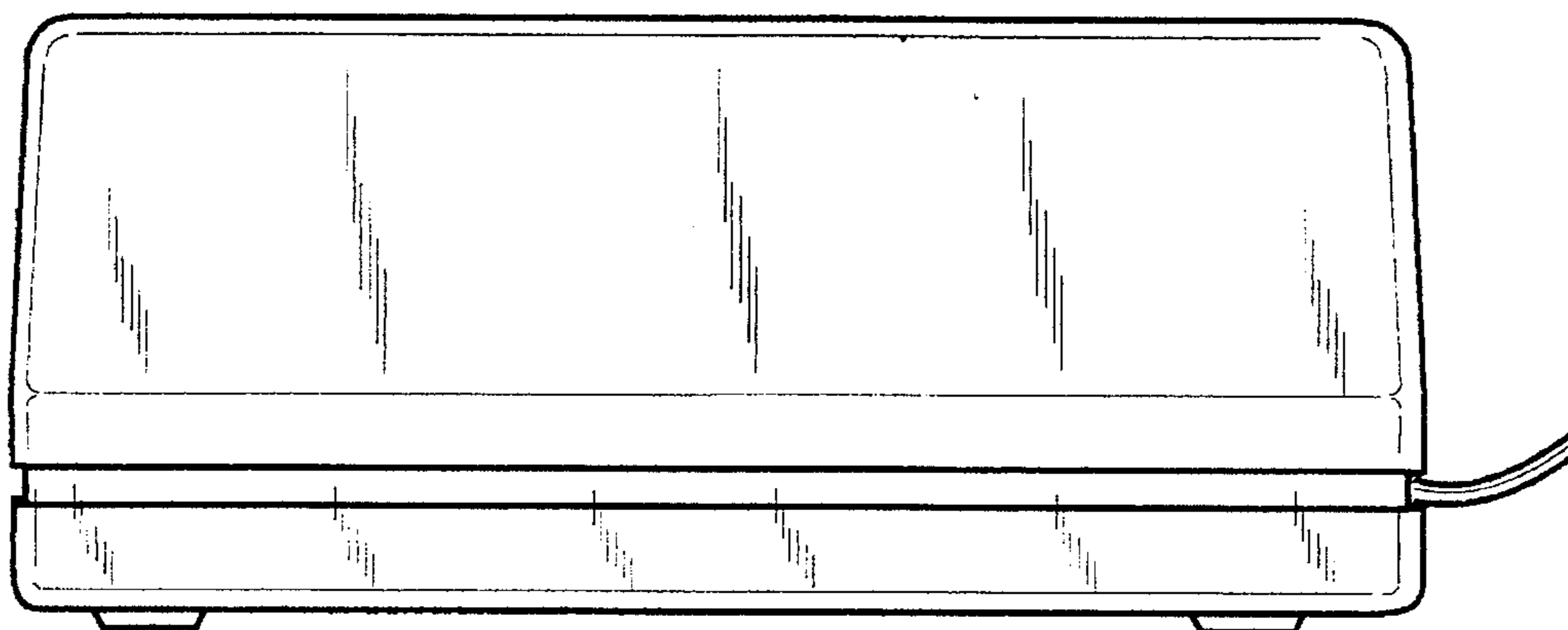


FIG. 4

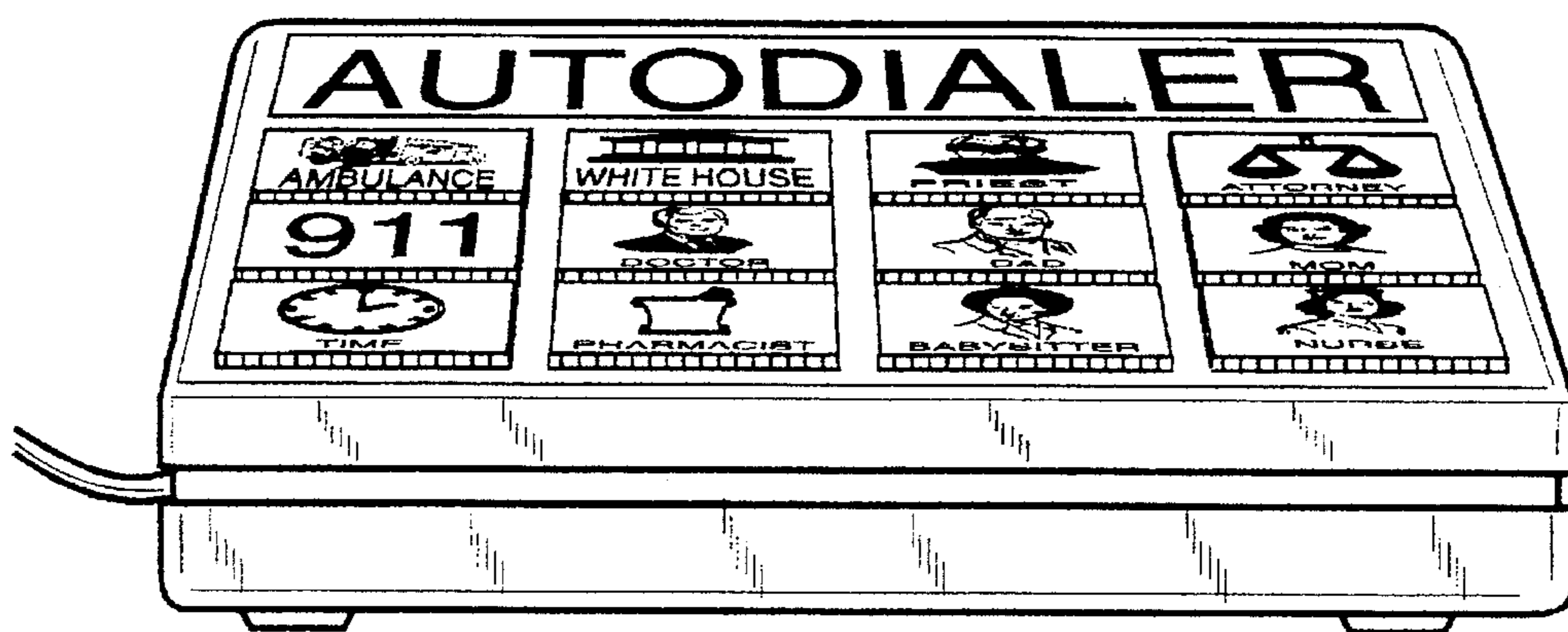


FIG. 5

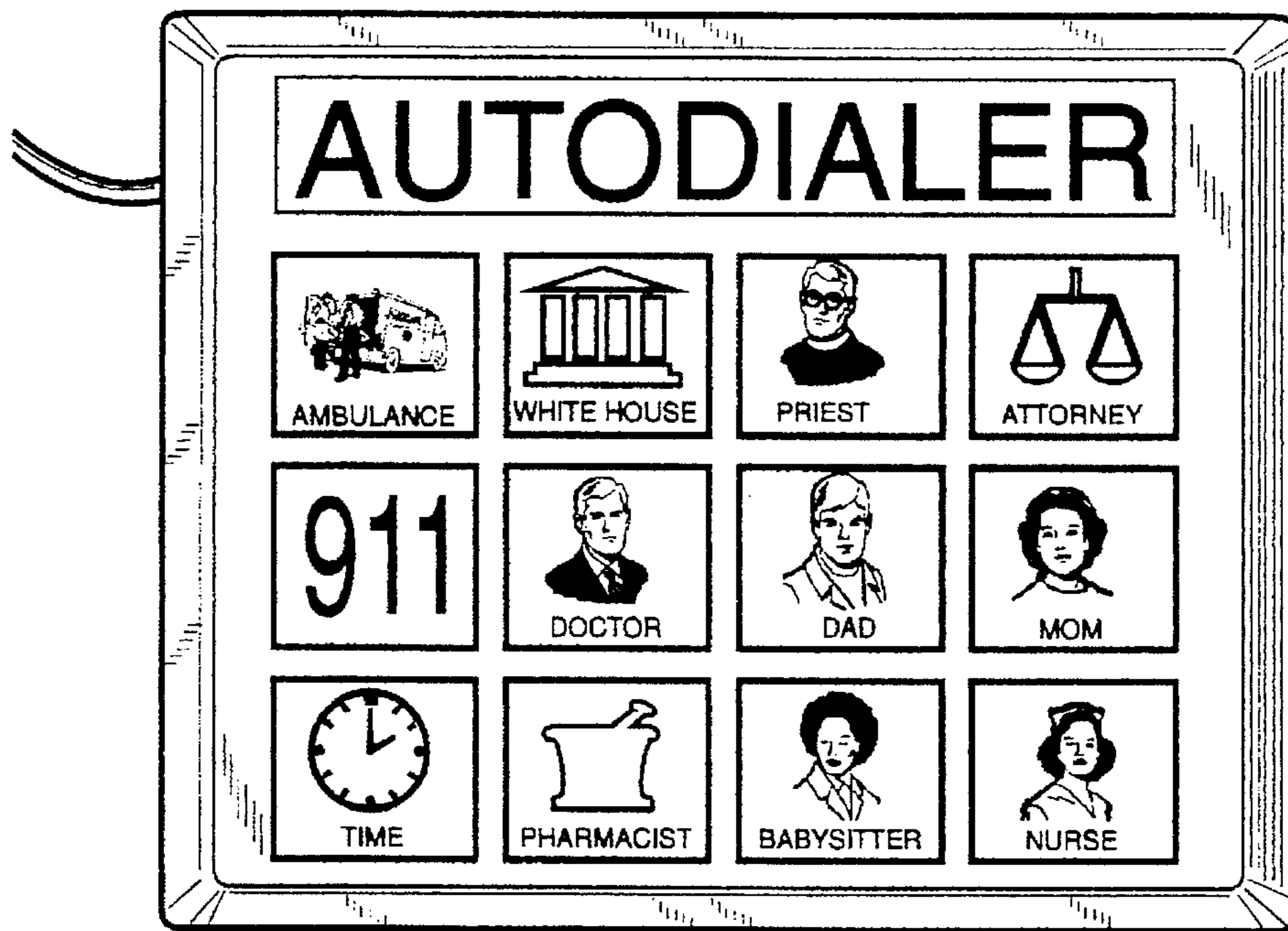


FIG. 6

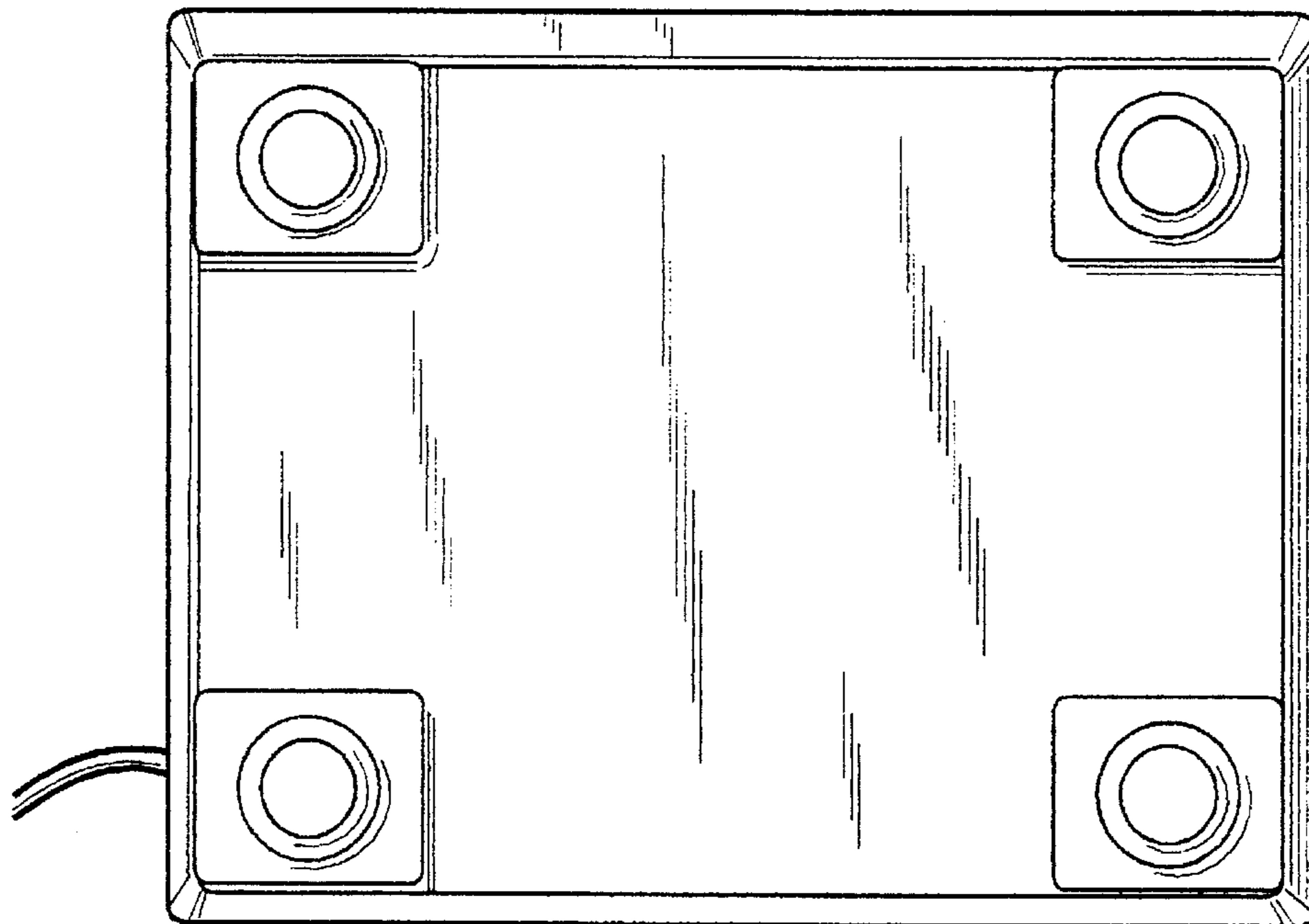


FIG. 7