



US00D376600S

United States Patent [19]

[11] Patent Number: **Des. 376,600**

Vallillee et al.

[45] Date of Patent: ****Dec. 17, 1996**

[54] **TELECOMMUNICATIONS UNIT**

[75] Inventors: **George W. Vallillee**, Kentwood; **James F. MacKay**, Grand Rapids, both of Mich.

[73] Assignee: **Datalogic Corporation**, Grand Rapids, Mich.

[**] Term: **14 Years**

[21] Appl. No.: **45,356**

[22] Filed: **Oct. 18, 1995**

[52] U.S. Cl. **D14/240; D14/242**

[58] Field of Search D14/107, 100, D14/114, 137, 149-151, 140, 142, 240, 241, 242, 256, 172, 218, 230, 233, 118; D10/15; 379/67, 90, 93, 419, 420, 428, 440, 441; D13/184

[56] **References Cited**

U.S. PATENT DOCUMENTS

- D. 274,056 5/1984 Myer D14/172
- D. 300,027 2/1989 Brunish D14/151 X
- D. 311,541 10/1990 Carre D14/240
- D. 318,622 7/1991 Wada D10/15
- D. 321,484 11/1991 Yu D10/15 X
- D. 327,223 6/1992 Kawashima et al. D10/15
- D. 332,291 1/1993 Thomson et al. D14/149 X

- D. 344,944 3/1994 Fontana D14/141
- D. 345,357 3/1994 Kim D14/150
- D. 345,699 4/1994 Yang D10/15 X
- D. 349,117 7/1994 Rasansky et al. D14/218
- D. 357,685 4/1995 Reardon et al. D14/242

OTHER PUBLICATIONS

Bloomington's Catalog, Item D p. 56.
Hong Kong Enterprises Oct. 1990, p. 138, Radios at top of page.

Primary Examiner—Jeffrey Asch
Attorney, Agent, or Firm—Warner Norcross & Judd

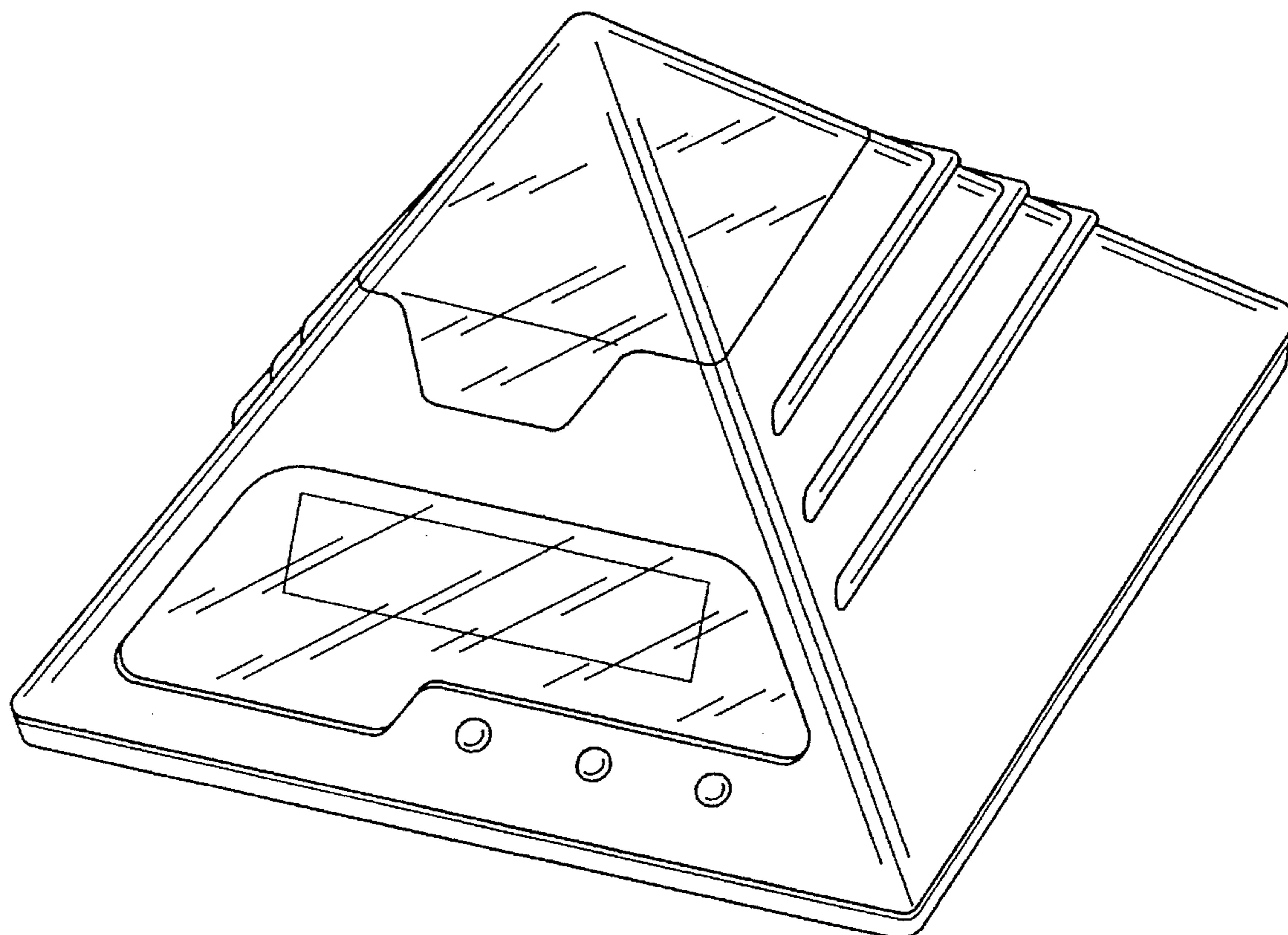
[57] **CLAIM**

The ornamental design for telecommunications unit, as shown and described.

DESCRIPTION

FIG. 1 is a perspective view showing a telecommunications unit incorporating our design;
FIG. 2 is a front elevational view thereof;
FIG. 3 is a right side elevational view thereof;
FIG. 4 is a left side elevational view thereof;
FIG. 5 is a rear elevational view thereof;
FIG. 6 is a top plan view thereof; and,
FIG. 7 is a bottom plan view thereof.

1 Claim, 4 Drawing Sheets



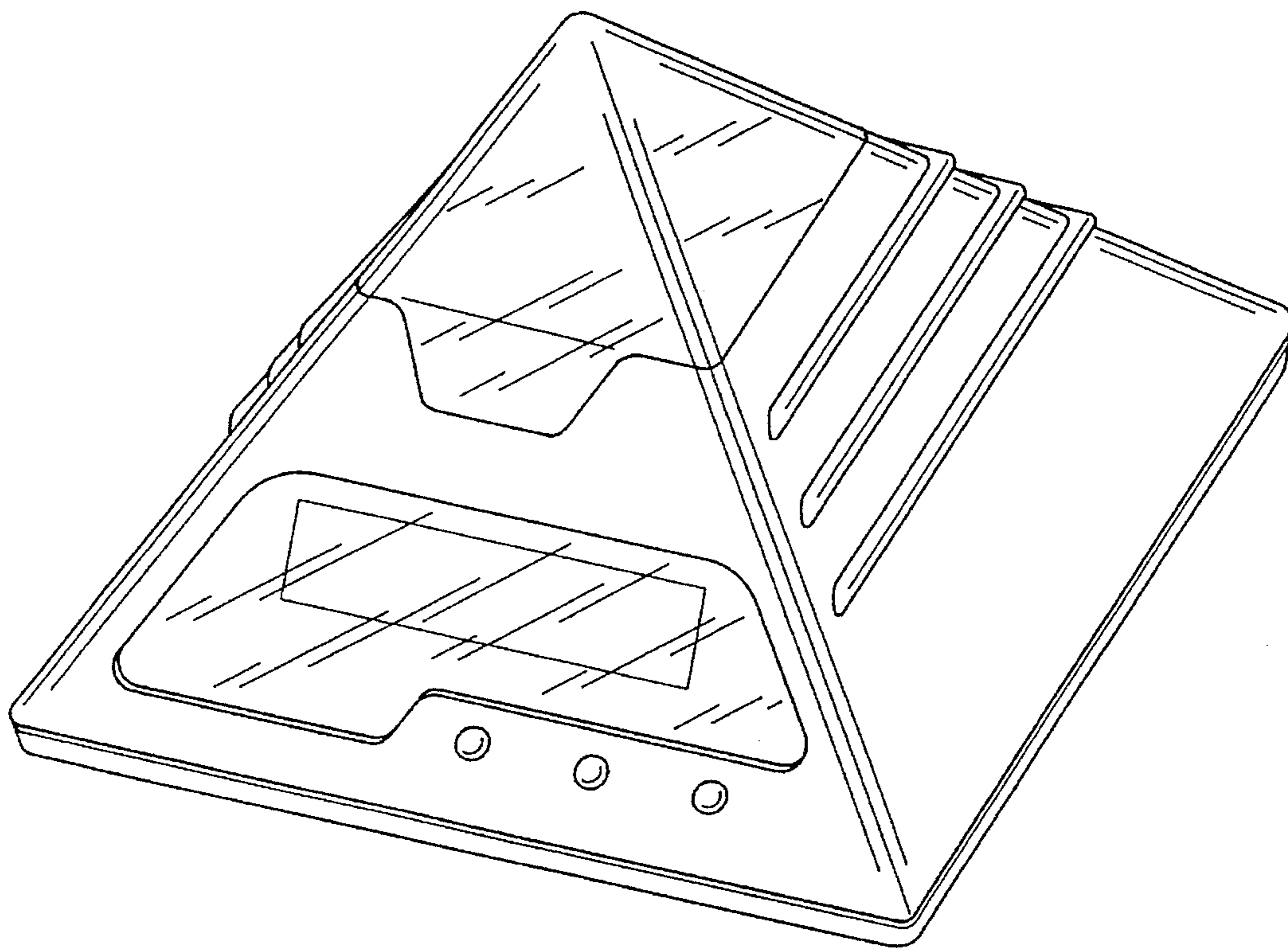


FIG. 1

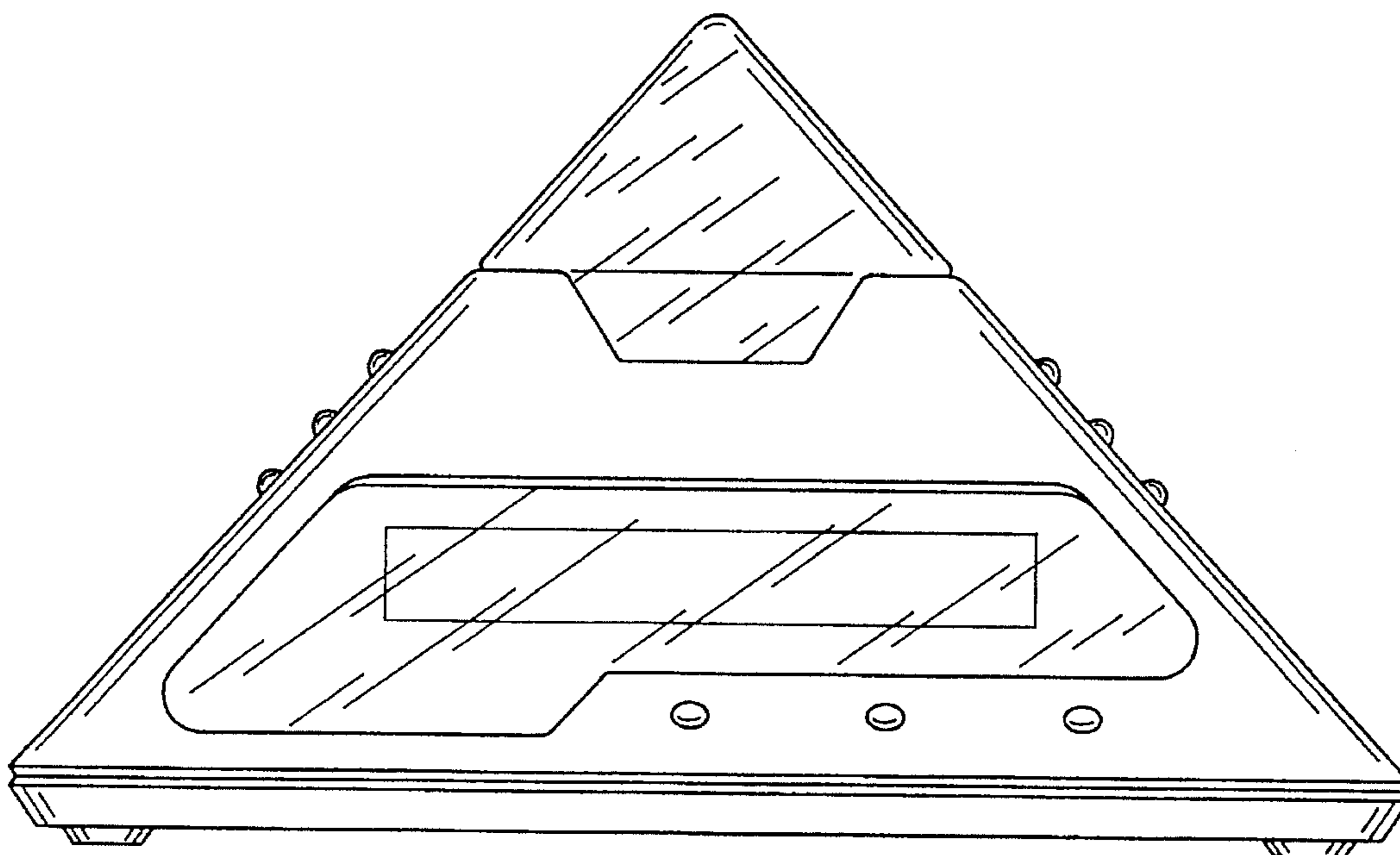


FIG. 2

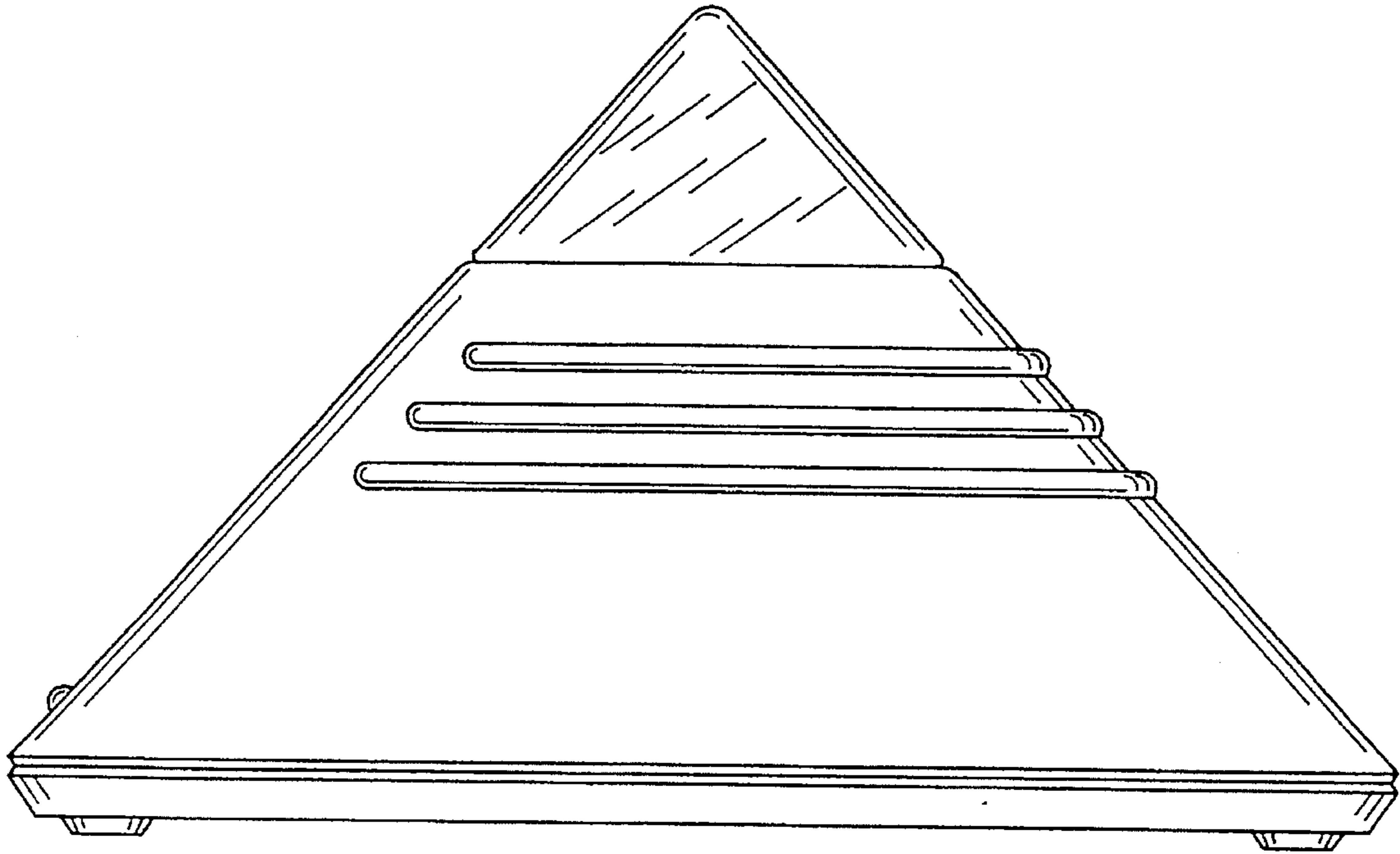


FIG. 3

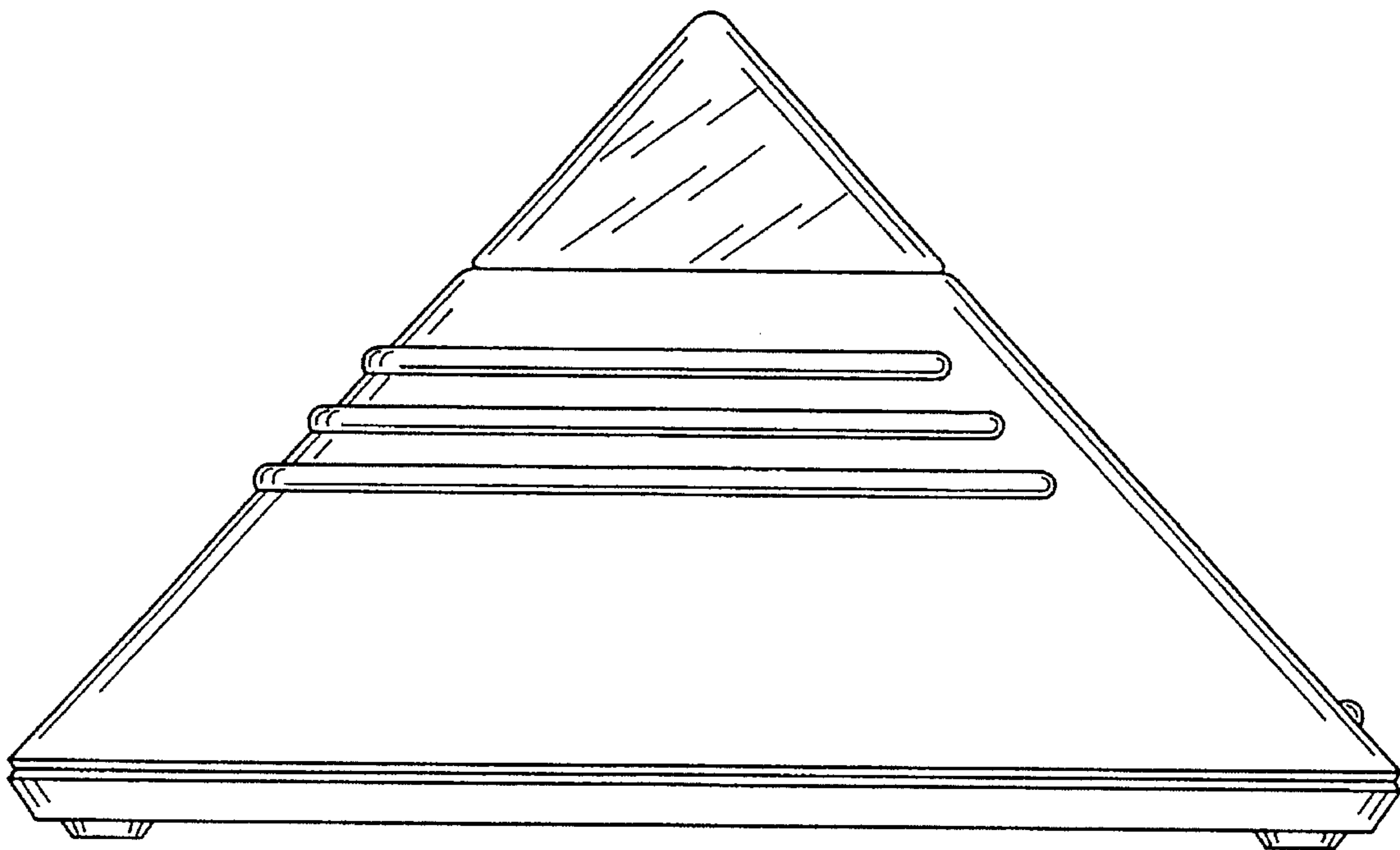


FIG. 4

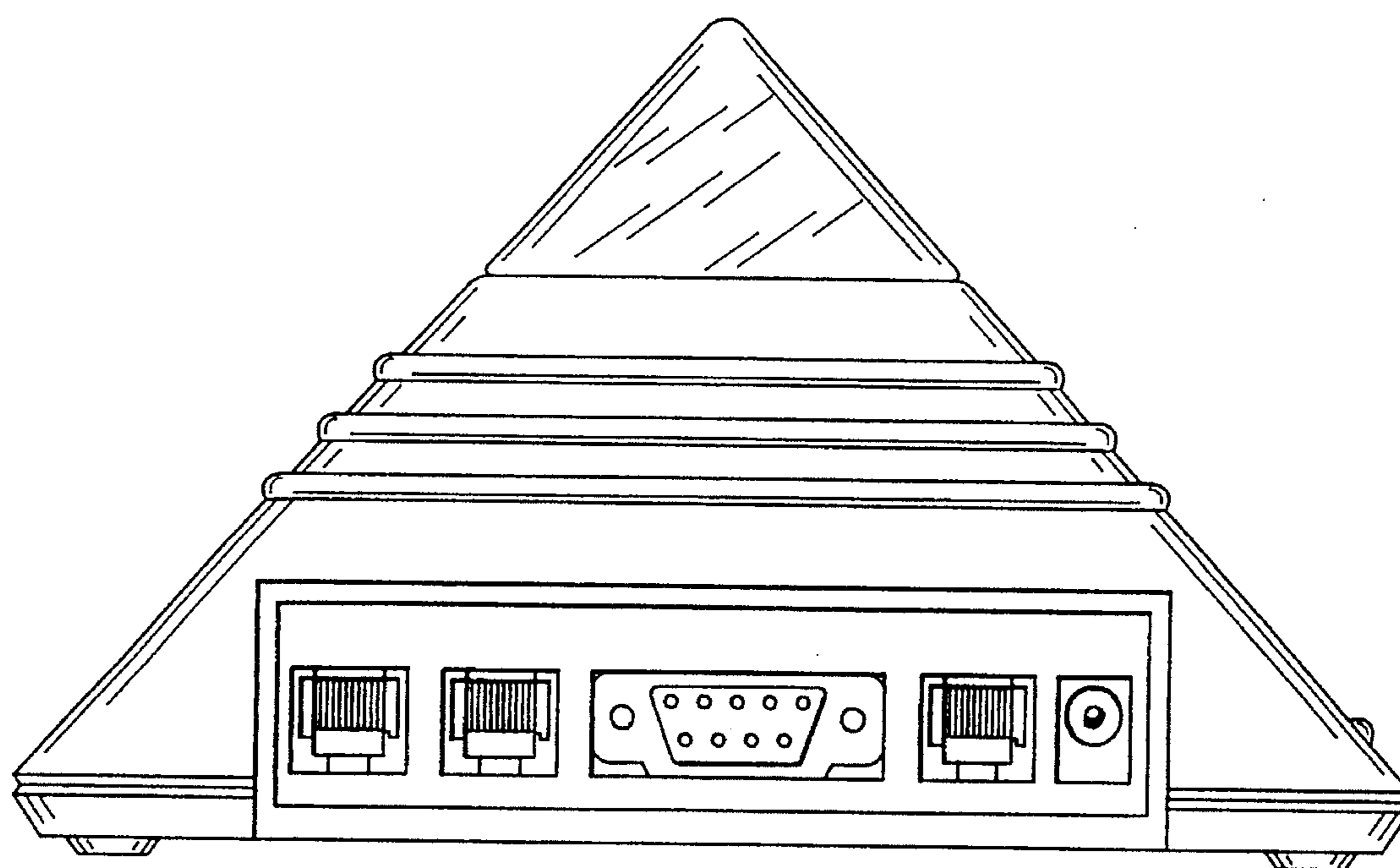


FIG. 5

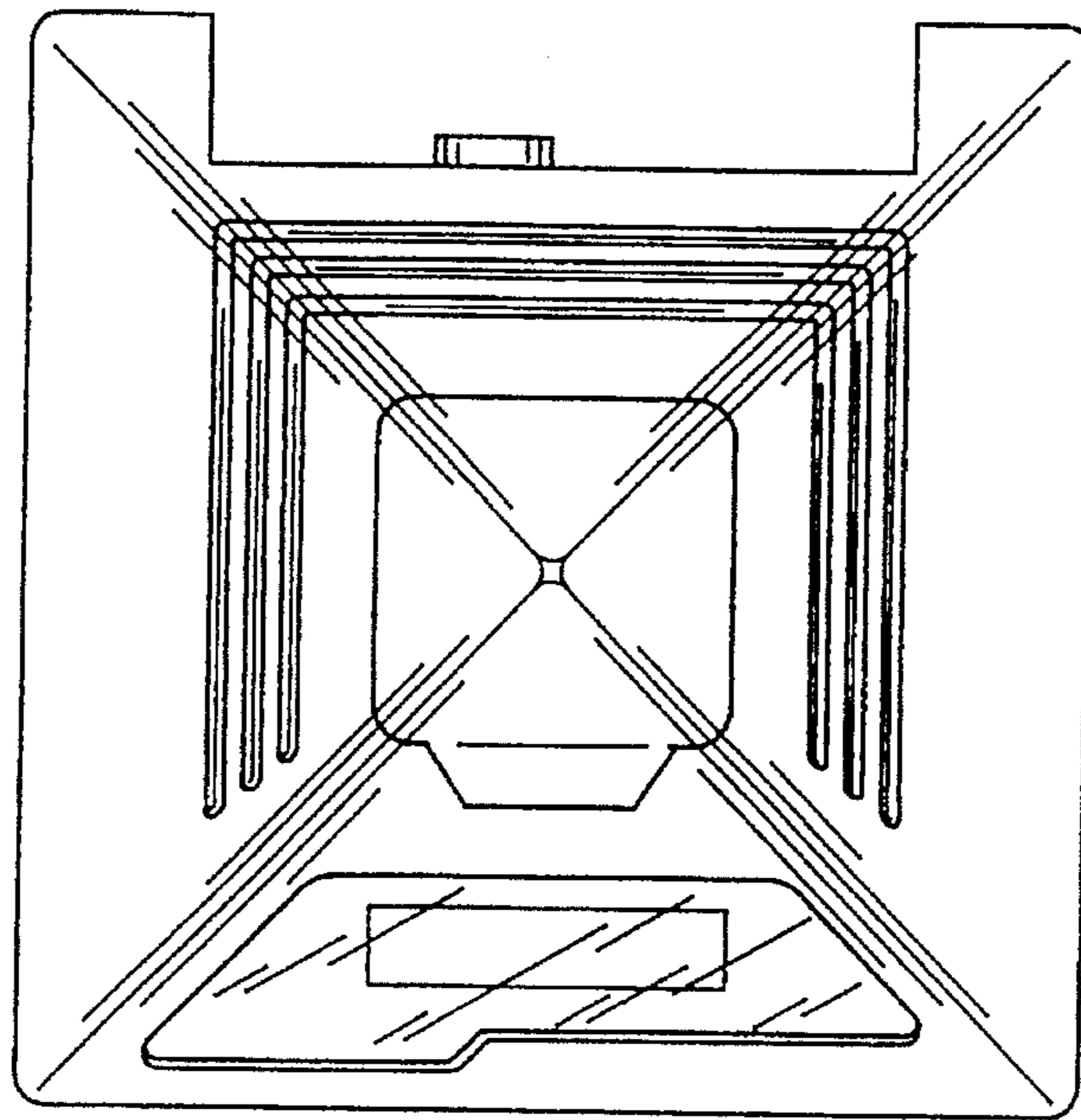


FIG. 6

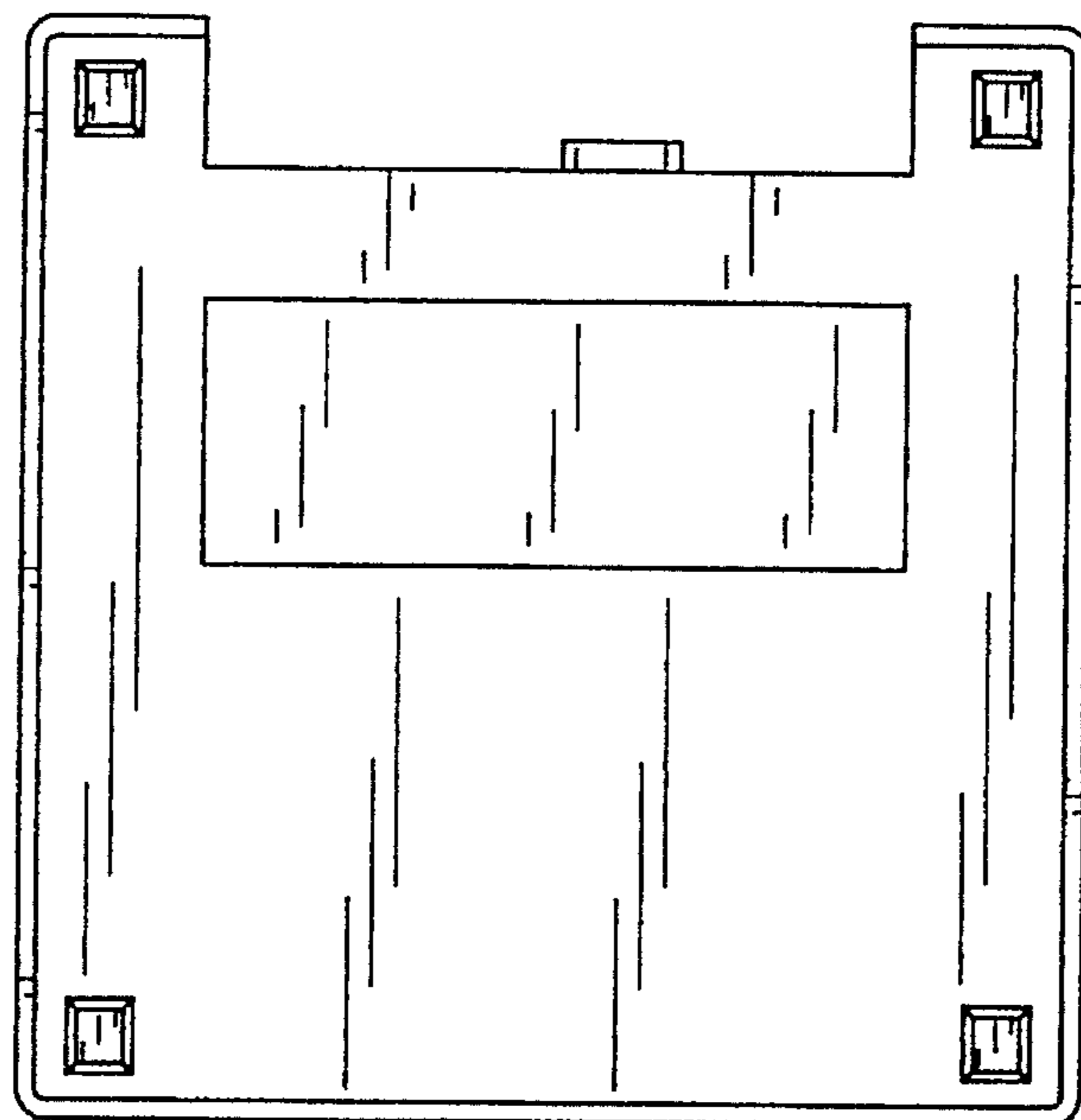


FIG. 7