



US00D376598S

United States Patent [19]

Hayashi

[11] Patent Number: **Des. 376,598**

[45] Date of Patent: ****Dec. 17, 1996**

[54] **HEADPHONE COMBINED WITH MICROPHONE**

[75] Inventor: **Haruo Hayashi**, Tokyo, Japan

[73] Assignee: **Sony Corporation**, Tokyo, Japan

[**] Term: **14 Years**

[21] Appl. No.: **43,819**

[22] Filed: **Sep. 13, 1995**

[52] U.S. Cl. **D14/206; D14/205**

[58] Field of Search **D14/137-138, D14/147-148, 192, 205-206, 223, 249; 181/129, 130, 137; 379/430, 431, 444; 381/25, 68, 74, 151, 158, 183, 187**

[56] **References Cited**

U.S. PATENT DOCUMENTS

D. 254,183	2/1980	Doodson	D14/205
D. 353,818	12/1994	Nakamura	D14/205
3,087,028	4/1963	Bonnin	379/430

FOREIGN PATENT DOCUMENTS

4019529	1/1991	Germany	181/137
---------	--------	---------	-------	---------

OTHER PUBLICATIONS

Hong Kong Enterprise Jun. 1991, p. 130, Headphone model No. SW 1100.

Primary Examiner—Sandra L. Morris

Assistant Examiner—Nanda Bondade
Attorney, Agent, or Firm—Foley & Lardner

[57] **CLAIM**

The ornamental design for a headphone combined with a microphone, as shown and described.

DESCRIPTION

FIG. 1 is a perspective view of a first embodiment of the headphone combined with a microphone showing my new design;

FIG. 2 is a top plan view thereof;

FIG. 3 is a front elevational view thereof;

FIG. 4 is a rear elevational view thereof;

FIG. 5 is a bottom plan view thereof;

FIG. 6 is a left side elevational view thereof;

FIG. 7 is a right side elevational view thereof;

FIG. 8 is a perspective view of a second embodiment of FIG. 1;

FIG. 9 is a top plan view thereof shown in FIG. 8;

FIG. 10 is a front elevational view thereof shown in FIG. 8;

FIG. 11 is a rear elevational view thereof shown in FIG. 8;

FIG. 12 is a bottom plan view thereof shown in FIG. 8;

FIG. 13 is a left side elevational view thereof shown in FIG. 8; and,

FIG. 14 is a right side elevational view thereof shown in FIG. 8.

1 Claim, 8 Drawing Sheets

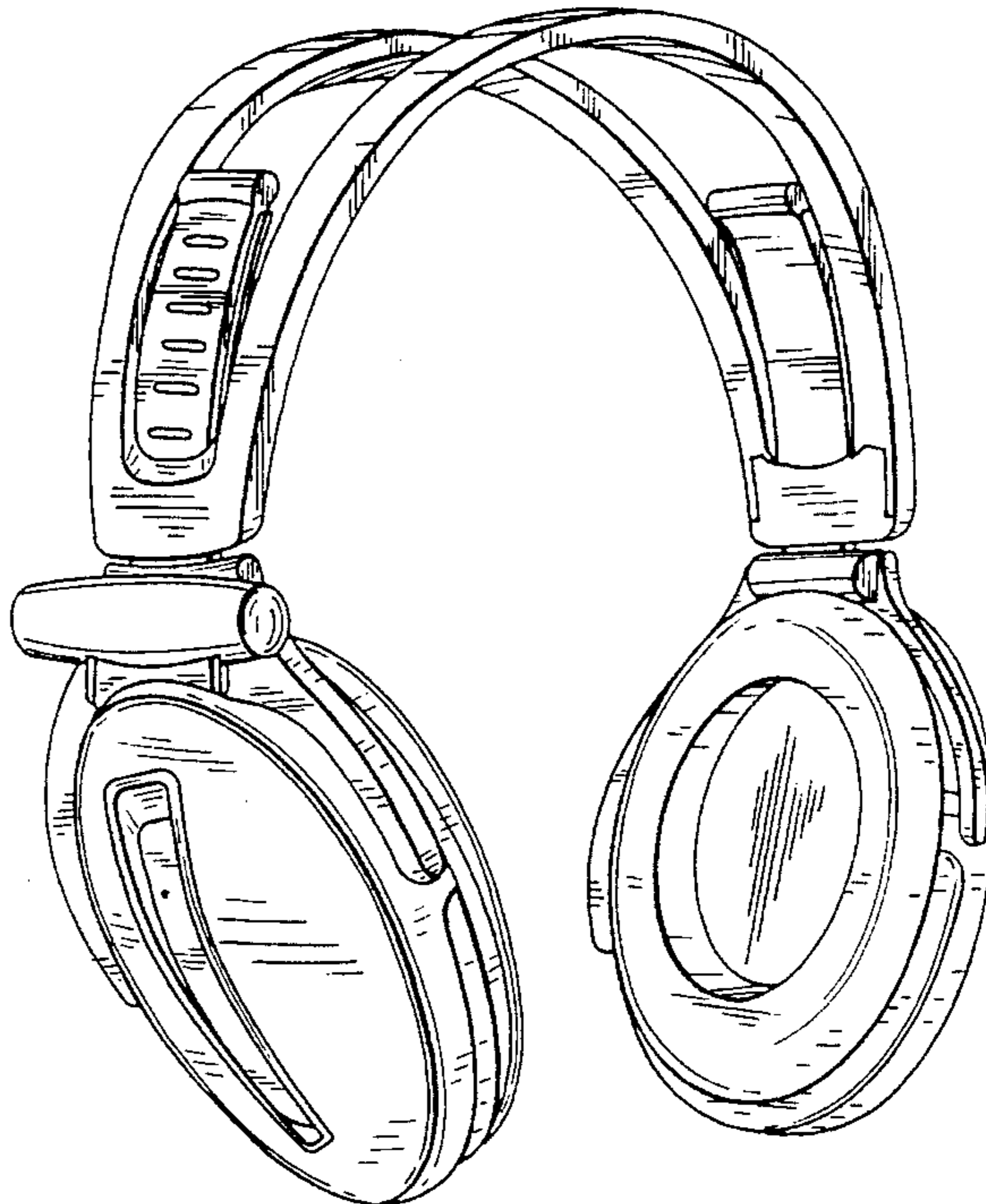
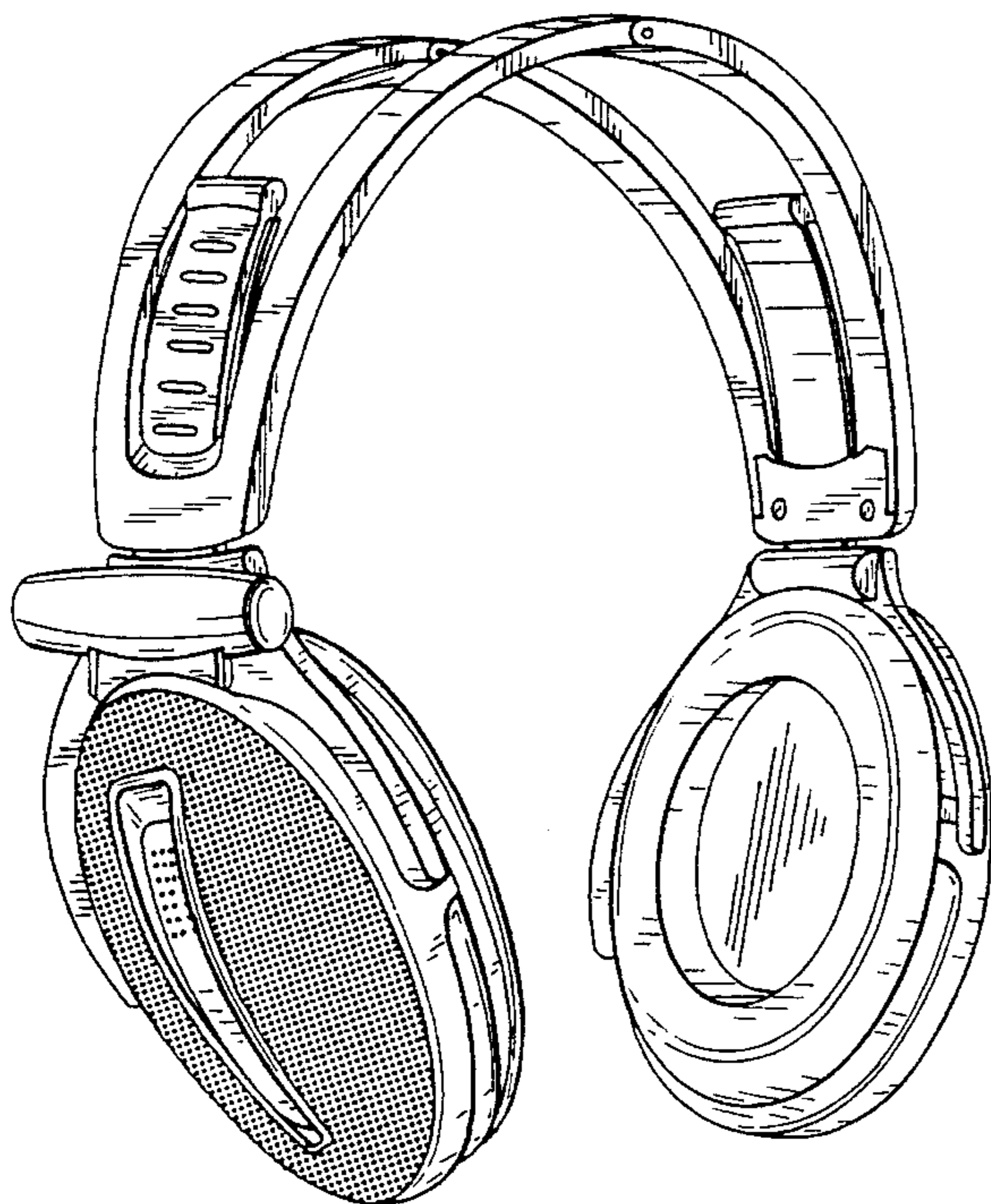


FIG. 1

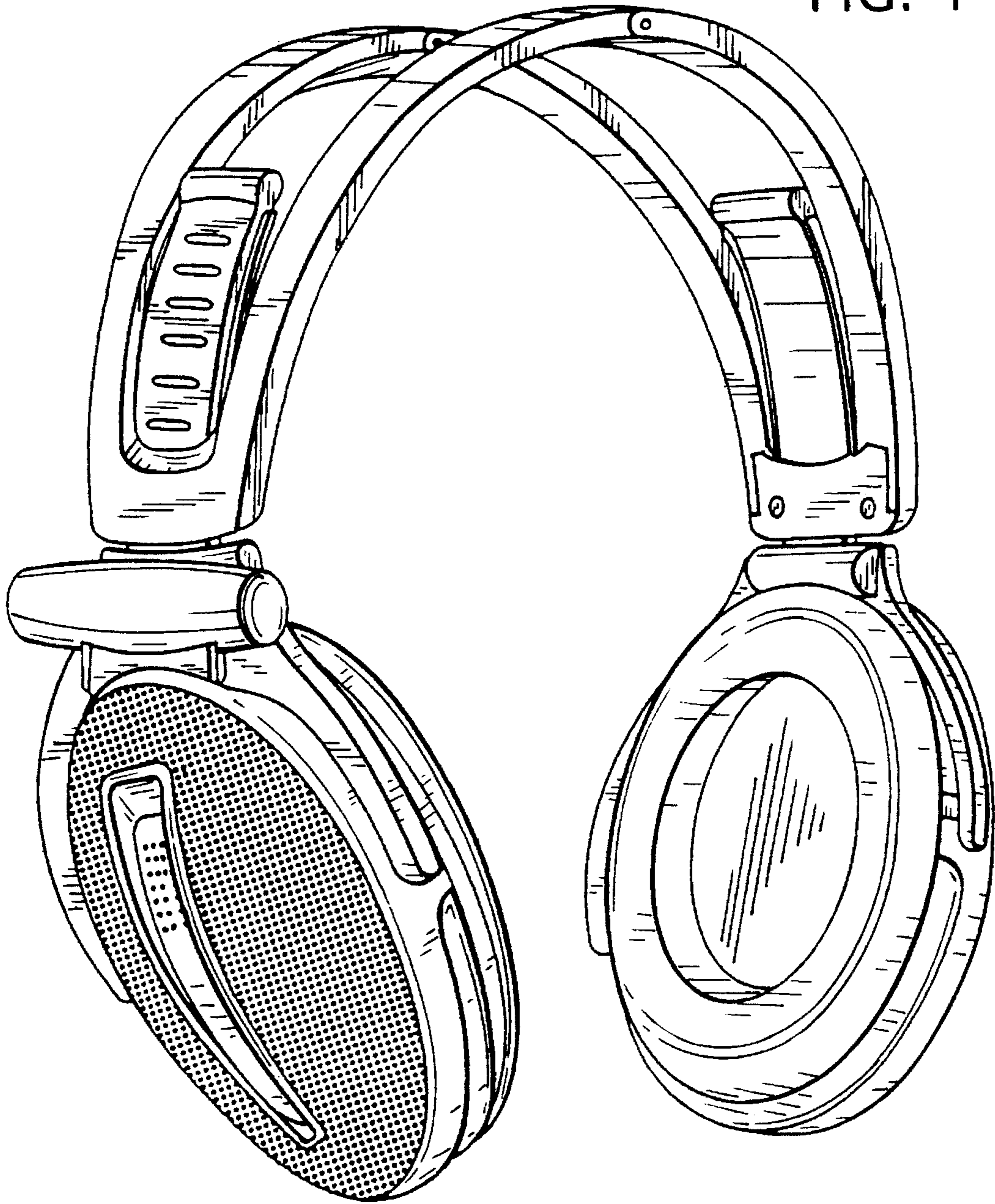


FIG. 2

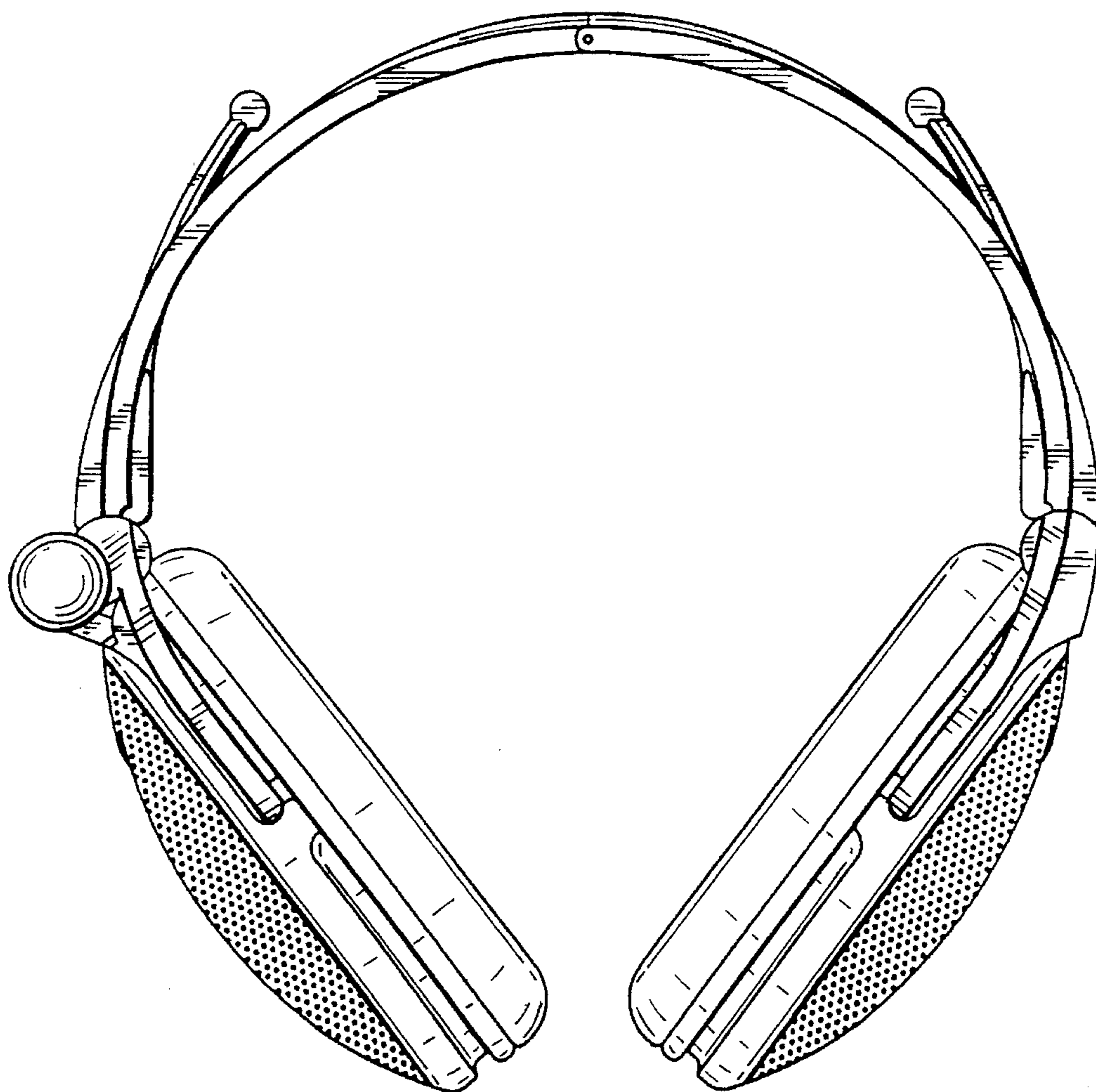
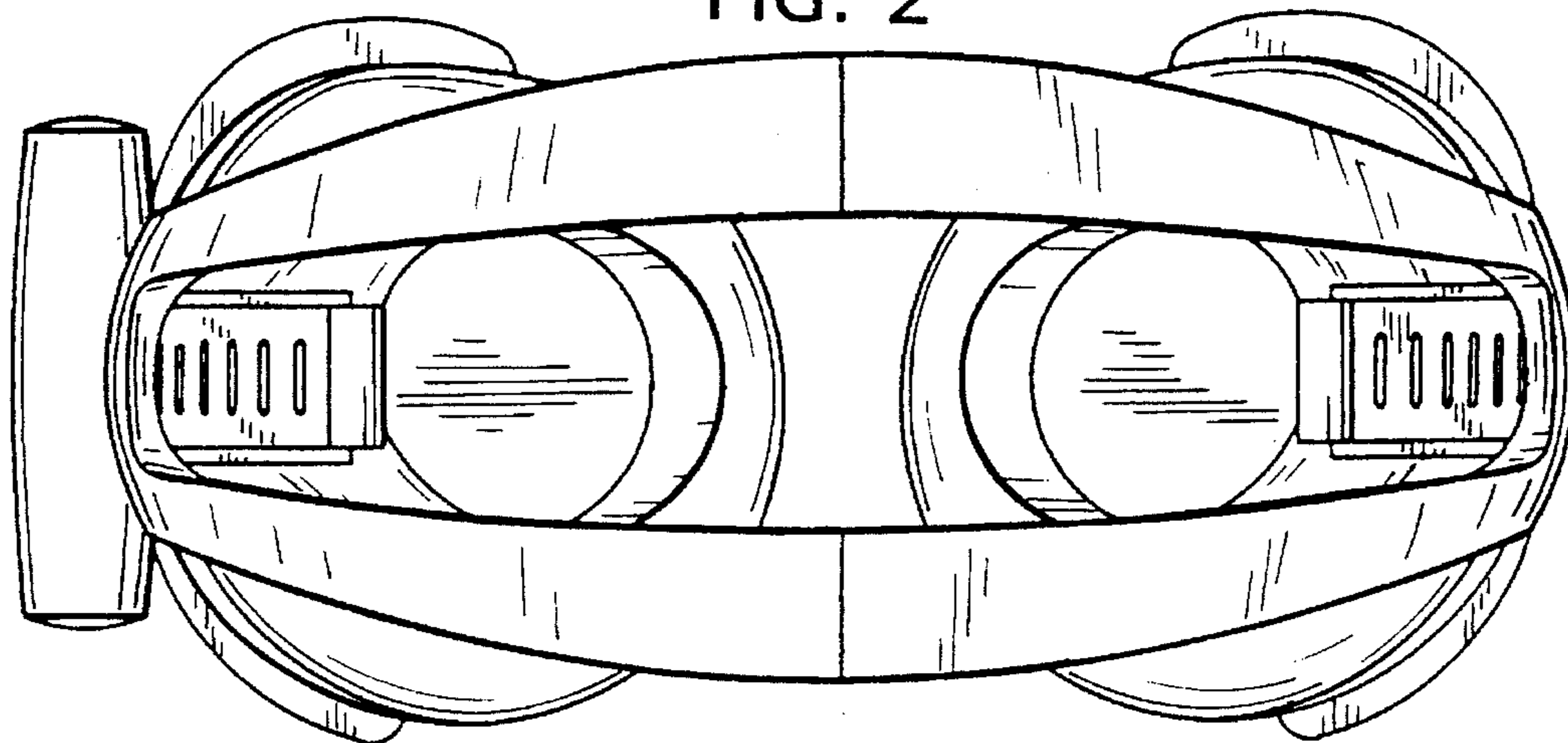


FIG. 3

FIG. 4

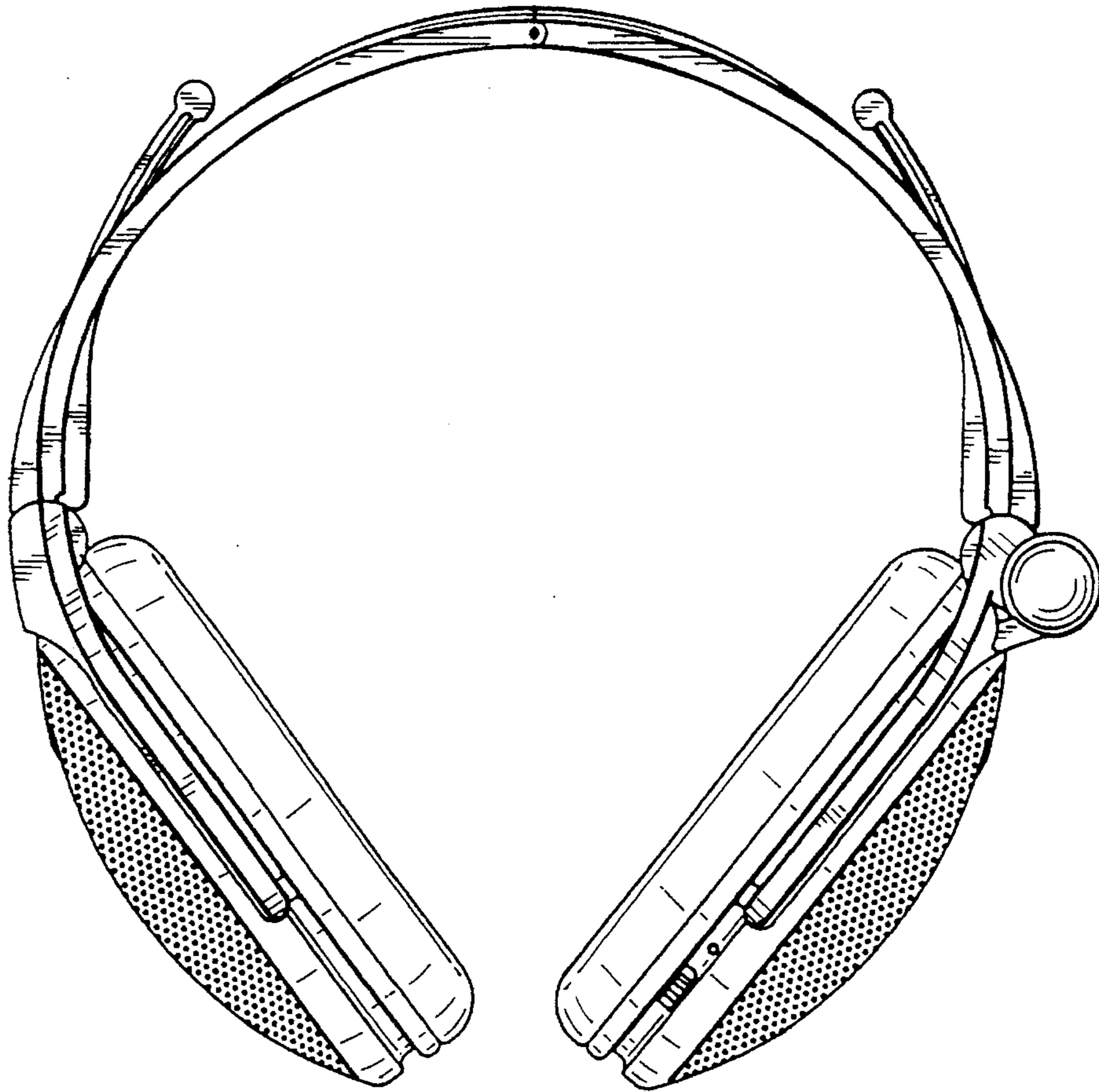


FIG. 5

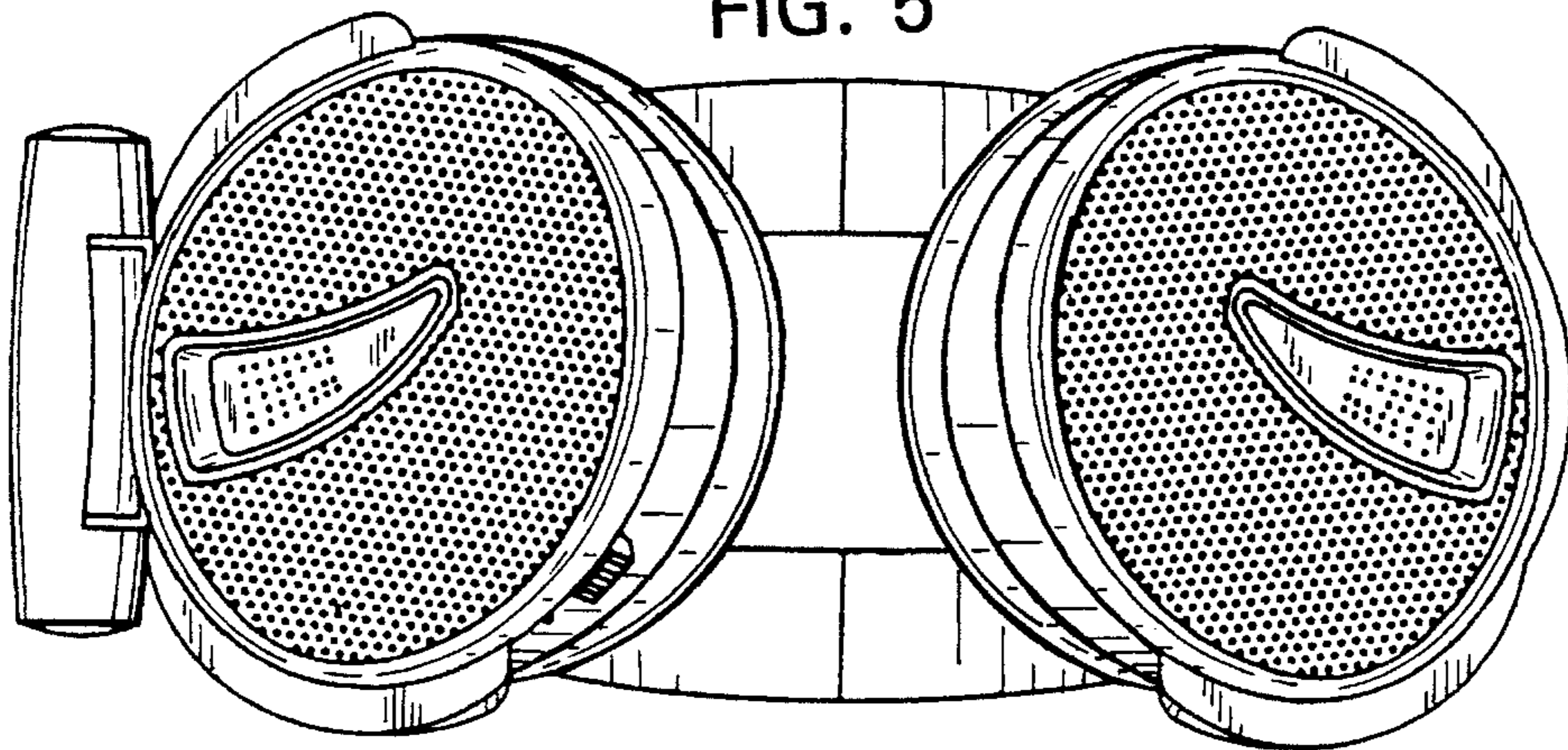


FIG. 6

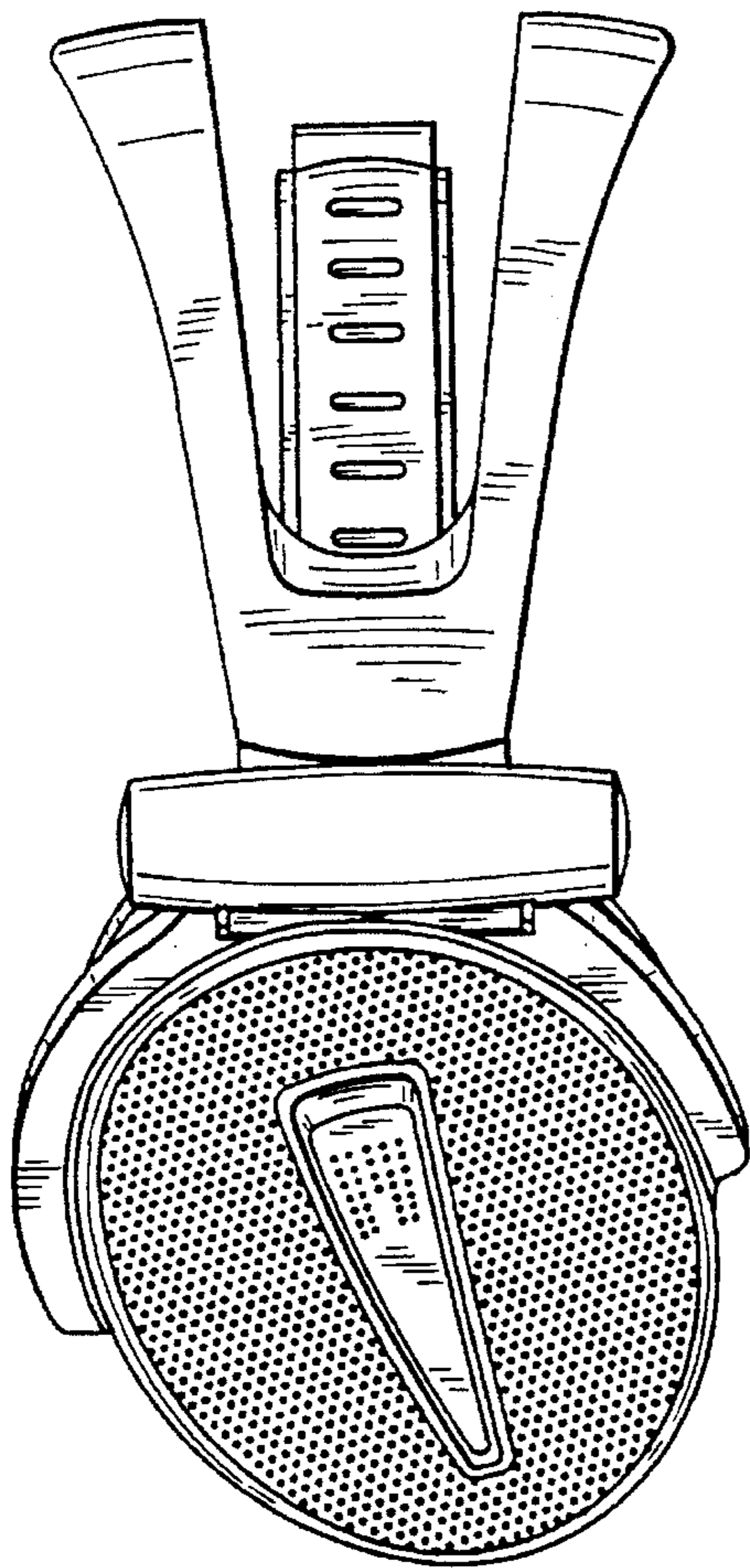
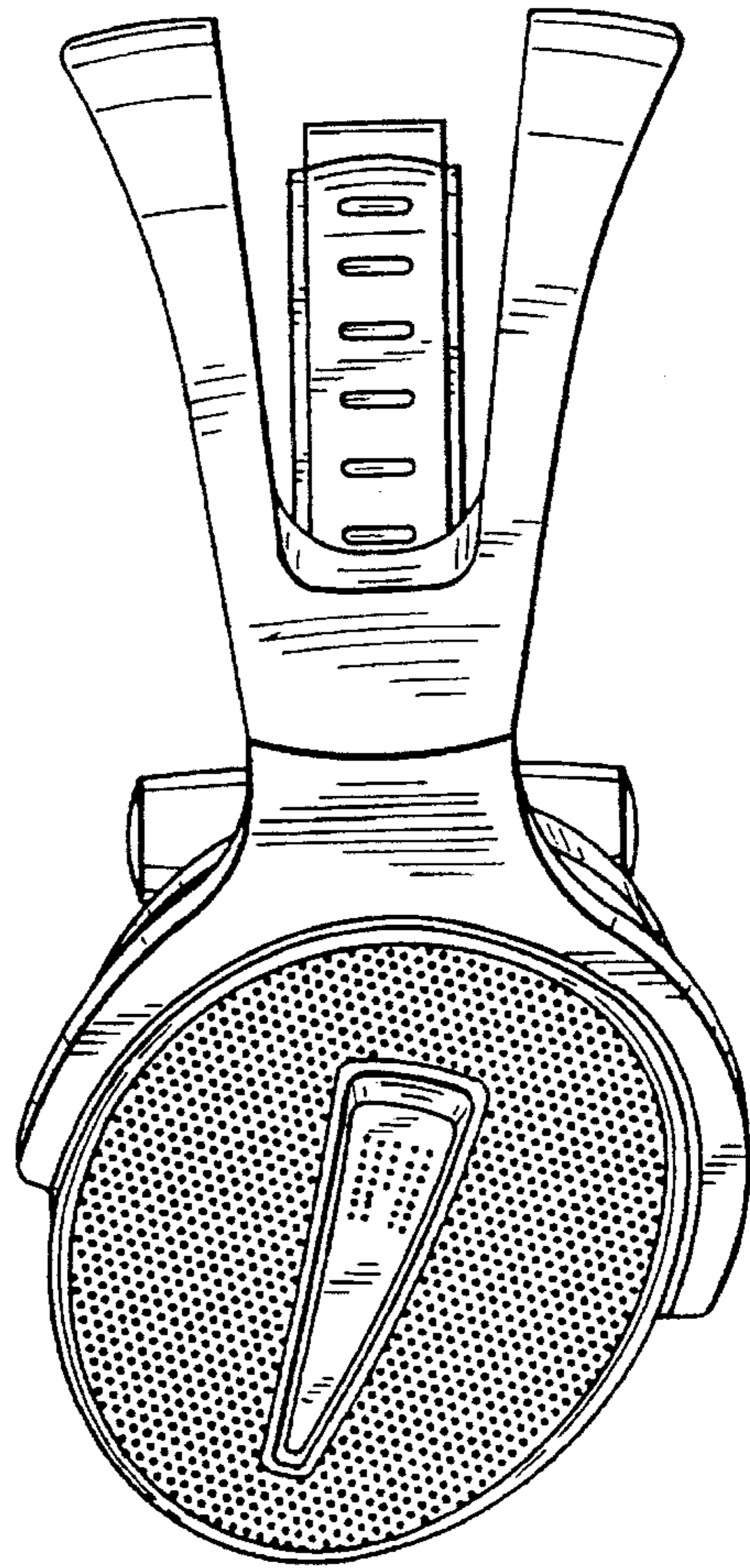


FIG. 7



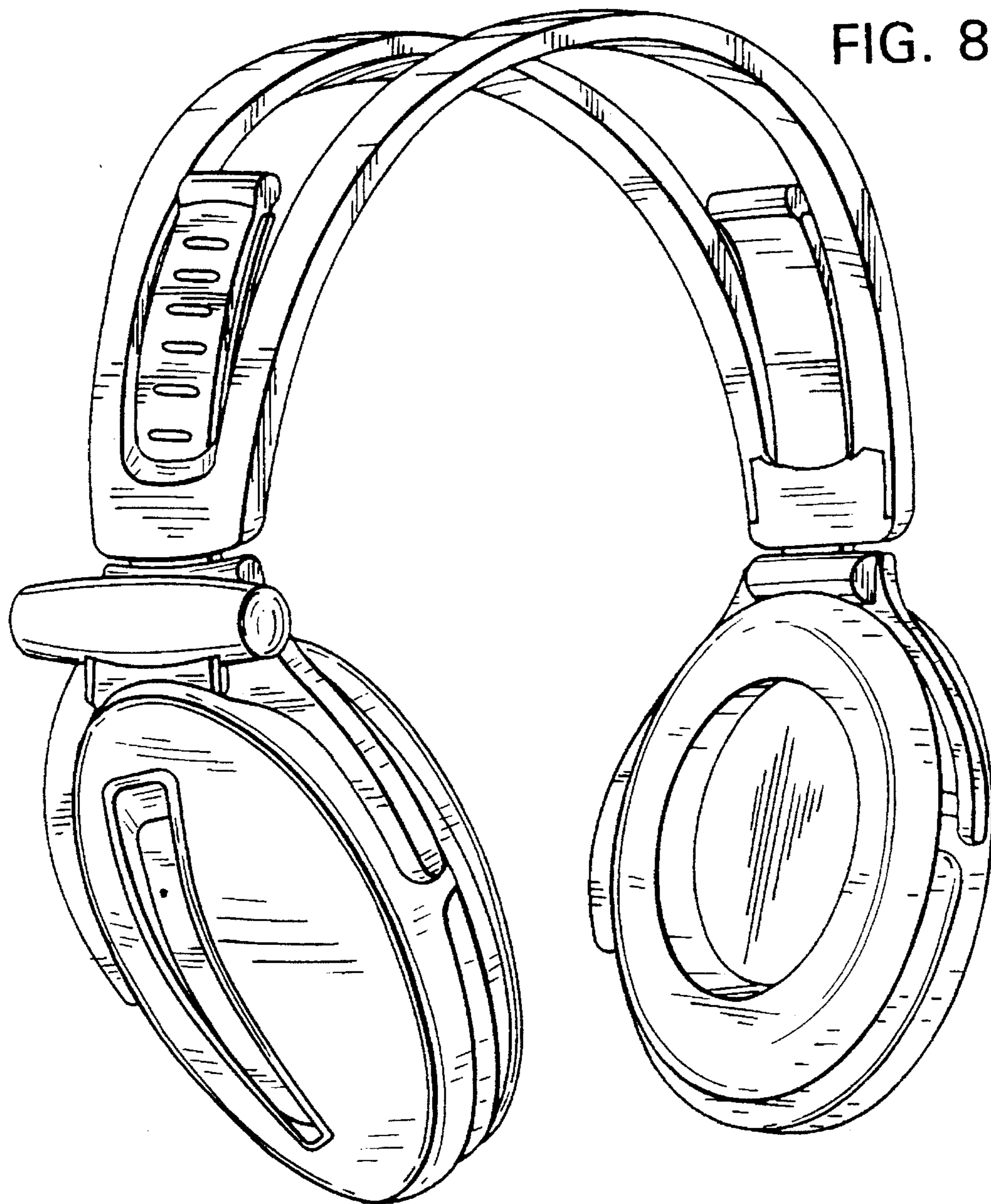


FIG. 8

FIG. 9

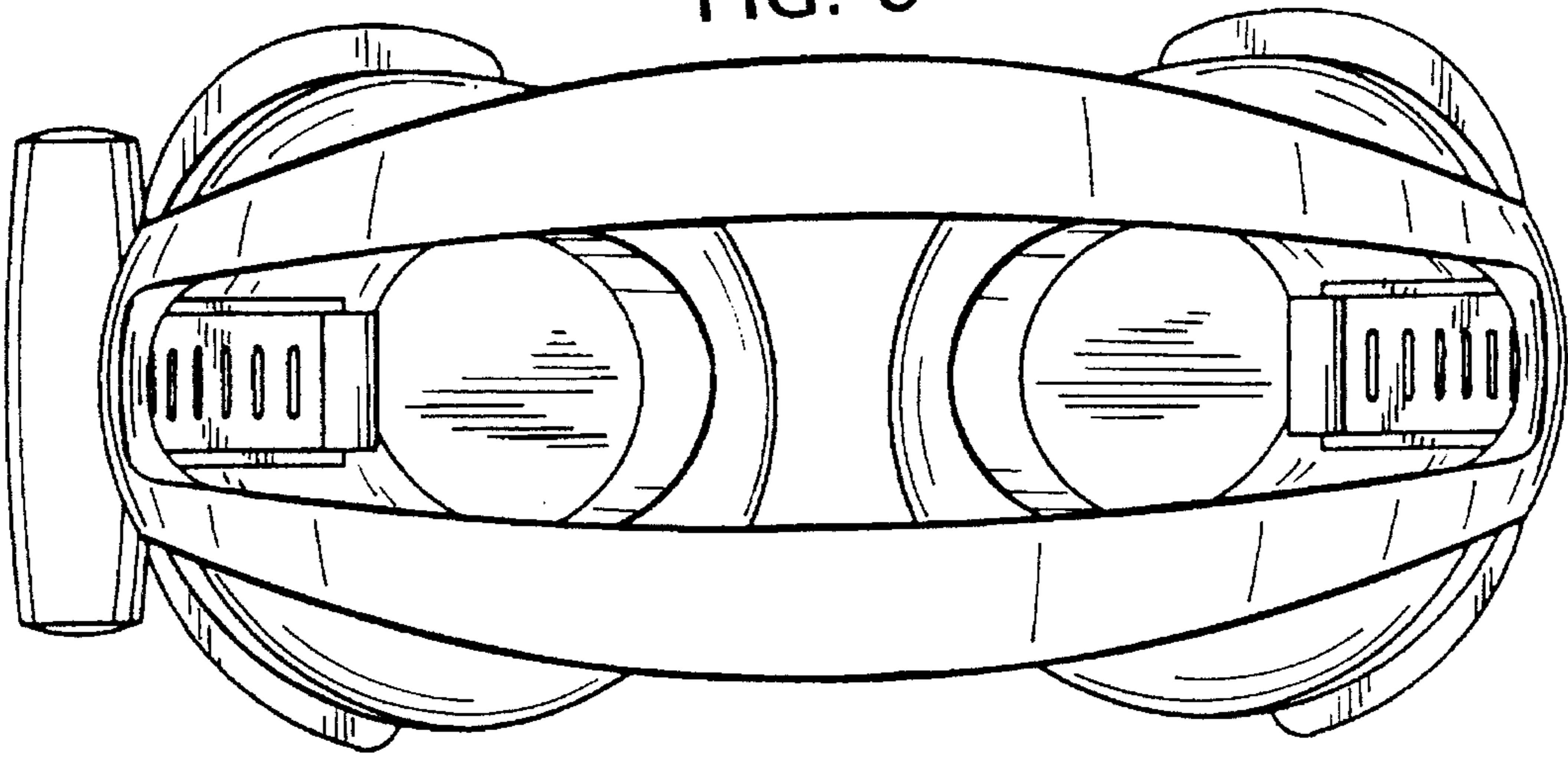


FIG. 10

FIG. 11



FIG. 12

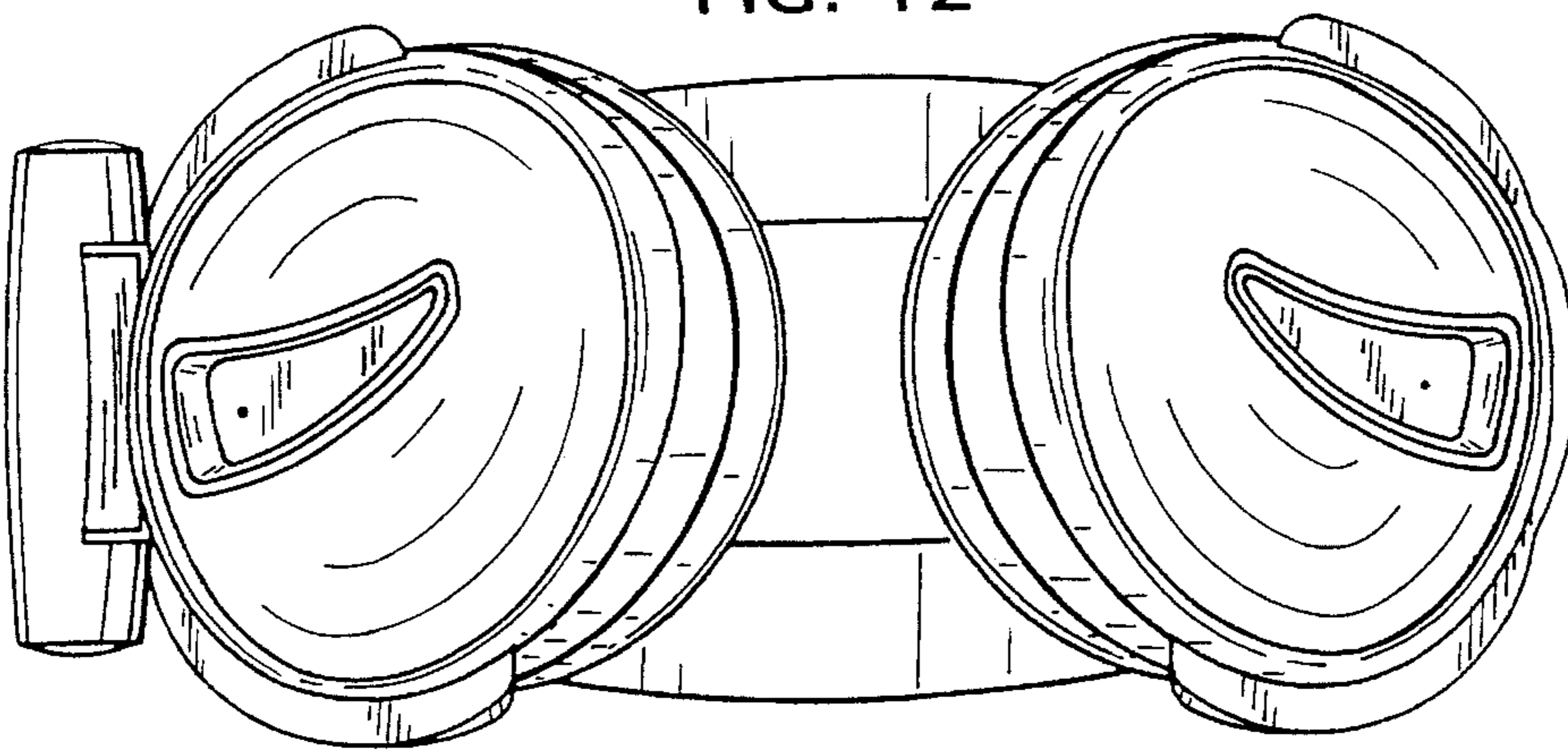


FIG. 13

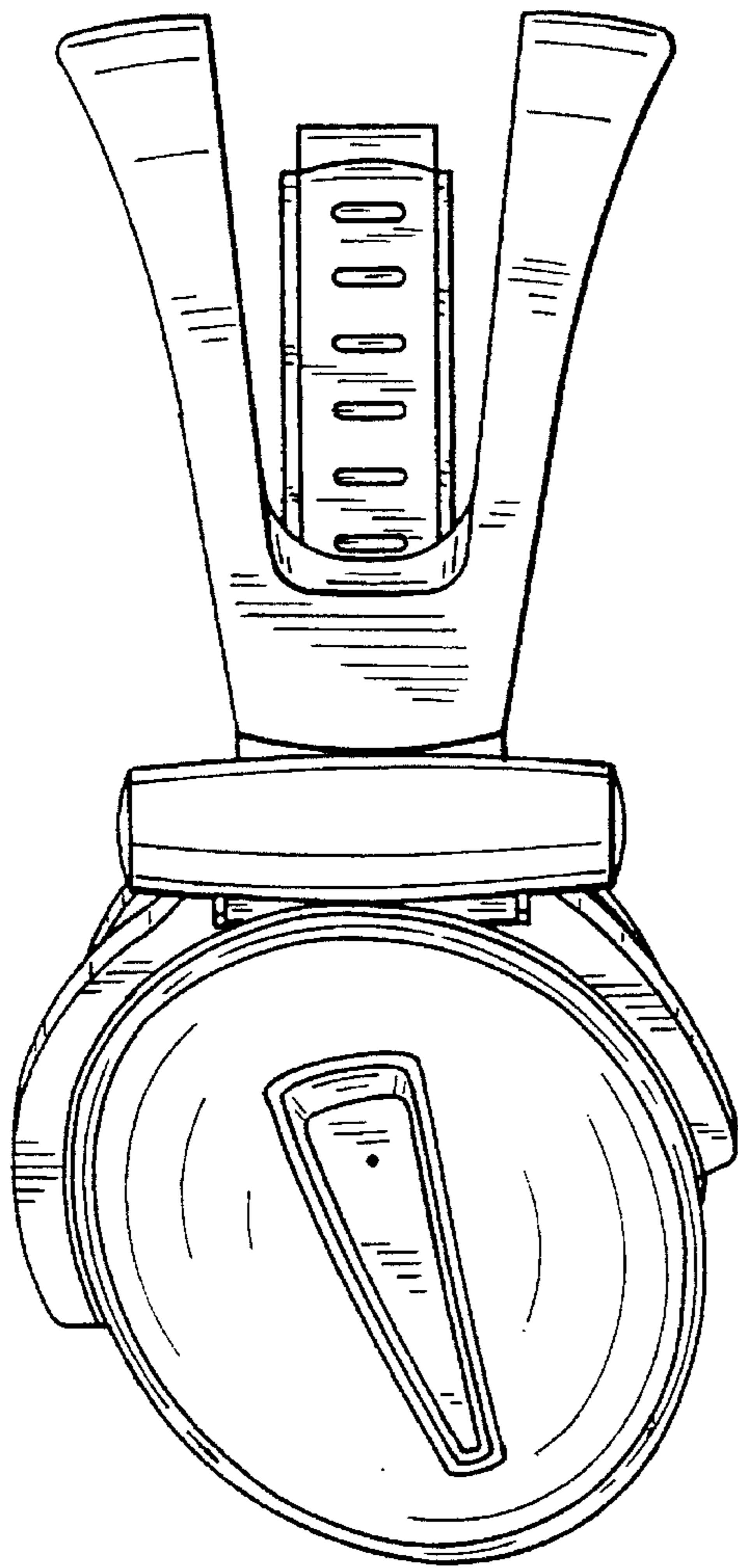


FIG. 14

